



US00D455226S

(12) **United States Design Patent**
McCurrach

(10) **Patent No.:** **US D455,226 S**

(45) **Date of Patent:** **** Apr. 2, 2002**

(54) **HAIR STYLER**

(75) **Inventor:** **Jamie Craig McCurrach**, Groningen (NL)

(73) **Assignee:** **U.S. Philips Corporation**, New York, NY (US)

(**) **Term:** **14 Years**

(21) **Appl. No.:** **29/146,616**

(22) **Filed:** **Aug. 13, 2001**

(30) **Foreign Application Priority Data**

Feb. 20, 2001 (XH) DMA/005 195

(51) **LOC (7) Cl.** **28-03**

(52) **U.S. Cl.** **D28/10; D28/35**

(58) **Field of Search** D28/10, 13, 15, D28/35; D4/100, 116, 128, 136; 132/212, 112-119, 119.1, 120, 122, 226-229, 265, 269, 271; 34/96-98; 392/379-380, 383-385; 219/222, 225

(56) **References Cited**

U.S. PATENT DOCUMENTS

- 3,563,250 A * 2/1971 DeFalandre 132/112
- D256,282 S * 8/1980 Haase D28/13
- 4,233,999 A * 11/1980 Thomas 132/232
- D258,015 S * 1/1981 Lam D28/35
- 4,641,010 A * 2/1987 Abura et al. 219/222

- 4,936,027 A * 6/1990 Tsuji 34/90
- 5,212,366 A * 5/1993 McDougall 219/222
- D418,249 S * 12/1999 Elkerbout D28/10
- D439,012 S * 3/2001 McCurrach D28/13
- D439,701 S * 3/2001 Engelen D28/13

FOREIGN PATENT DOCUMENTS

JP 6-38823 A * 2/1994 219/222

OTHER PUBLICATIONS

Hong Kong Enterprise Oct. 1997, p. 51: hair implements indicated by arrows.*

* cited by examiner

Primary Examiner—Ted Shooman

Assistant Examiner—C Tuttle

(74) *Attorney, Agent, or Firm*—Ernestine C. Bartlett

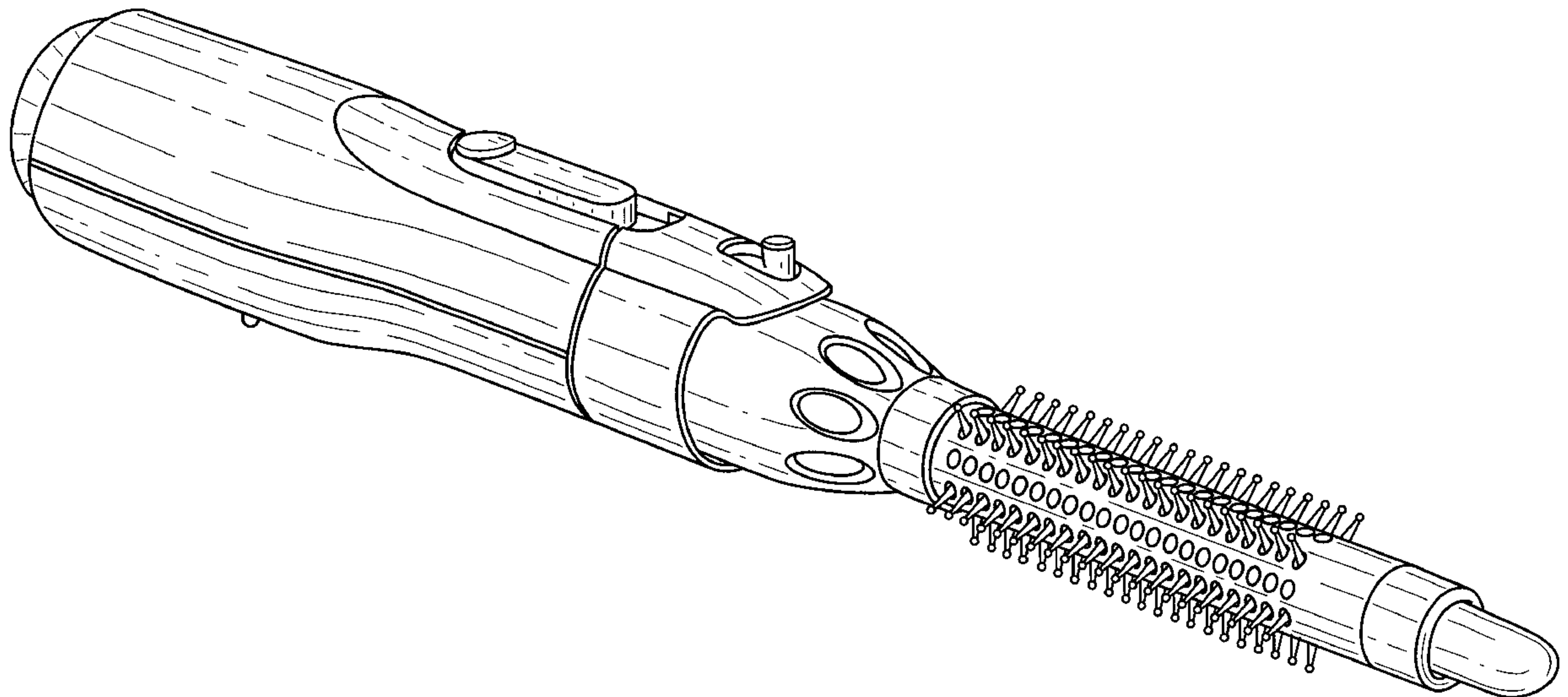
(57) **CLAIM**

The ornamental design for a hair styler, as shown.

DESCRIPTION

FIG. 1 is a perspective view showing my design; FIG. 2 is a front elevational view thereof; FIG. 3 is a rear elevational view thereof; FIG. 4 is a right side elevational view thereof; FIG. 5 is a left side elevational view thereof; FIG. 6 is a top plan view thereof; and, FIG. 7 is a bottom plan view thereof.

1 Claim, 6 Drawing Sheets



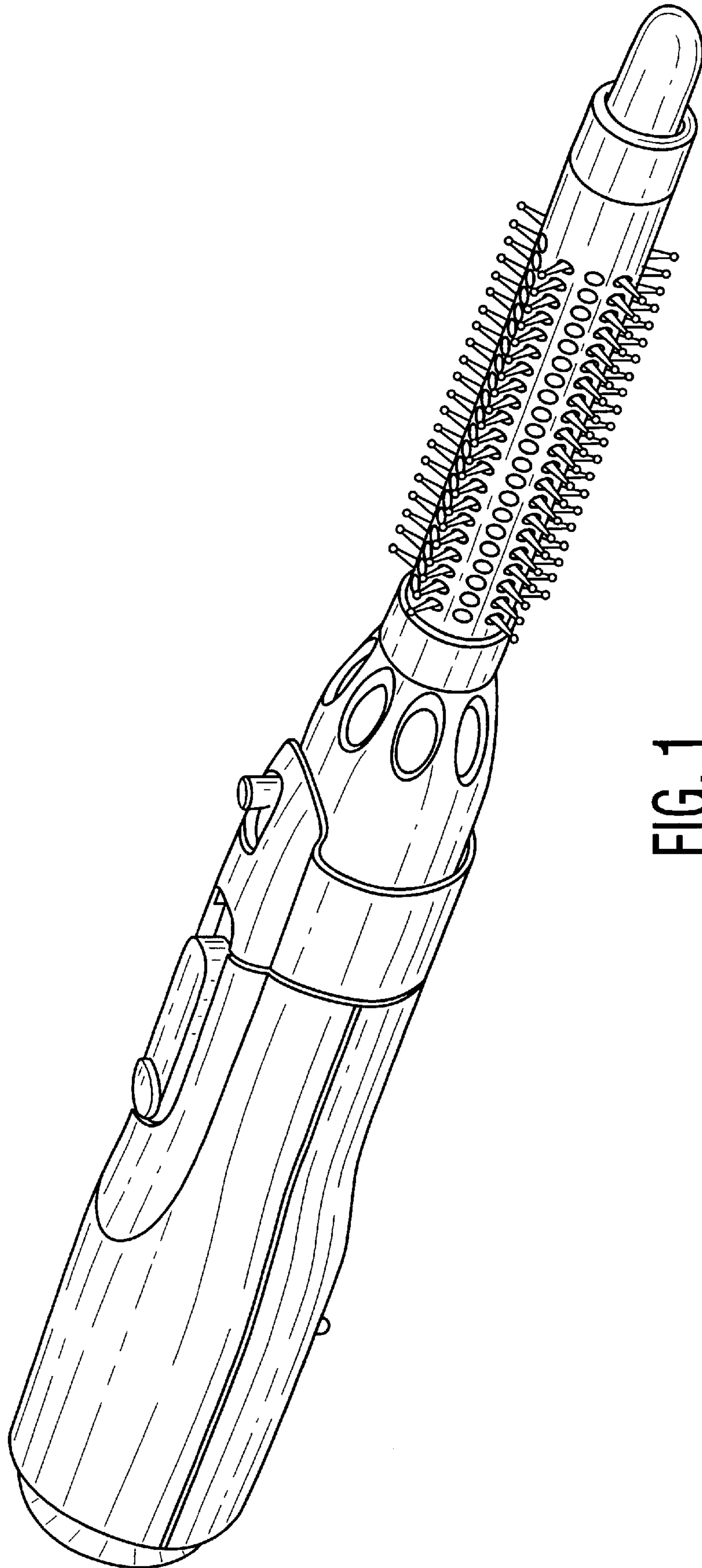


FIG. 1

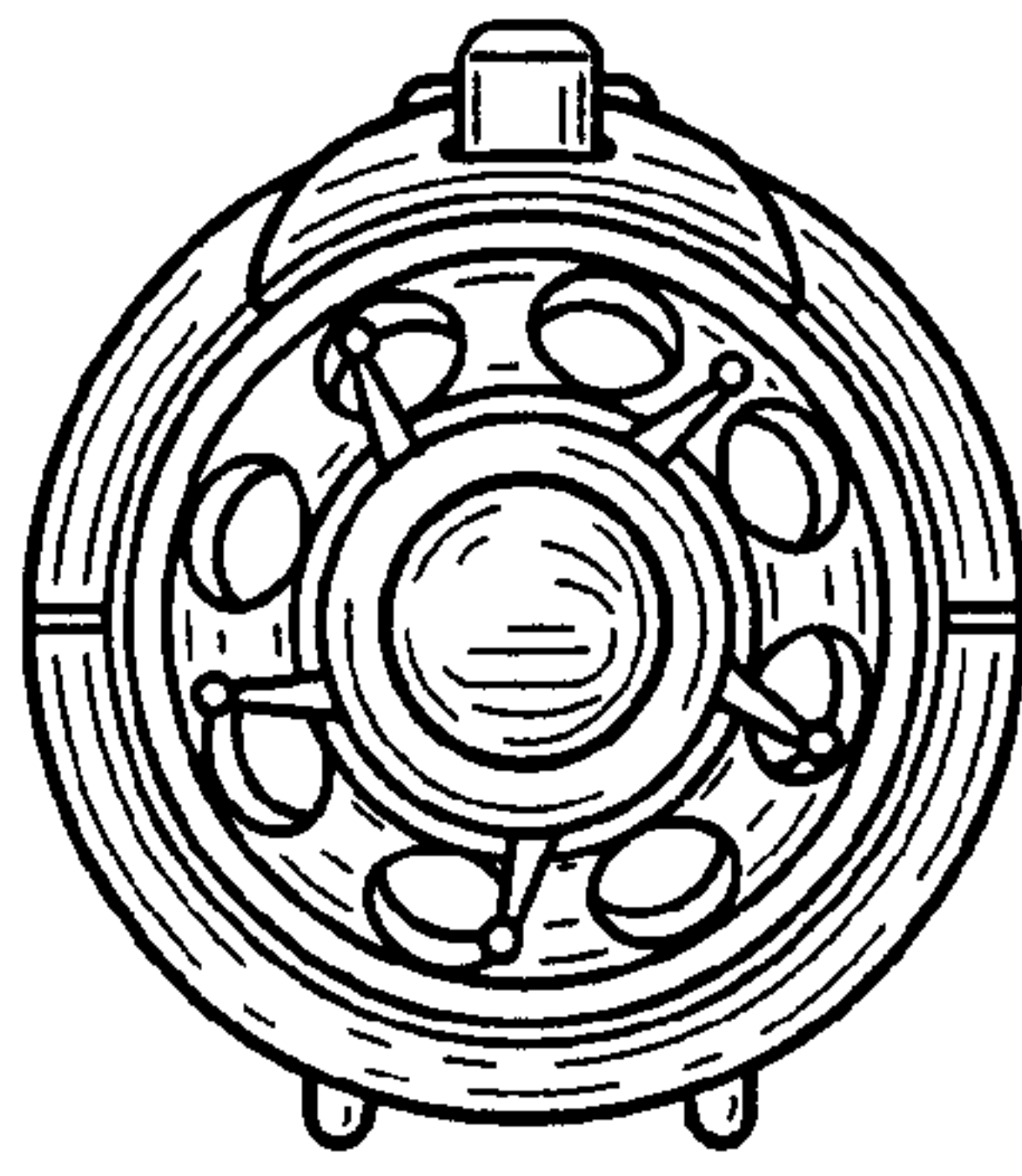


FIG. 2

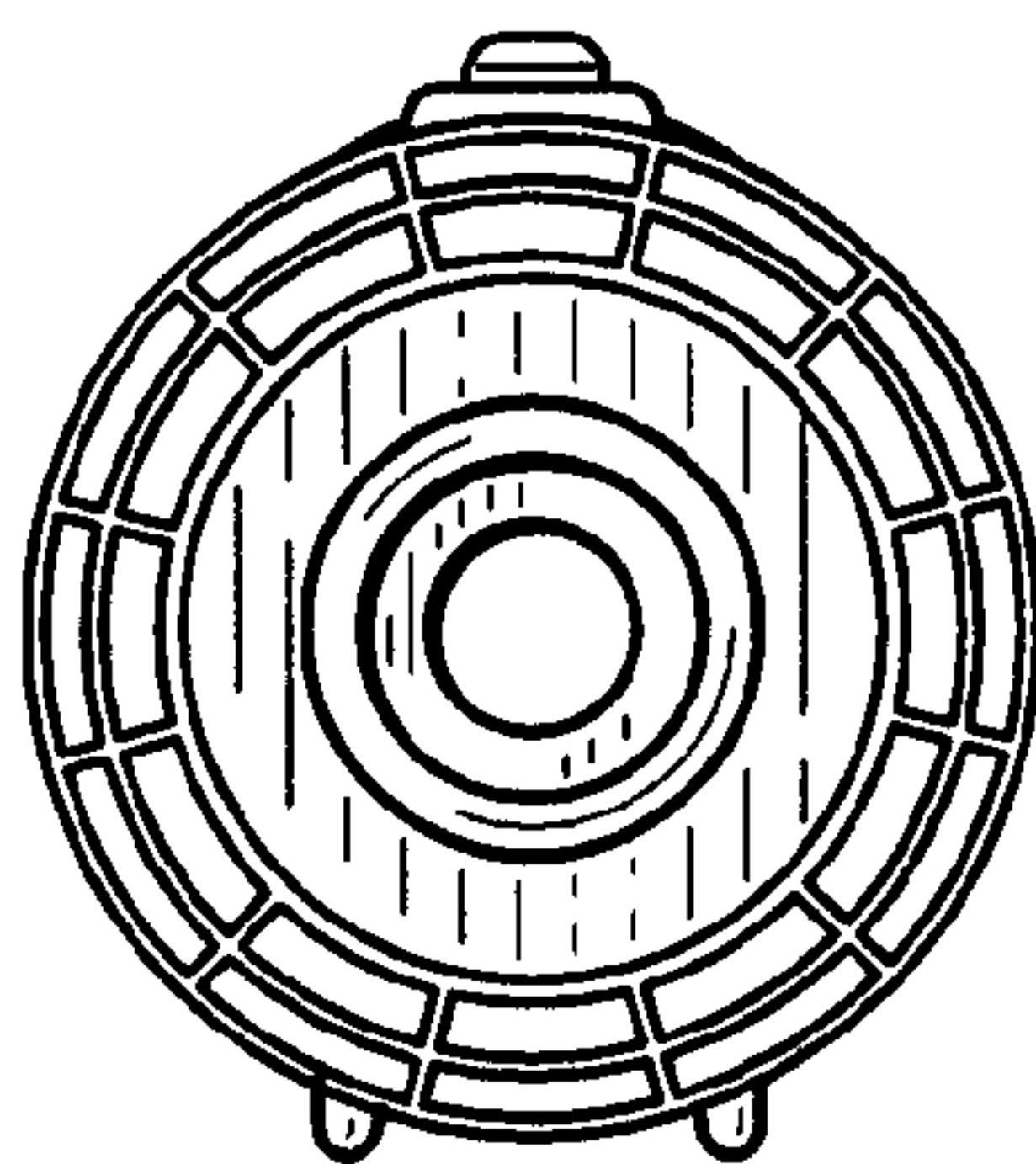


FIG. 3

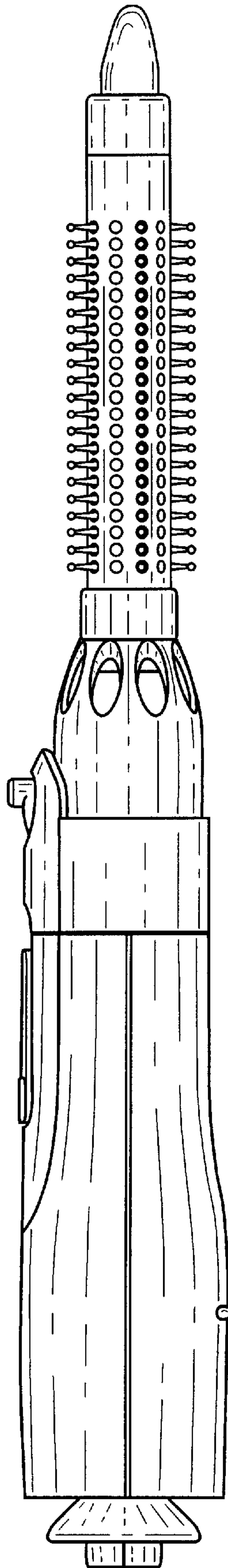


FIG. 4

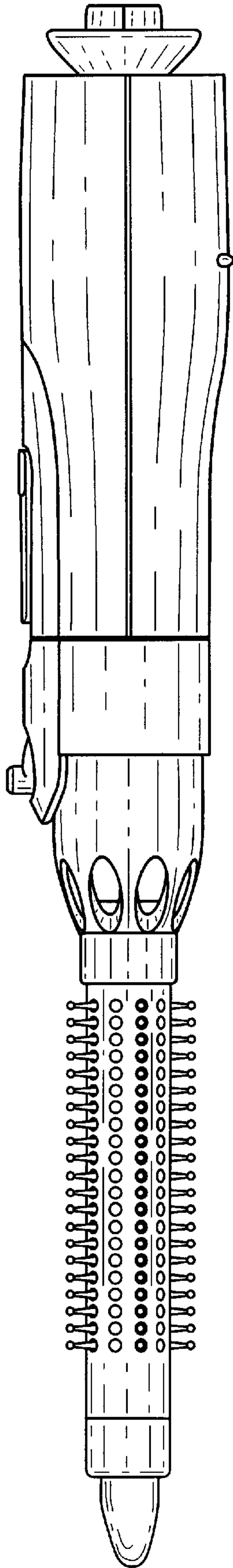


FIG. 5

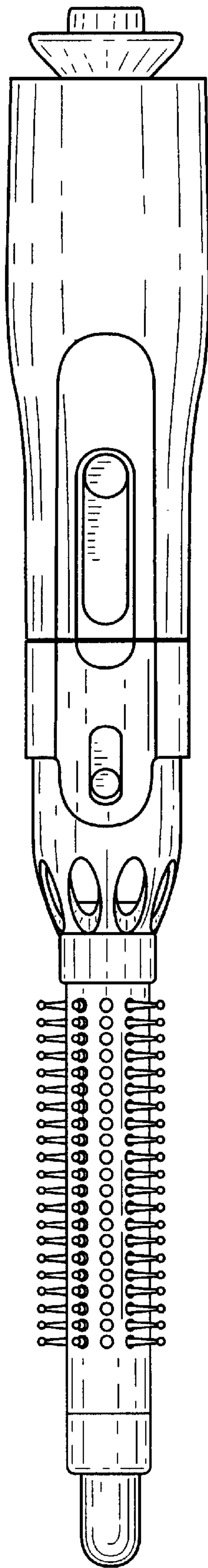


FIG. 6

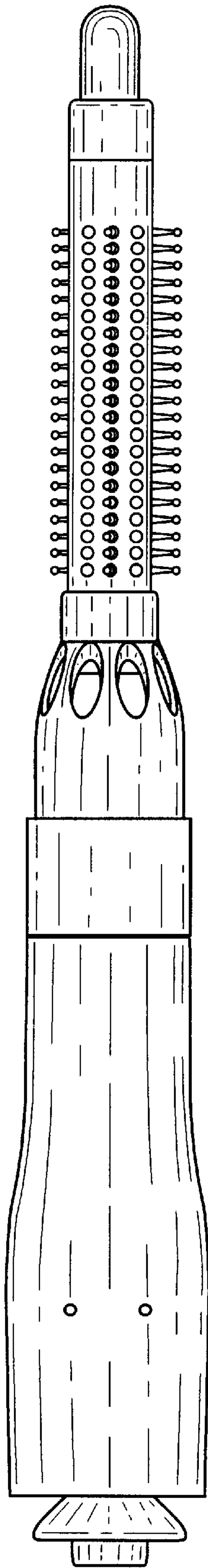


FIG. 7