



US00D455216S

(12) **United States Design Patent**  
**Fenstermacher**

(10) **Patent No.:** **US D455,216 S**

(45) **Date of Patent:** **\*\* Apr. 2, 2002**

(54) **CRASH RAIL**

(75) **Inventor:** **James G. Fenstermacher**, Hughesville, PA (US)

(73) **Assignee:** **Construction Specialties, Inc.**, Lebanon, NJ (US)

(\*\*) **Term:** **14 Years**

(21) **Appl. No.:** **29/135,606**

(22) **Filed:** **Jan. 16, 2001**

(51) **LOC (7) Cl.** ..... **25-02**

(52) **U.S. Cl.** ..... **D25/38**

(58) **Field of Search** ..... D25/38, 119; 256/59, 256/65

(56) **References Cited**

**U.S. PATENT DOCUMENTS**

4,196,552 A \* 4/1980 Bartlett ..... 256/59  
D301,623 S \* 6/1989 Gosjean ..... D25/119

**OTHER PUBLICATIONS**

Excerpt from 1999 catalog of C.S. Steel SA for Acrovyn®.  
2000 Catalog of C/S Group for C/S Acrovyn®.  
1999 Catalog of SPM (French language).

\* cited by examiner

*Primary Examiner*—Doris Clark  
(74) *Attorney, Agent, or Firm*—Baker Botts LLP

(57) **CLAIM**

The ornamental design for a crash rail, as shown and described.

**DESCRIPTION**

The file of this design patent contains color computer-generated renderings. Copies of this design patent with color renderings will be provided by the Patent and Trademark Office upon request and payment of the necessary fee.

FIG. 1 is an end cross-sectional view, which shows the outer contours of the rail bodies of the embodiments of a crash rail according to the new design that are shown in FIGS. 2 to 7; FIG. 2 is a three-quarter front perspective view of the left end portion of a first embodiment, taken from a viewpoint to the left and below, and is also a mirror image of the right end portion; the length of the handrails of all embodiments is variable;

FIG. 3 is a three-quarter front perspective view of the left end portion of the first embodiment, taken from a viewpoint to the left and above, and is also a mirror image of the right end portion;

FIG. 4 is a three-quarter front perspective view of the left end portion of the first embodiment, taken from a viewpoint to the left and slightly above, and is also a mirror image of the right end portion;

FIG. 5 is a three-quarter front perspective view of the left end portion of a second embodiment, taken from a viewpoint to the left and slightly above, and is also a mirror image of the right end portion;

FIG. 6 is a three-quarter front perspective view of a left end portion of a third embodiment, taken from a viewpoint to the left and slightly above, and is also a mirror image of the right end portion;

FIG. 7 is a three-quarter front perspective view of the left end portion of a fourth embodiment, taken from a viewpoint to the left and slightly above, and is also a mirror image of the right end portion;

FIG. 8 is an end cross-sectional view, which shows the outer contours of the rail bodies of the embodiments of a crash rail according to the new design that are shown in FIGS. 9 to 14; FIG. 9 is a three-quarter front perspective view of the left end portion of a fifth embodiment, taken from a viewpoint to the left and below, and is also a mirror image of the right end portion;

FIG. 10 is a three-quarter front perspective view of the left end portion of the fifth embodiment, taken from a viewpoint to the left and above, and is also a mirror image of the right end portion;

FIG. 11 is a three-quarter front perspective view of the left end portion of the fifth embodiment, taken from a viewpoint to the left and slightly above, and is also a mirror image of the right end portion;

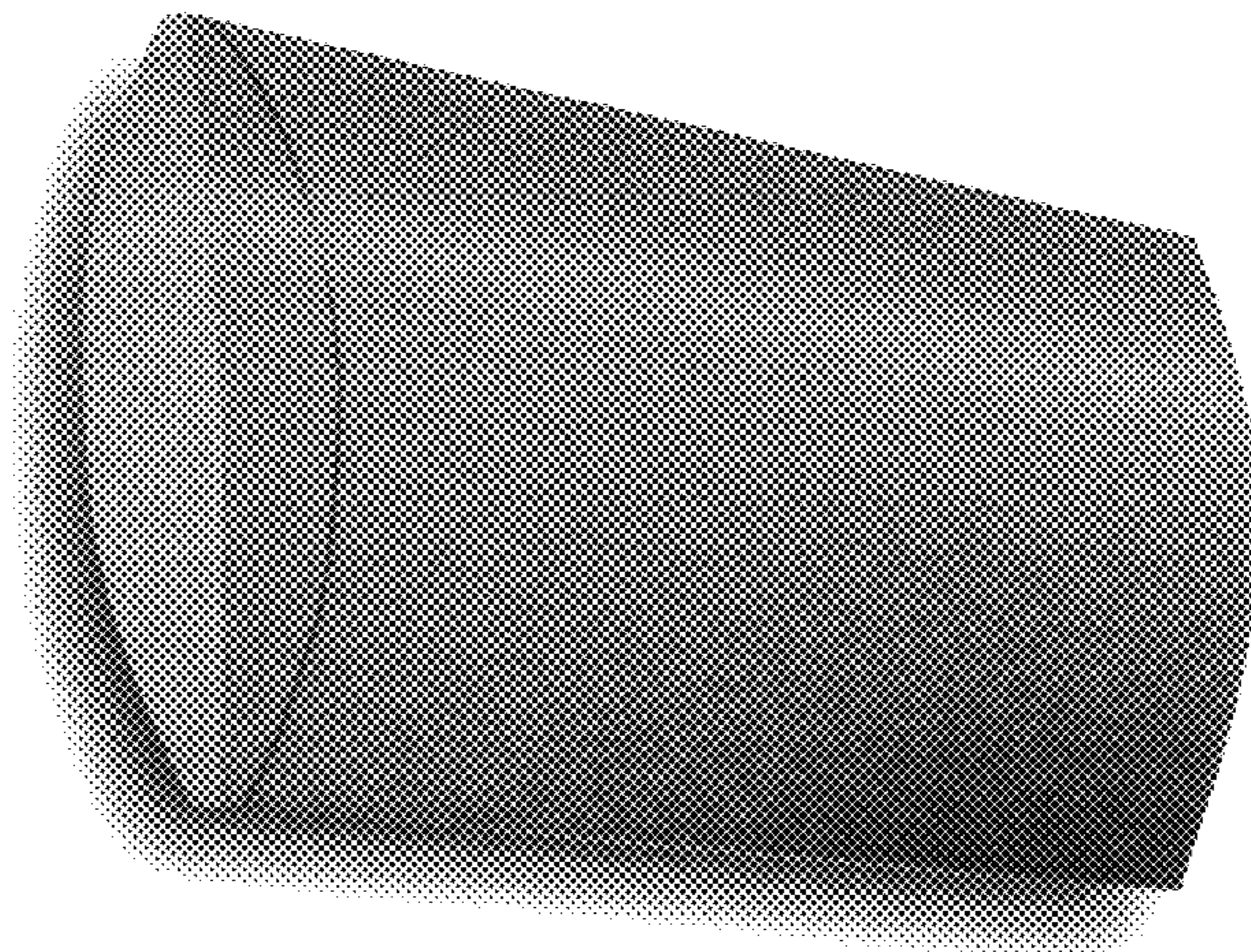


FIG. 12 is a three-quarter front perspective view of the left end portion of a sixth embodiment, taken from a viewpoint to the left and slightly above, and is also a mirror image of the right end portion;

FIG. 13 is a three-quarter front perspective view of a left end portion of a seventh embodiment, taken from a viewpoint to the left and slightly above, and is also a mirror image of the right end portion; and,

FIG. 14 is a three-quarter front perspective view of the left end portion of an eighth embodiment, taken from a viewpoint to the left and slightly above, and is also a mirror image of the right end portion.

**1 Claim, 8 Drawing Sheets**

**(8 of 8 Drawing Sheet(s) Filed in Color)**

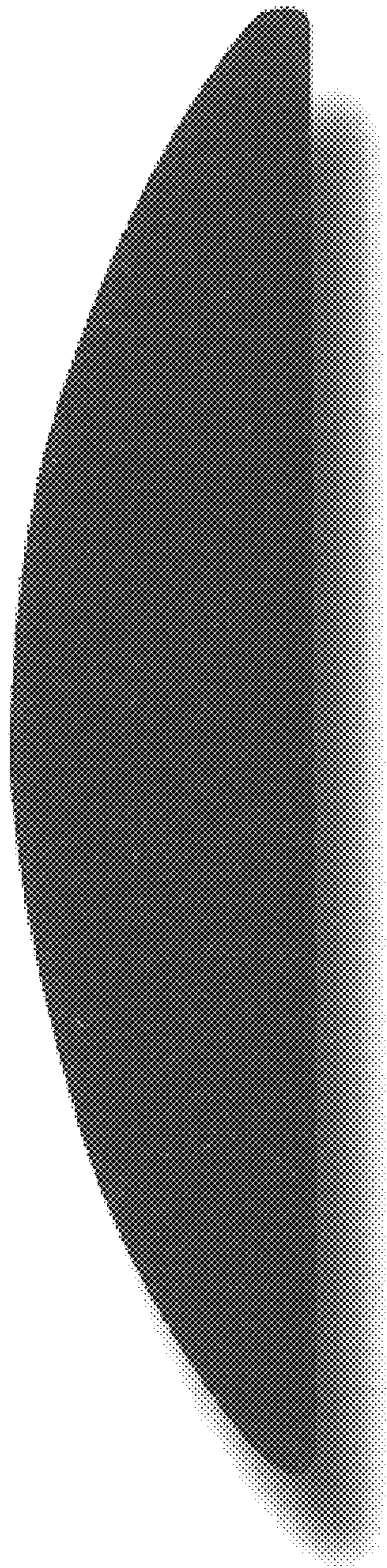


FIG. 1

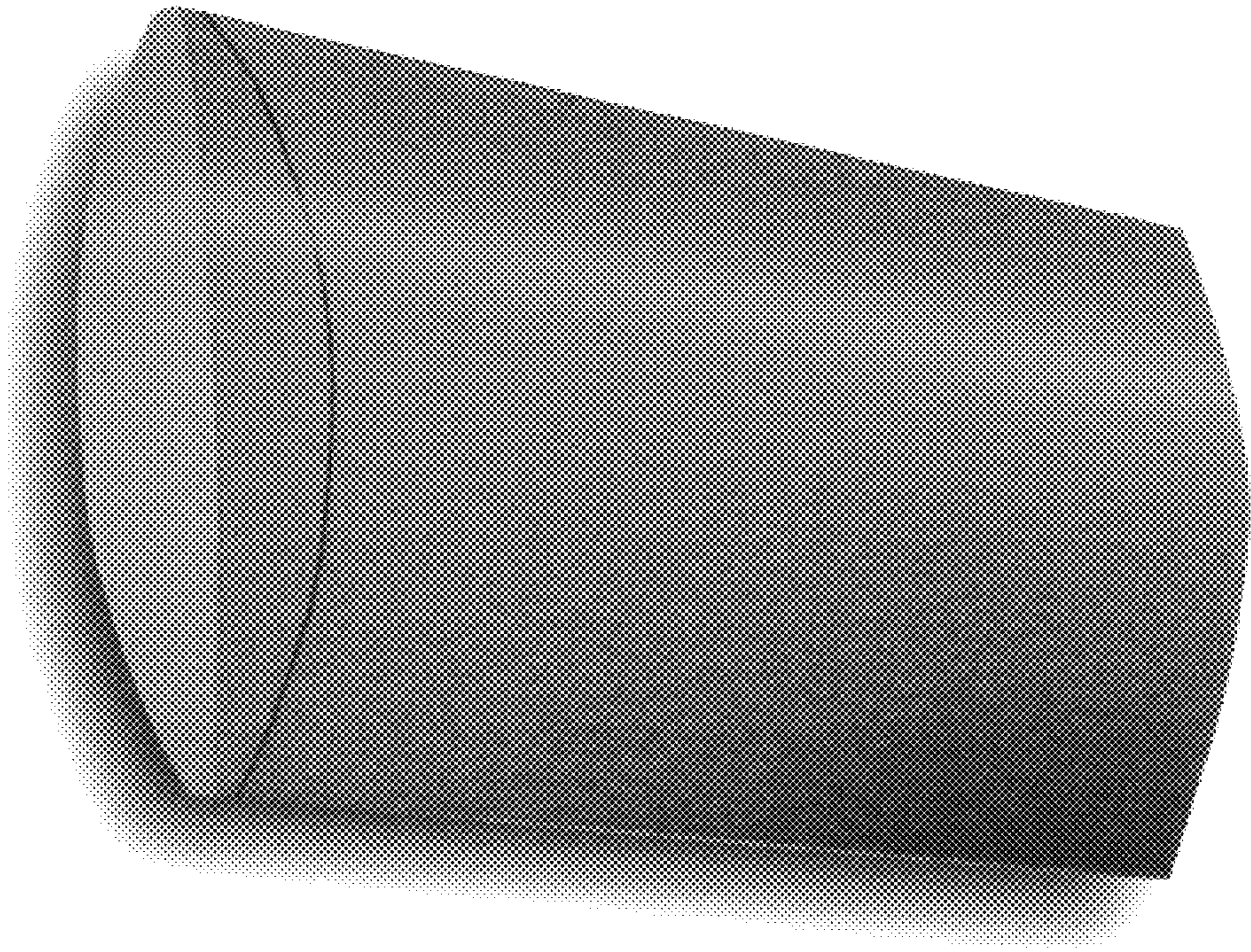


FIG. 2

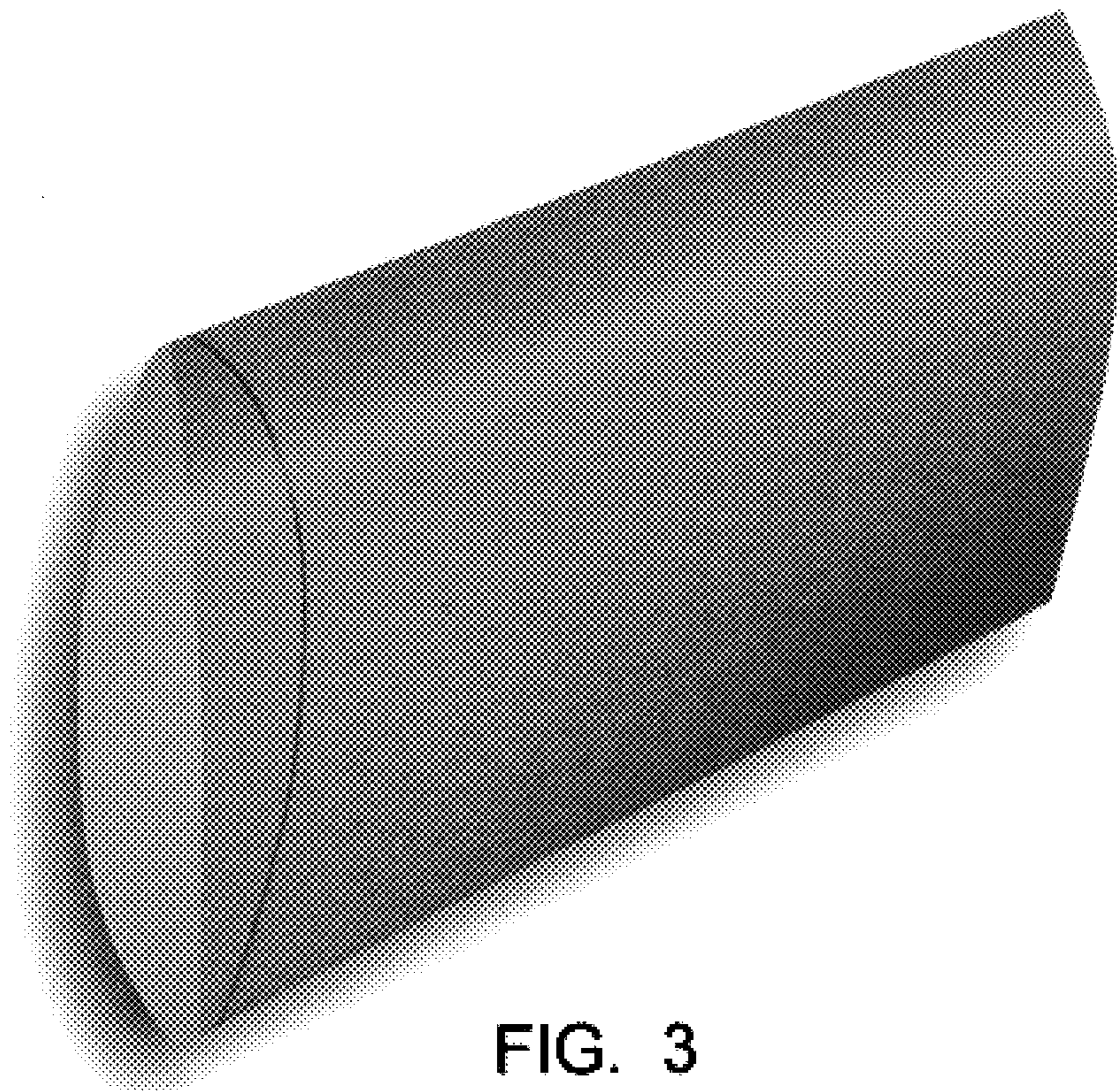


FIG. 3

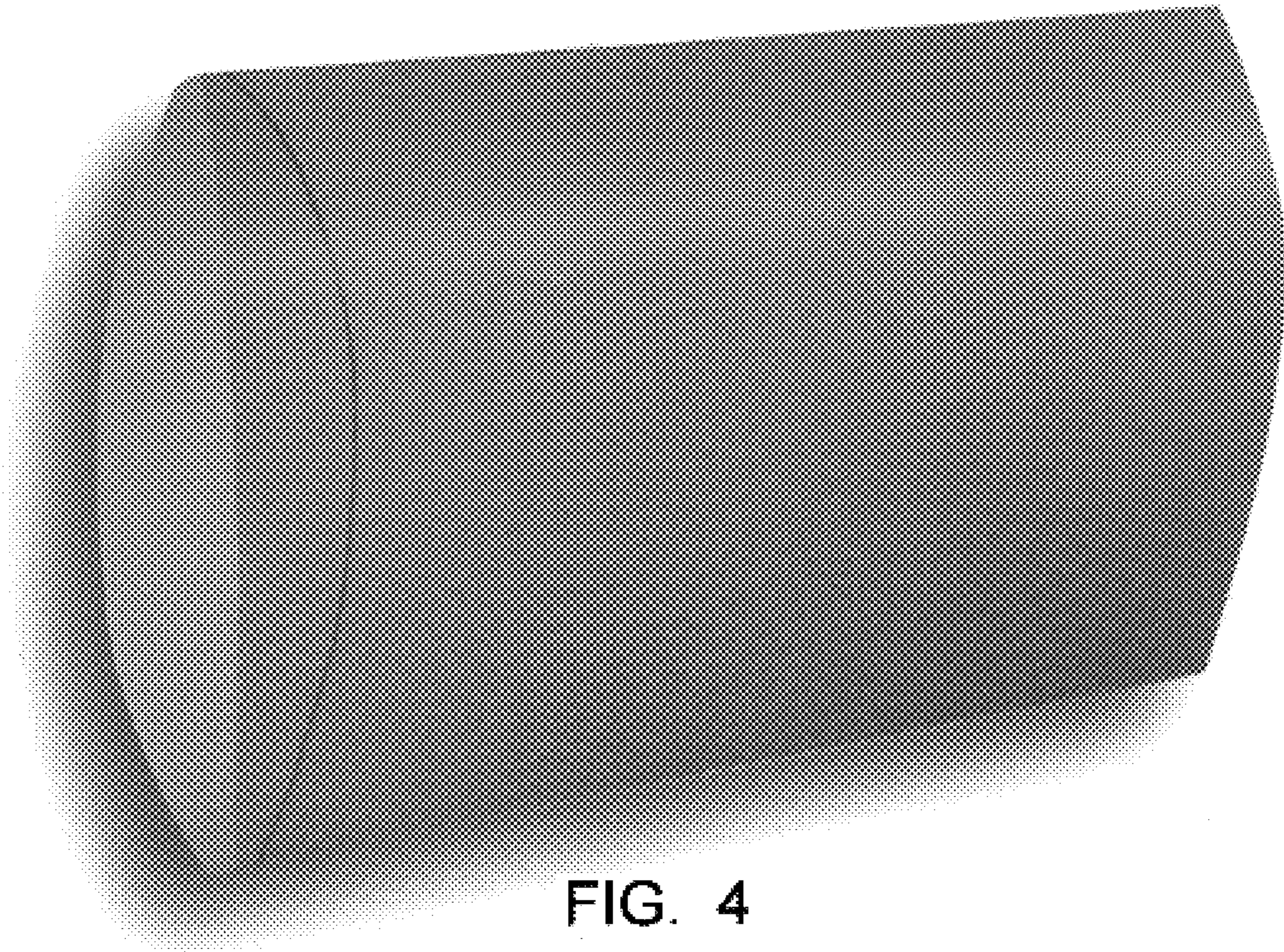


FIG. 4

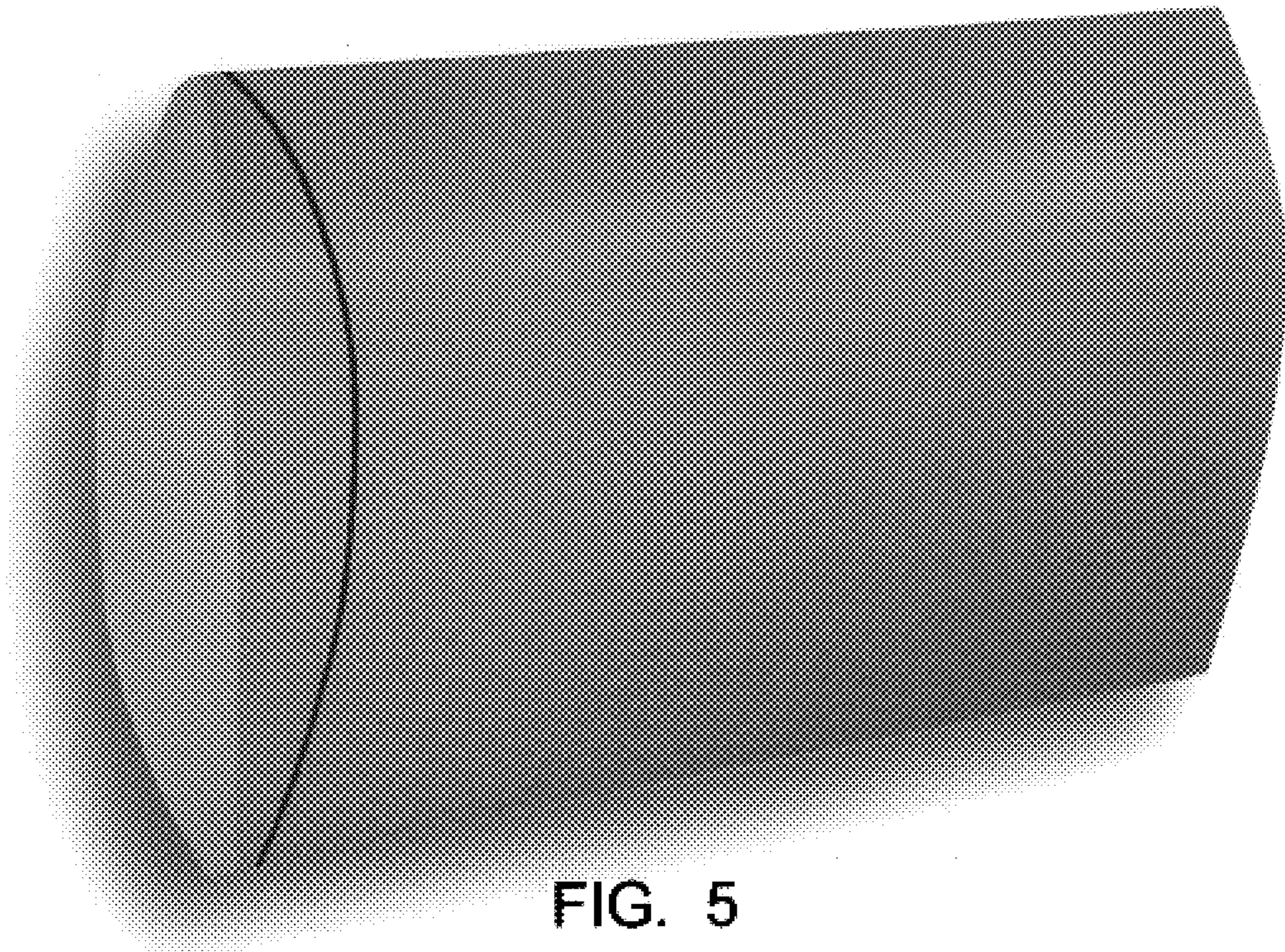


FIG. 5

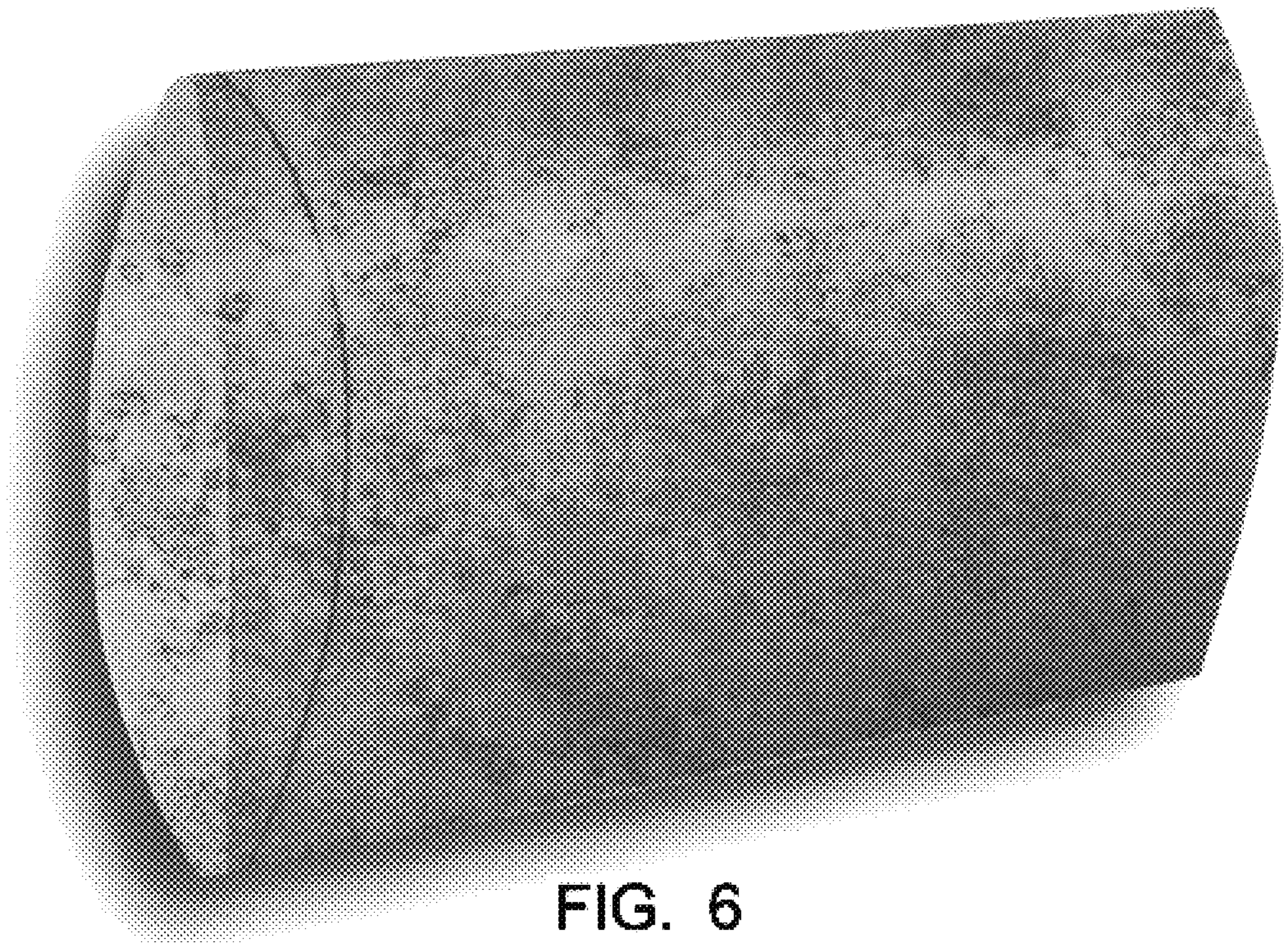


FIG. 6

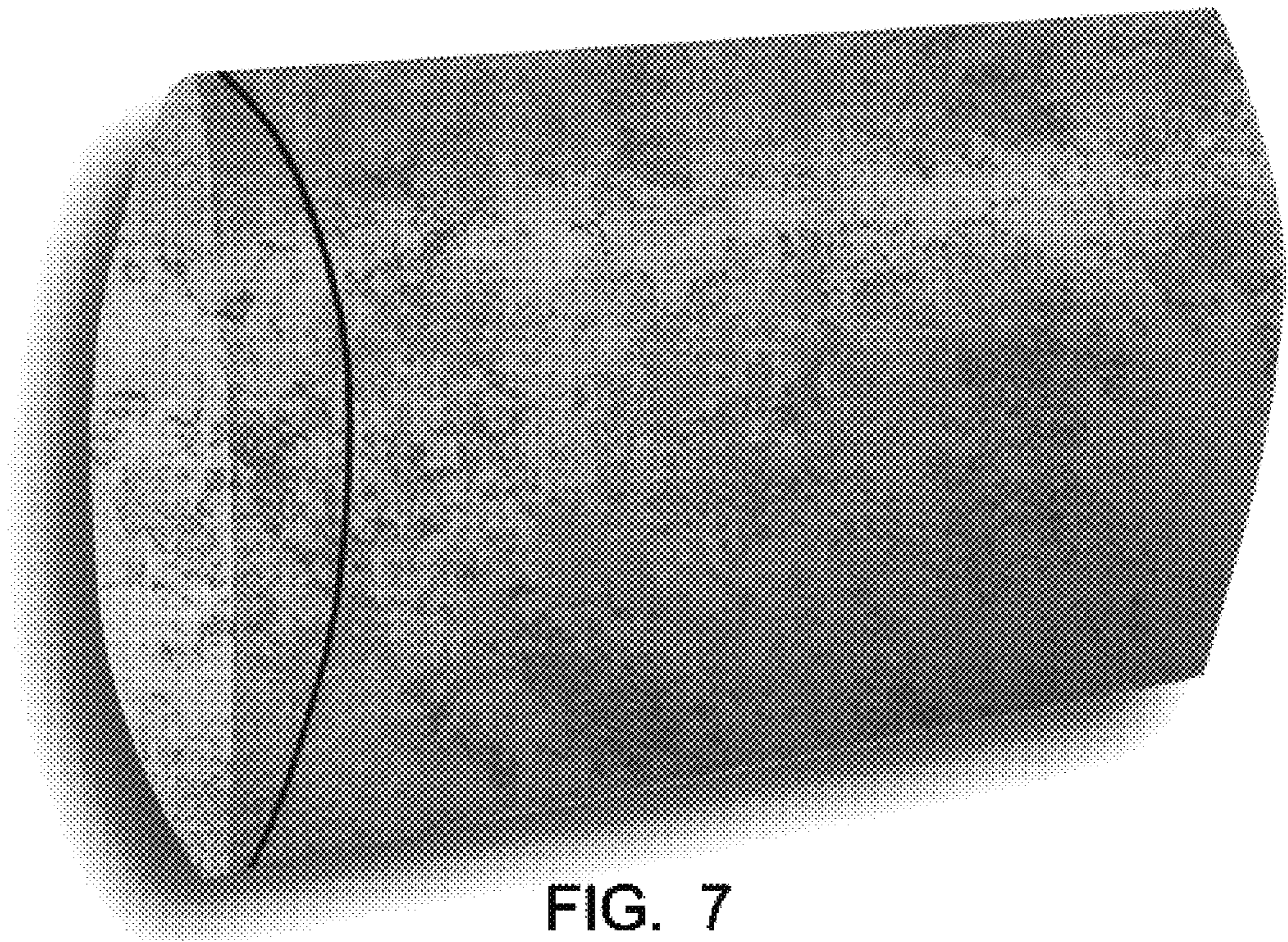


FIG. 7

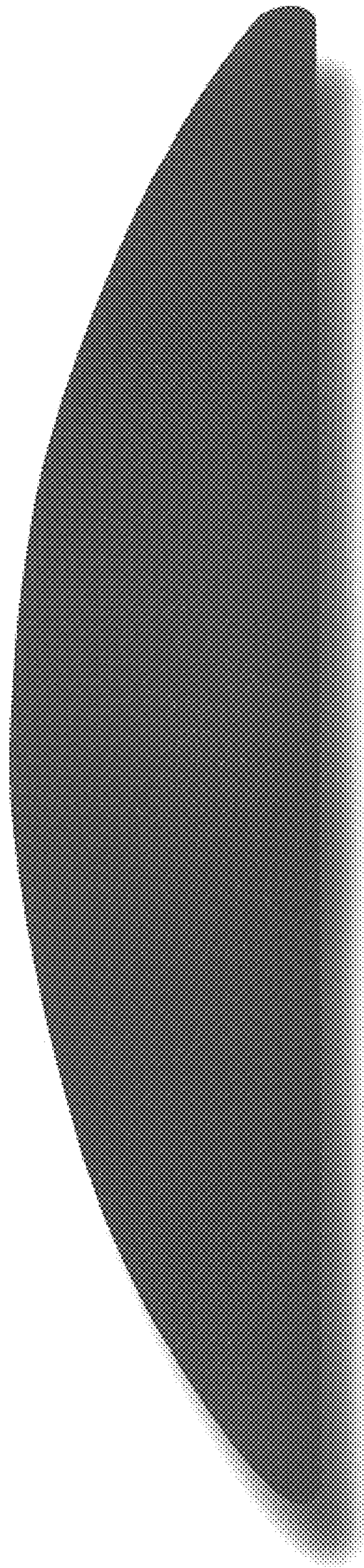


FIG. 8

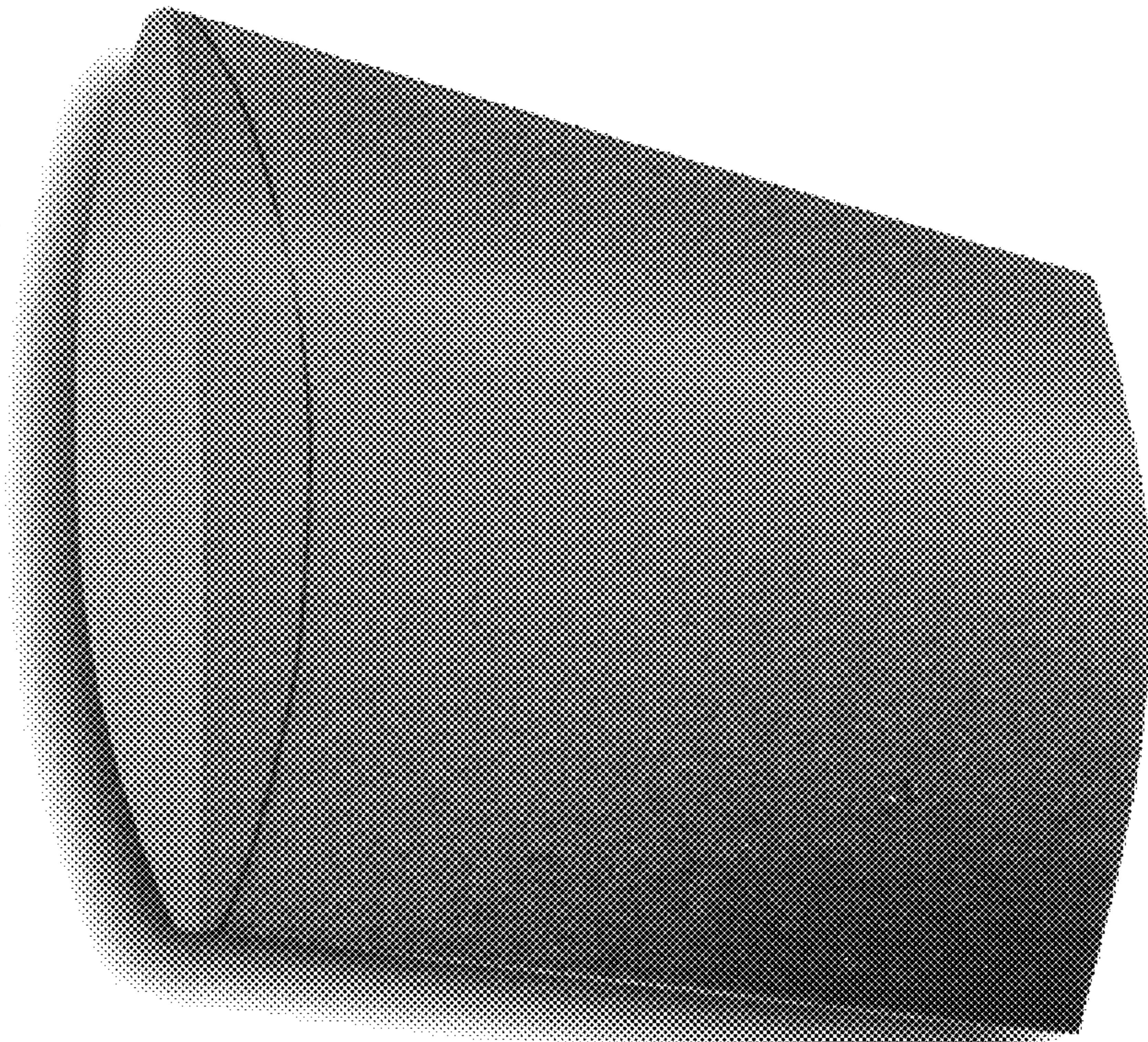


FIG. 9

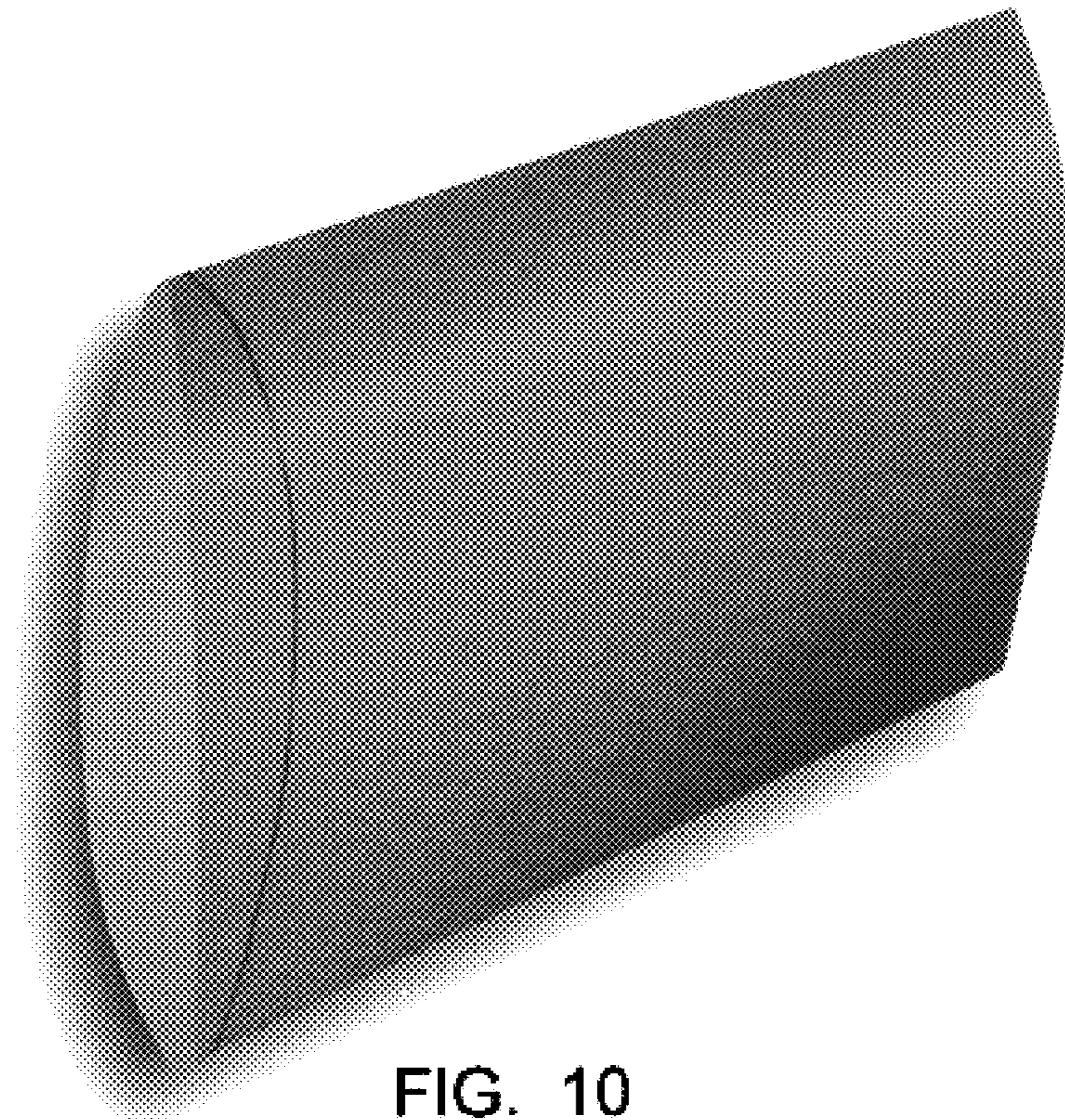


FIG. 10



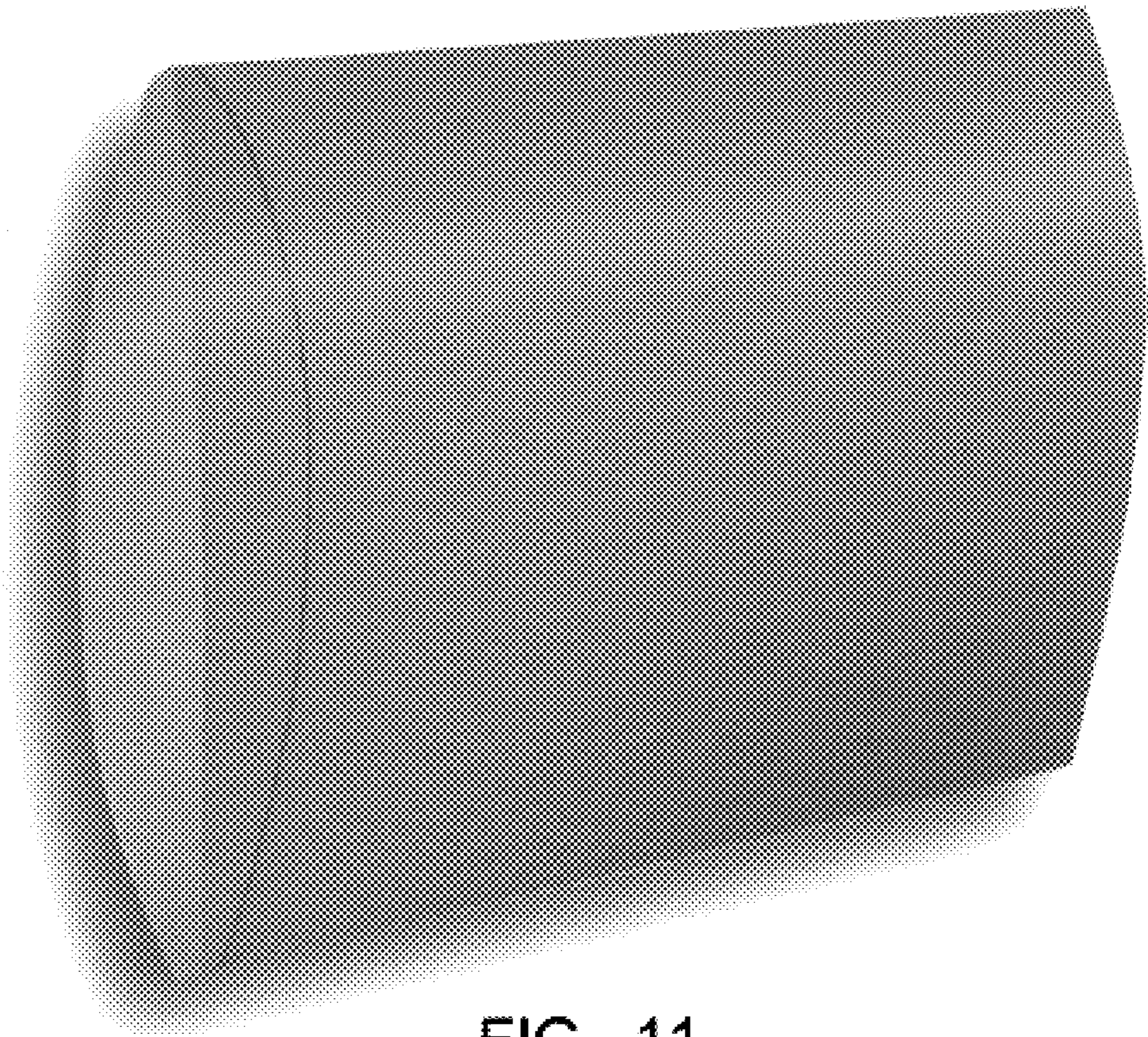


FIG. 11

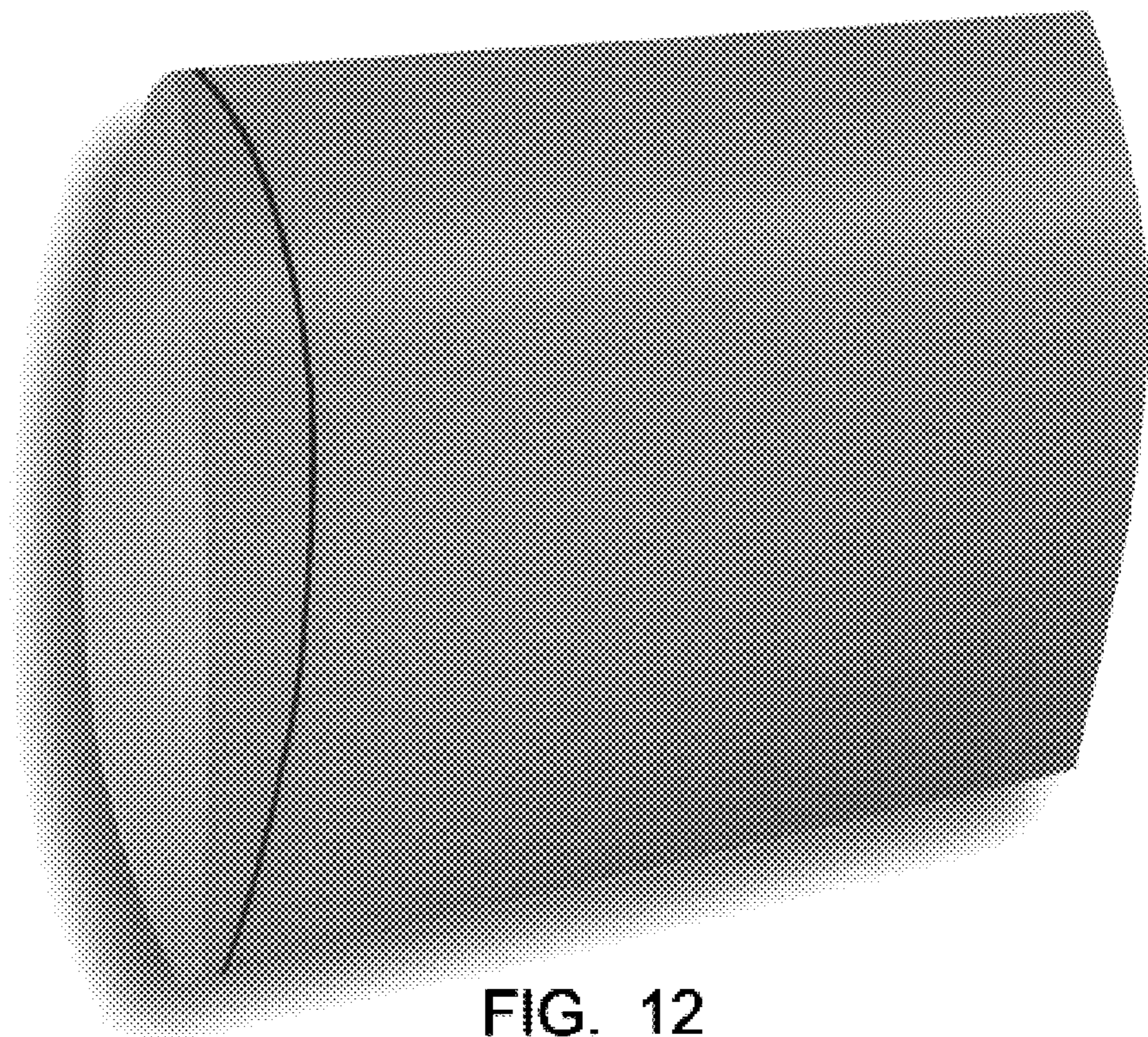


FIG. 12

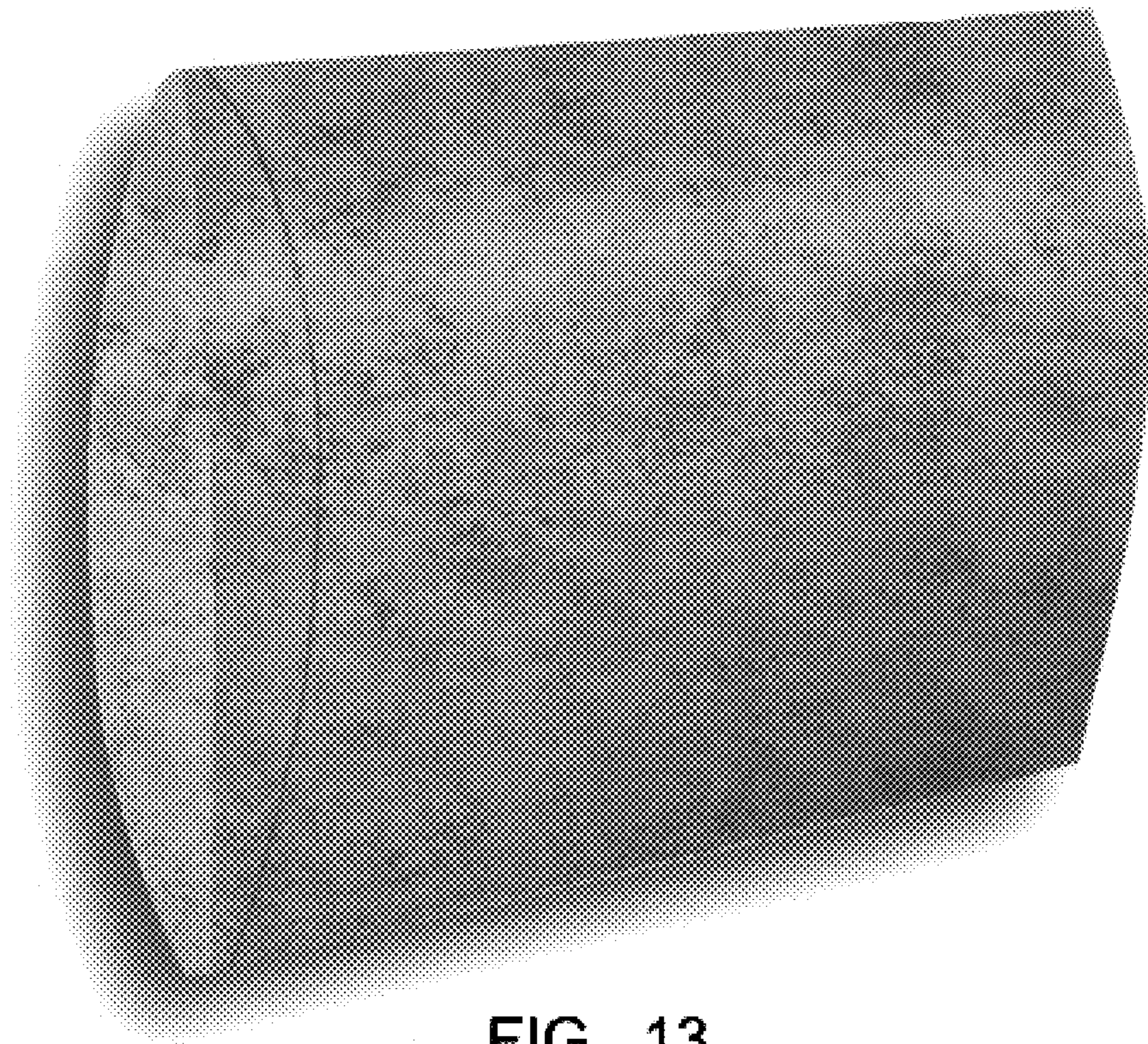


FIG. 13

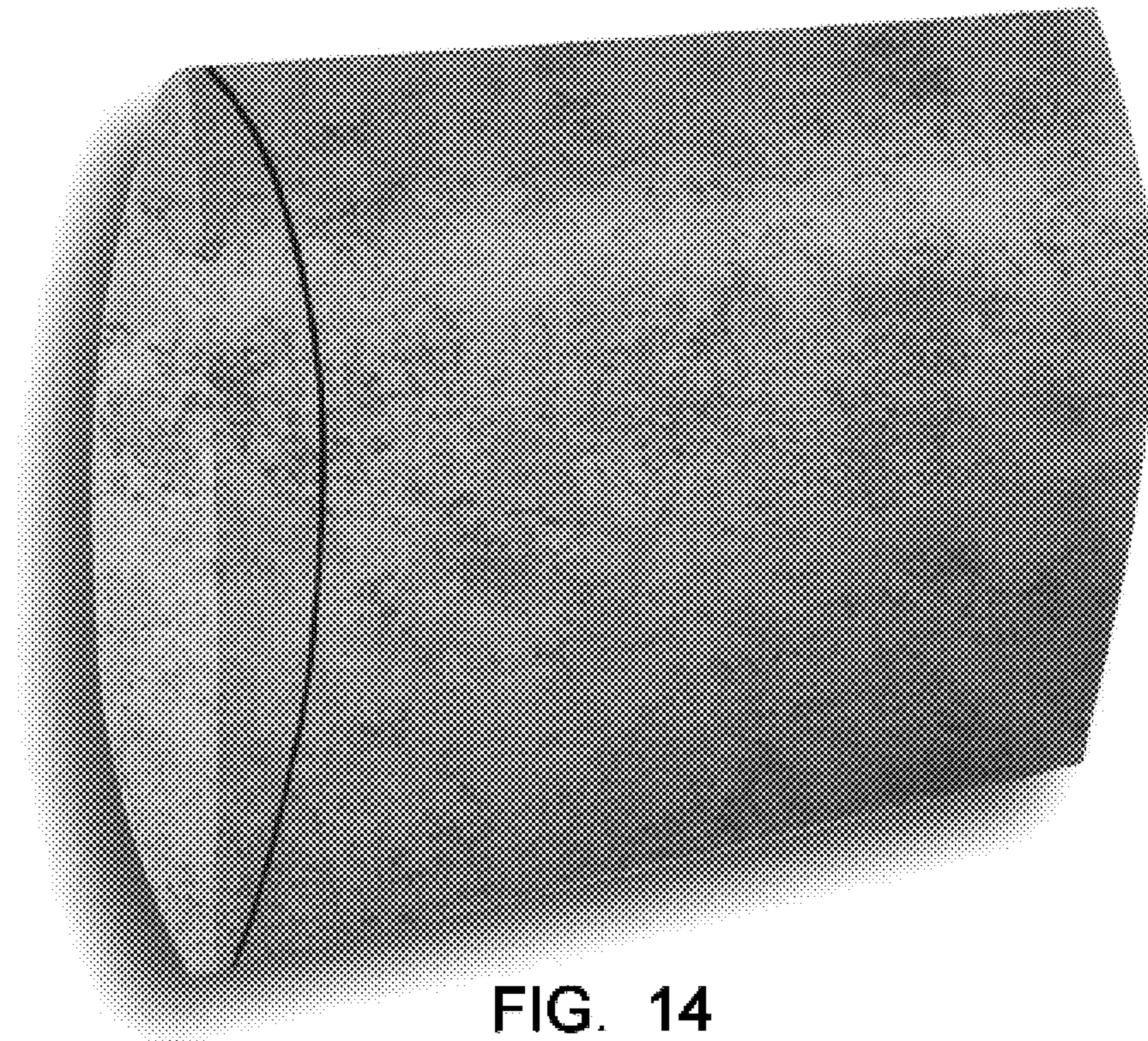


FIG. 14