



US00D455214S

(12) **United States Design Patent**  
**Ferber et al.**

(10) **Patent No.:** **US D455,214 S**

(45) **Date of Patent:** **\*\* Apr. 2, 2002**

(54) **PARAFFIN BATH**

(75) Inventors: **Roman S. Ferber**, West Bloomfield;  
**Paulette Abraham**, Birmingham;  
**Mordechai Lev**, Northville, all of MI  
(US); **Devin L. Moore**, Decatur, GA  
(US); **Amy M. Ryan**; **Nheeda C.**  
**Enriquez**, both of Atlanta, GA (US);  
**Leslie Lowe Brown**, Smyrna, GA (US)

(73) Assignee: **HoMedics, Inc.**, Commerce Twsp., MI  
(US)

(\*\*) Term: **14 Years**

(21) Appl. No.: **29/143,899**

(22) Filed: **Jun. 21, 2001**

(51) **LOC (7) Cl.** ..... **24-04**

(52) **U.S. Cl.** ..... **D24/204**

(58) **Field of Search** ..... D24/200; 607/96,  
607/104, 108, 111; D28/56, 61

(56) **References Cited**

**U.S. PATENT DOCUMENTS**

- 1,319,559 A 10/1919 Bjorkholm et al.
- 1,390,719 A 9/1921 Lozano
- 2,463,329 A 3/1949 Stansbury
- 2,904,037 A 9/1959 Cassidy
- 3,157,774 A \* 11/1964 Moore et al. .... 607/86
- 3,834,459 A 9/1974 Layton
- 3,892,945 A 7/1975 Lerner
- 3,985,511 A 10/1976 Betts
- 4,052,590 A 10/1977 Anderl et al.
- 4,513,735 A 4/1985 Friedson et al.
- 4,632,115 A \* 12/1986 Bernardini ..... 607/86
- 4,640,226 A 2/1987 Liff
- 4,696,303 A 9/1987 Bernardini
- 4,782,835 A 11/1988 Bernardini
- 4,880,415 A 11/1989 Urakami
- 4,967,061 A \* 10/1990 Weber, Jr. et al. .... 219/438

- 5,345,063 A 9/1994 Reusche et al.
- 5,588,161 A 12/1996 Barradas
- 5,674,268 A 10/1997 Riazi
- D440,662 S \* 4/2001 Ferber ..... D24/200
- D441,455 S \* 5/2001 Feer et al. .... D24/200
- D442,284 S \* 5/2001 Ferber ..... D24/200
- D449,110 S \* 10/2001 Schmidt et al. .... D24/200

**FOREIGN PATENT DOCUMENTS**

- JP 61-65815 4/1986
- JP 11-56893 3/1999

**OTHER PUBLICATIONS**

TheraBath® Paraffin Wax Therapy for arthritis, bursitis, tendonitis, [www.1rehab.com/paraffin/index.htm](http://www.1rehab.com/paraffin/index.htm), May 23, 2000, pp. 1-3.

Remington Products, Hand Care, [www.remington-products.com/products/spatherapy/ahdn.html](http://www.remington-products.com/products/spatherapy/ahdn.html), May 23, 2000, pp. 1-3.

\* cited by examiner

*Primary Examiner*—Stella Reid

(74) *Attorney, Agent, or Firm*—Brooks & Kushman P.C.

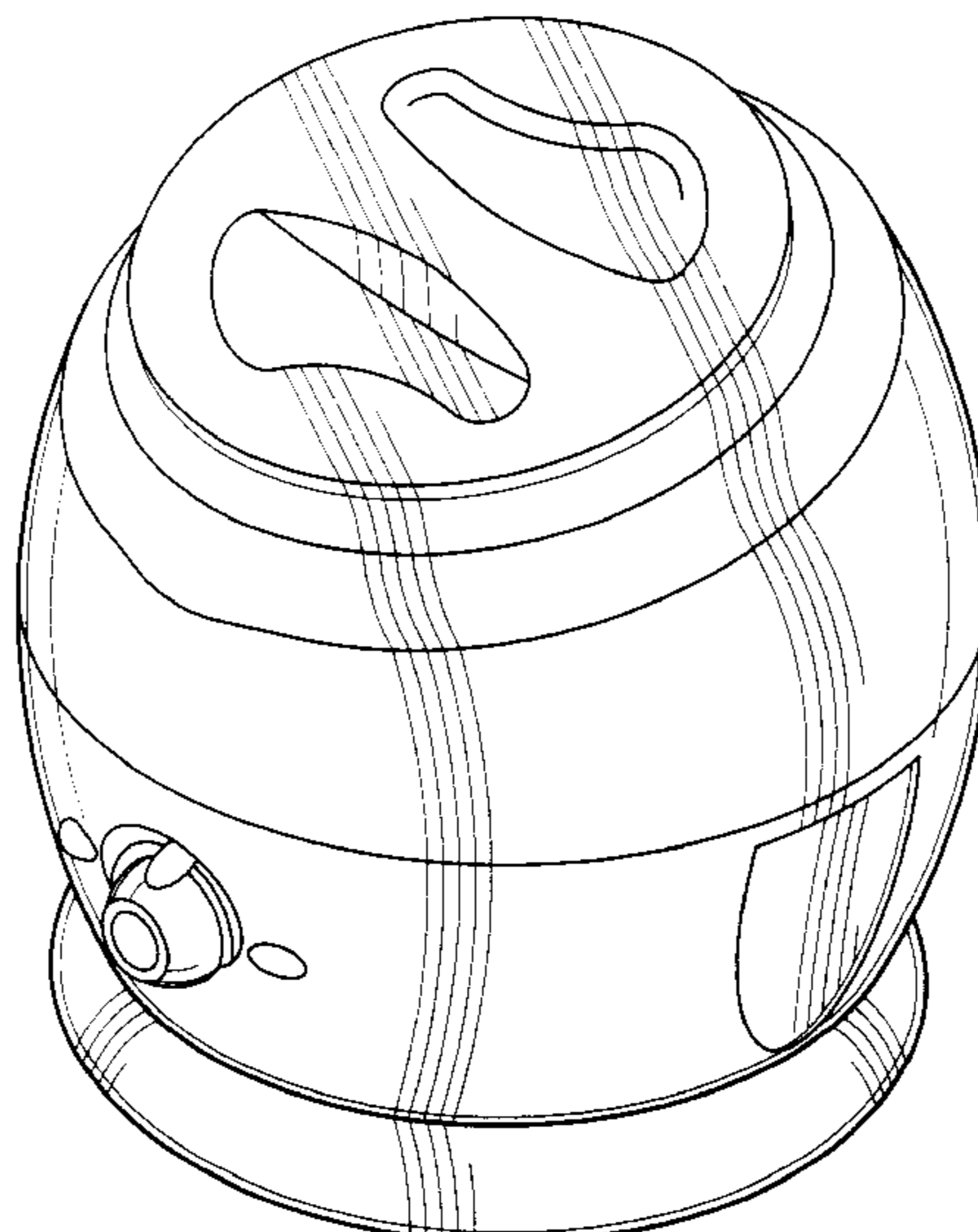
(57) **CLAIM**

The ornamental design for a paraffin bath, as shown and described.

**DESCRIPTION**

FIG. 1 is a perspective view of our new design; FIG. 2 is a front elevation view of our new design; FIG. 3 is a left side elevation view of our new design; FIG. 4 is a right side elevation view of our new design; FIG. 5 is a rear elevation view of our new design; FIG. 6 is a top plan view of our new design; and, FIG. 7 is a bottom plan view of our new design. The design is of a paraffin bath having a slanted top. The broken lines in FIGS. 2-5 and 7 are for illustrative purposes only and form no part of the claimed design.

**1 Claim, 3 Drawing Sheets**



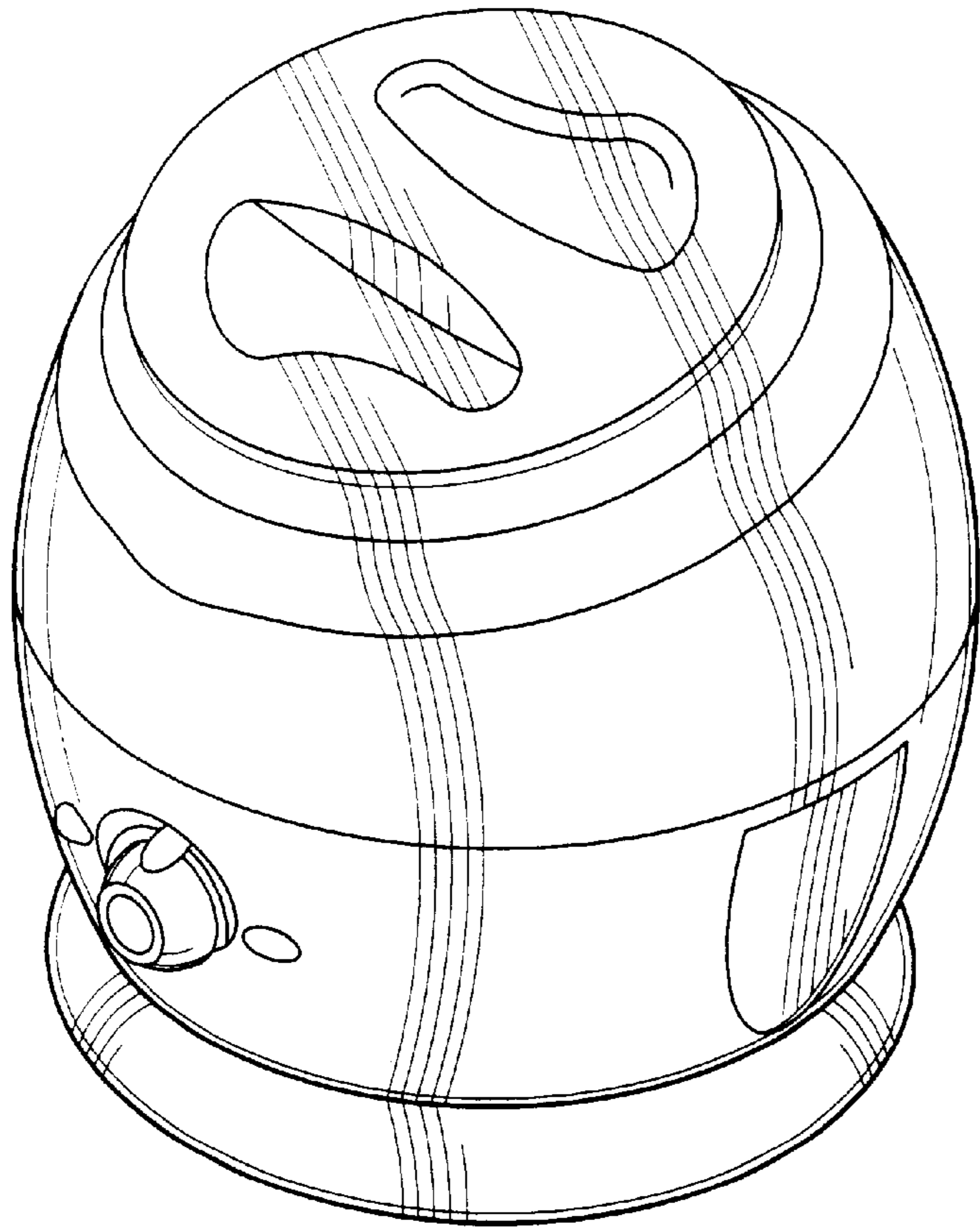


Fig-1

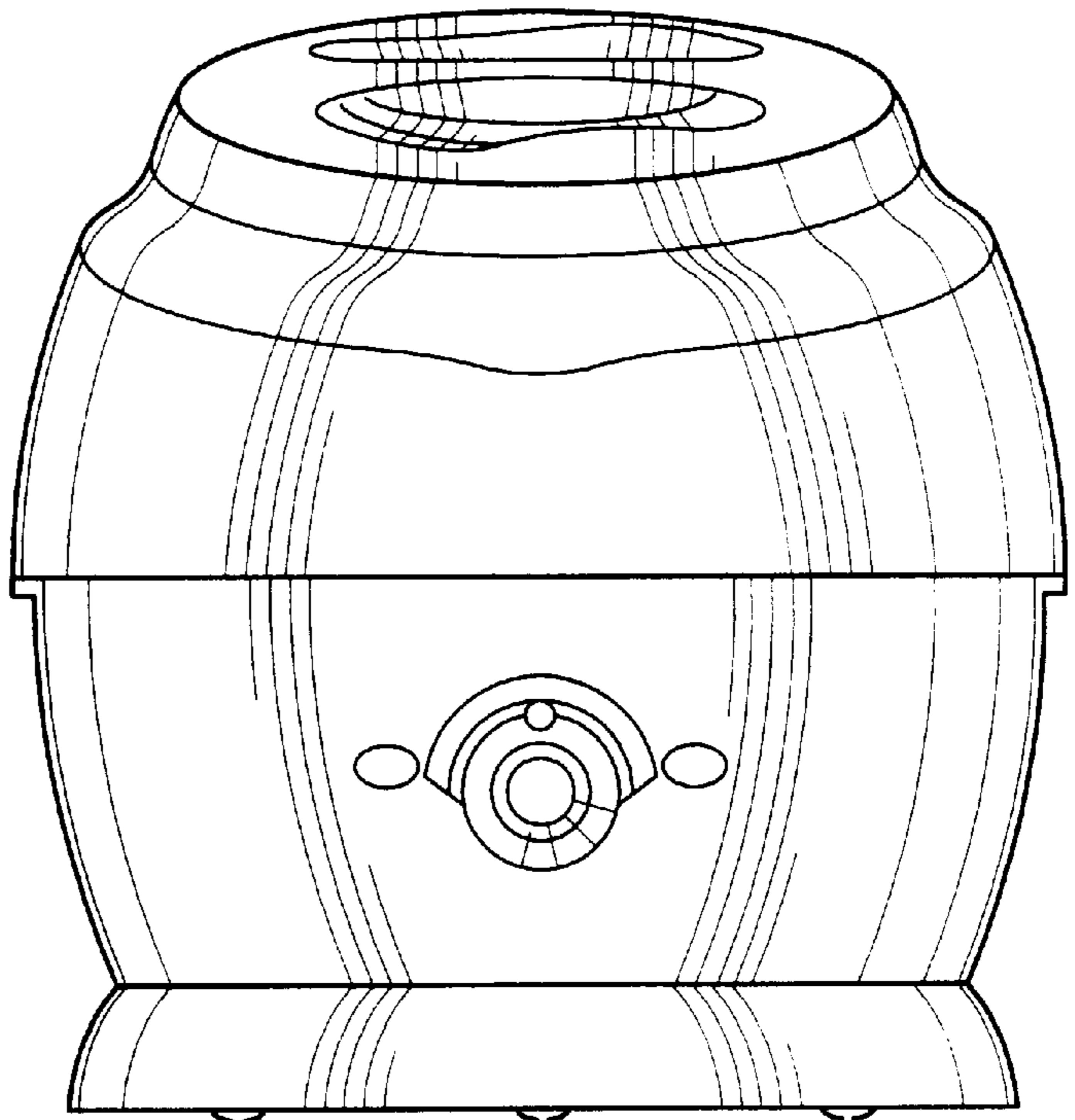


Fig-2

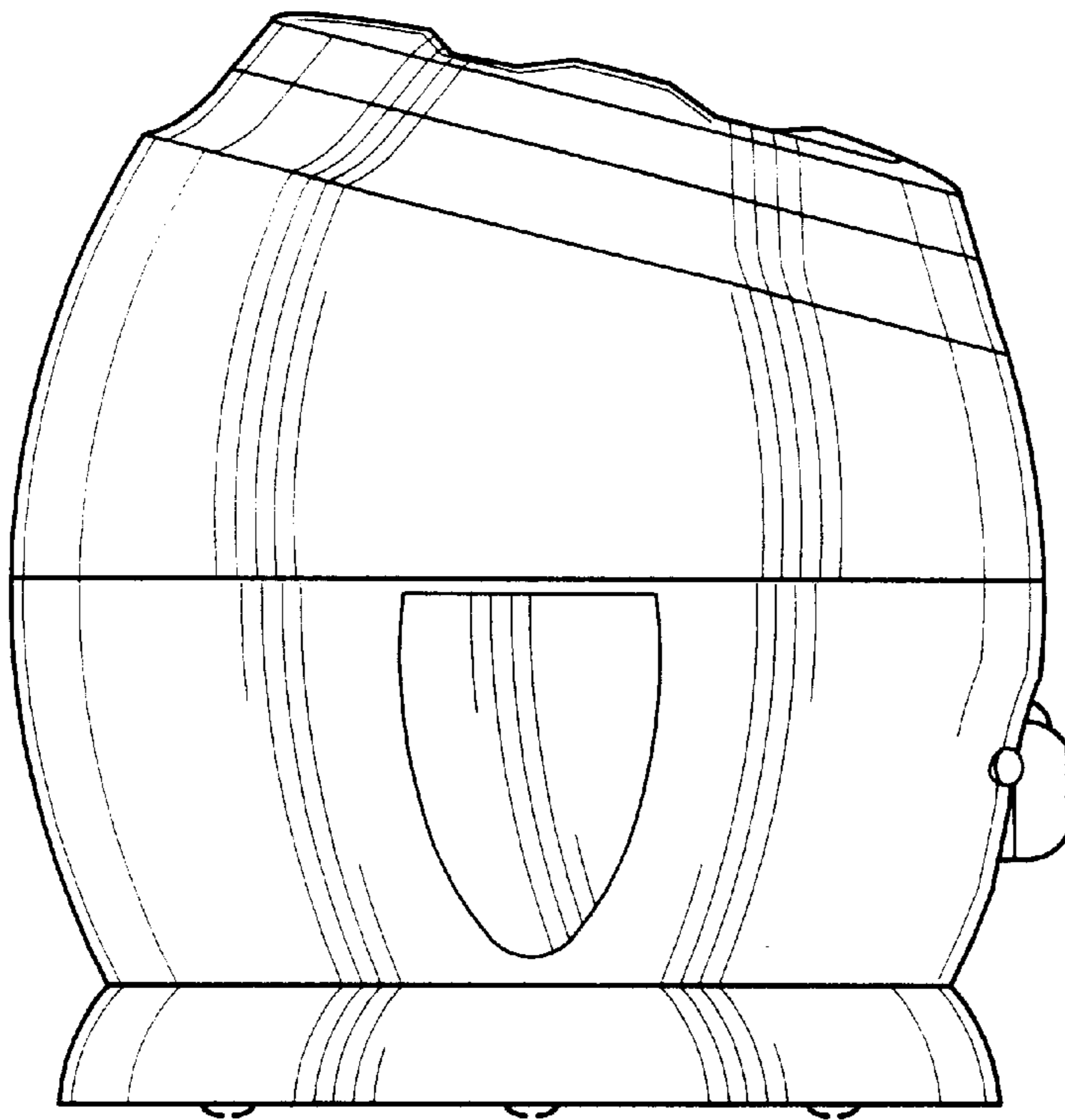


Fig-3

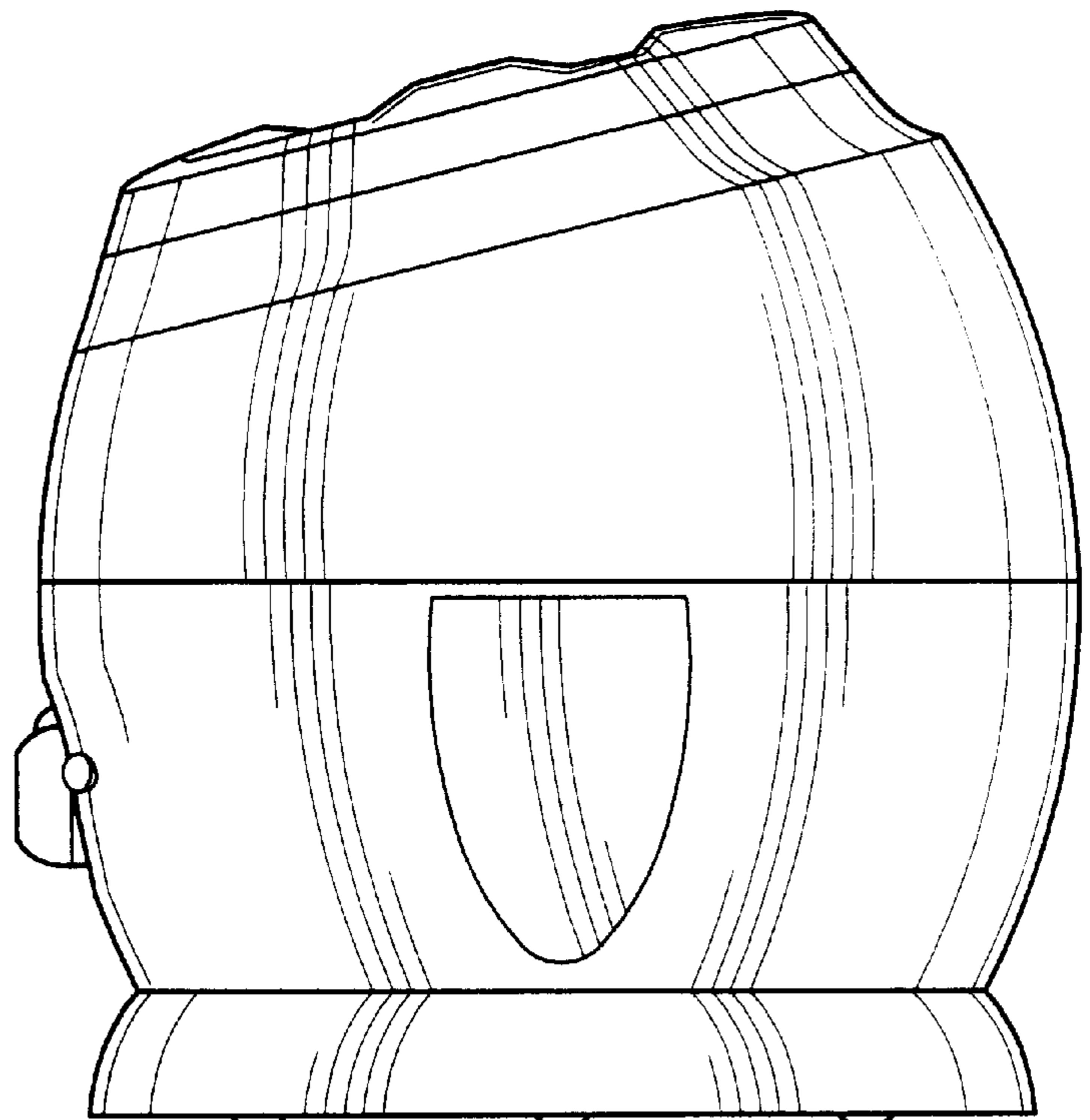


Fig-4



Fig-5

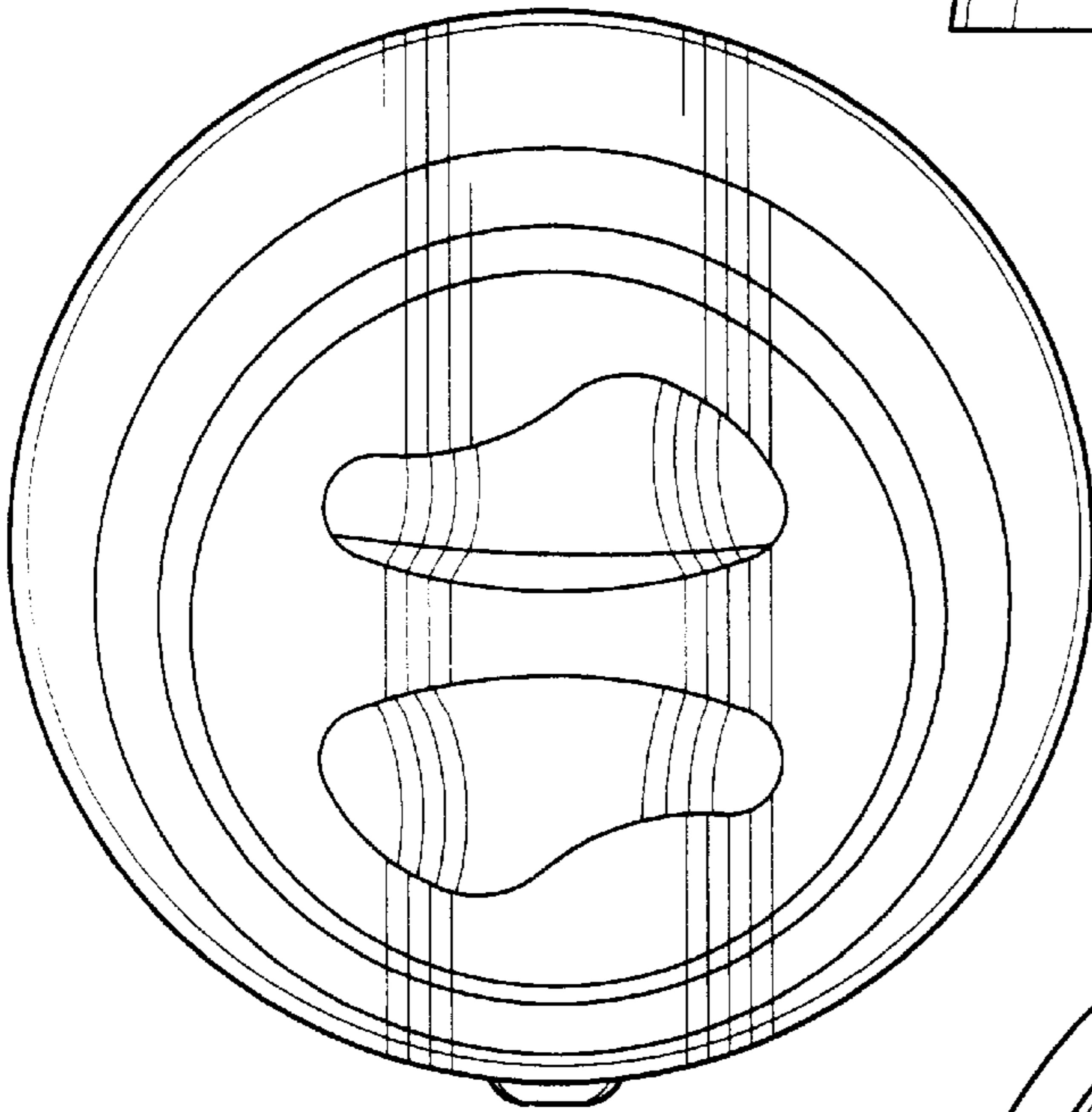
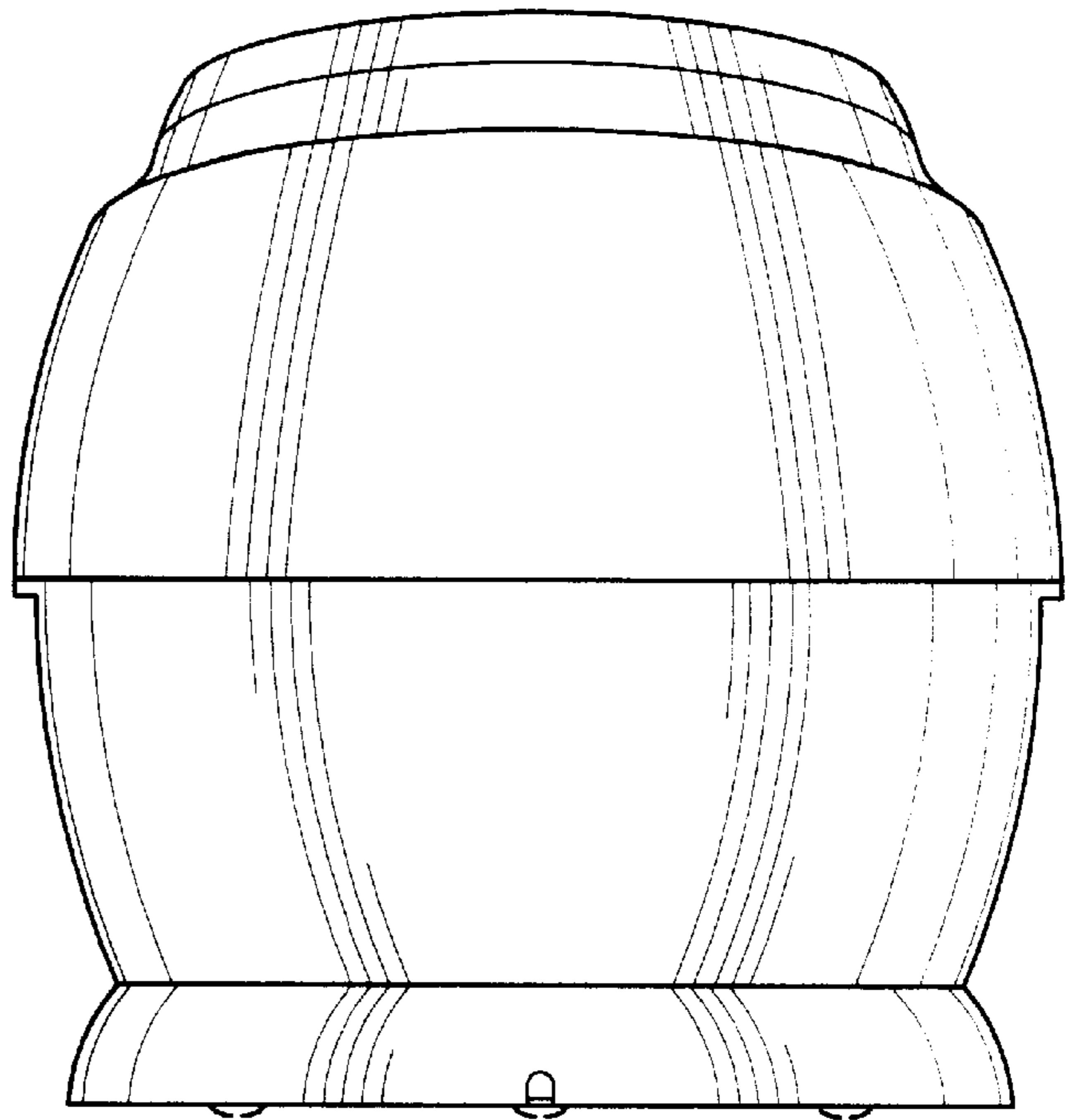


Fig-6

Fig-7

