



US00D455212S

(12) **United States Design Patent**
Albrektsson et al.

(10) **Patent No.:** **US D455,212 S**
(45) **Date of Patent:** **** Apr. 2, 2002**

(54) **FEMORAL FIXTURE FOR A HIP JOINT PROSTHESIS**

FOREIGN PATENT DOCUMENTS

WO 9725939 7/1997

(75) Inventors: **Thomas Albrektsson**, Molndal;
Magnus Jacobsson, Gothenburg; **Stig Wennberg**, Gunnilse; **Lars Carlsson**, Kullavik, all of (SE); **Warren Macdonald**, Boscombe (GB)

OTHER PUBLICATIONS

U.S. application No. 08/776,987, Albrektsson et al., filed Feb. 18, 1997.

* cited by examiner

(73) Assignee: **AstraZeneca AB**, Sodertalje (SE)

Primary Examiner—Antoine Duval Davis

(**) Term: **14 Years**

(74) *Attorney, Agent, or Firm*—White & Case LLP

(21) Appl. No.: **29/139,717**

(57) **CLAIM**

(22) Filed: **Apr. 4, 2001**

The ornamental design for a femoral fixture for a hip joint prosthesis, as shown and described.

(51) **LOC (7) Cl.** **24-03**

DESCRIPTION

(52) **U.S. Cl.** **D24/155**

FIG. 1 is a top perspective view of a femoral fixture for a hip joint prosthesis showing our new design;
FIG. 2 is a bottom perspective view thereof;
FIG. 3 is a side elevational view thereof;
FIG. 4 is a top plan view thereof; and,
FIG. 5 is a bottom plan view thereof.

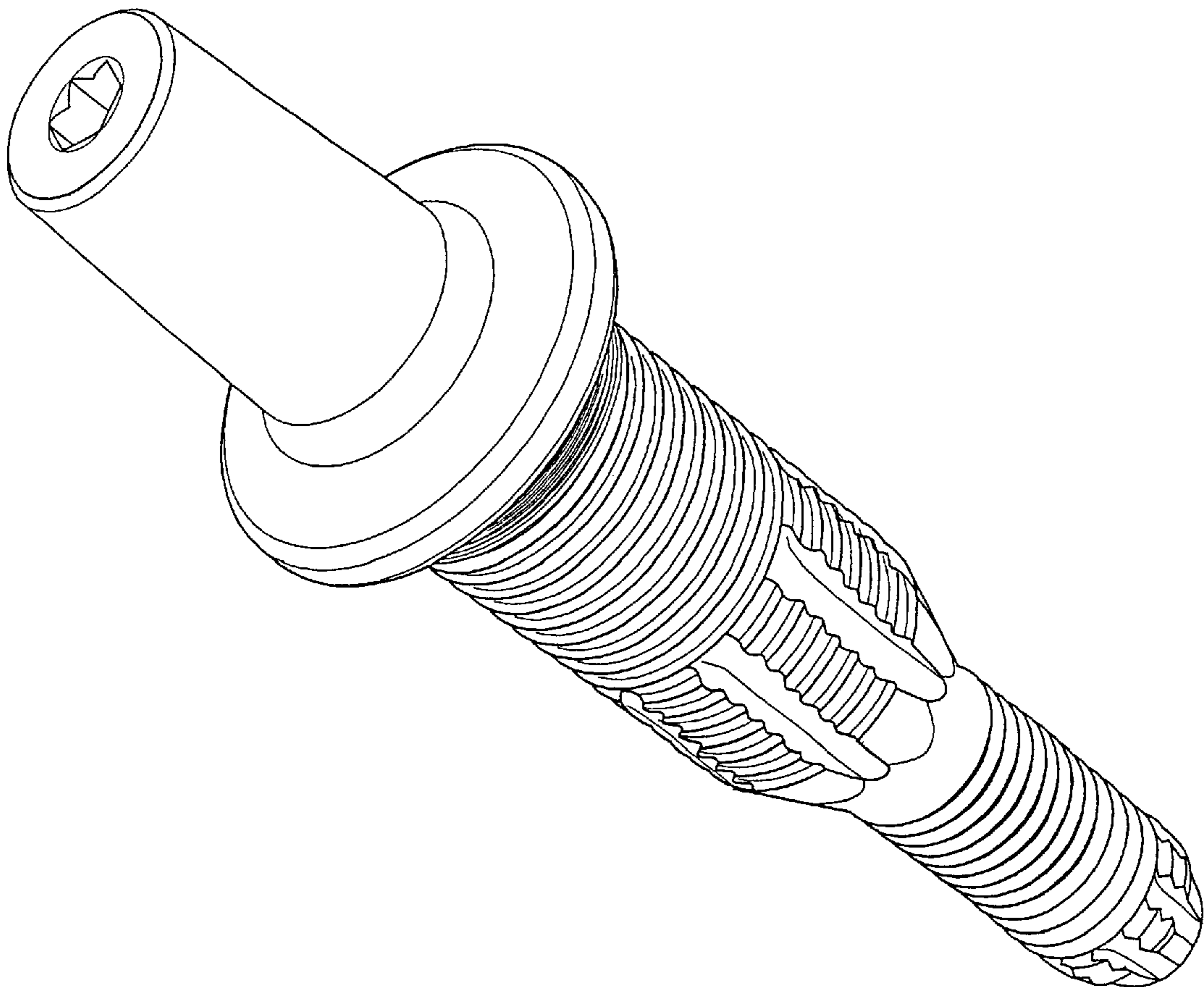
(58) **Field of Search** D24/155; 623/23.11–23.16

(56) **References Cited**

U.S. PATENT DOCUMENTS

5,980,575 A * 11/1999 Albrektsson et al. 623/23

1 Claim, 2 Drawing Sheets



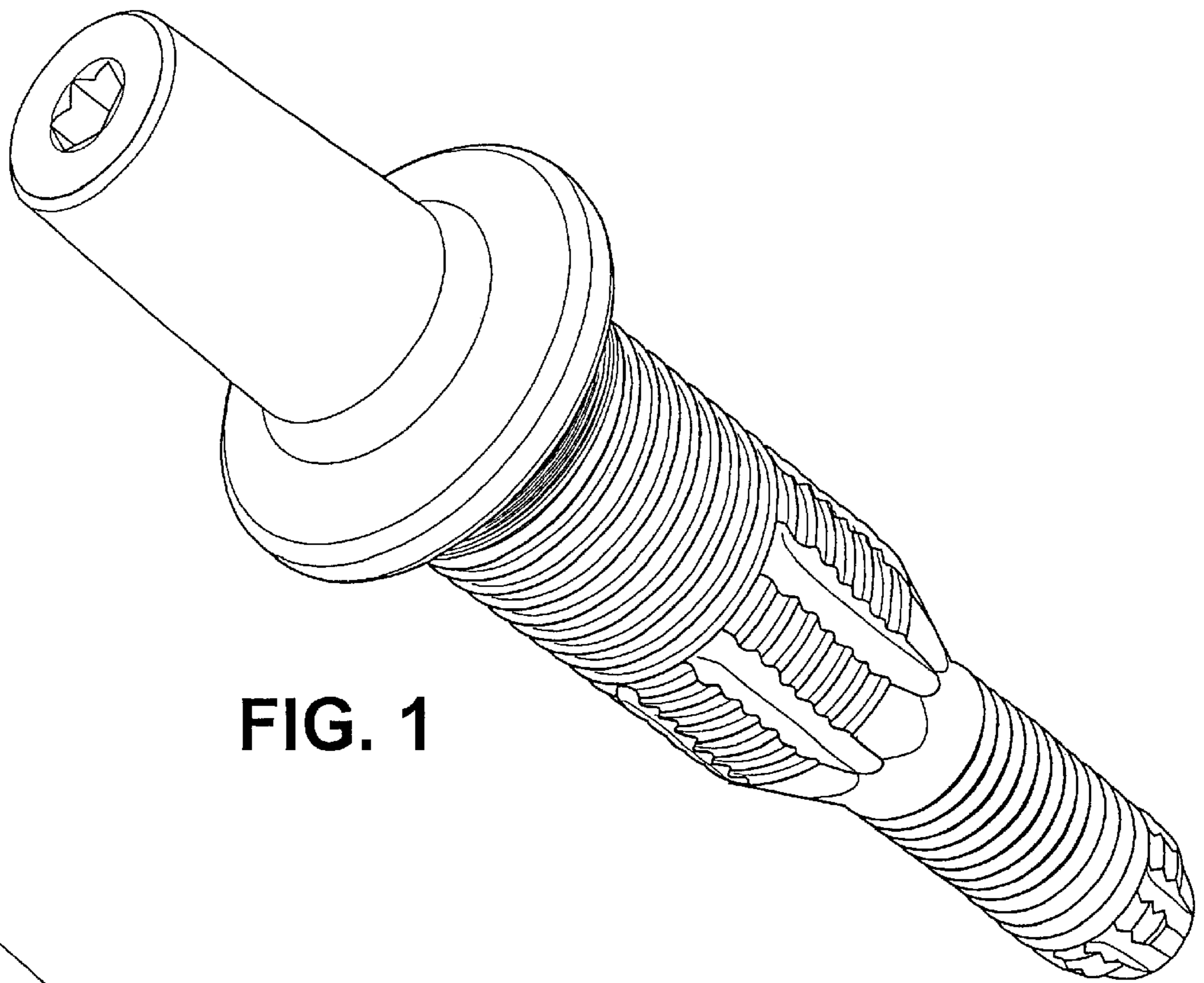


FIG. 1

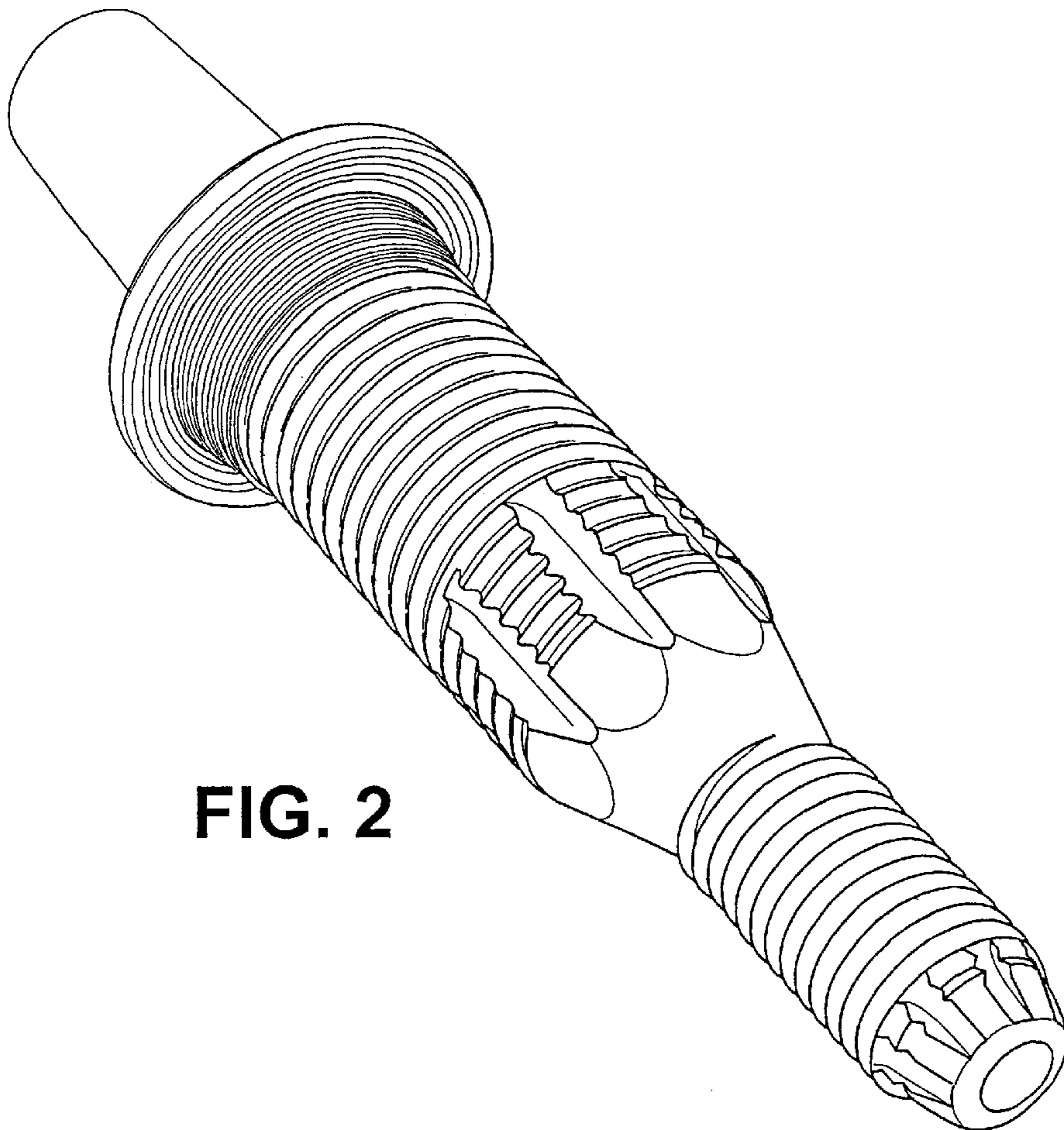


FIG. 2

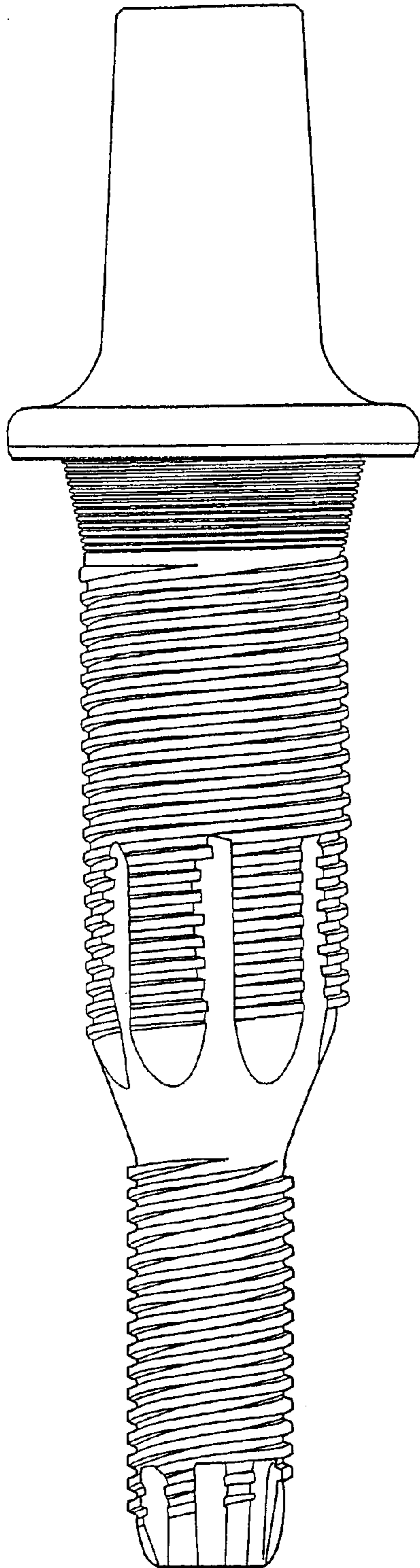


FIG. 3

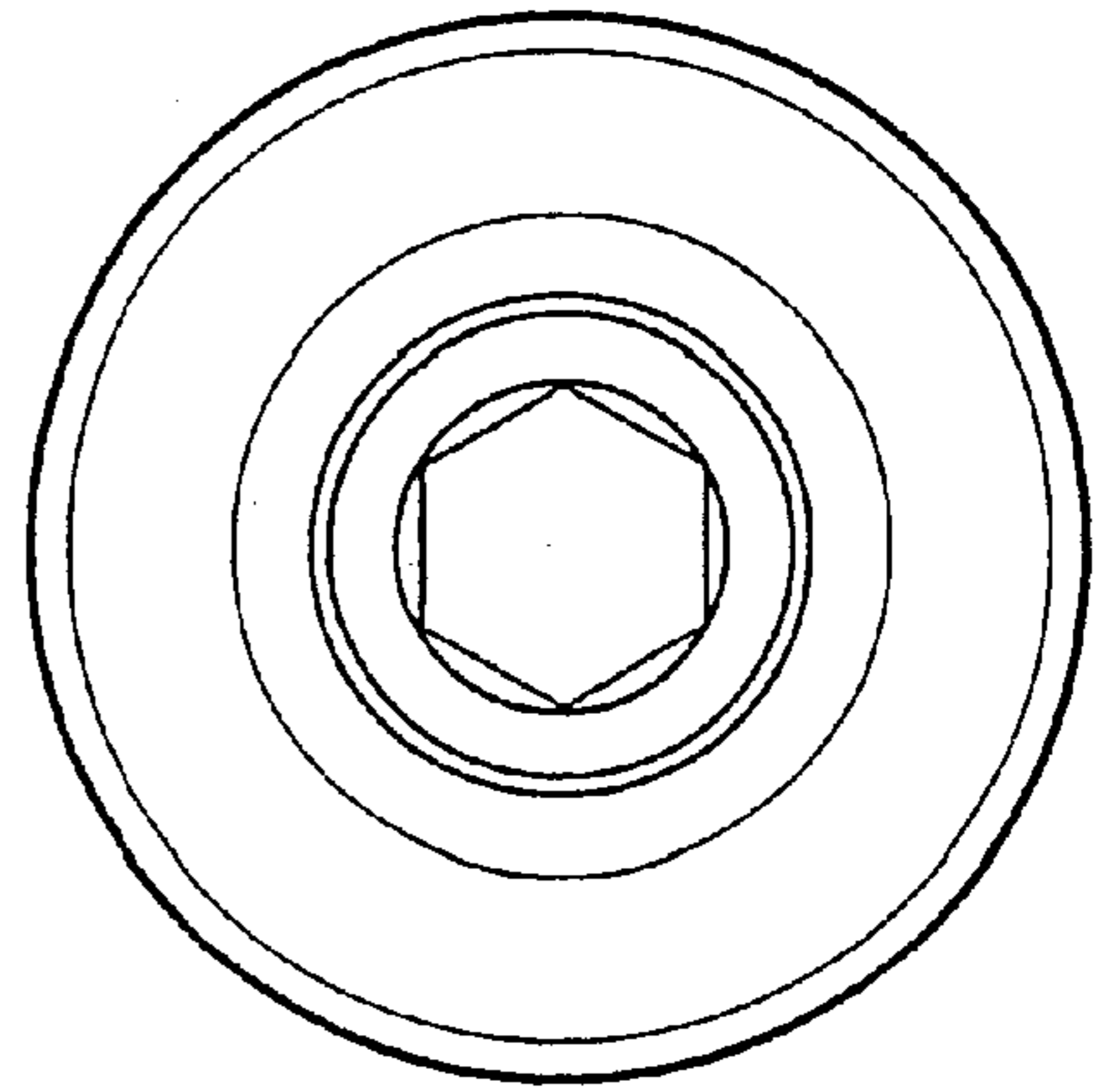


FIG. 4

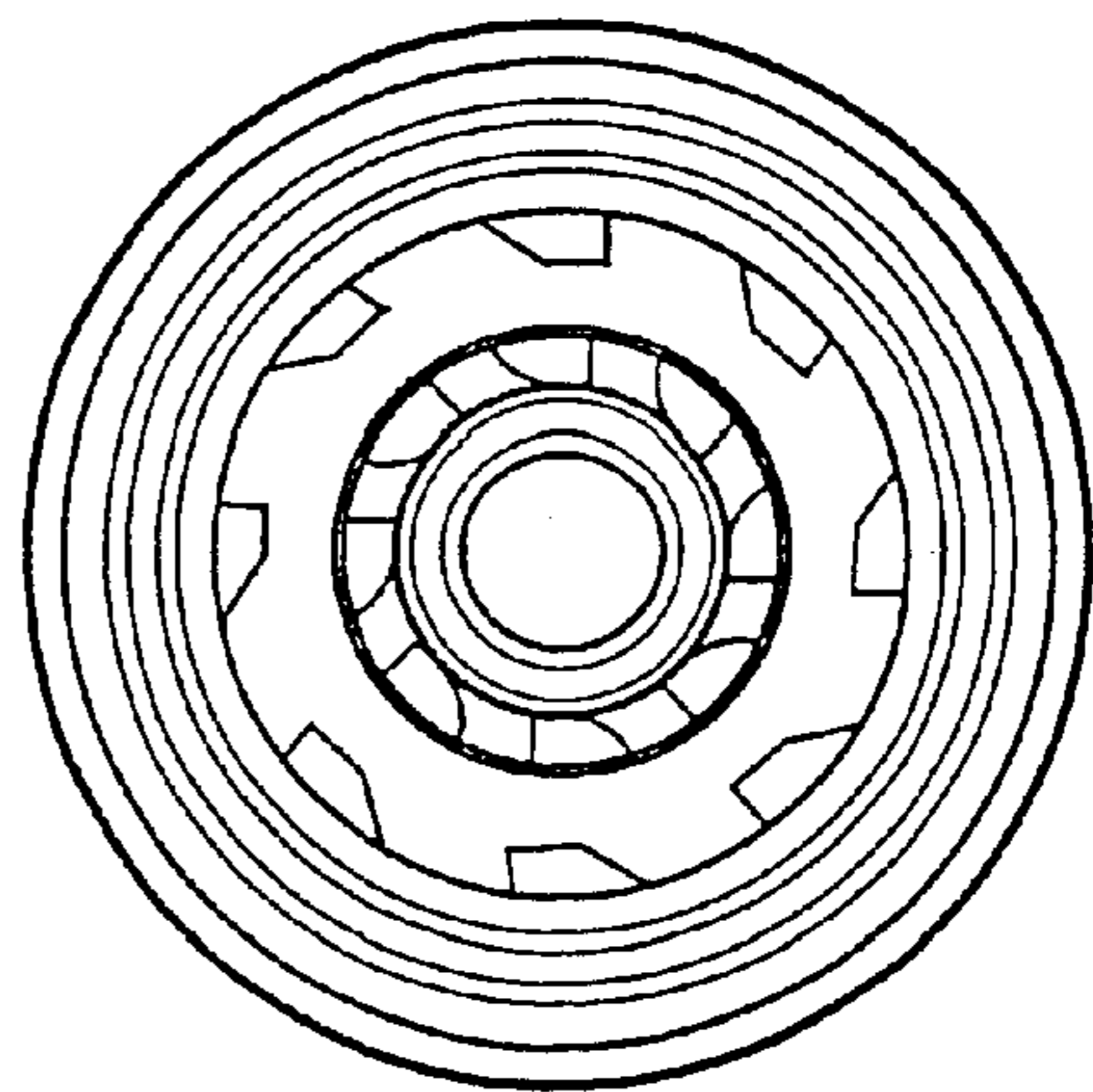


FIG. 5

UNITED STATES PATENT AND TRADEMARK OFFICE
CERTIFICATE OF CORRECTION

PATENT NO. : Des 455,212 S
DATED : April 2, 2002
INVENTOR(S) : Albrektsson et al.

Page 1 of 1

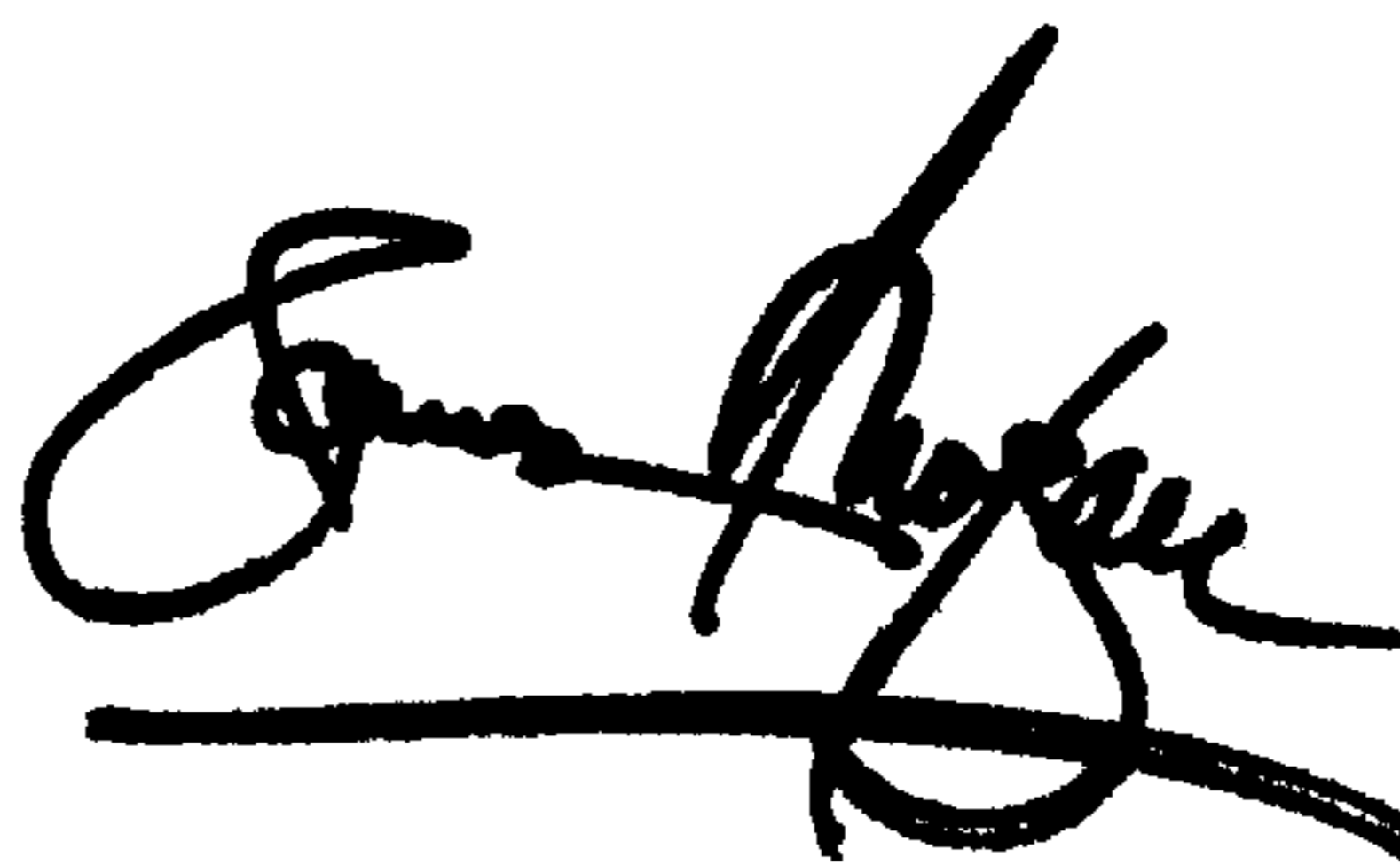
It is certified that error appears in the above-identified patent and that said Letters Patent is hereby corrected as shown below:

Title page,
Item [75], delete "**Thomas**" and insert -- **Tomas** --.

Signed and Sealed this

Twenty-fifth Day of June, 2002

Attest:

A handwritten signature in black ink, appearing to read "James E. Rogan", with a horizontal line drawn underneath it.

Attesting Officer

JAMES E. ROGAN
Director of the United States Patent and Trademark Office