



US00D455207S

(12) **United States Design Patent**  
**Gross et al.**

(10) **Patent No.:** **US D455,207 S**

(45) **Date of Patent:** **\*\* Apr. 2, 2002**

(54) **DRUG CONVERSION DEVICE**

(75) Inventors: **Joseph Gross**, Moshav Mazor; **Gilad Lavi**, Holon, both of (IL); **Izrail Tsals**, Sudbury, MA (US); **Gil Yigal**, Gan-Yavne (IL)

(73) Assignee: **Elan Corporation, plc**, Dublin (IE)

(\*\*) Term: **14 Years**

(21) Appl. No.: **29/104,885**

(22) Filed: **May 13, 1999**

(51) **LOC (7) Cl.** ..... **24-01**

(52) **U.S. Cl.** ..... **D24/108; D24/133**

(58) **Field of Search** ..... D24/108, 111, D24/128, 127, 114, 113, 112, 133; 604/410, 416, 411, 131-136, 139, 142, 157, 82, 83, 141; 128/DIG. 12

(56) **References Cited**

U.S. PATENT DOCUMENTS

4,458,733 A \* 7/1984 Lyons ..... 604/410

5,267,957 A \* 12/1993 Kriesel et al. .... 604/132

5,336,180 A \* 8/1994 Kriesel et al. .... 604/131

5,466,220 A \* 11/1995 Brenneman ..... 604/411

D404,482 S \* 1/1999 Falk et al. .... D24/113

6,030,363 A \* 2/2000 Kriesel ..... 604/132

\* cited by examiner

*Primary Examiner*—Ian Simmons

(74) *Attorney, Agent, or Firm*—Kathleen Maher Lynch

(57) **CLAIM**

The ornamental design for a drug conversion device, as shown.

**DESCRIPTION**

FIG. 1 is a perspective view of our new drug conversion device;

FIG. 2 is a rear view thereof;

FIG. 3 is a front view thereof;

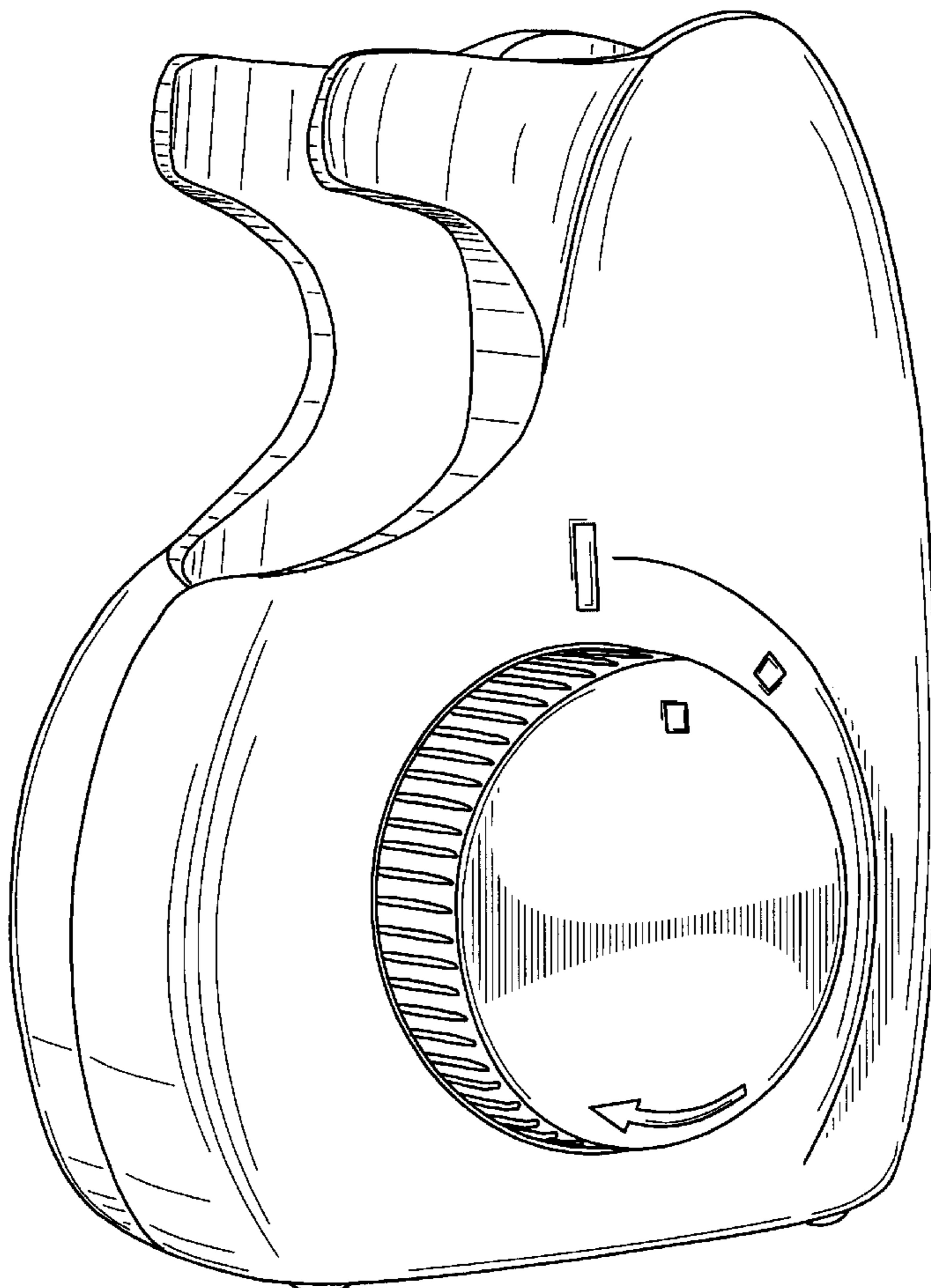
FIG. 4 is a left side view thereof;

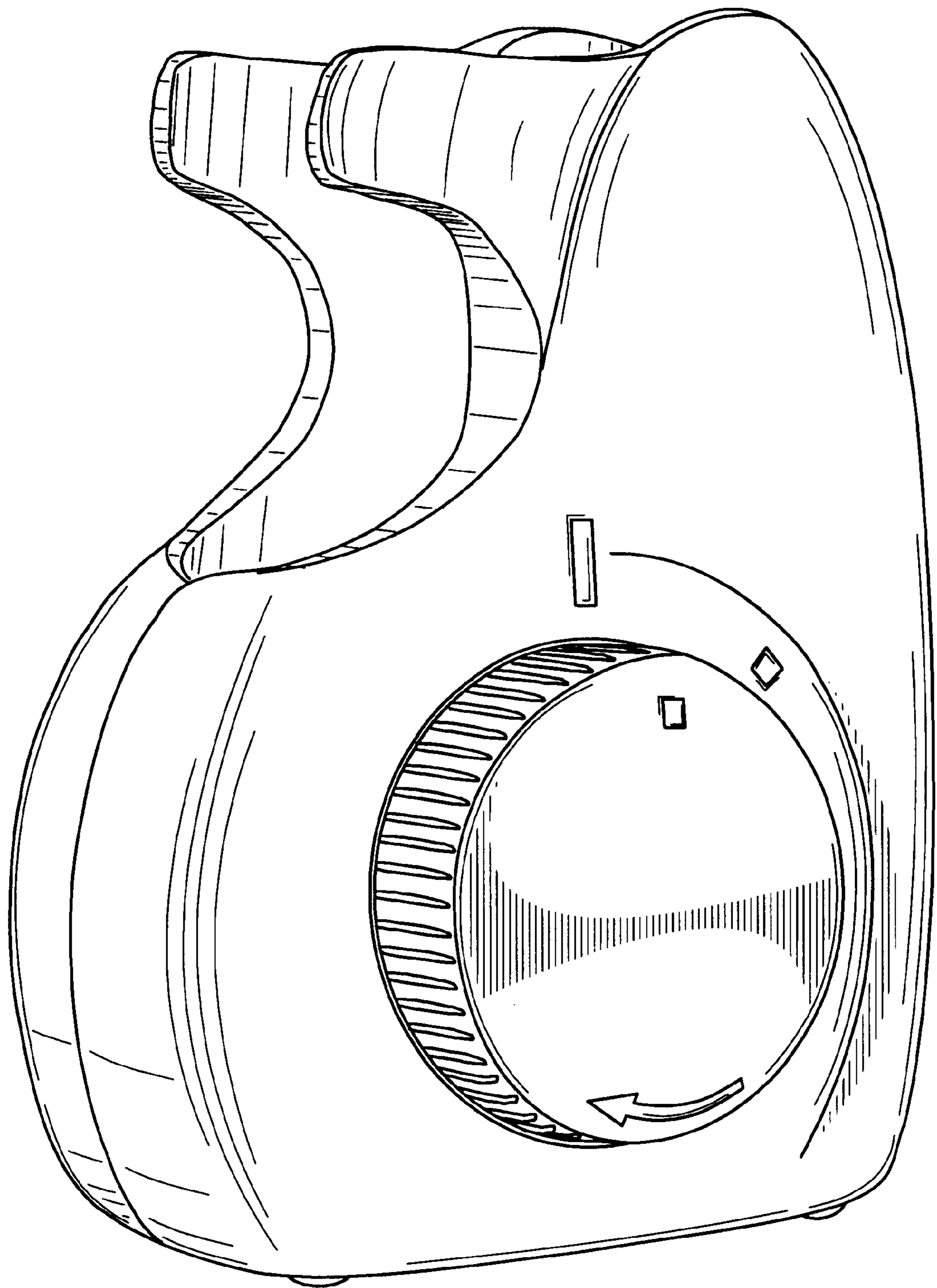
FIG. 5 is a right side view thereof;

FIG. 6 is a top view thereof; and,

FIG. 7 is a bottom view thereof.

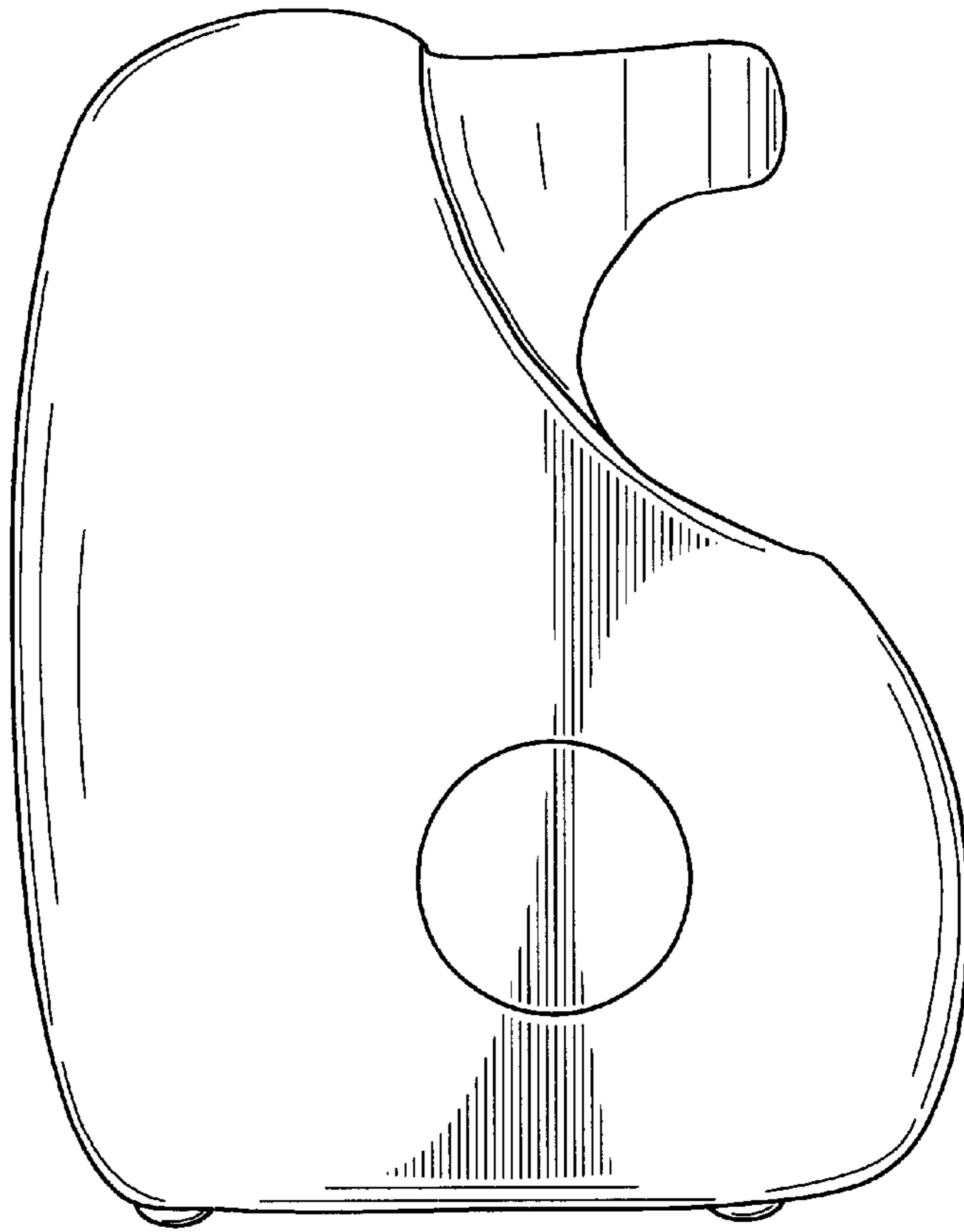
**1 Claim, 4 Drawing Sheets**



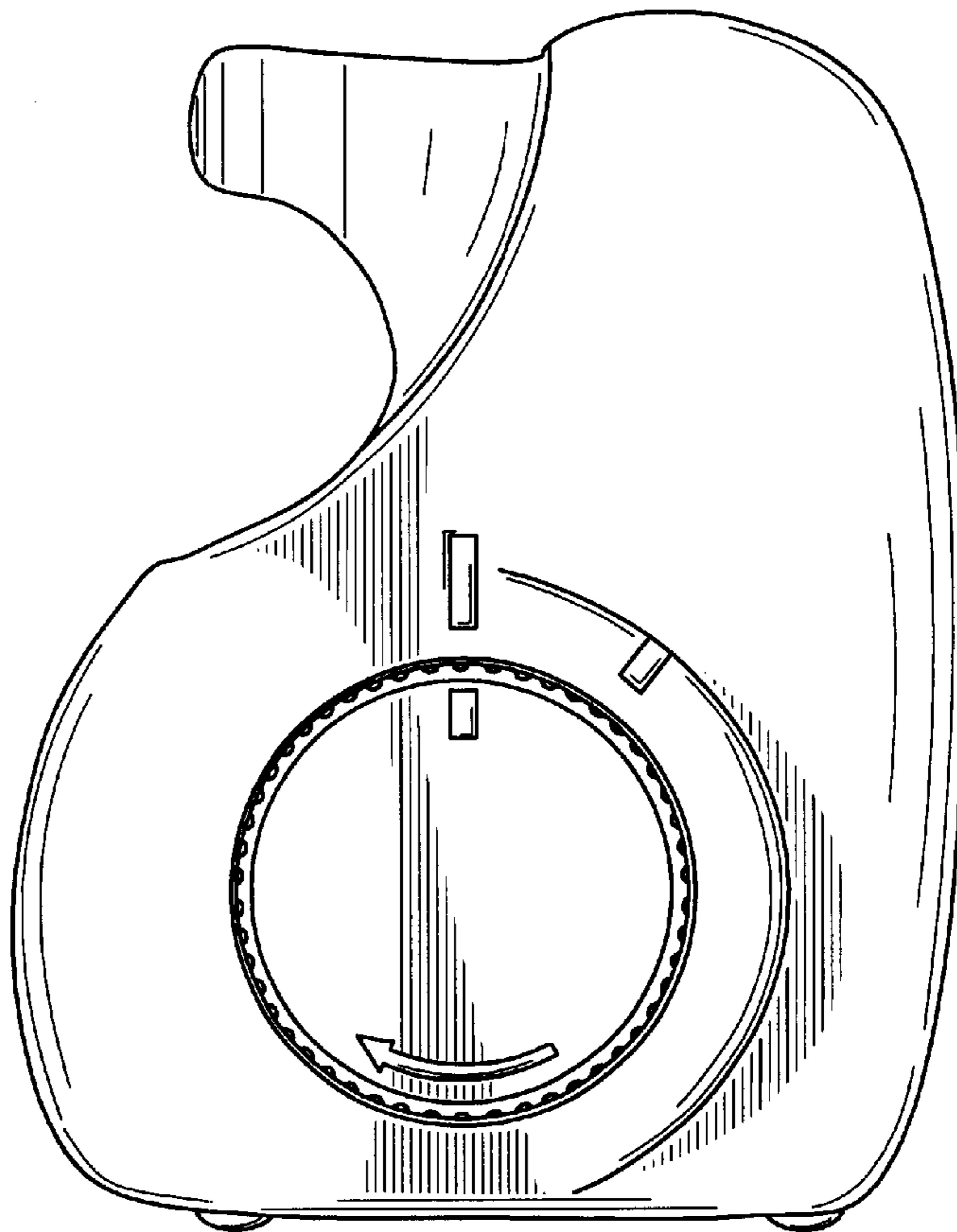


**FIG. 1**

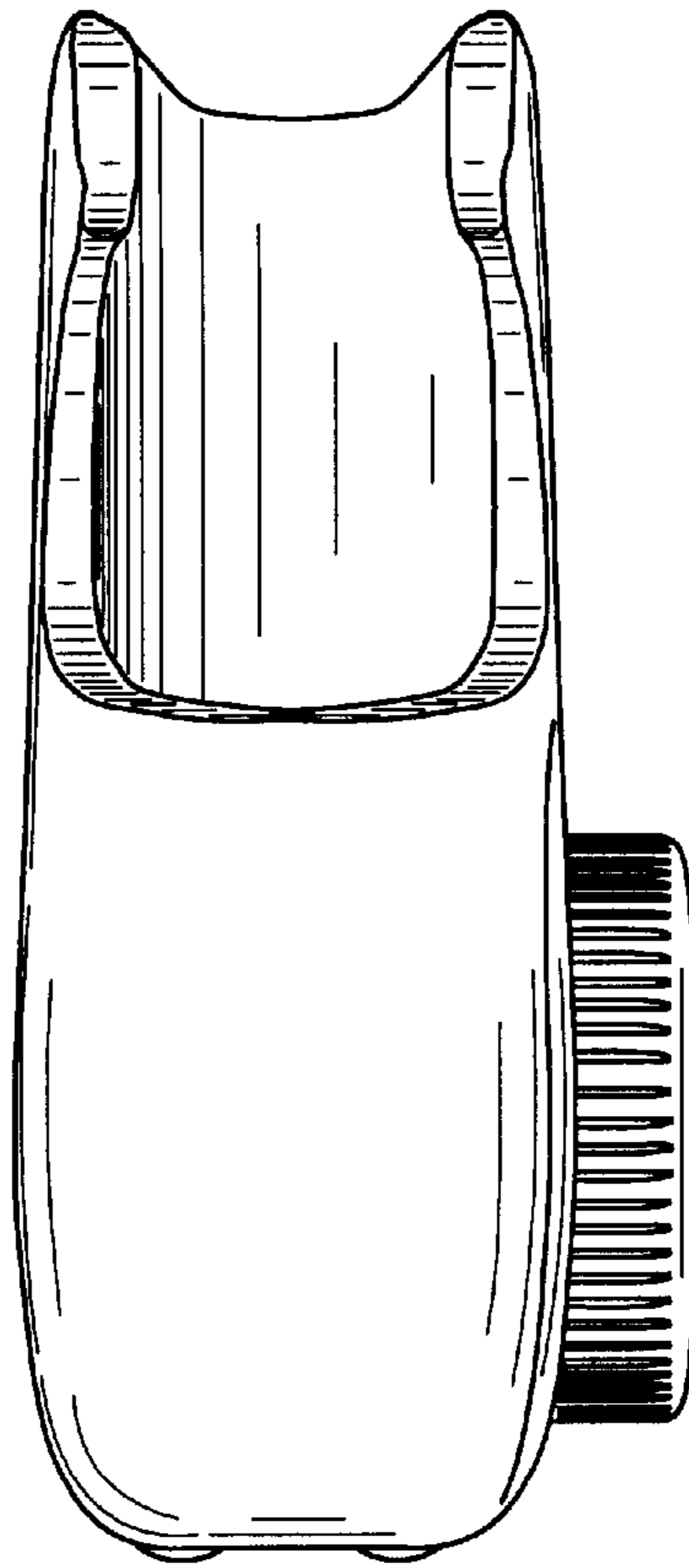
**FIG. 2**



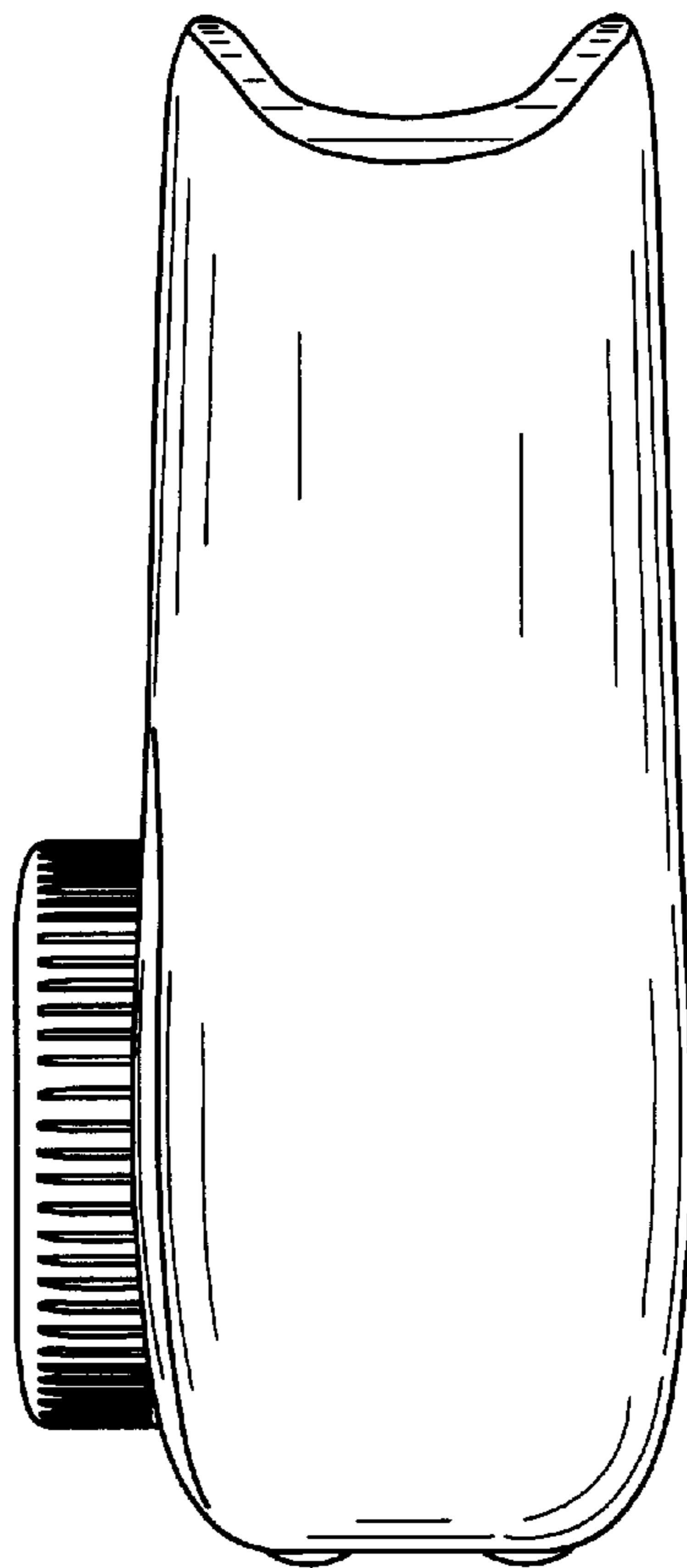
**FIG. 3**

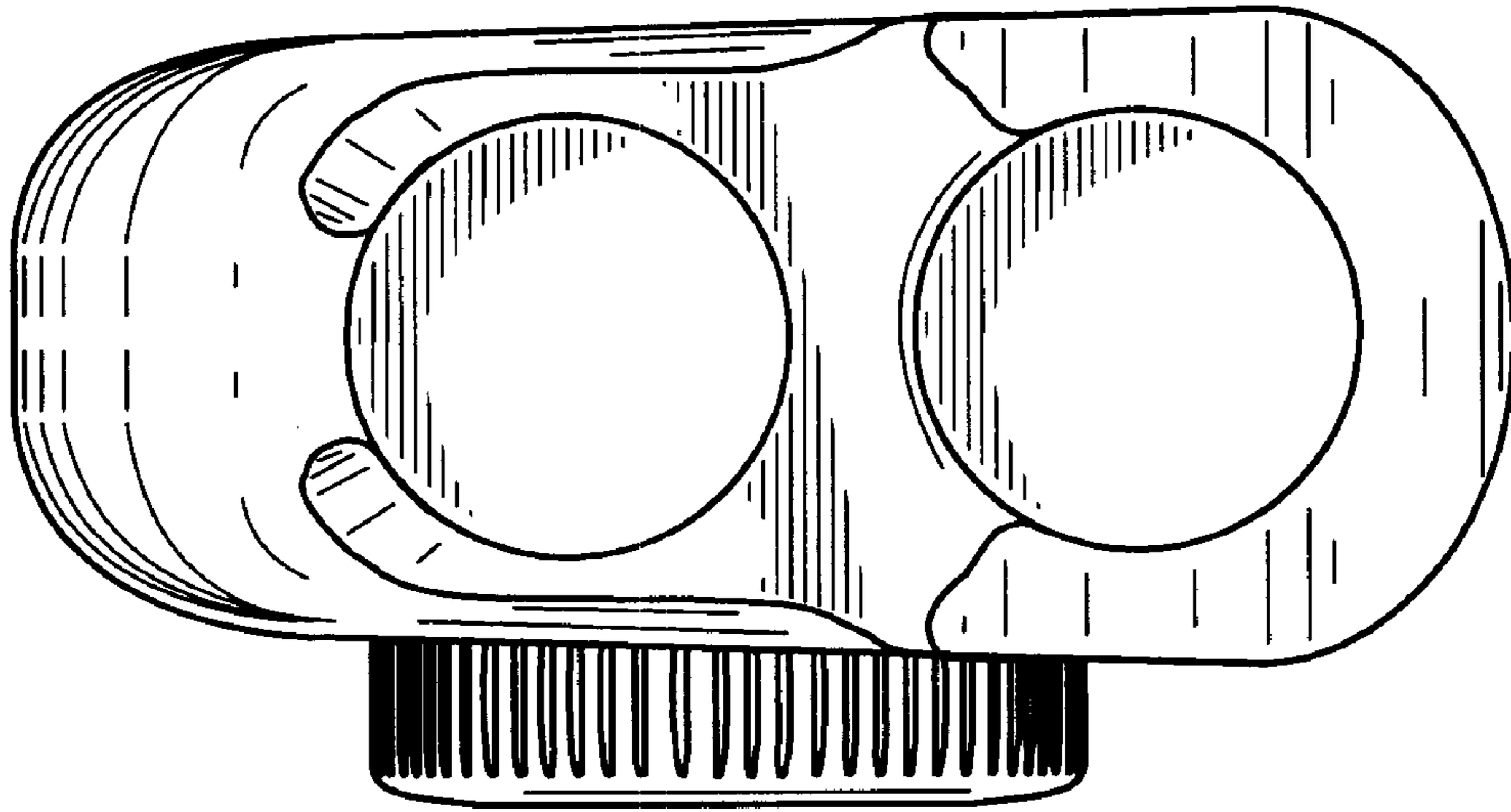


**FIG. 4**

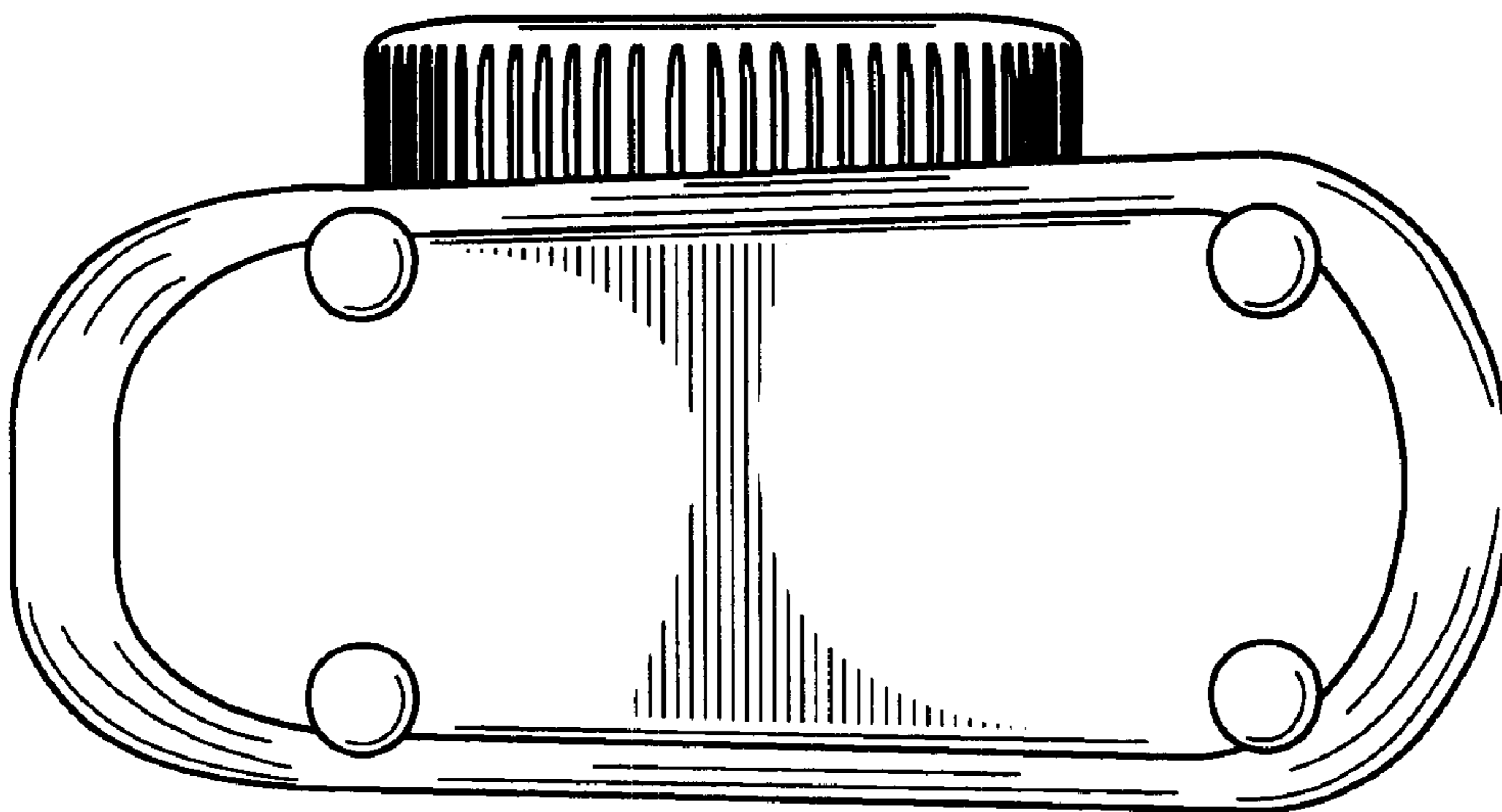


**FIG. 5**





**FIG. 6**



**FIG. 7**