



US00D455206S

(12) **United States Design Patent**
Davis et al.

(10) **Patent No.:** **US D455,206 S**

(45) **Date of Patent:** **** Apr. 2, 2002**

(54) **OUTDOOR FIREPLACE**

(75) Inventors: **Mark E. Davis**, Midland, GA (US);
Eric Schmidt, New Braunfels, TX (US)

(73) Assignee: **W. C. Bradley Company**, Columbus,
GA (US)

(**) Term: **14 Years**

(21) Appl. No.: **29/146,561**

(22) Filed: **Aug. 10, 2001**

(51) **LOC (7) Cl.** **23-03**

(52) **U.S. Cl.** **D23/350; D23/343**

(58) **Field of Search** **D23/342, 343,**
D23/250; 126/500, 519, 540, 542, 543,
548, 554, 555, 25 R, 58

(56) **References Cited**

U.S. PATENT DOCUMENTS

- D187,770 S * 4/1960 Du Sell
- D234,358 S * 2/1975 Lever
- 4,273,096 A * 6/1981 Hannebaum

5,832,915 A * 11/1998 Skidmore et al.

D427,298 S * 6/2000 Maust et al.

6,178,965 B1 * 1/2001 Sulak

6,286,503 B1 * 9/2001 Bach et al.

* cited by examiner

Primary Examiner—B. J. Bullock

(74) *Attorney, Agent, or Firm*—James W. Kayden; Thomas,
Kayden, Horstemeyer & Risley

(57) **CLAIM**

The ornamental design for a outdoor fireplace, as shown and described.

DESCRIPTION

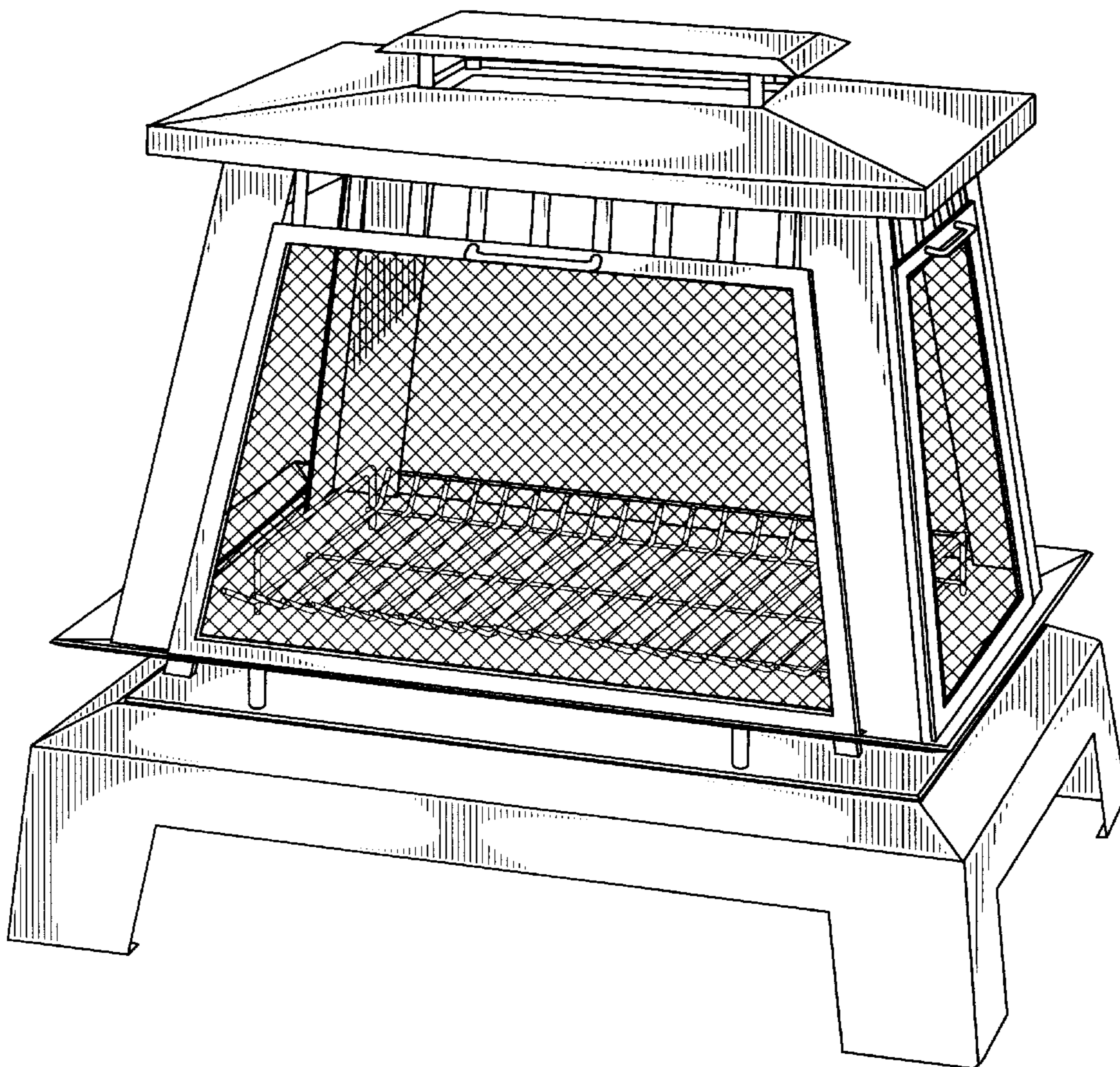
FIG. 1 is a perspective view showing our new outdoor fireplace;

FIG. 2 is a front elevational view thereof, the rear elevational view thereof being a mirror image of that which is shown; FIG. 3 is a left side elevational view thereof; the right side view thereof being a mirror image of that which is shown.

FIG. 4 is a top plan view thereof; and,

FIG. 5 is a bottom plan view thereof.

1 Claim, 3 Drawing Sheets



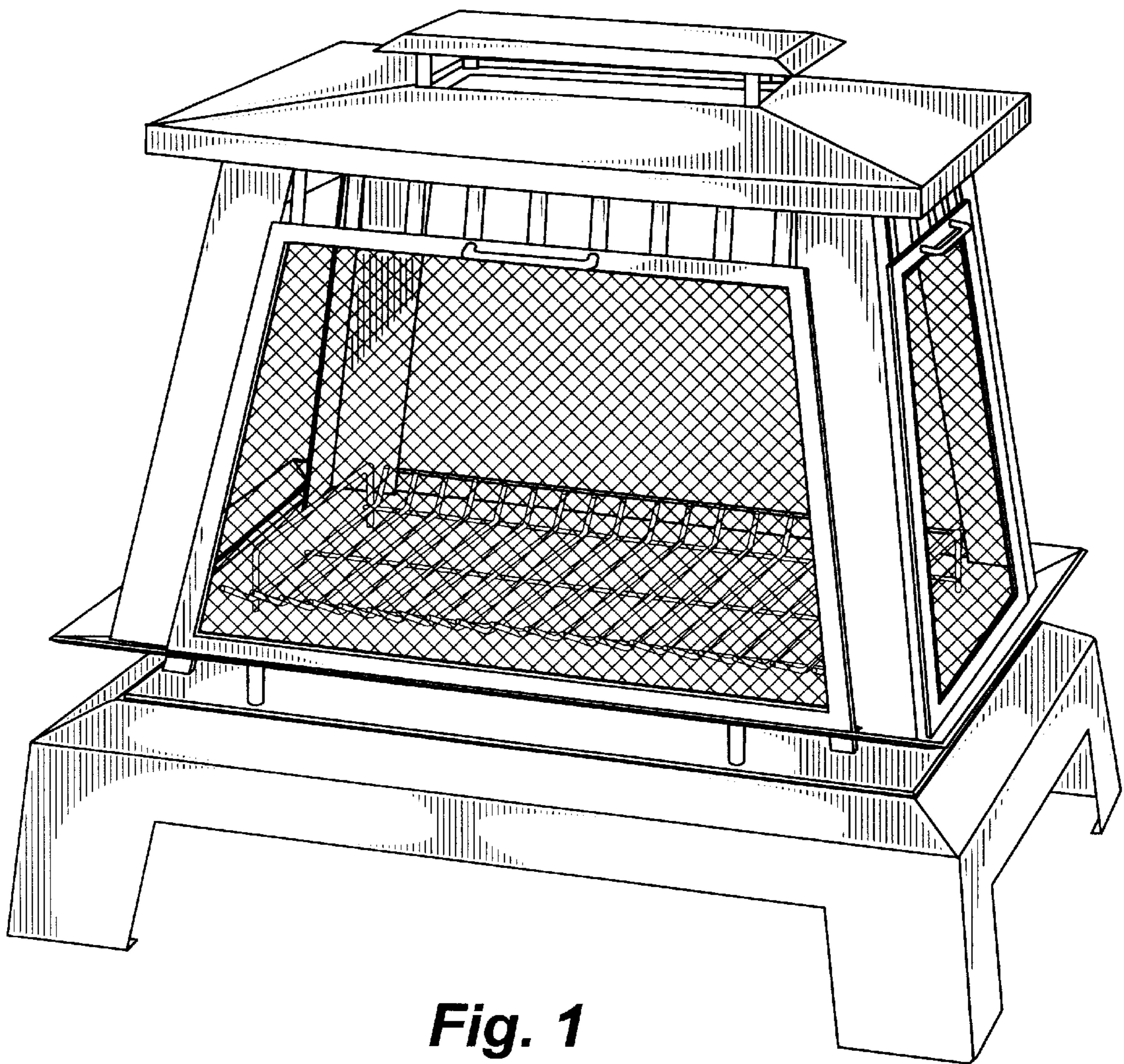


Fig. 1

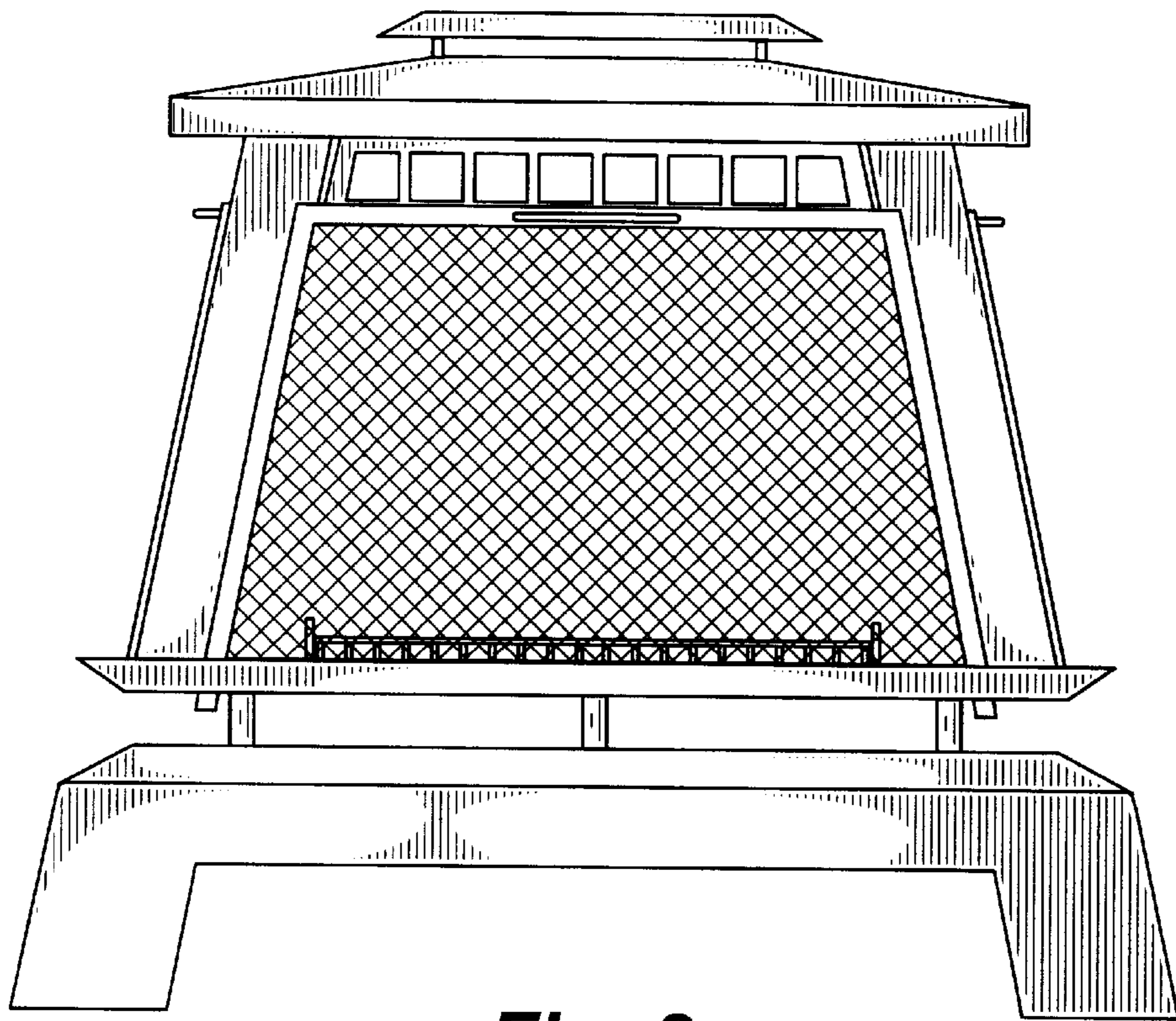


Fig. 2

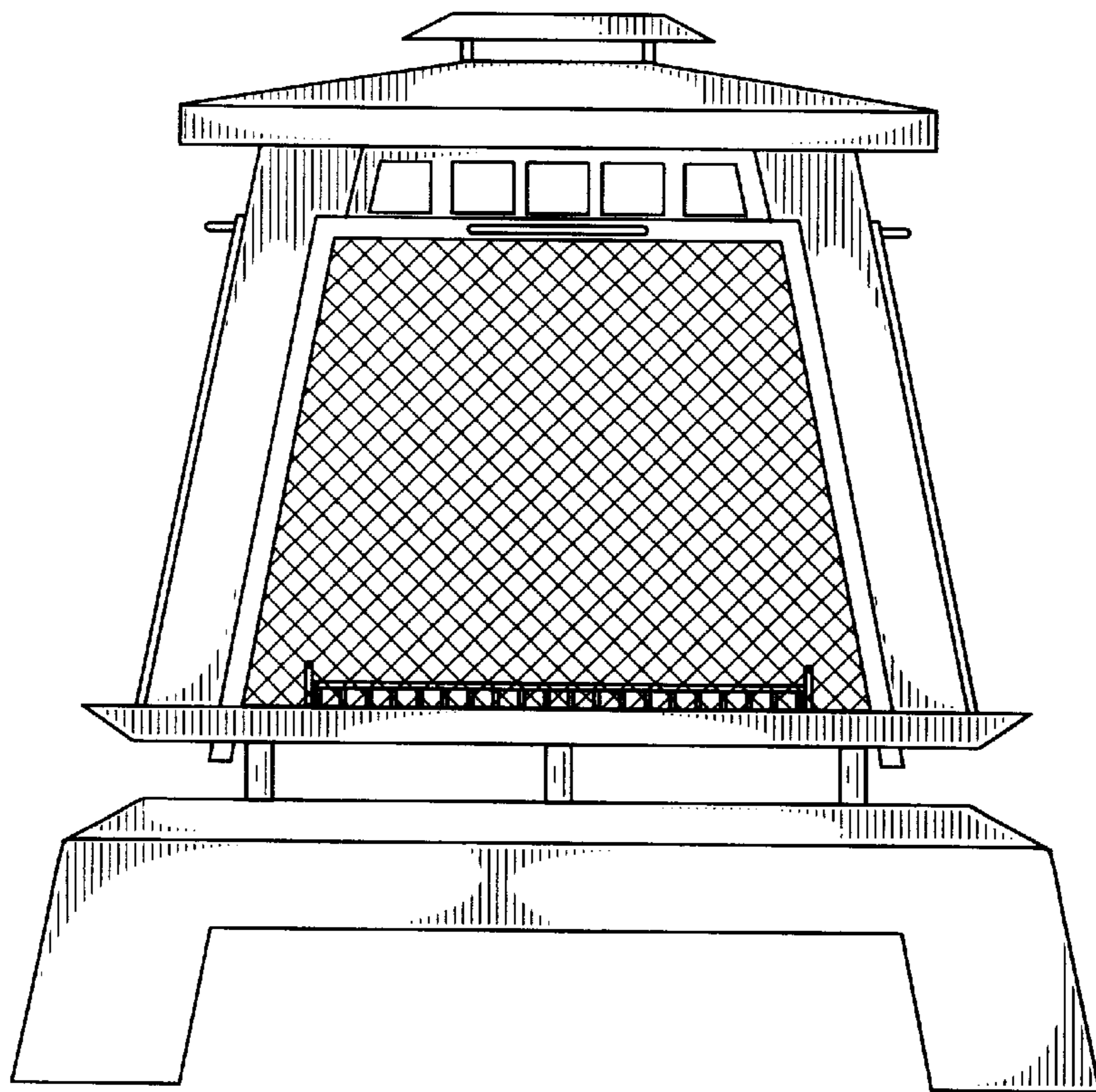


Fig. 3

Fig. 4

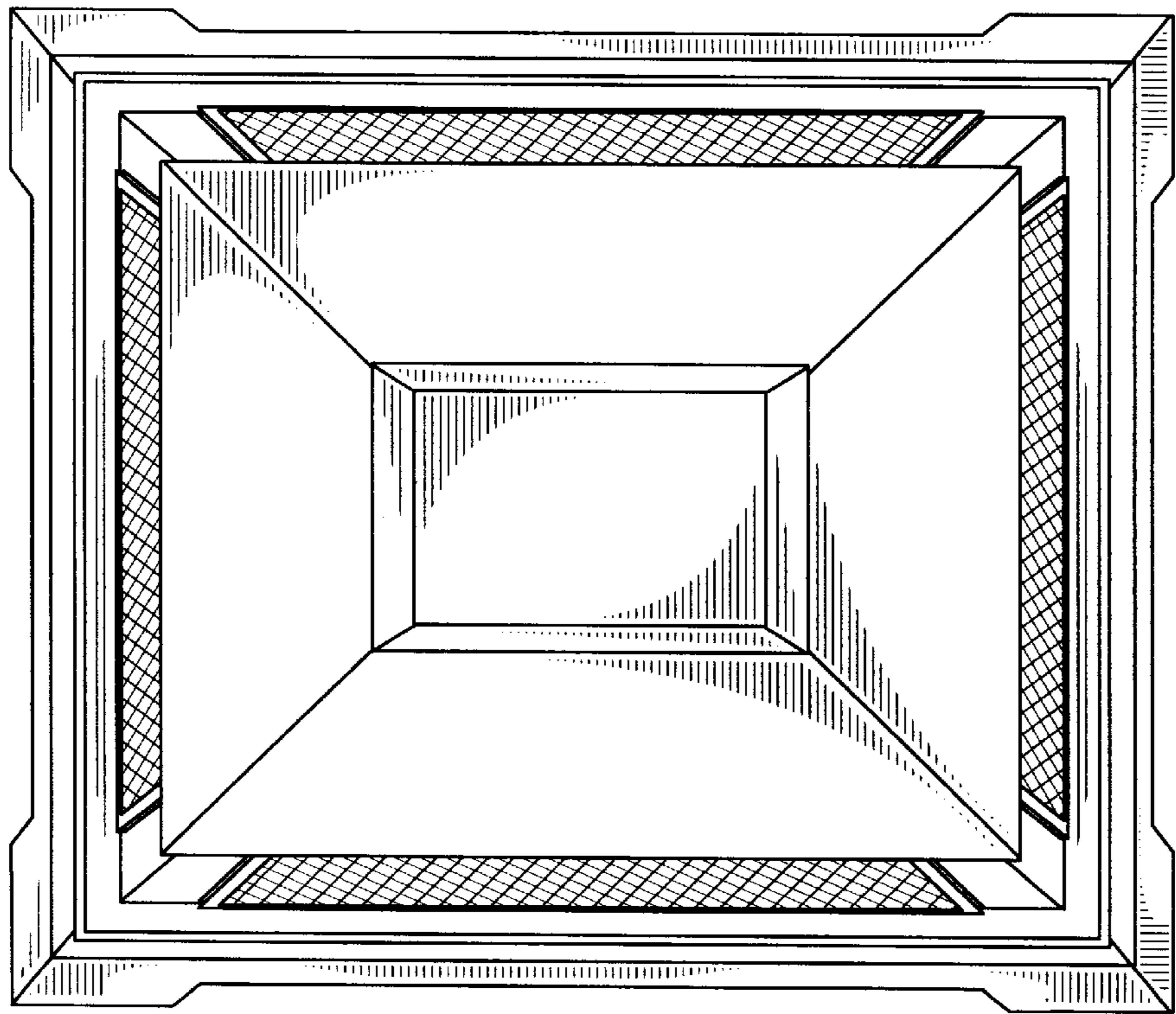


Fig. 5

