



US00D455205S

(12) **United States Design Patent**
Davis et al.

(10) **Patent No.:** **US D455,205 S**

(45) **Date of Patent:** **** Apr. 2, 2002**

(54) **OUTDOOR FIREPLACE WITH ASH
DRAWER**

5,832,915 A * 11/1998 Skidmore et al.
D427,298 S * 6/2000 Maust et al.
6,178,965 B1 * 1/2001 Sulak
6,286,503 B1 * 9/2001 Bach et al.

(75) Inventors: **Mark E. Davis**, Midland, GA (US);
Eric Schmidt, New Braunfels, TX (US)

* cited by examiner

(73) Assignee: **W. C. Bradley Company**, Columbus,
GA (US)

Primary Examiner—B. J. Bullock
(74) *Attorney, Agent, or Firm*—James W. Kayden; Thomas,
Kayden, Horstemeyer & Risley

(**) Term: **14 Years**

(57) **CLAIM**

(21) Appl. No.: **29/146,496**

The ornamental design for a outdoor fireplace with ash
drawer, as shown and described.

(22) Filed: **Aug. 10, 2001**

(51) **LOC (7) Cl.** **23-03**

DESCRIPTION

(52) **U.S. Cl.** **D23/350; D23/343**

(58) **Field of Search** D23/342, 343,
D23/250; 126/500, 519, 540, 542, 543,
548, 554, 555, 25 R, 58, 245, 243

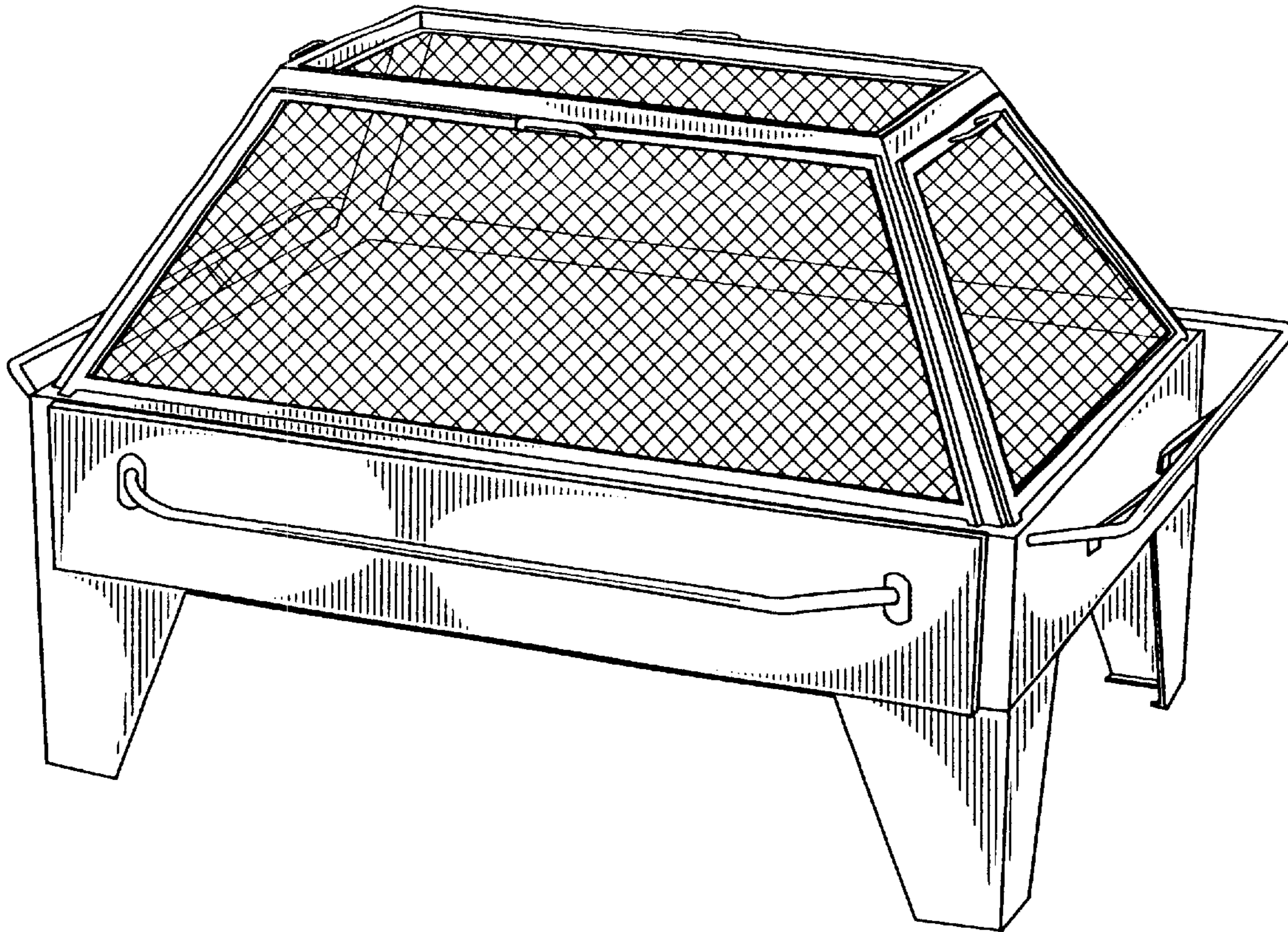
FIG. 1 is a perspective view showing our new outdoor
fireplace with ash drawer;
FIG. 2 is a front elevational view thereof;
FIG. 3 is a rear elevational view thereof;
FIG. 4 is a right side elevational, the left side view thereof
being a mirror image of that which is shown;
FIG. 5 is a top plan view thereof; and,
FIG. 6 is a bottom plan view thereof.

(56) **References Cited**

U.S. PATENT DOCUMENTS

1,898,846 A * 2/1933 Middleton
D234,358 S * 2/1975 Lever
D375,347 S * 11/1996 Whalen et al.

1 Claim, 3 Drawing Sheets



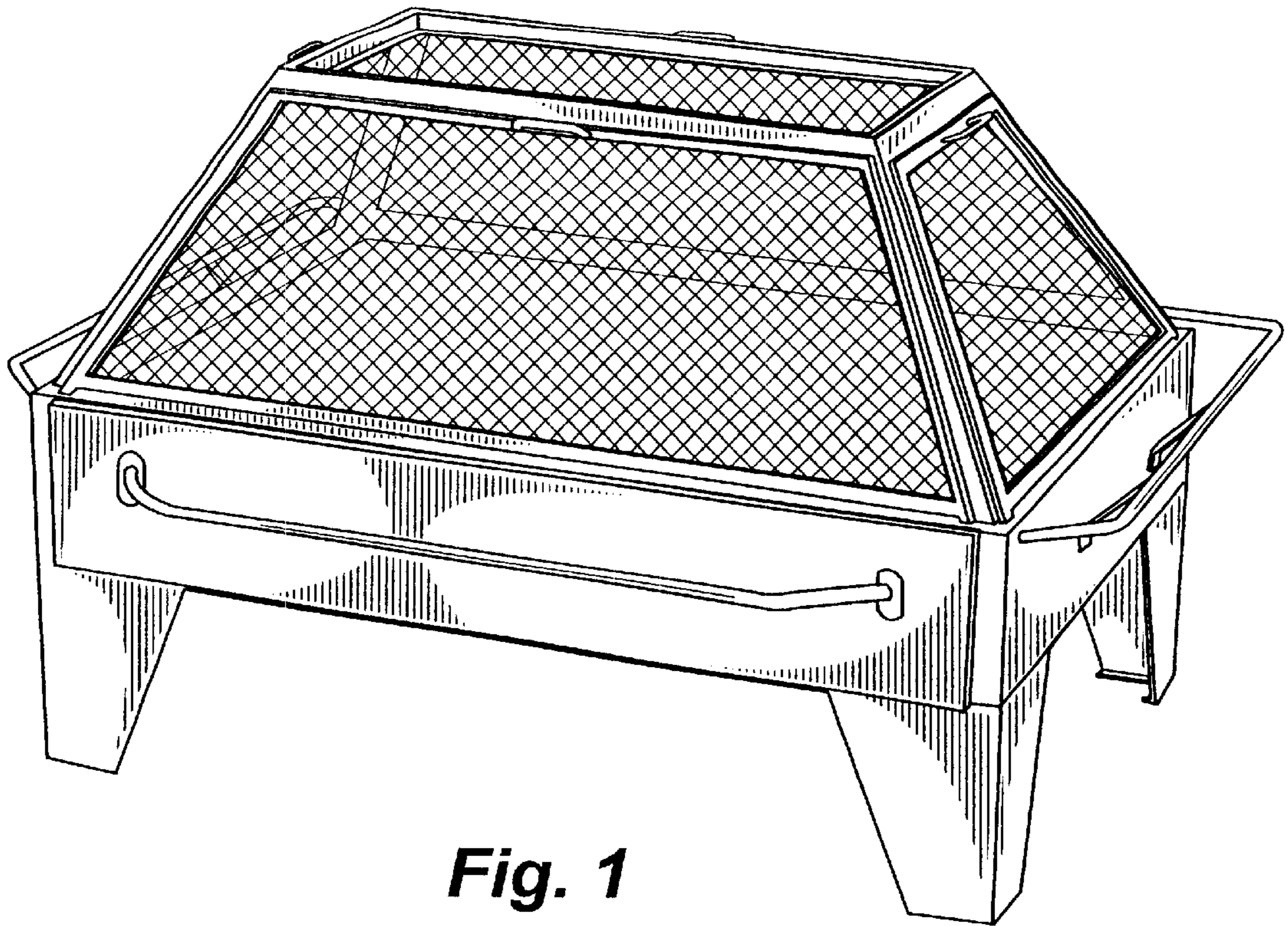


Fig. 1

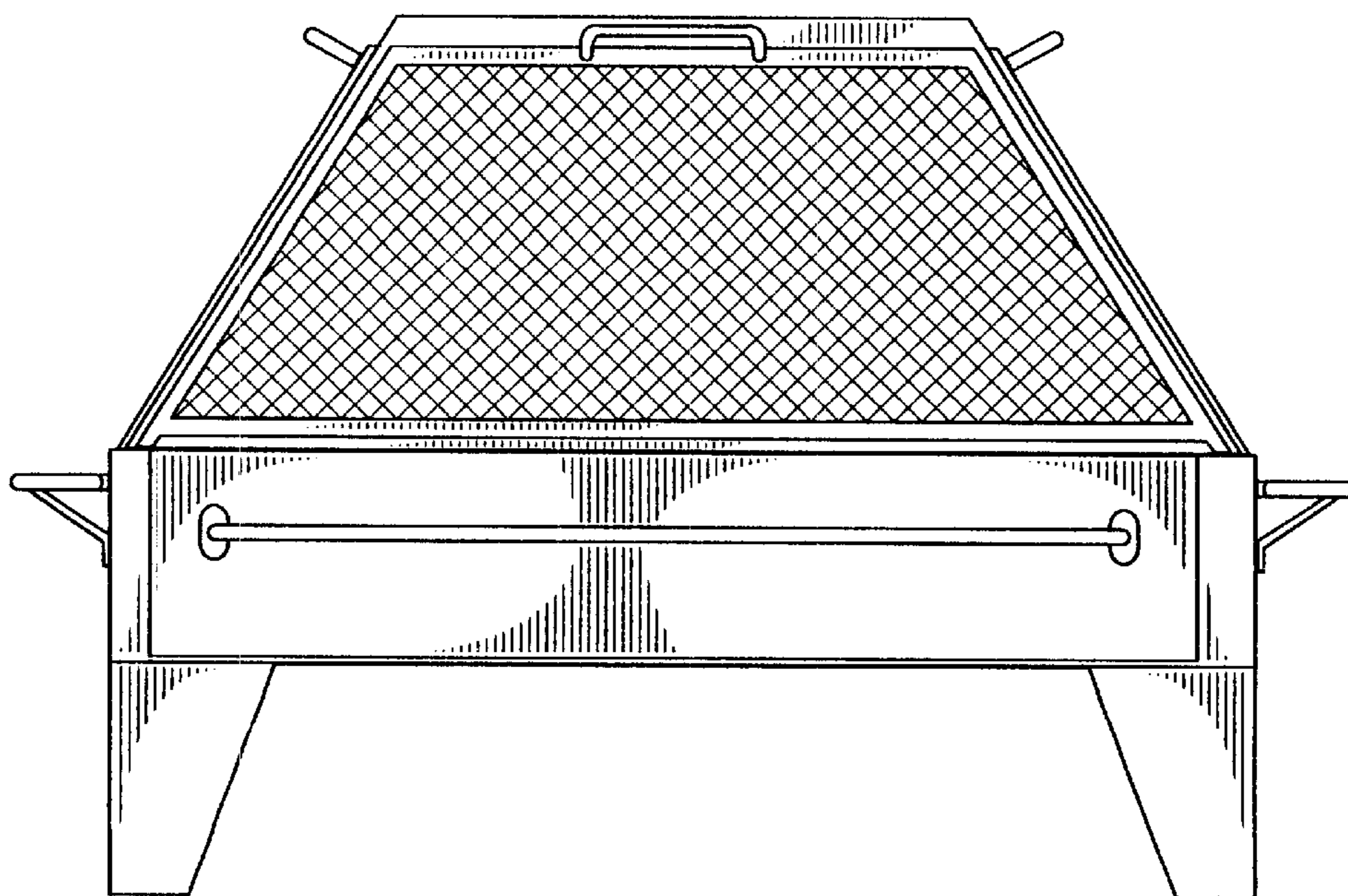


Fig. 2

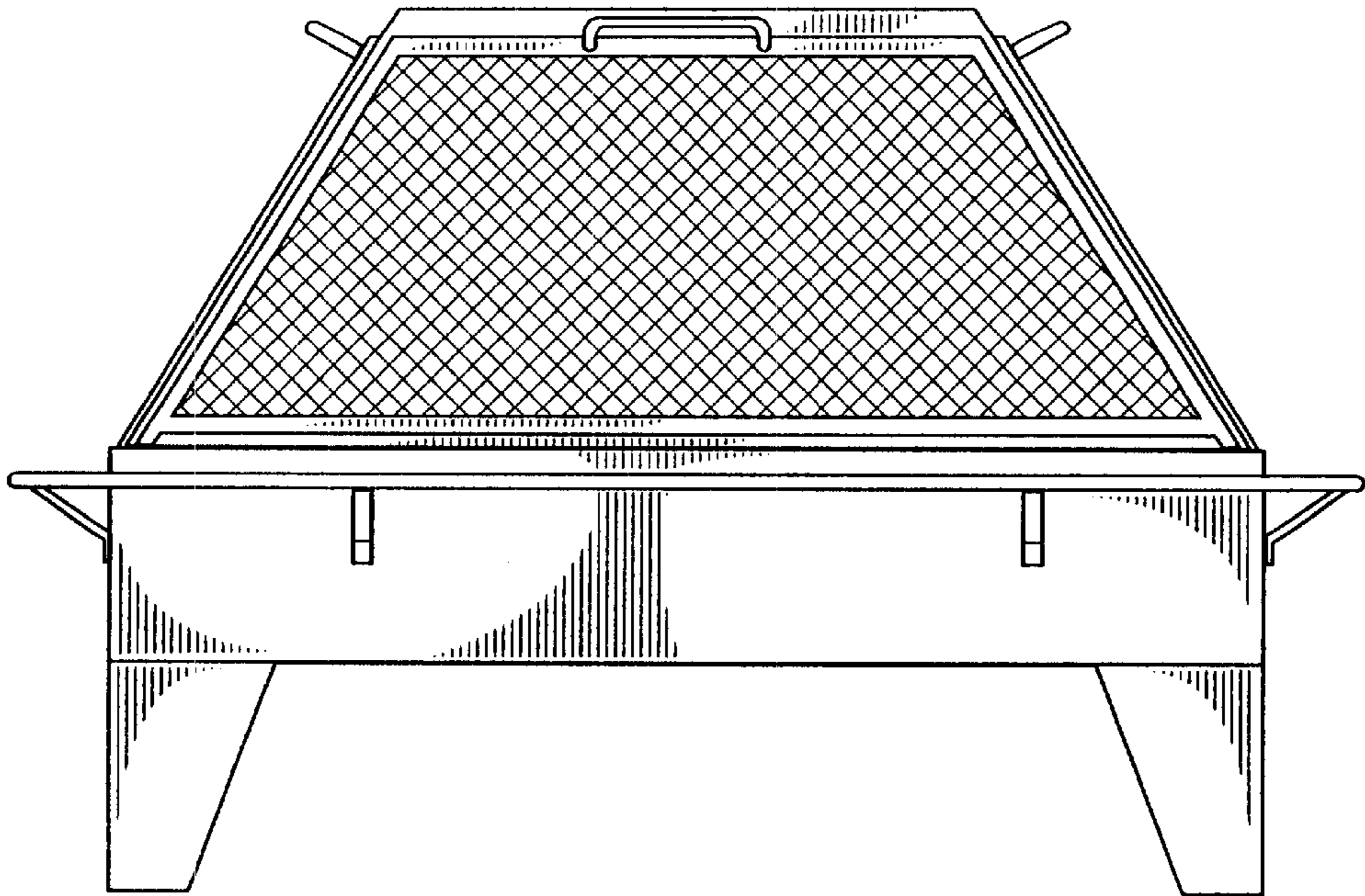


Fig. 3

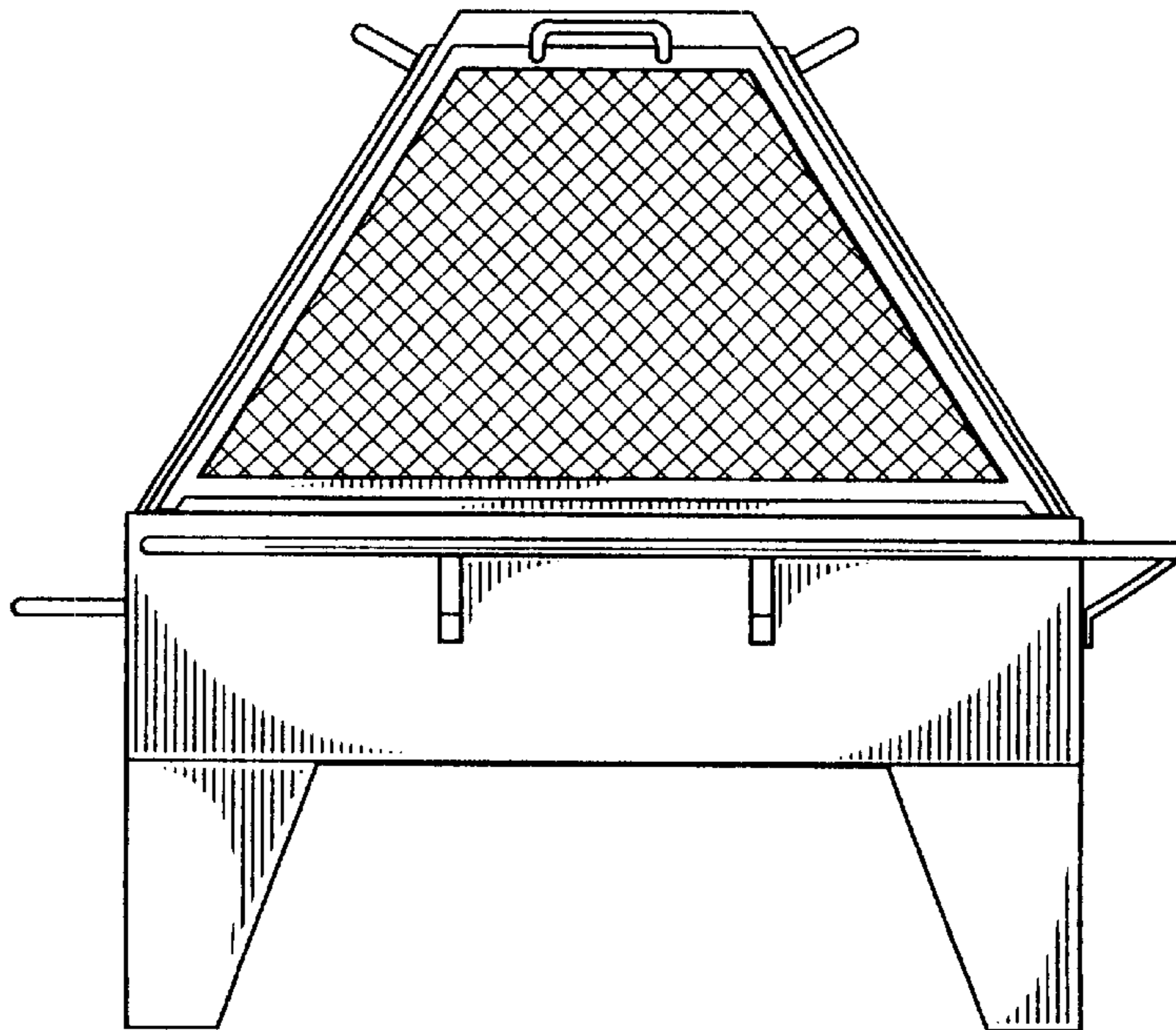


Fig. 4

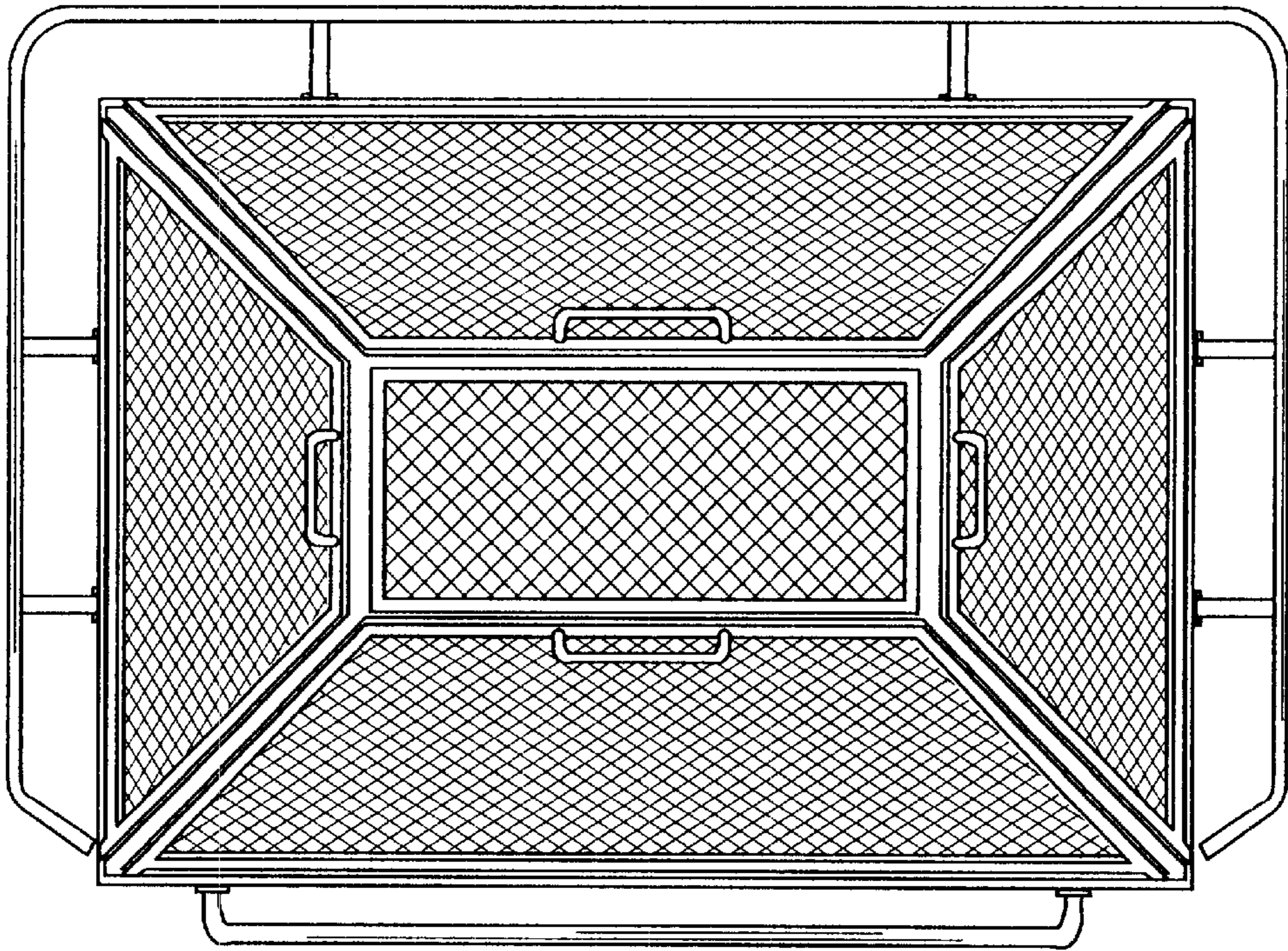


Fig. 5

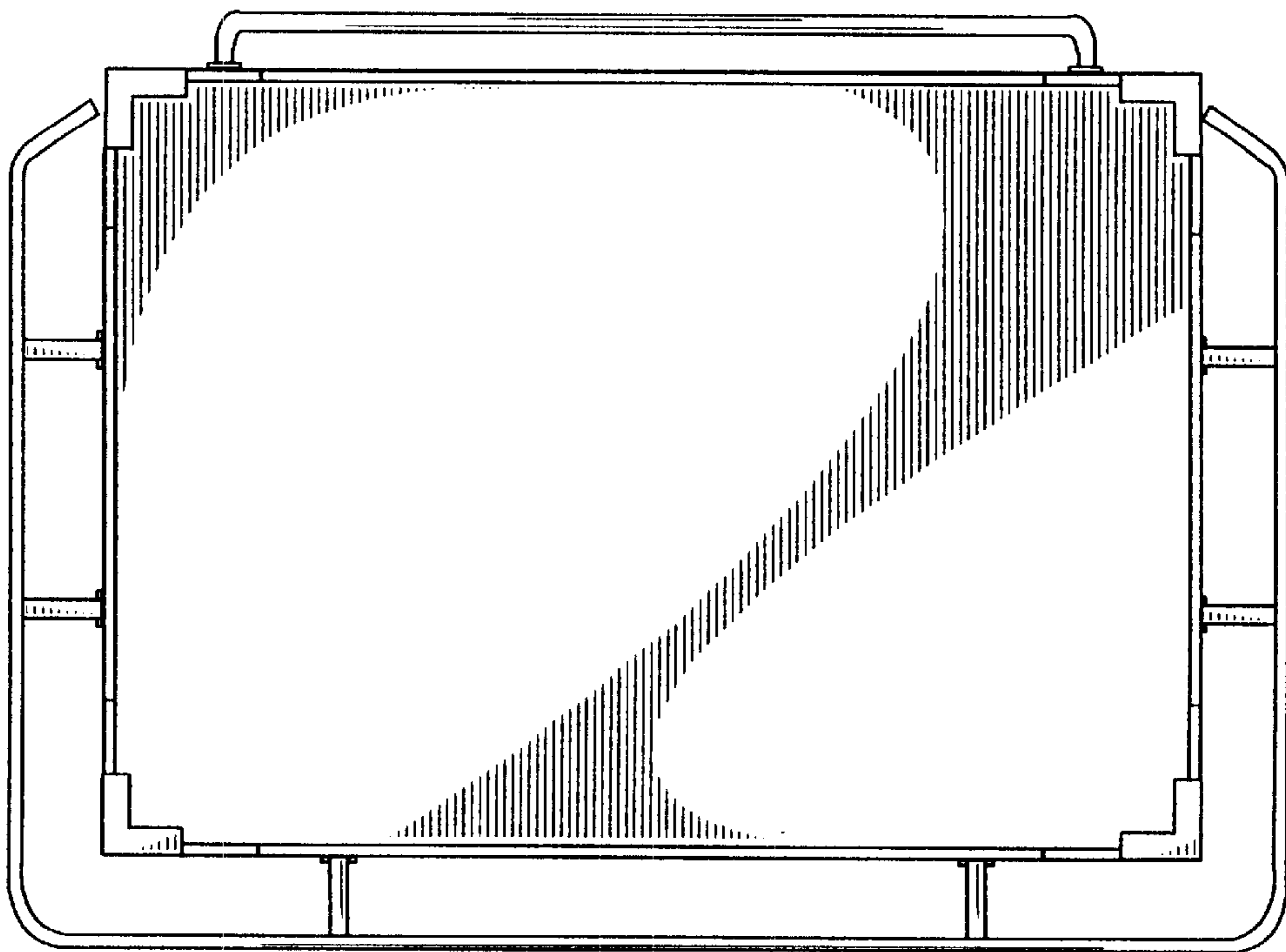


Fig. 6