



US00D455204S

(12) **United States Design Patent**
Bossler

(10) **Patent No.:** **US D455,204 S**

(45) **Date of Patent:** **** Apr. 2, 2002**

(54) **PORTABLE HEATER**

(75) Inventor: **Martin C. Bossler**, Spring Grove, IL (US)

(73) Assignee: **Uniflame Corporation**, Zion, IL (US)

(**) Term: **14 Years**

(21) Appl. No.: **29/143,937**

(22) Filed: **Jun. 22, 2001**

(51) **LOC (7) Cl.** **23-03**

(52) **U.S. Cl.** **D23/342**

(58) **Field of Search** D23/314, 342, D23/350, 343; 126/92 B, 59, 59.5, 85 R

(56) **References Cited**

U.S. PATENT DOCUMENTS

- 1,455,551 A * 5/1923 Ryan
- 1,798,290 A * 3/1931 Winner et al.
- D325,963 S * 5/1992 Anderson D23/342

- D429,324 S * 8/2000 Olson et al. D23/342
- D445,889 S * 7/2001 Resmo et al. D23/342
- D446,290 S * 8/2001 Jeng D23/342
- D447,796 S * 9/2001 Resmo et al. D23/342

* cited by examiner

Primary Examiner—B. J. Bullock

(74) *Attorney, Agent, or Firm*—Greer, Burns & Crain Ltd.

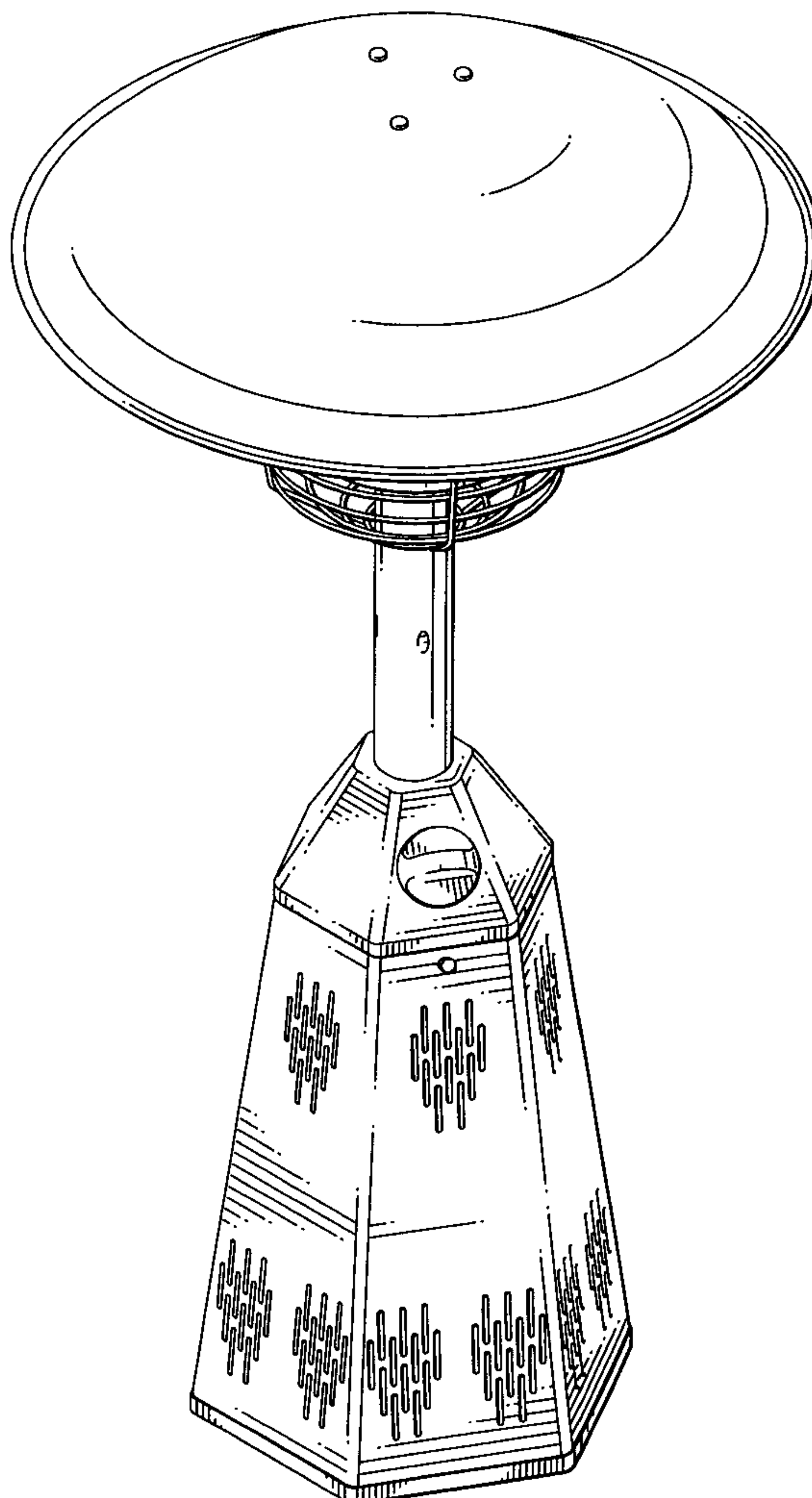
(57) **CLAIM**

The ornamental design for a portable heater, as shown and described.

DESCRIPTION

FIG. 1 is a perspective elevational view of my new design; FIG. 2 is a front view of the embodiment of FIG. 1; FIG. 3 is a left side view of same; FIG. 4 is a right side view thereof; FIG. 5 is a rear view thereof; FIG. 6 is a top view of the new portable heater; and, FIG. 7 is a bottom view thereof.

1 Claim, 7 Drawing Sheets



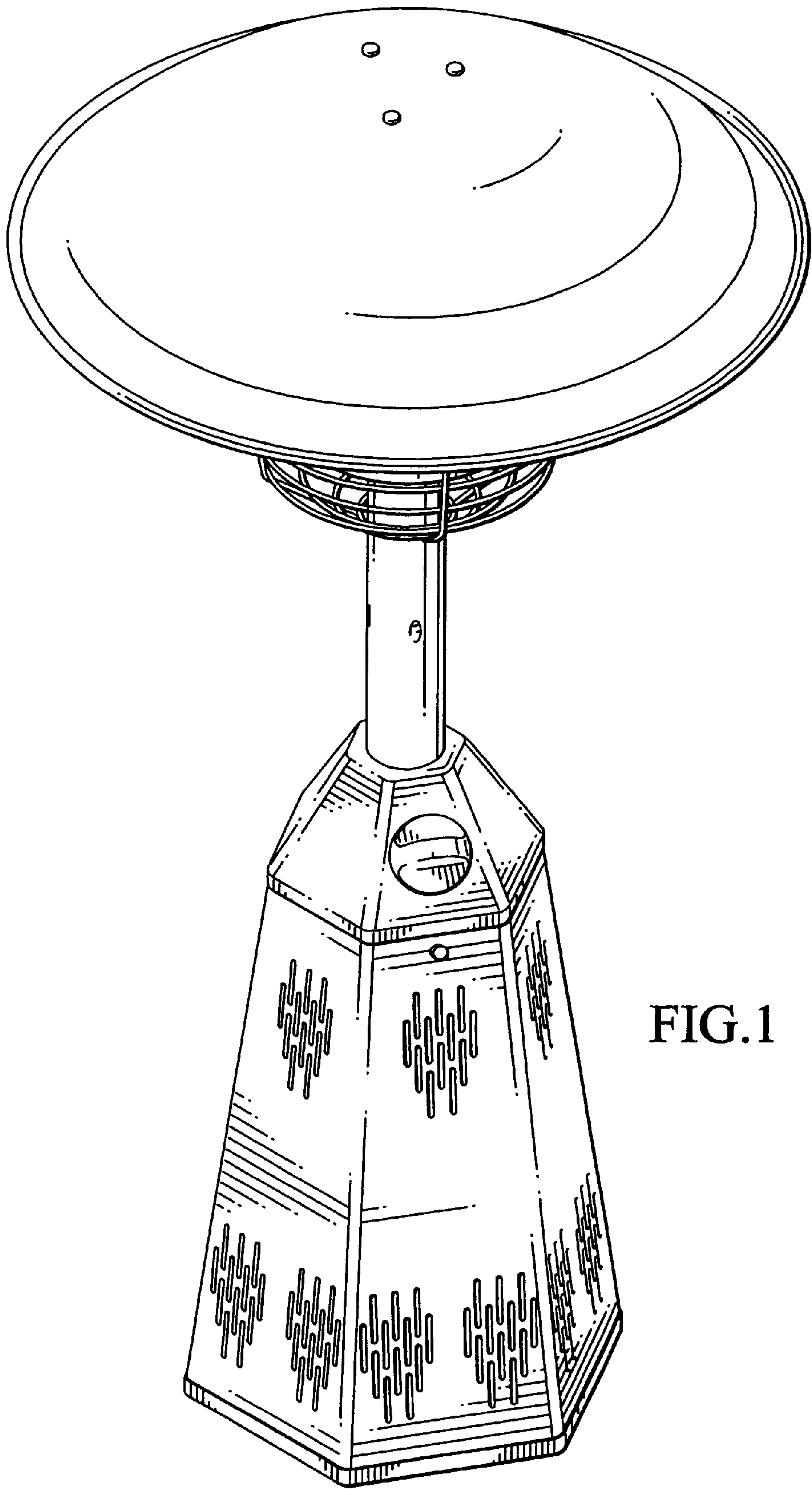


FIG. 1

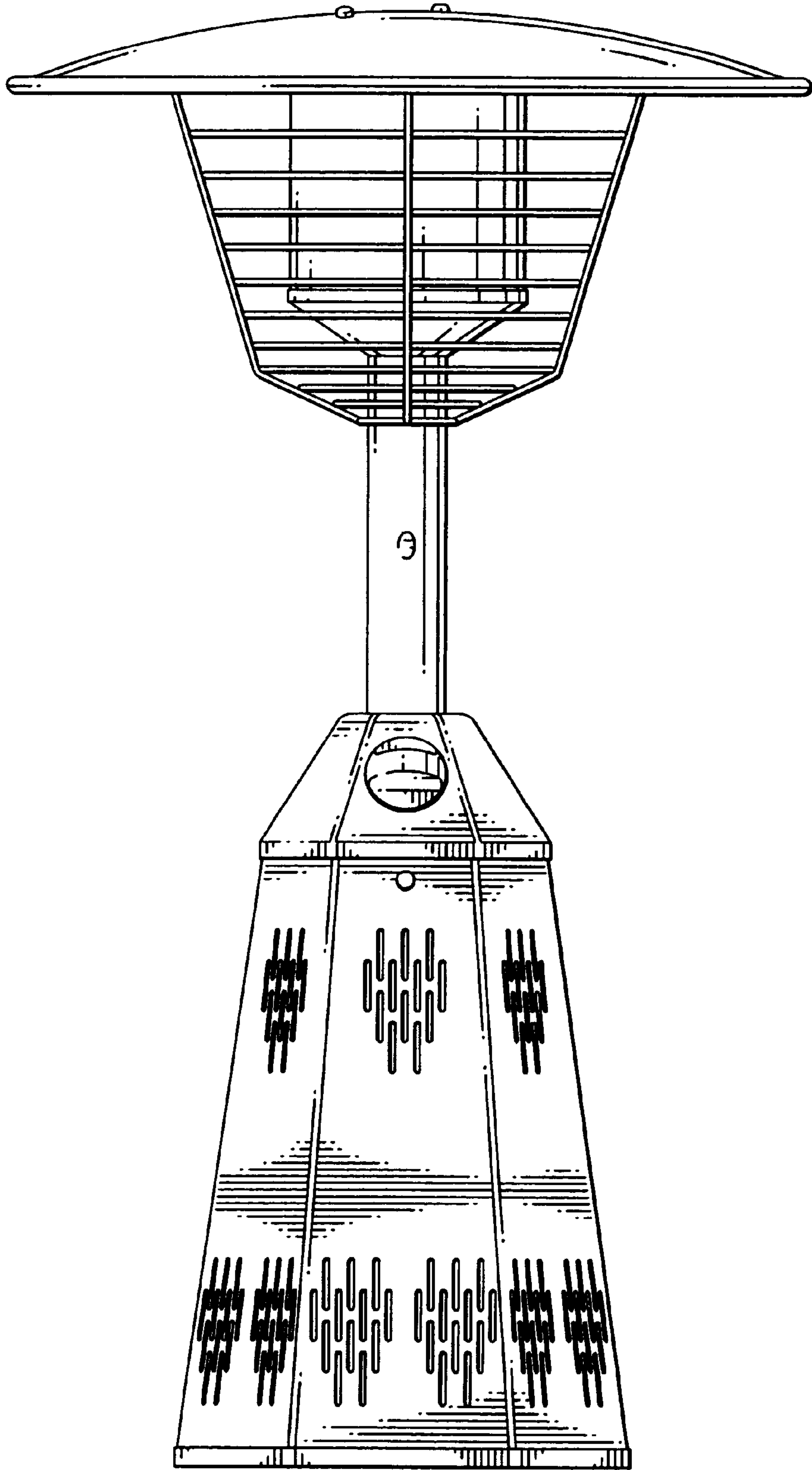


FIG. 2

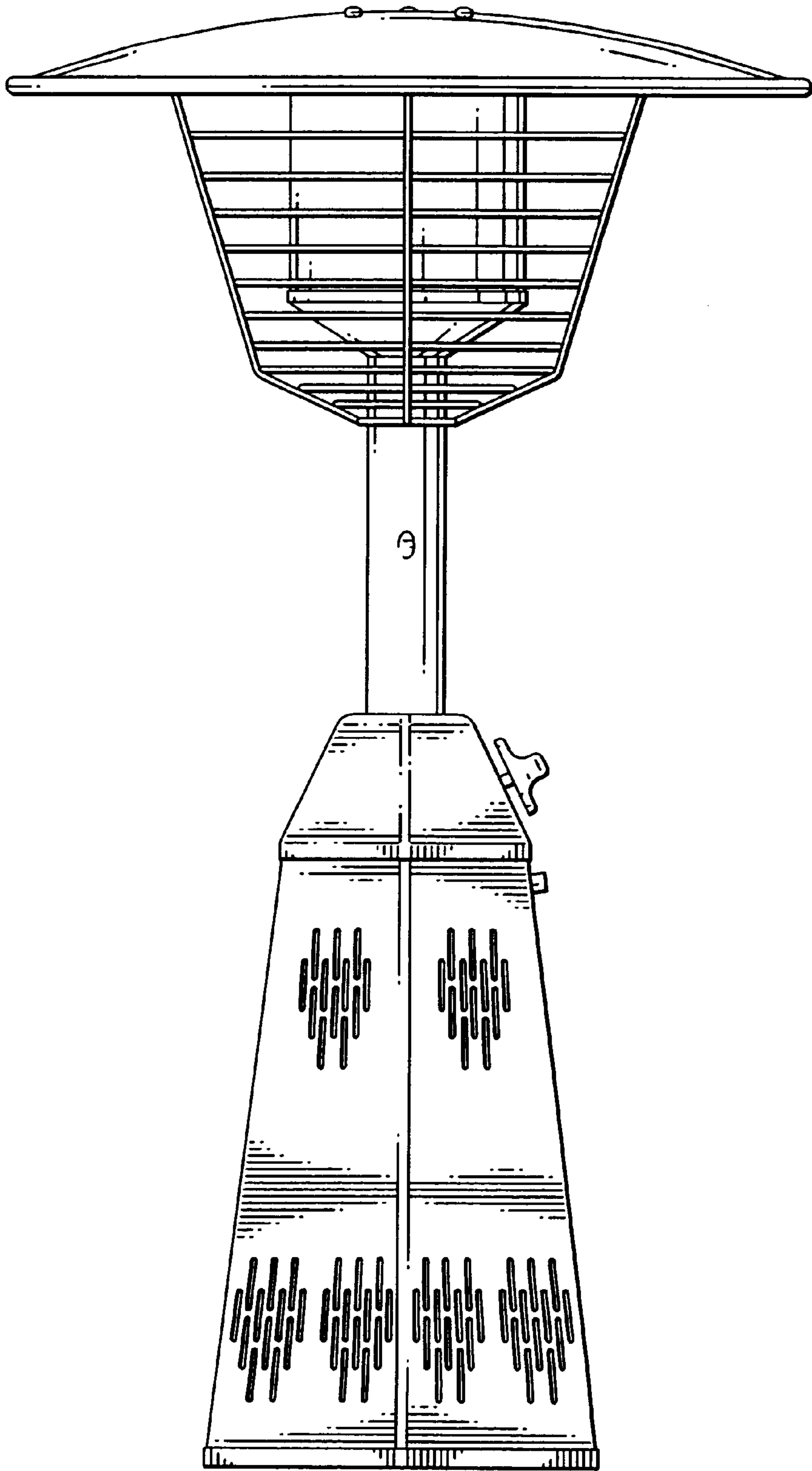


FIG.3

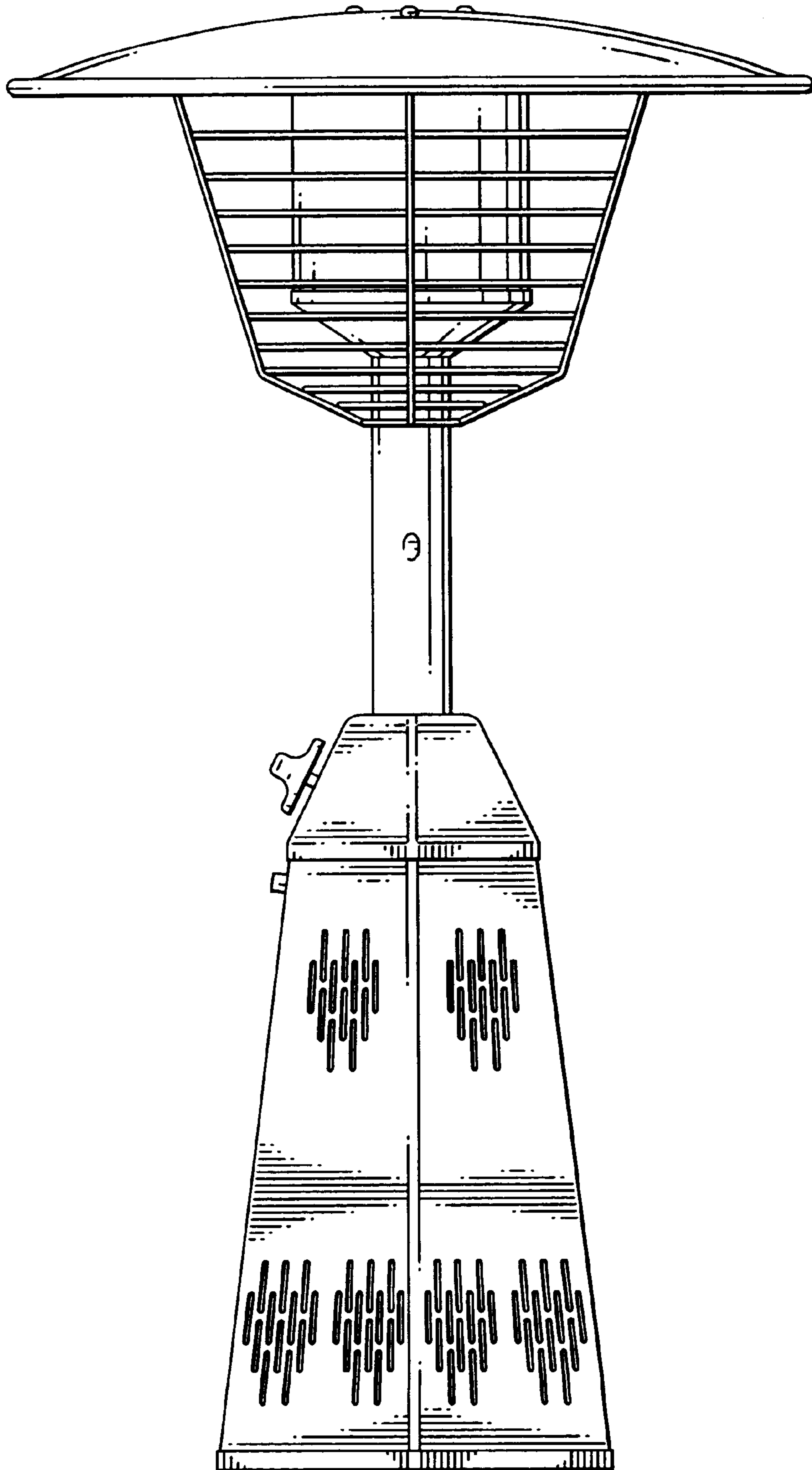


FIG. 4

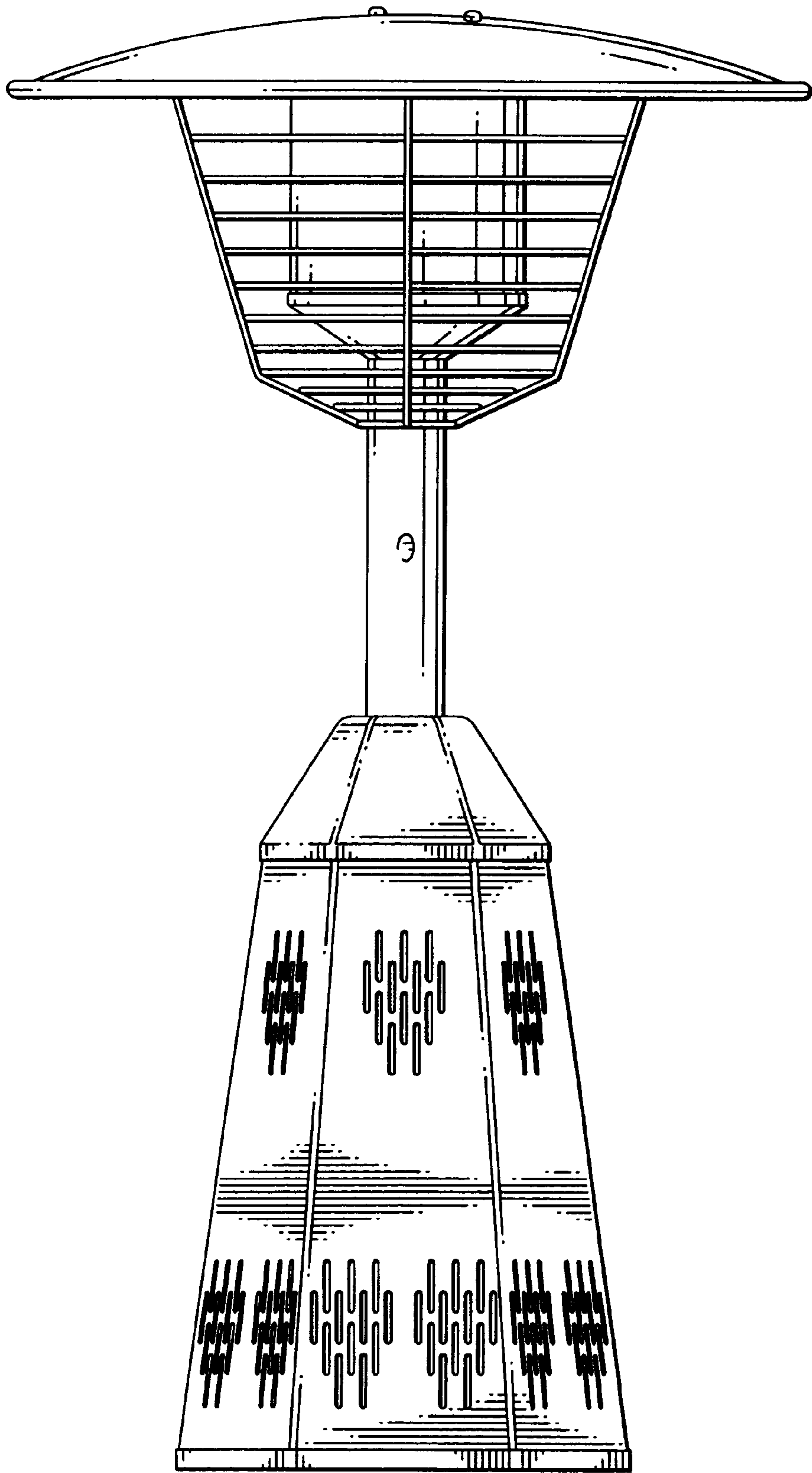


FIG. 5

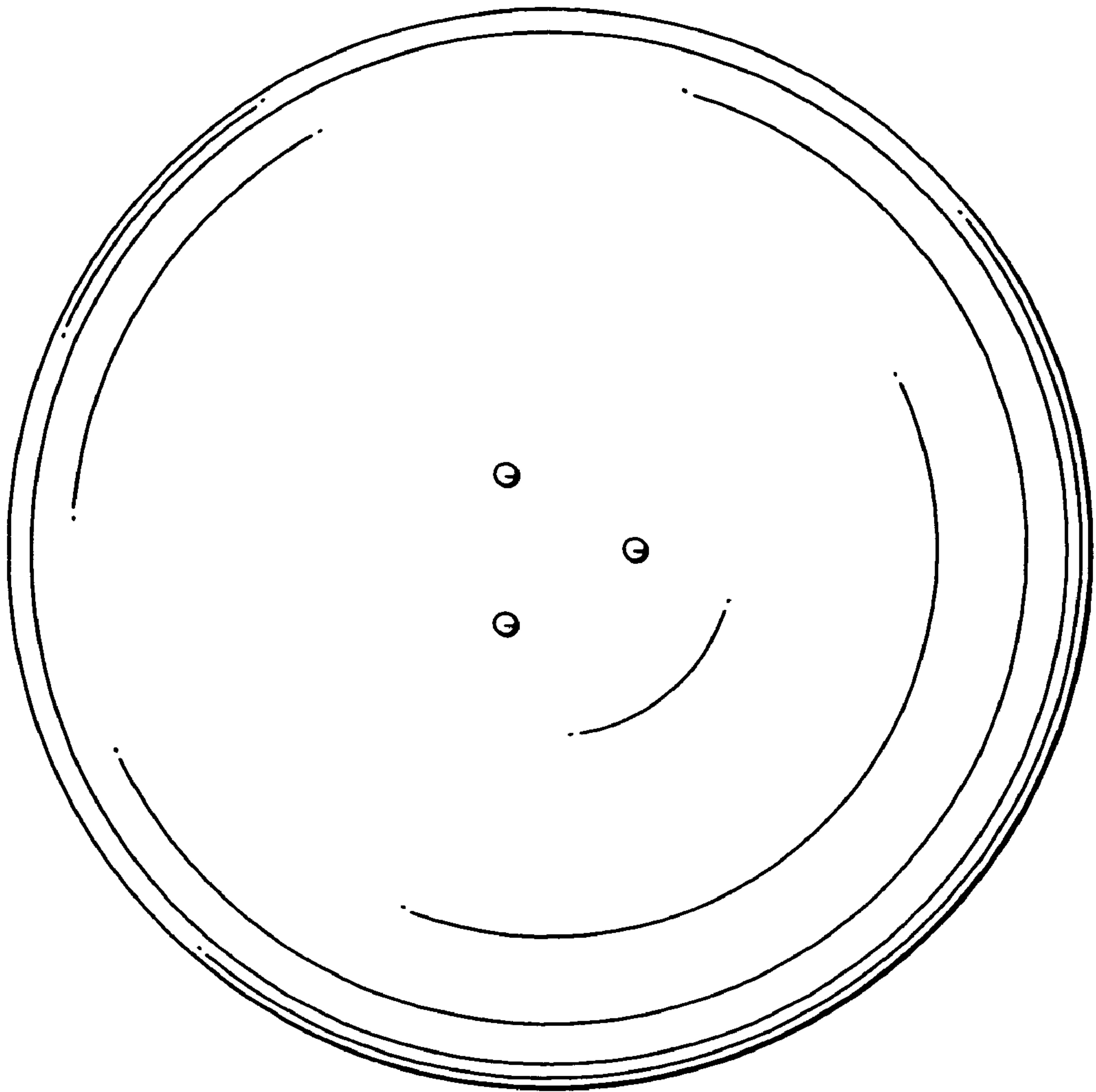


FIG.6

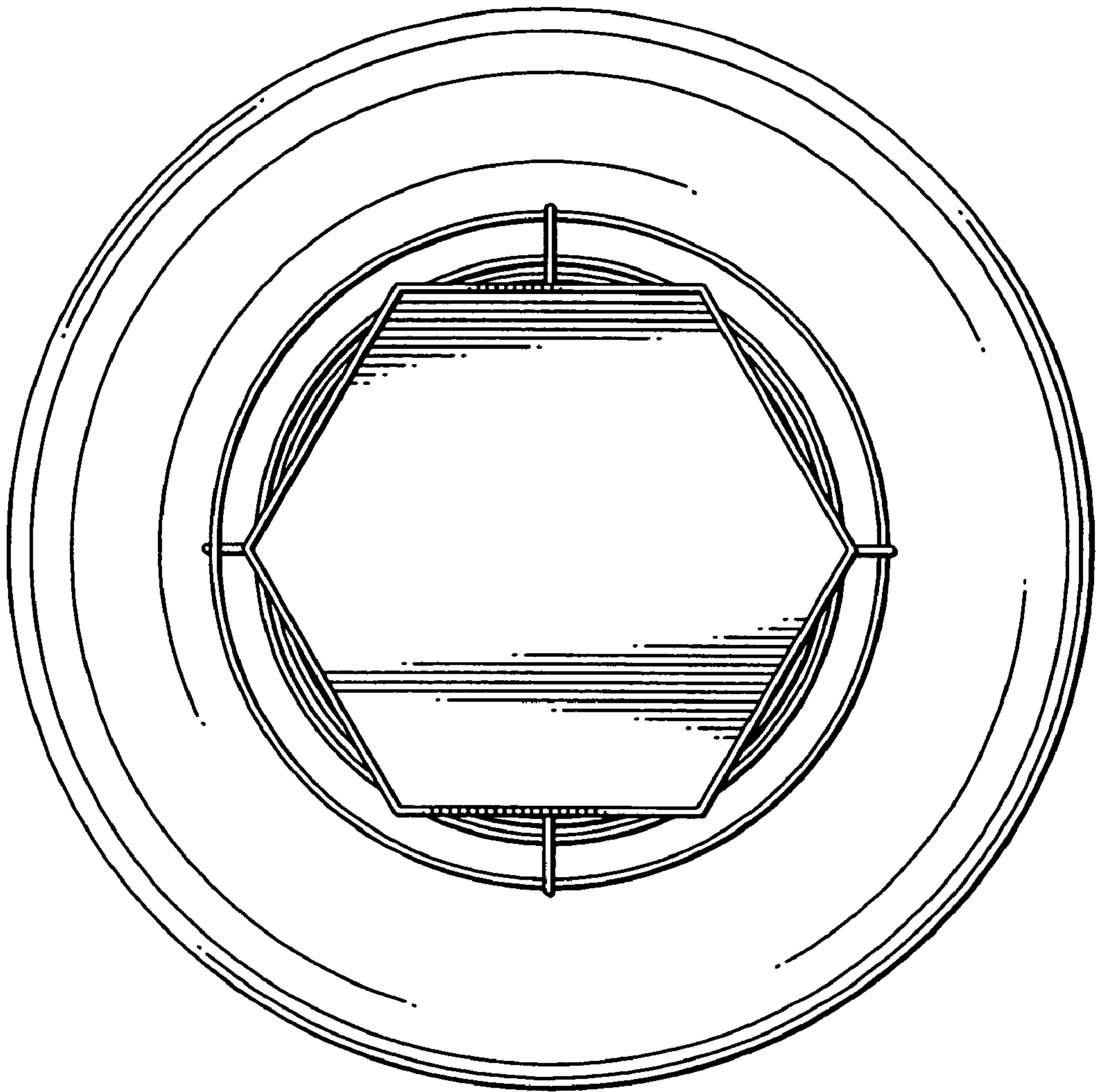


FIG.7