



US00D455203S

(12) **United States Design Patent**
Jones et al.

(10) **Patent No.:** **US D455,203 S**

(45) **Date of Patent:** **** Apr. 2, 2002**

(54) **TOILET TANK**

D443,052 S * 5/2001 McKeone et al. D23/313

(75) Inventors: **Sherry Lynn Jones**, Pataskala; **Paul P. Kolada**, Bexley; **Michael J. Painter**; **Sean W. Svendsen**, both of Columbus, all of OH (US)

* cited by examiner

Primary Examiner—Louis S. Zarfes
Assistant Examiner—Robert A. Delehanty
(74) *Attorney, Agent, or Firm*—Kramer Levin Naftalis & Frankel LLP

(73) Assignee: **American Standard Inc.**, Piscataway, NJ (US)

(**) Term: **14 Years**

(57) **CLAIM**

The ornamental design for a toilet tank, as shown and described.

(21) Appl. No.: **29/140,801**

DESCRIPTION

(22) Filed: **Apr. 25, 2001**

(51) **LOC (7) Cl.** **23-02**

(52) **U.S. Cl.** **D23/313**

(58) **Field of Search** D23/270–272,
D23/295, 296, 299–301, 303, 309–313;
4/667, 300, 329, 353–354, 419–420, 420.3,
443, 446, 449, 460, 476–477, 479–483,
902, DIG. 12, DIG. 15

FIG. 1 is a top, front and left side perspective view of a toilet tank showing our new design in full lines, and environmental association matter shown in broken lines and forms no part of the claimed design;

FIG. 2 is a top plan view thereof;

FIG. 3 is a front elevational view thereof;

FIG. 4 is a right side elevational view thereof;

FIG. 5 is a rear elevational view thereof;

FIG. 6 is a bottom plan view thereof; and,

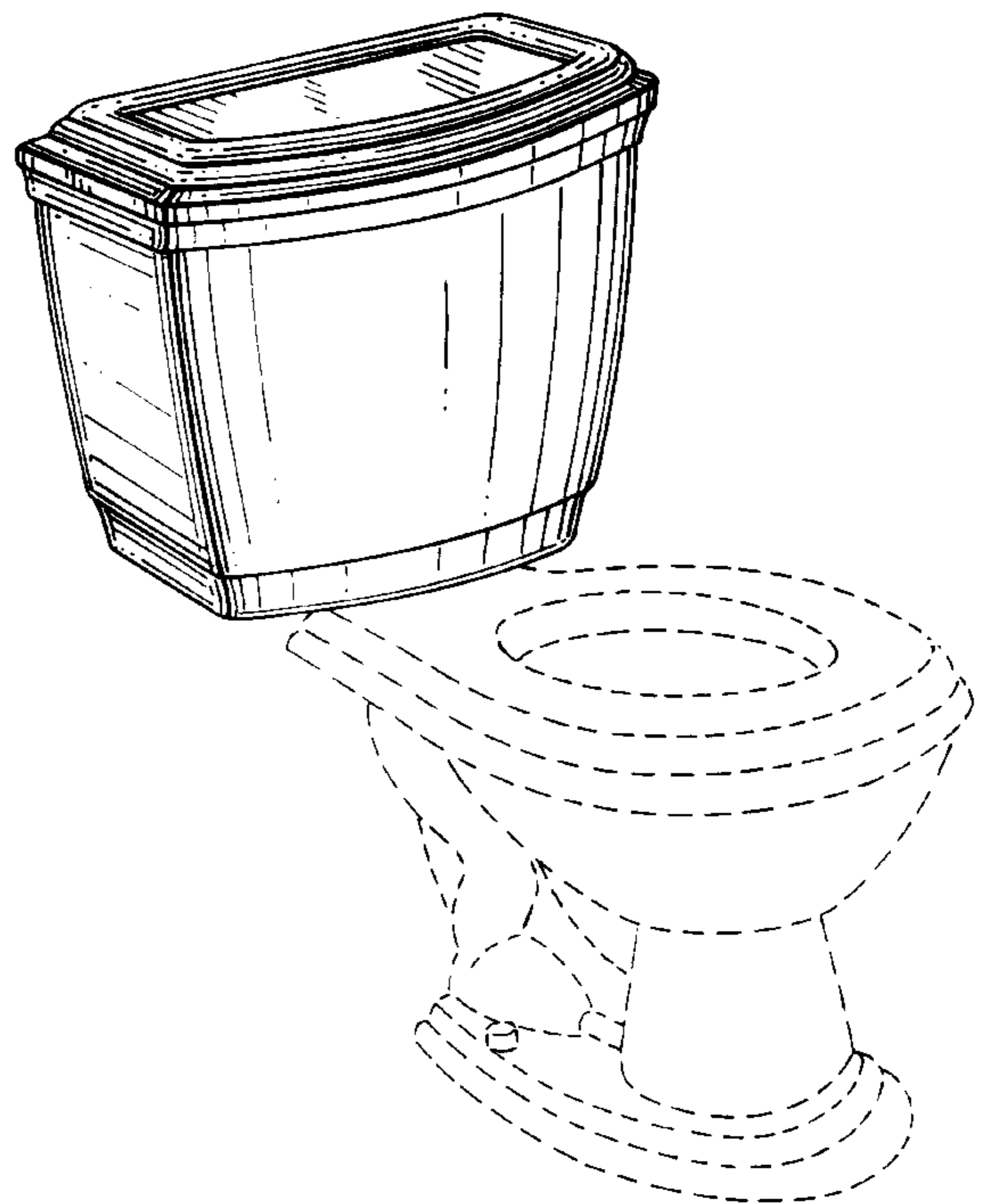
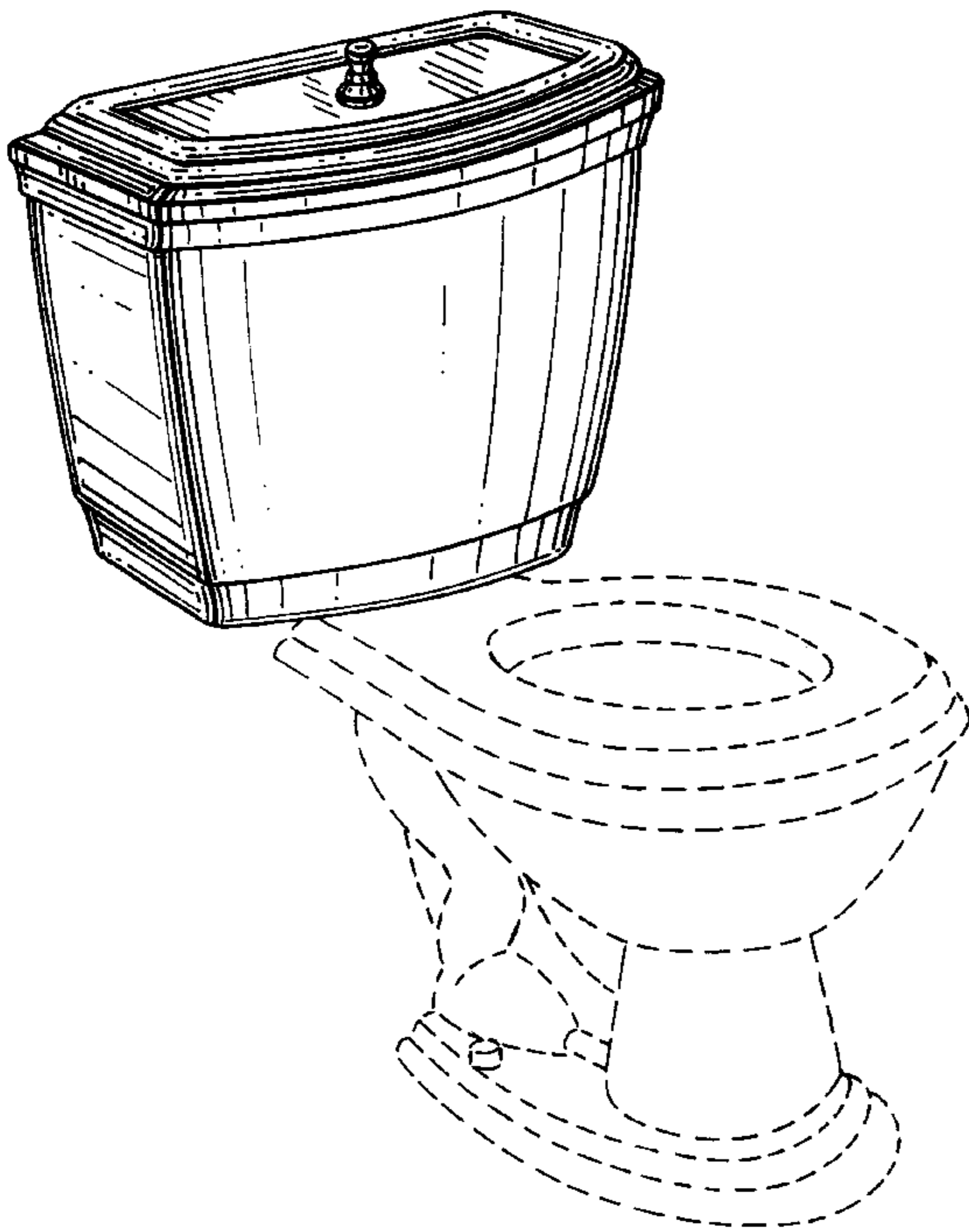
FIG. 7 is a top, front and left side perspective view of an alternative embodiment of our new design in full lines, and environmental association matter shown in broken lines and forms no part of the claimed design.

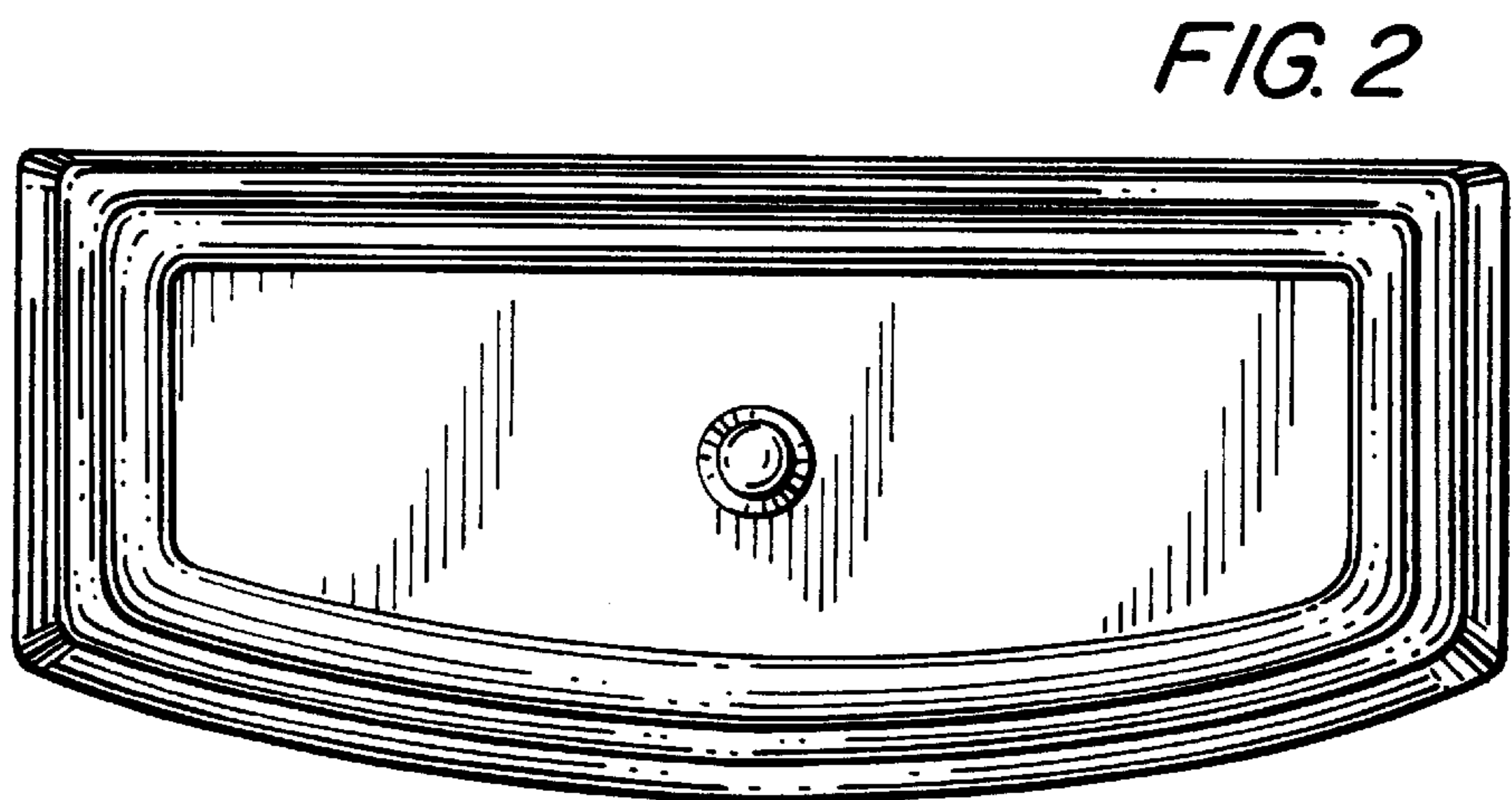
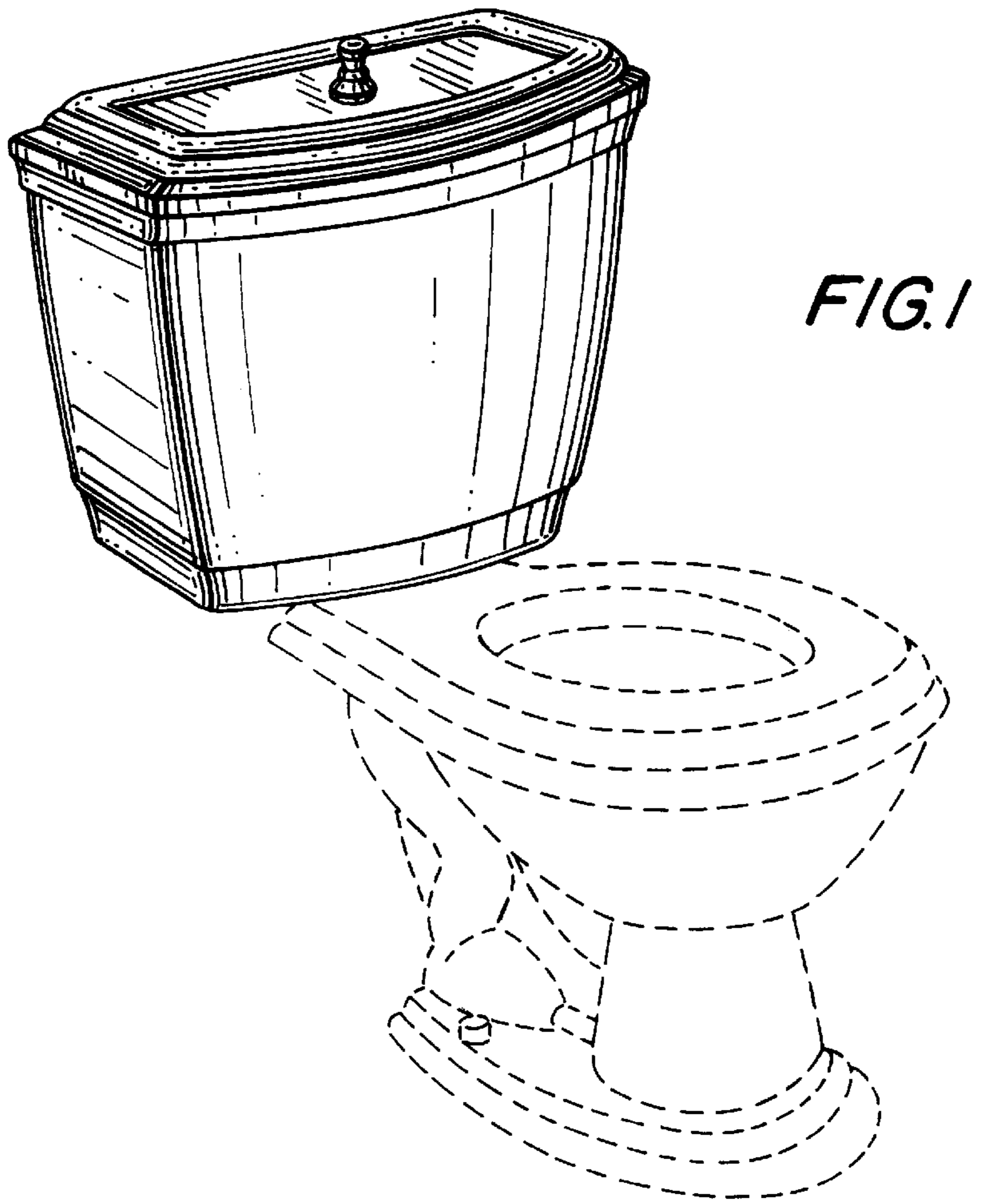
(56) **References Cited**

U.S. PATENT DOCUMENTS

D293,019 S * 12/1987 Holscher D23/301
D390,930 S * 2/1998 Slothower D23/295
D390,932 S * 2/1998 Slothower D23/313

1 Claim, 4 Drawing Sheets





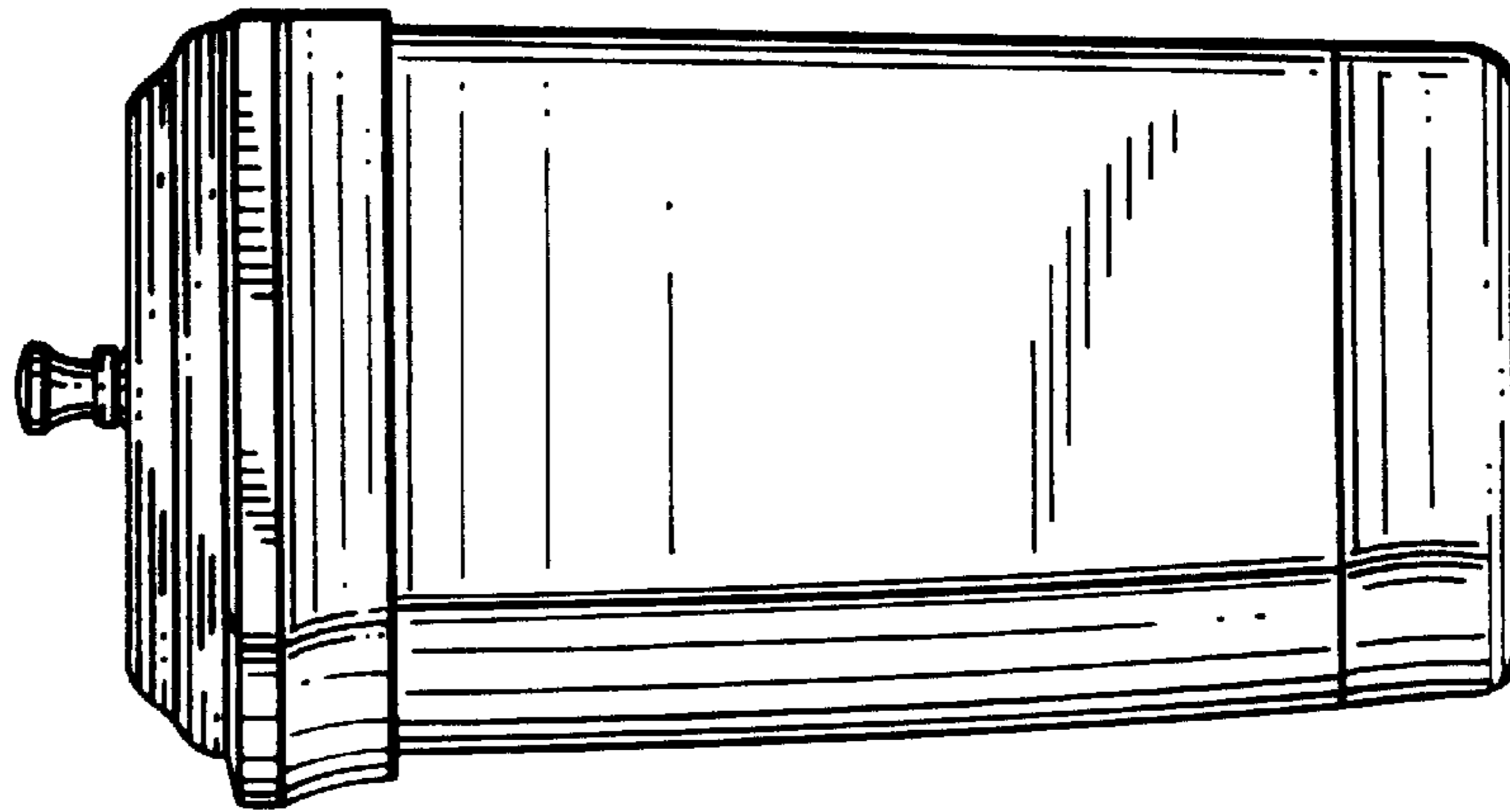


FIG. 4

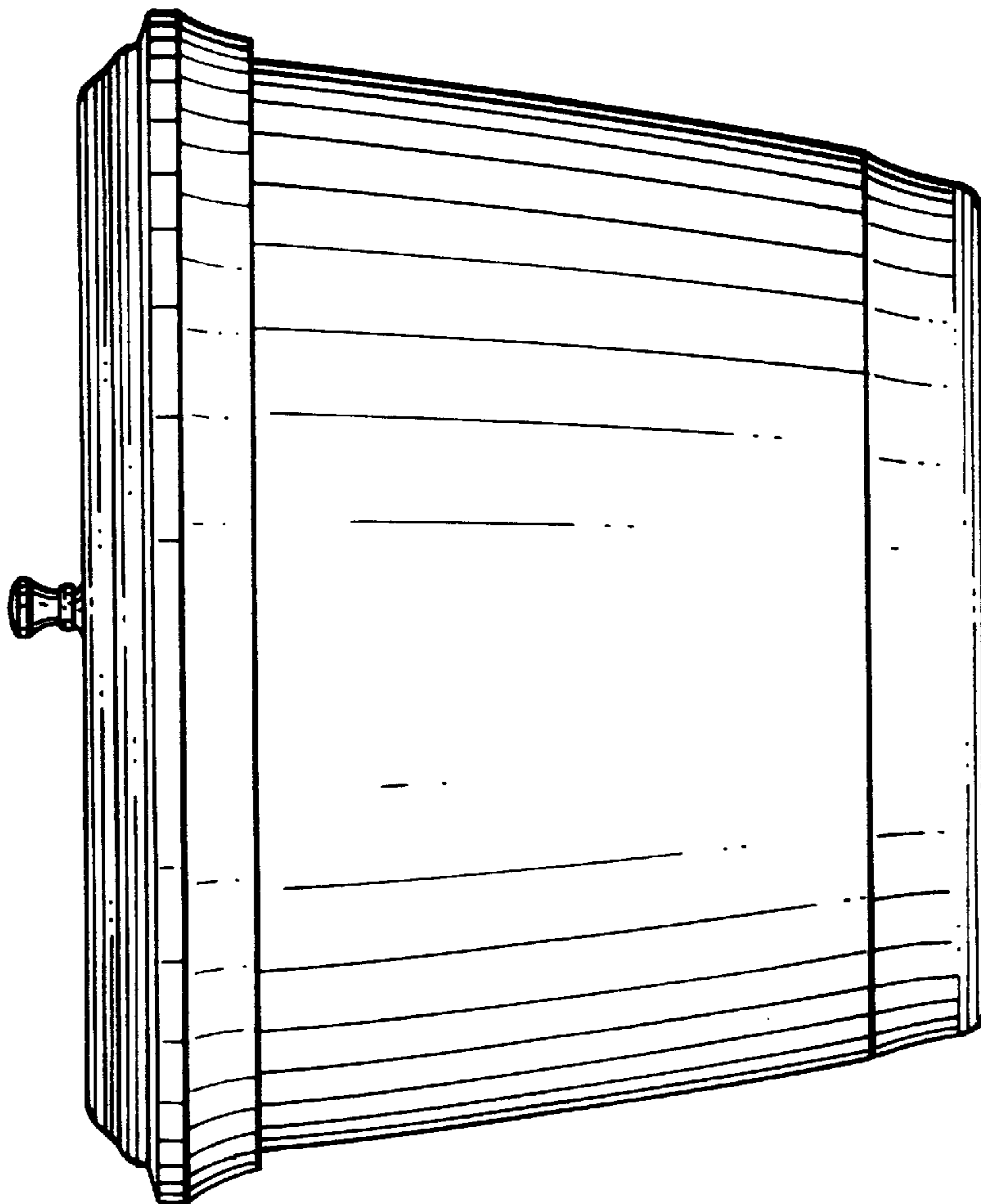


FIG. 3

FIG. 5

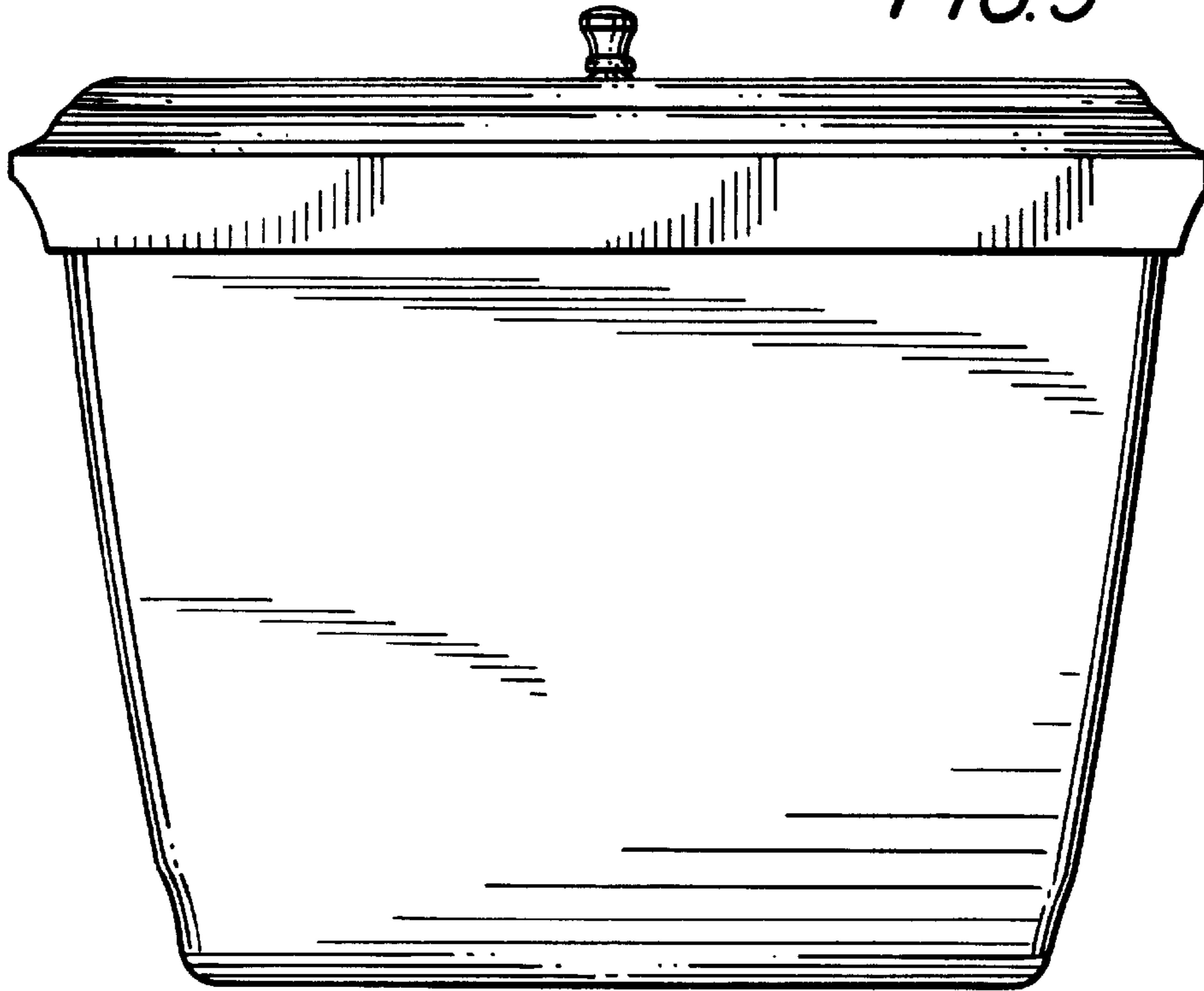
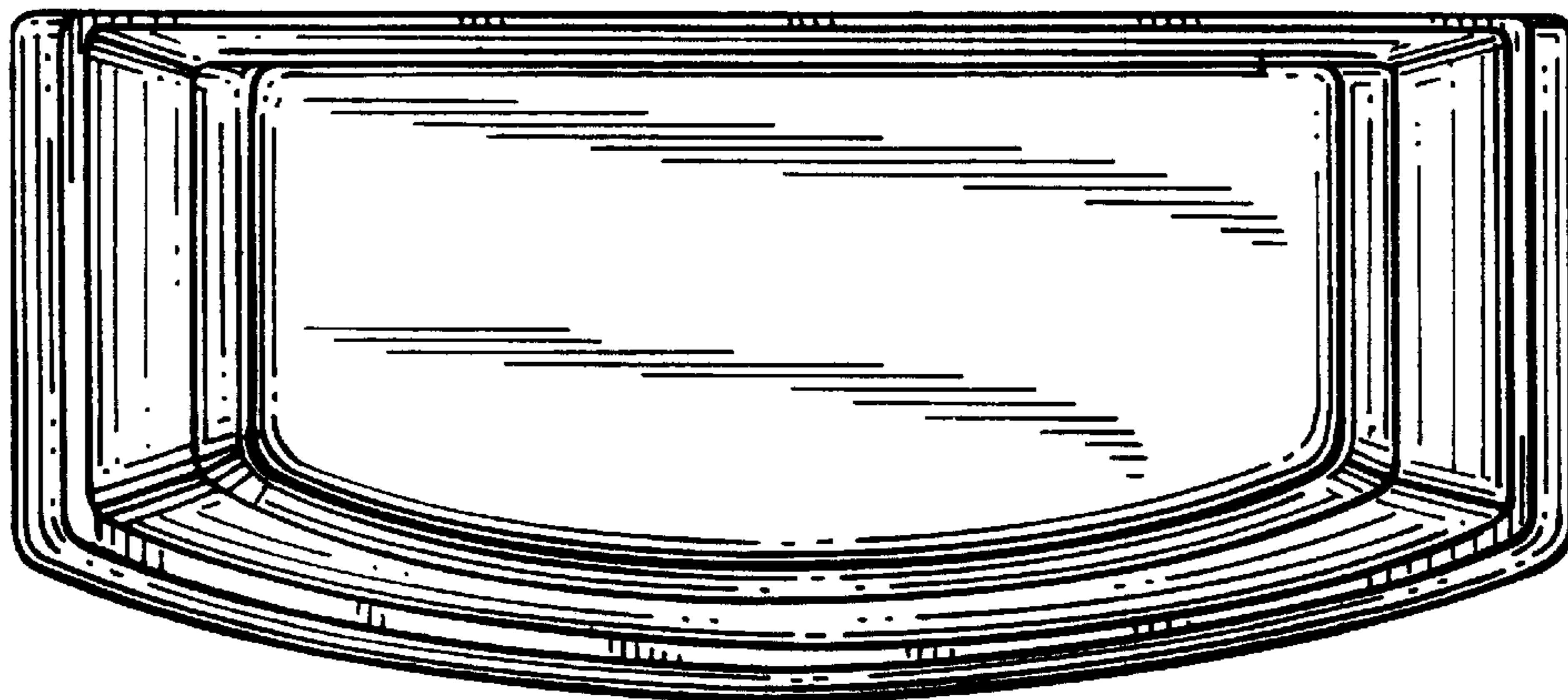


FIG. 6



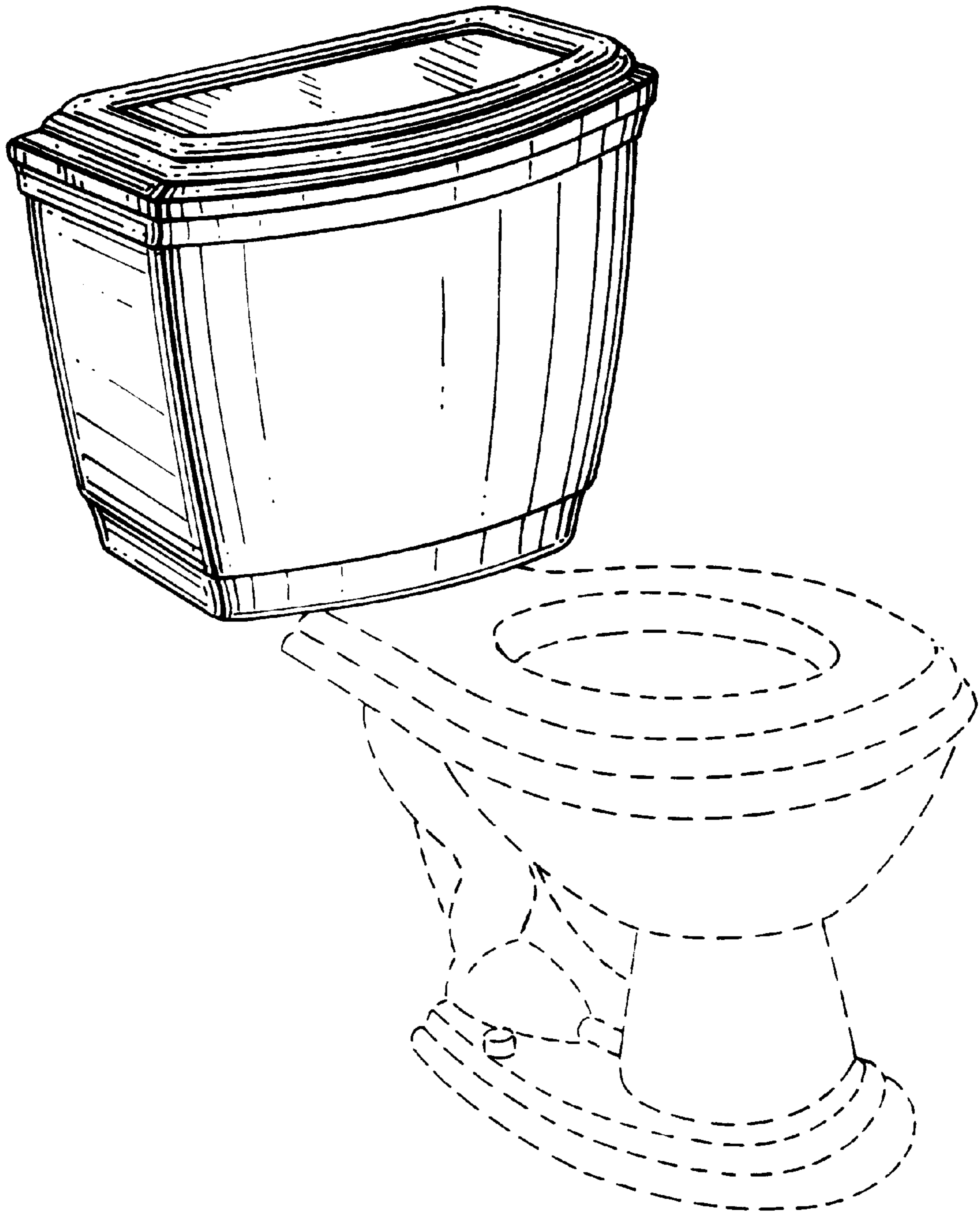


FIG. 7