



US00D455202S

(12) **United States Design Patent**  
**Soulier**

(10) **Patent No.:** **US D455,202 S**

(45) **Date of Patent:** **\*\* Apr. 2, 2002**

(54) **WATER CLOSET**

(75) Inventor: **Jean-Hugues Soulier**, Garches (FR)

(73) Assignee: **Jacob Delafon**, Paris (FR)

(\*\*) Term: **14 Years**

(21) Appl. No.: **29/142,719**

(22) Filed: **May 31, 2001**

(30) **Foreign Application Priority Data**

Dec. 5, 2000 (GB) ..... 2097927

(51) **LOC (7) Cl.** ..... **23-02**

(52) **U.S. Cl.** ..... **D23/301**

(58) **Field of Search** ..... D23/270-272,  
D23/295, 296, 299-301, 303, 309-313;  
4/667, 300, 329, 353-354, 419-420, 420.3,  
443, 446, 449, 460, 476-477, 479-483,  
902, DIG. 12, DIG. 15

(56) **References Cited**

**U.S. PATENT DOCUMENTS**

- D399,294 S \* 10/1998 Kawamura et al. .... D23/301
- D407,151 S \* 3/1999 Chiu ..... D23/301
- D439,638 S \* 3/2001 Hundley ..... D23/295
- D439,960 S \* 4/2001 Jones ..... D23/295

**OTHER PUBLICATIONS**

Undated Jacob Delafon catalog ad, p. 65, showing a "Venus" toilet.  
1997 Kohler catalog ad, p. 15.4, showing a "Trocadero" toilet.

\* cited by examiner

*Primary Examiner*—Louis S. Zarfaz

*Assistant Examiner*—Robert A. Delehanty

(74) *Attorney, Agent, or Firm*—Quarles & Brady LLP

(57) **CLAIM**

The ornamental design for a water closet, as shown and described.

**DESCRIPTION**

In a preferred embodiment, the nature of this product is as a plumbing fixture primarily useful for receiving solid and liquid waste from humans.

FIG. 1 is a left, top, front perspective view of a water closet embodying my new design;

FIG. 2 is a left side elevational view thereof, the right side elevational view being a mirror image of the left side shown;

FIG. 3 is a front elevational view thereof;

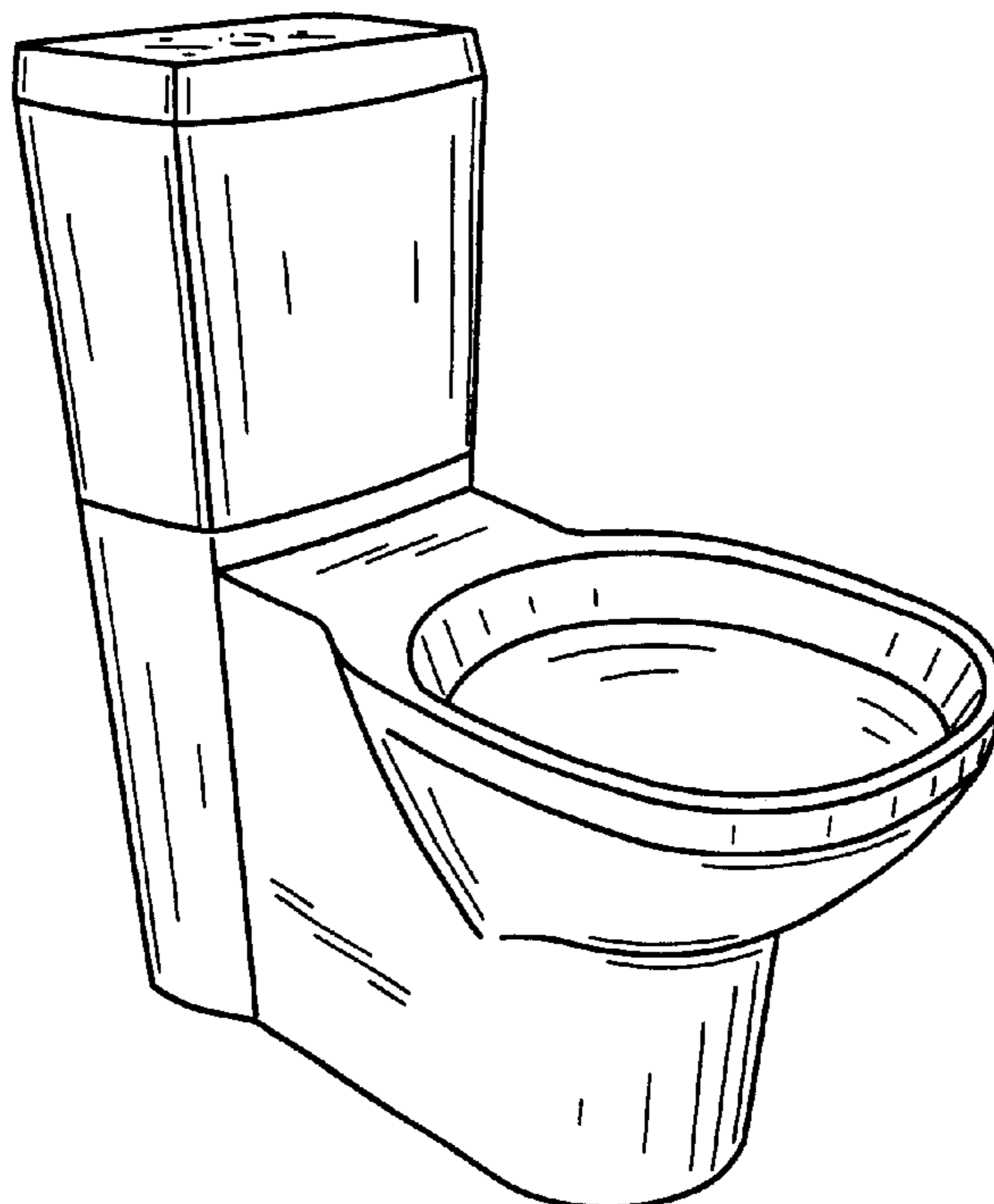
FIG. 4 is a top plan view thereof;

FIG. 5 is a bottom plan view thereof; and,

FIG. 6 is a rear elevational view thereof.

The broken line representation of a hole in FIGS. 1 and 4 is for the purpose of illustration only, and forms no part of the claimed design.

**1 Claim, 2 Drawing Sheets**



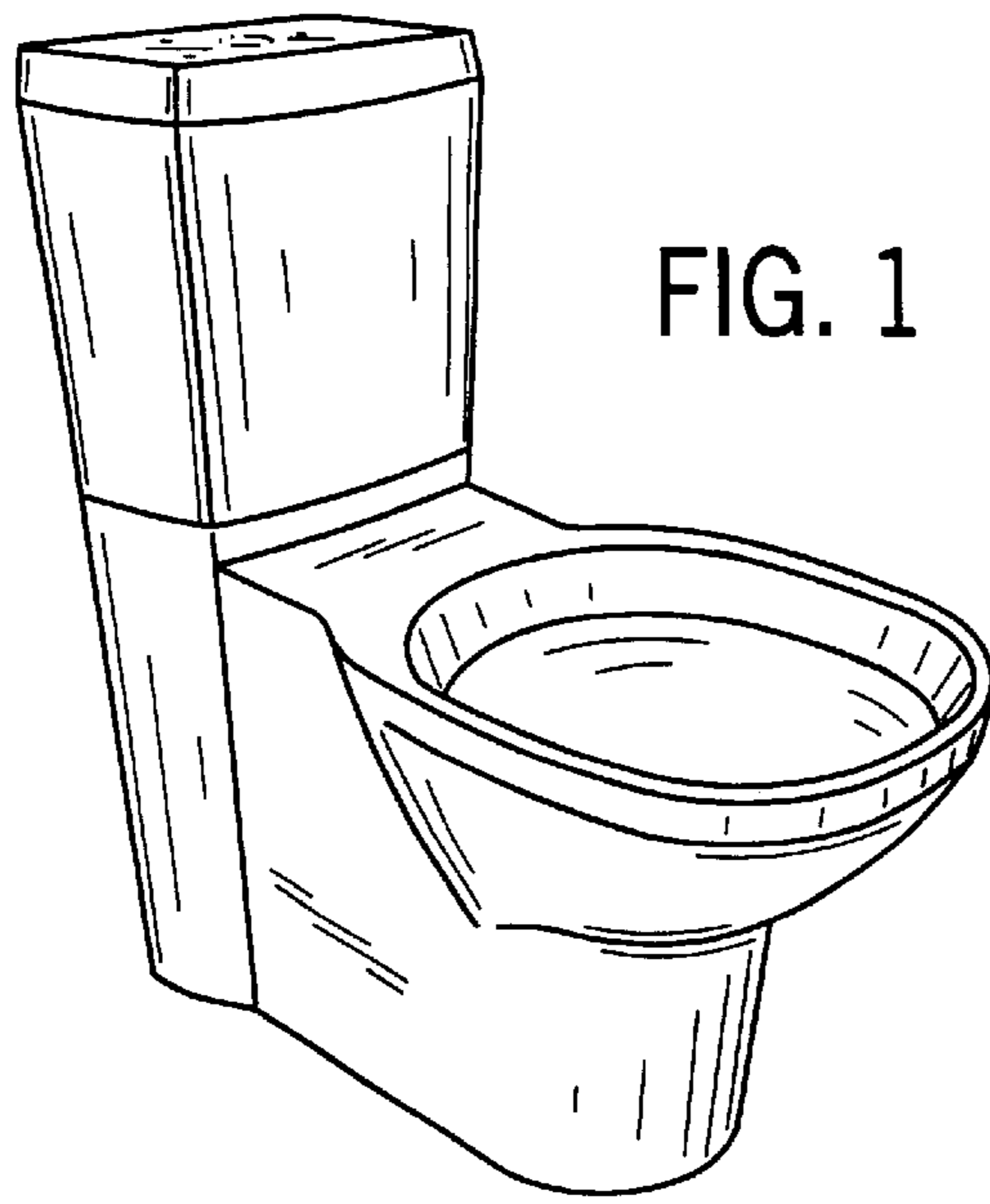


FIG. 1

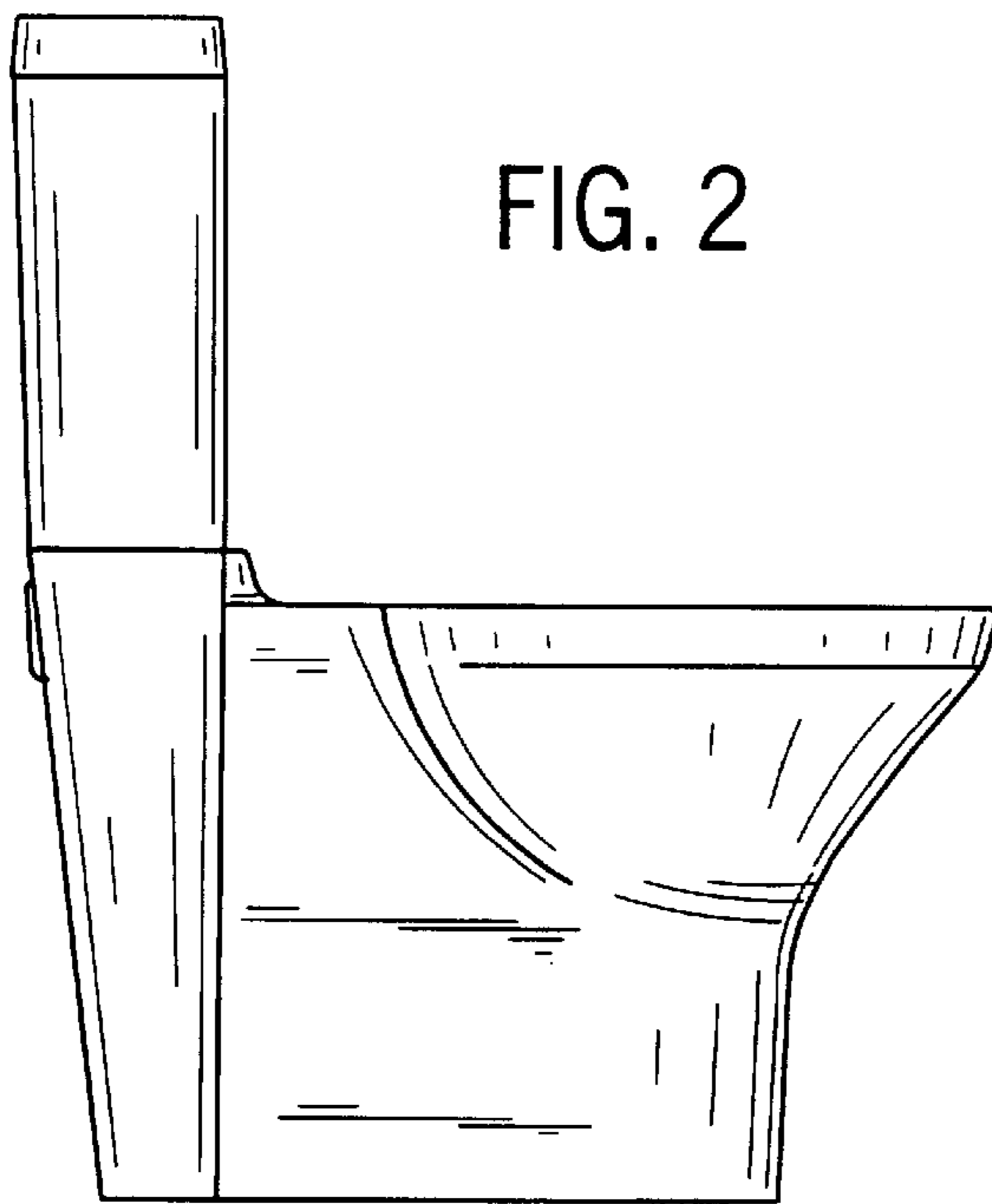


FIG. 2

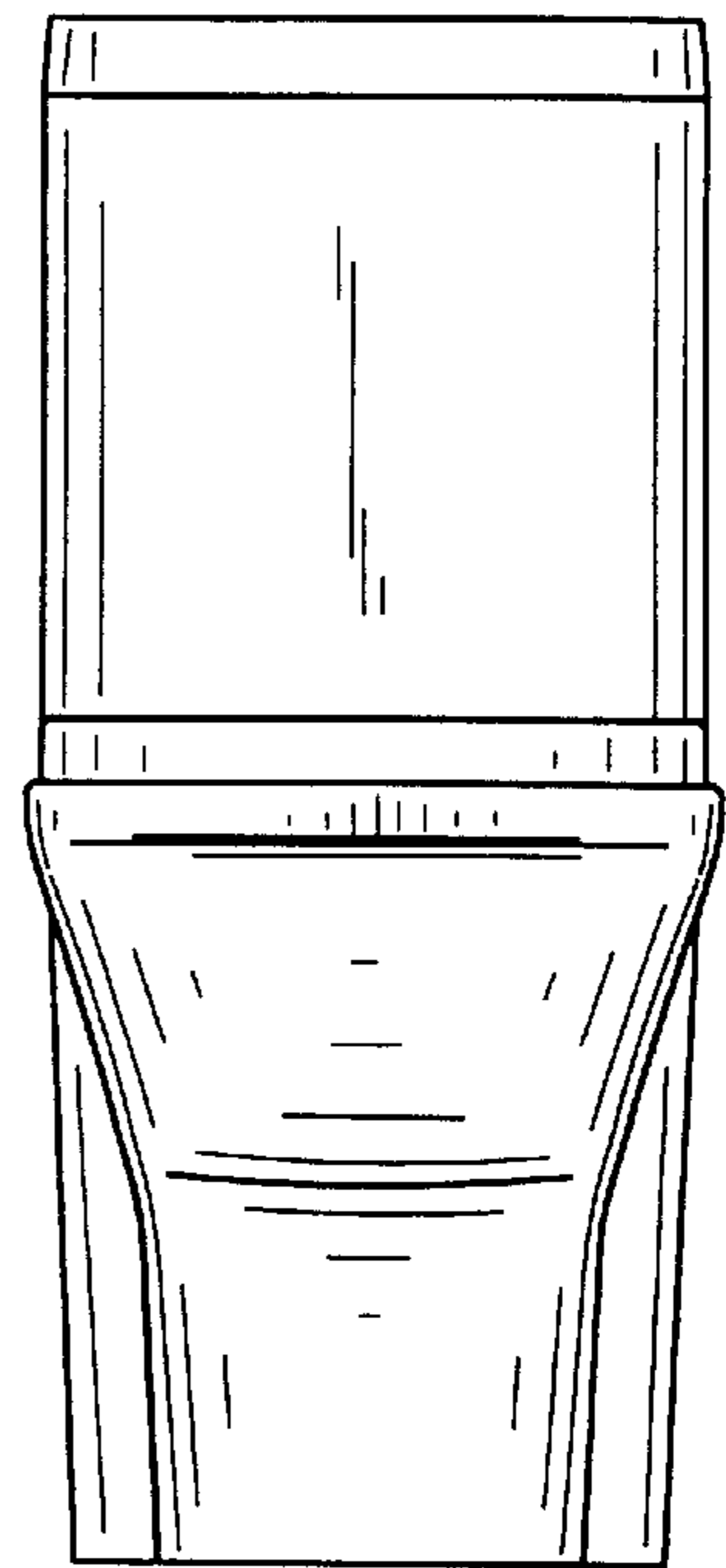


FIG. 3

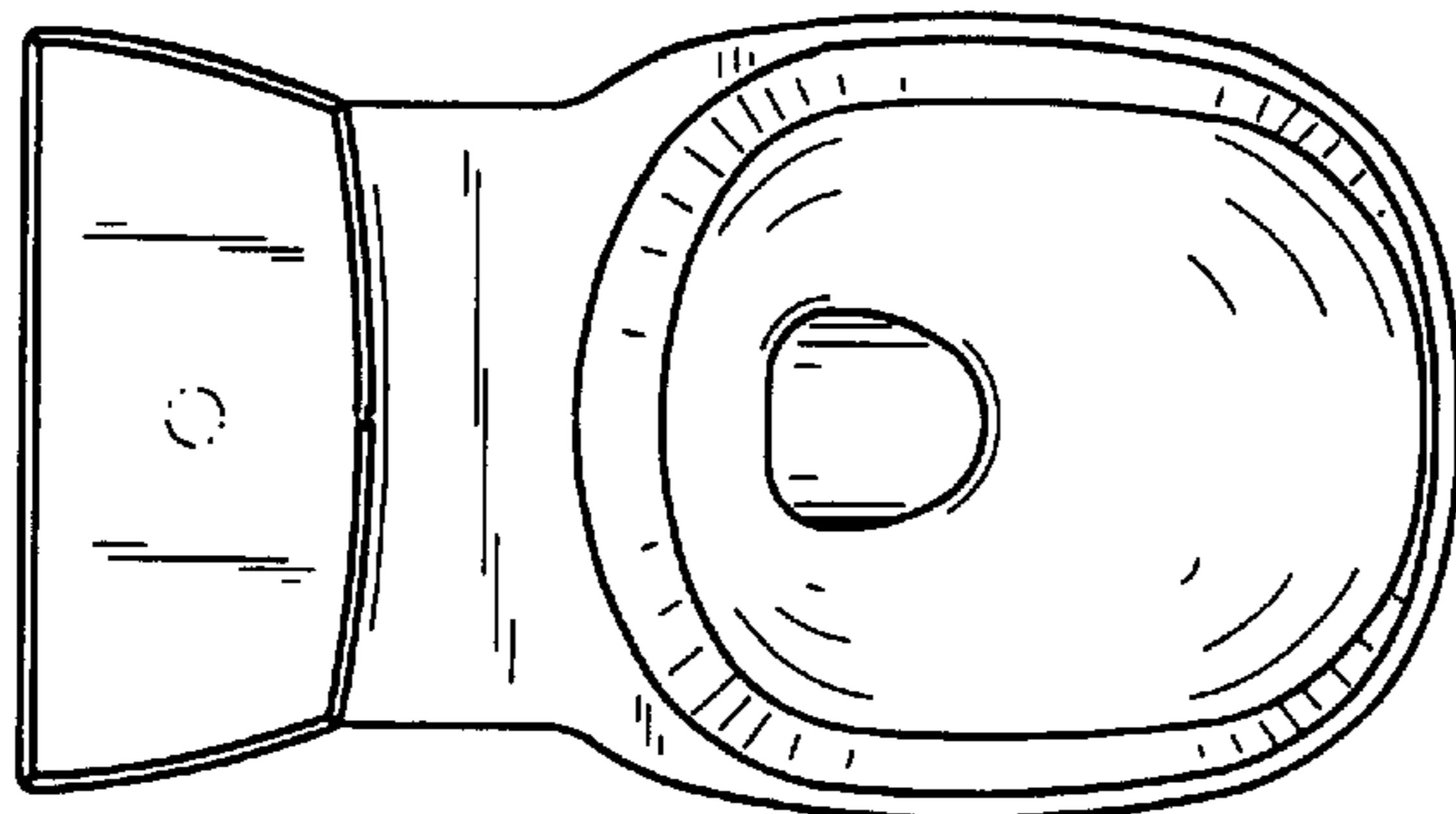


FIG. 4

FIG. 5

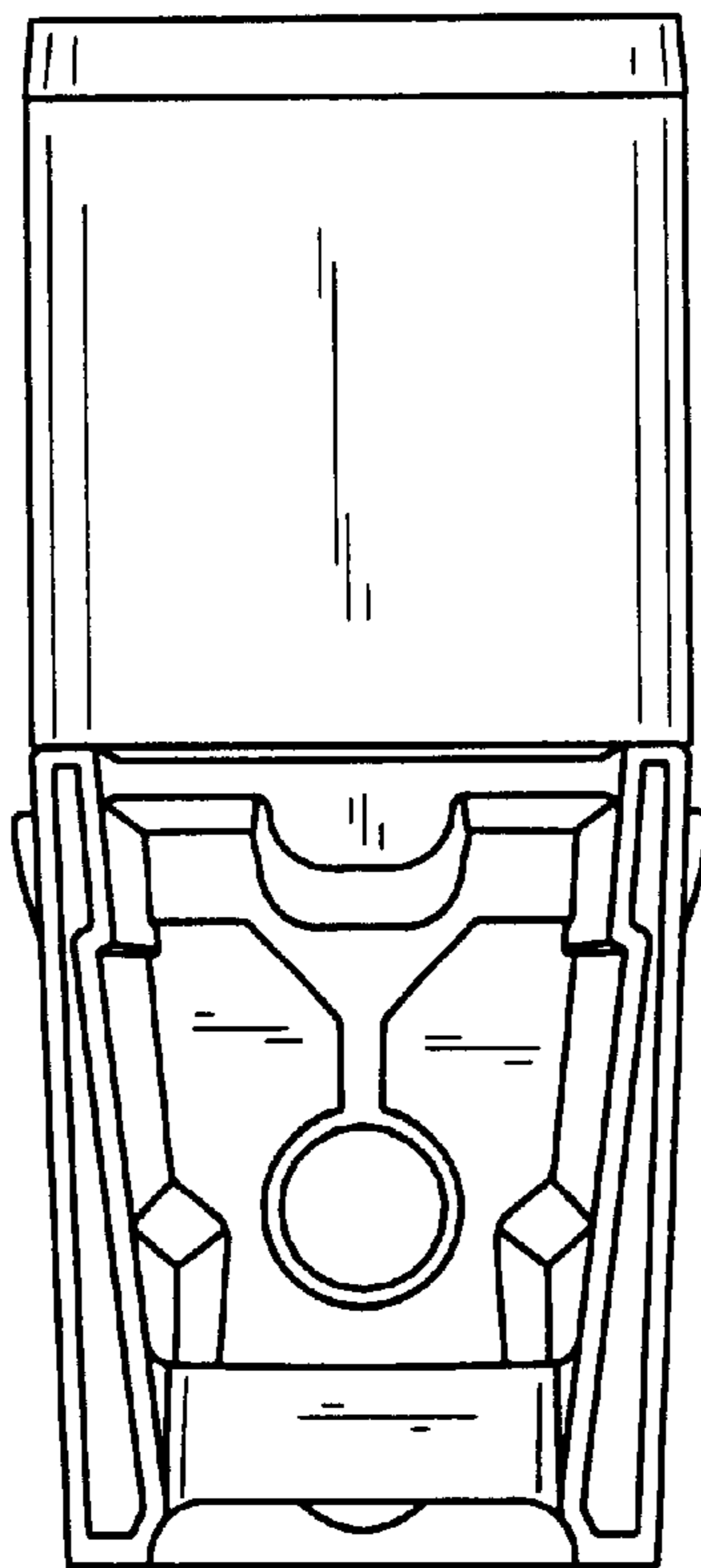
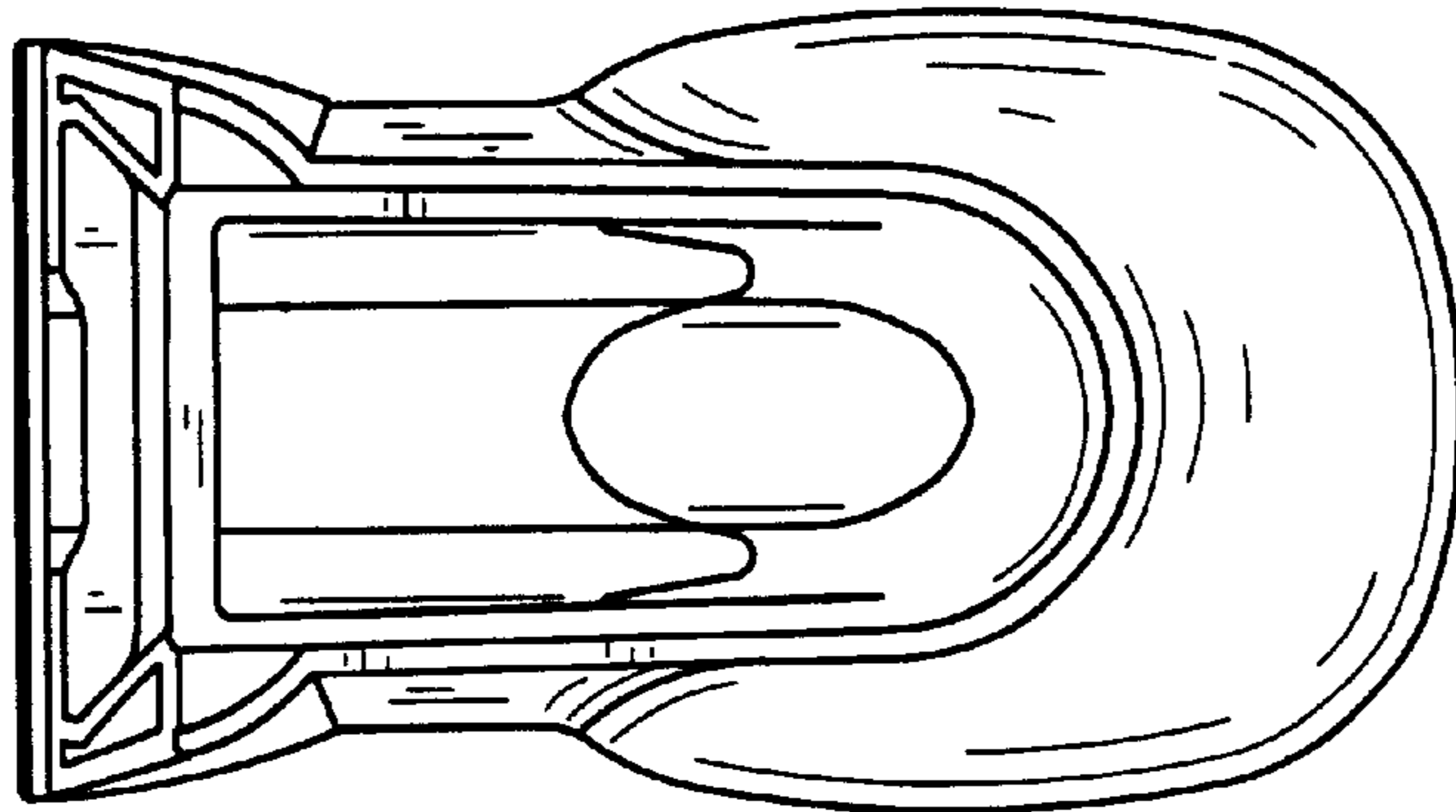


FIG. 6