



US00D455201S

(12) **United States Design Patent**
Jones et al.

(10) **Patent No.:** **US D455,201 S**

(45) **Date of Patent:** **** Apr. 2, 2002**

(54) **TOILET**

(75) **Inventors:** **Sherry Lynn Jones**, Pataskala; **Paul P. Kolada**, Bexley; **Michael J. Painter**; **Sean W. Svendsen**, both of Columbus, all of OH (US)

(73) **Assignee:** **American Standard Inc.**, Piscataway, NJ (US)

(**) **Term:** **14 Years**

(21) **Appl. No.:** **29/140,800**

(22) **Filed:** **Apr. 25, 2001**

(51) **LOC (7) Cl.** **23-02**

(52) **U.S. Cl.** **D23/301**

(58) **Field of Search** D23/270-272,
D23/295, 296, 299-301, 303, 309-313;
4/667, 300, 329, 353-354, 419-420, 420.3,
443, 446, 449, 460, 476-477, 479-483,
902, DIG. 12, DIG. 15

(56) **References Cited**

U.S. PATENT DOCUMENTS

D85,364 S * 10/1931 Braiw D23/313
D293,019 S * 12/1987 Holscher D23/301
D390,930 S * 2/1998 Slothower D23/295

D390,932 S * 2/1998 Slothower D23/313
D390,933 S * 2/1998 Slothower D23/313
D424,182 S * 5/2000 Svendsen D23/301
D430,653 S * 9/2000 Lohmann D23/301
D443,052 S * 5/2001 McKeone et al. D23/313

* cited by examiner

Primary Examiner—Louis S. Zarfaz

Assistant Examiner—Robert A. Delehanty

(74) *Attorney, Agent, or Firm*—Kramer Levin Naftalis & Frankel LLP

(57) **CLAIM**

The ornamental design for a toilet, as shown and described.

DESCRIPTION

FIG. 1 is a top and right side perspective view of a toilet showing our new design;

FIG. 2 is a top plan view thereof;

FIG. 3 is a front elevational view thereof;

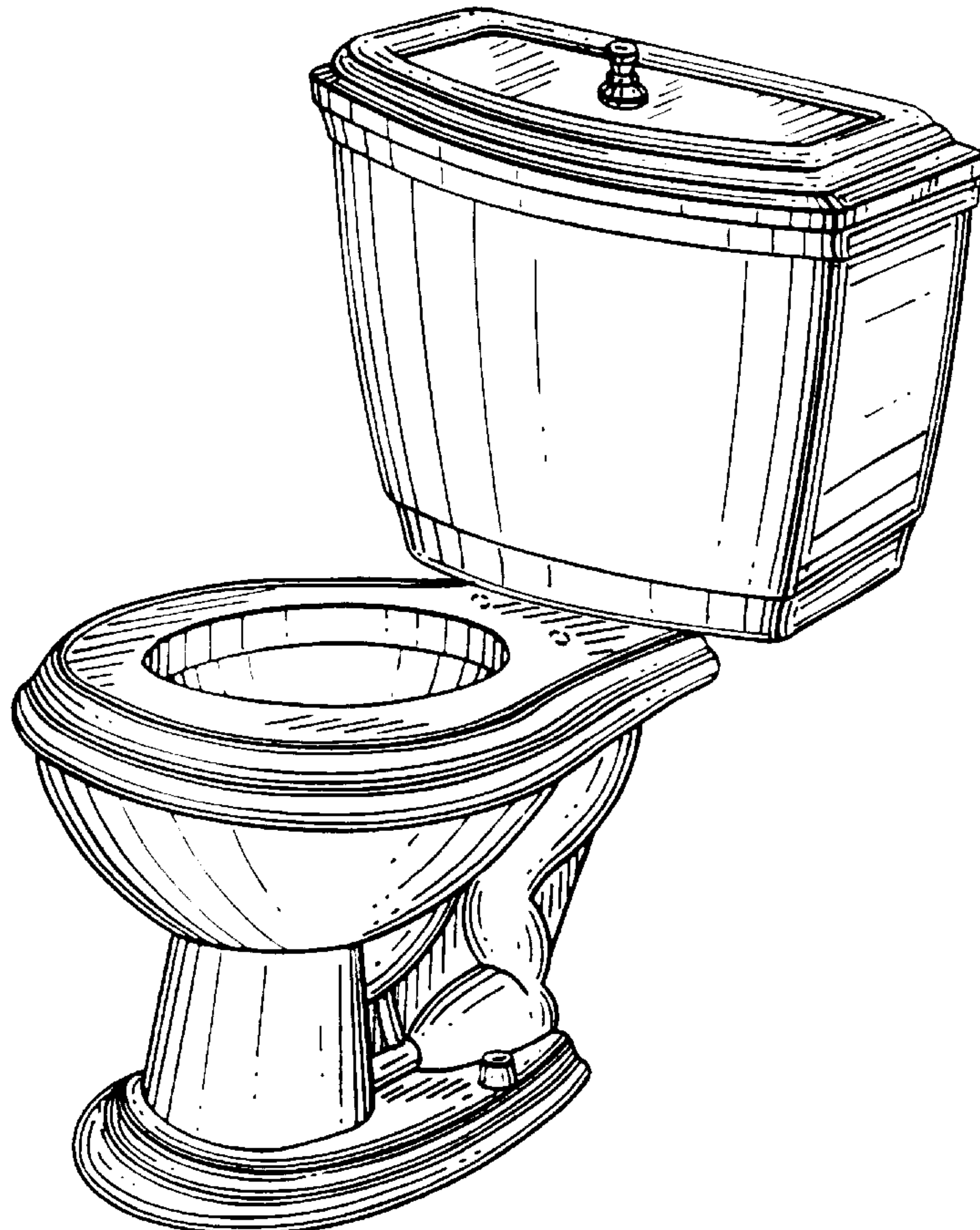
FIG. 4 is a left side elevational view thereof;

FIG. 5 is a rear elevational view thereof; and,

FIG. 6 is a bottom plan view thereof.

The broken lines showing plumbing fixture holes in FIGS. 1-2 and 6 are for illustrative purposes and form no part of the claim.

1 Claim, 6 Drawing Sheets



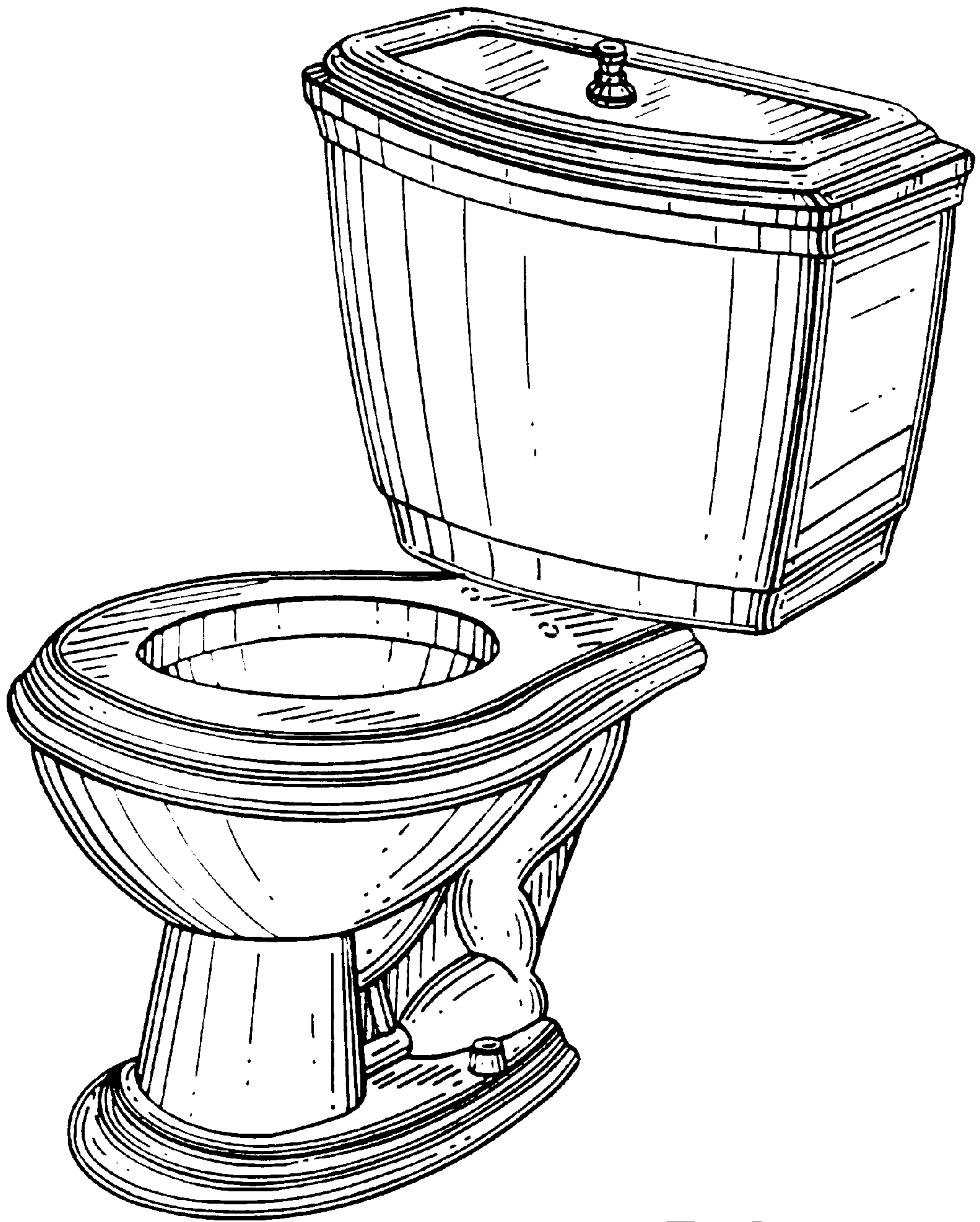


FIG. 1

FIG. 2

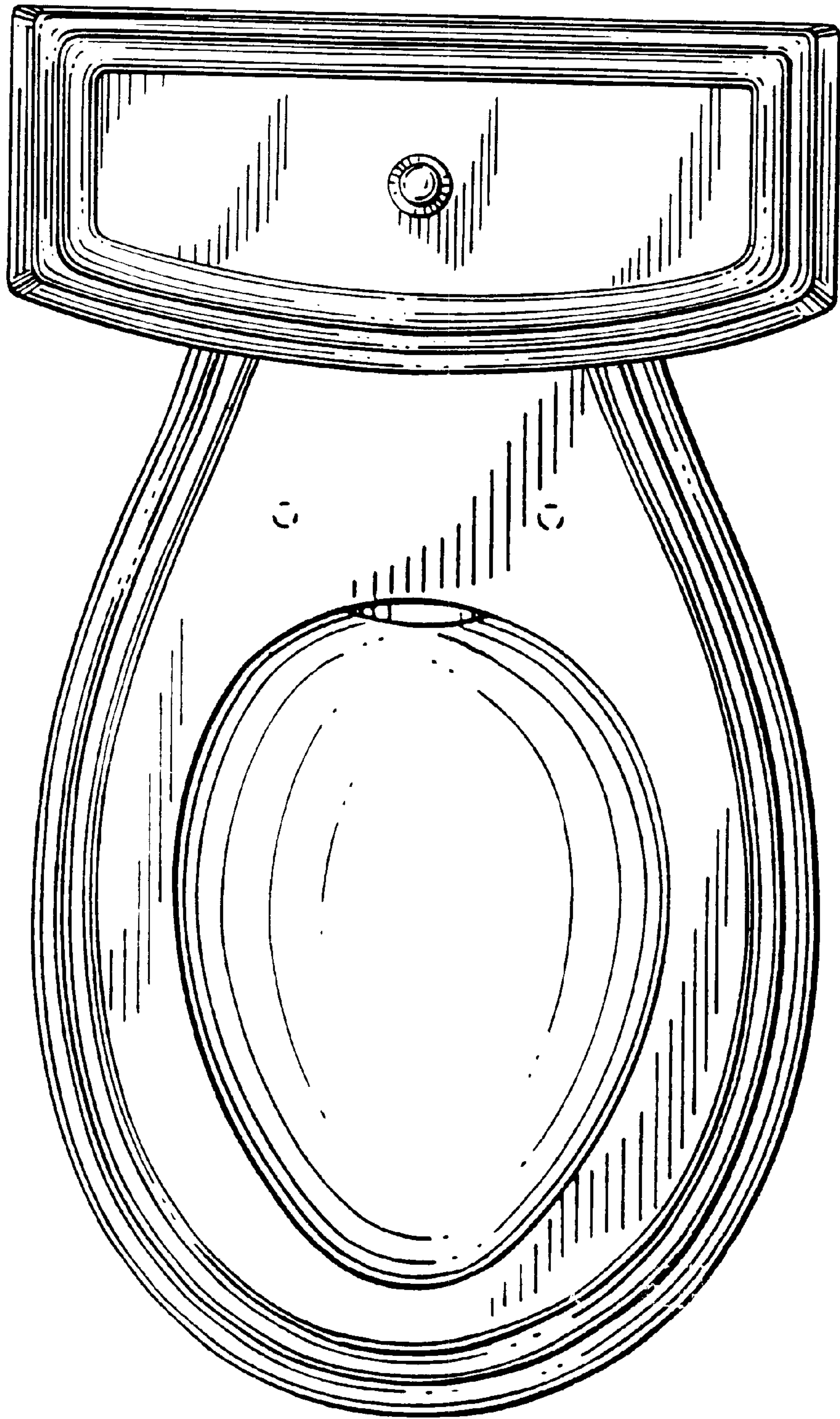


FIG. 3

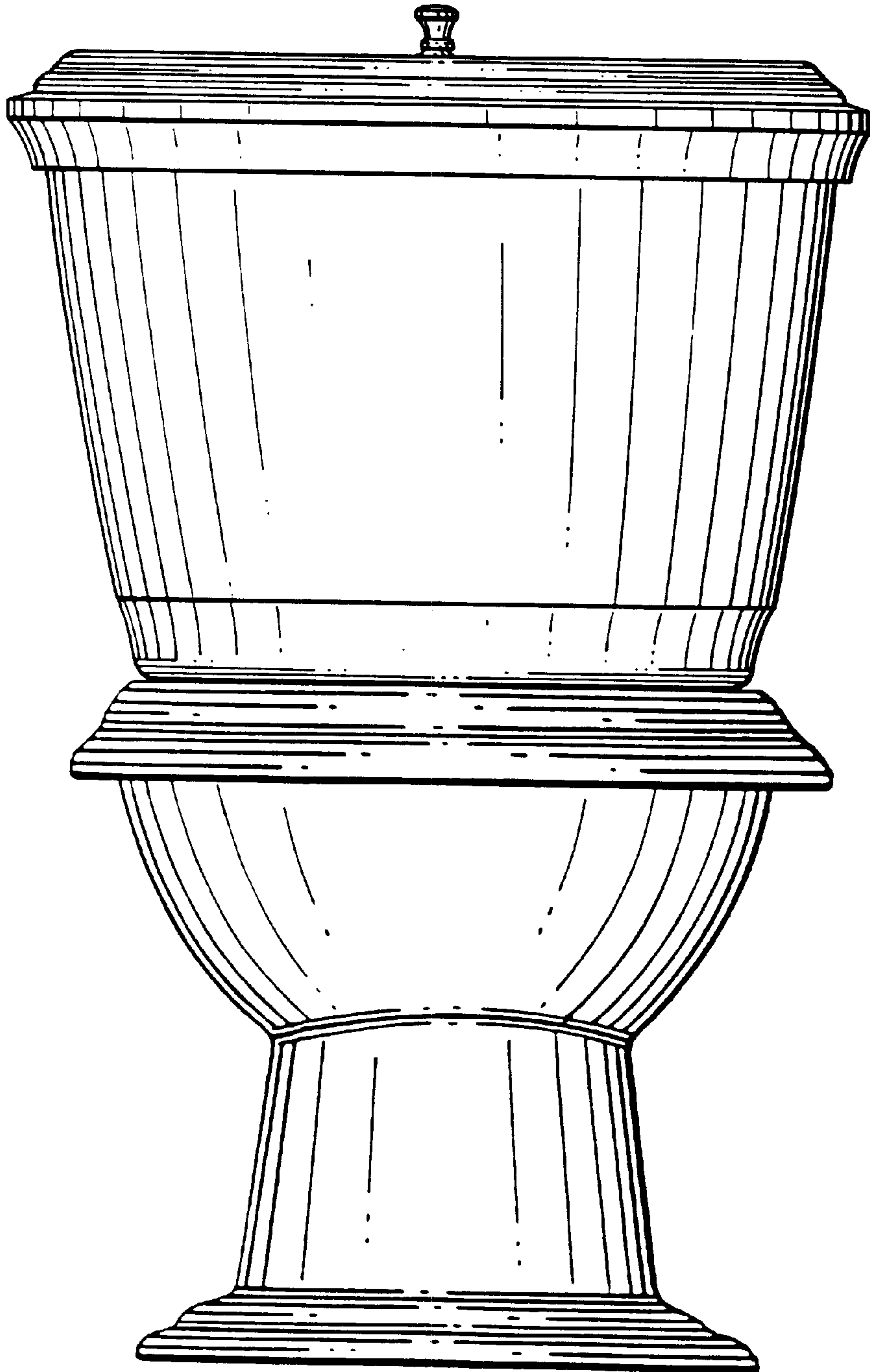


FIG. 4

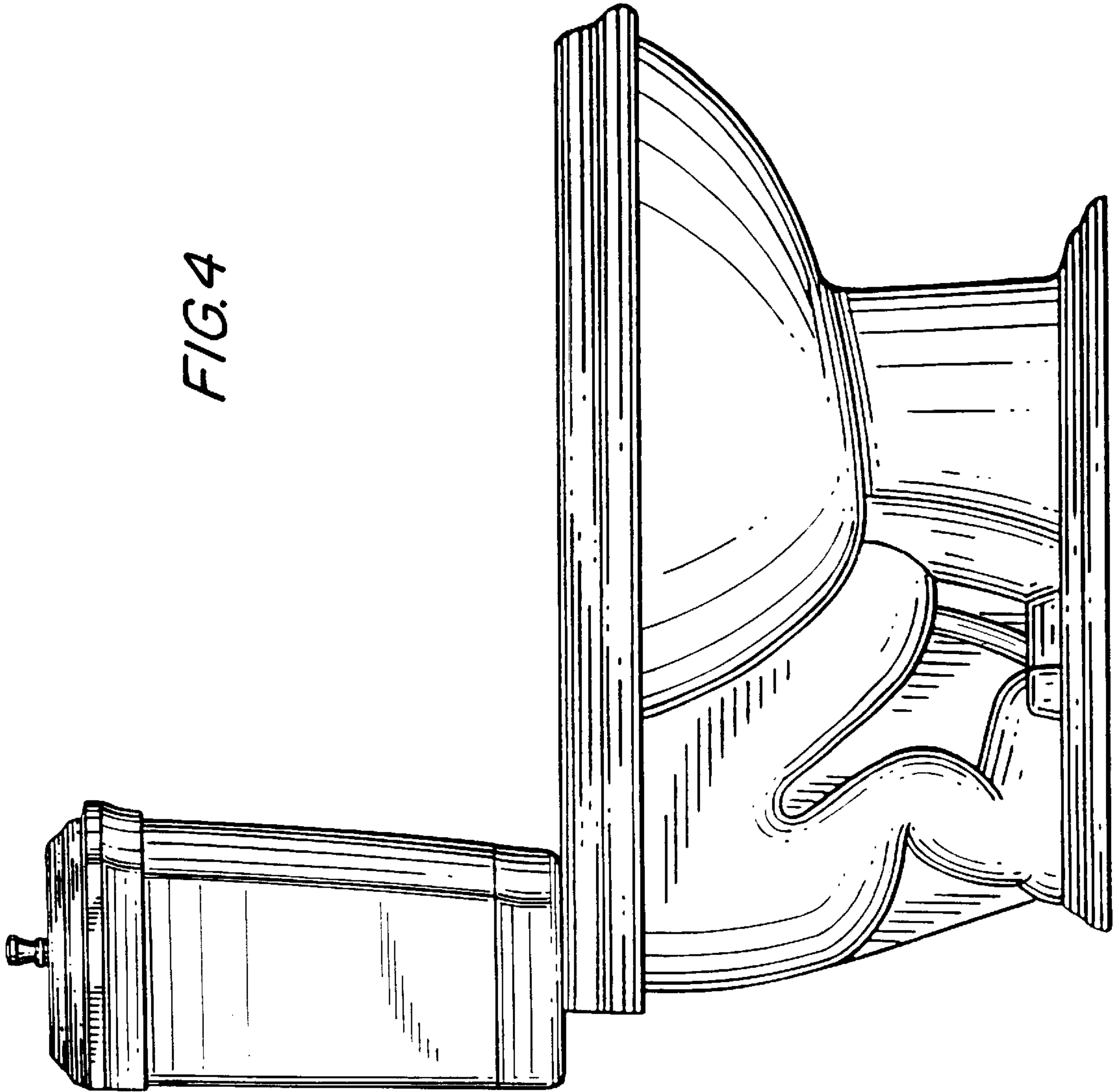


FIG. 5

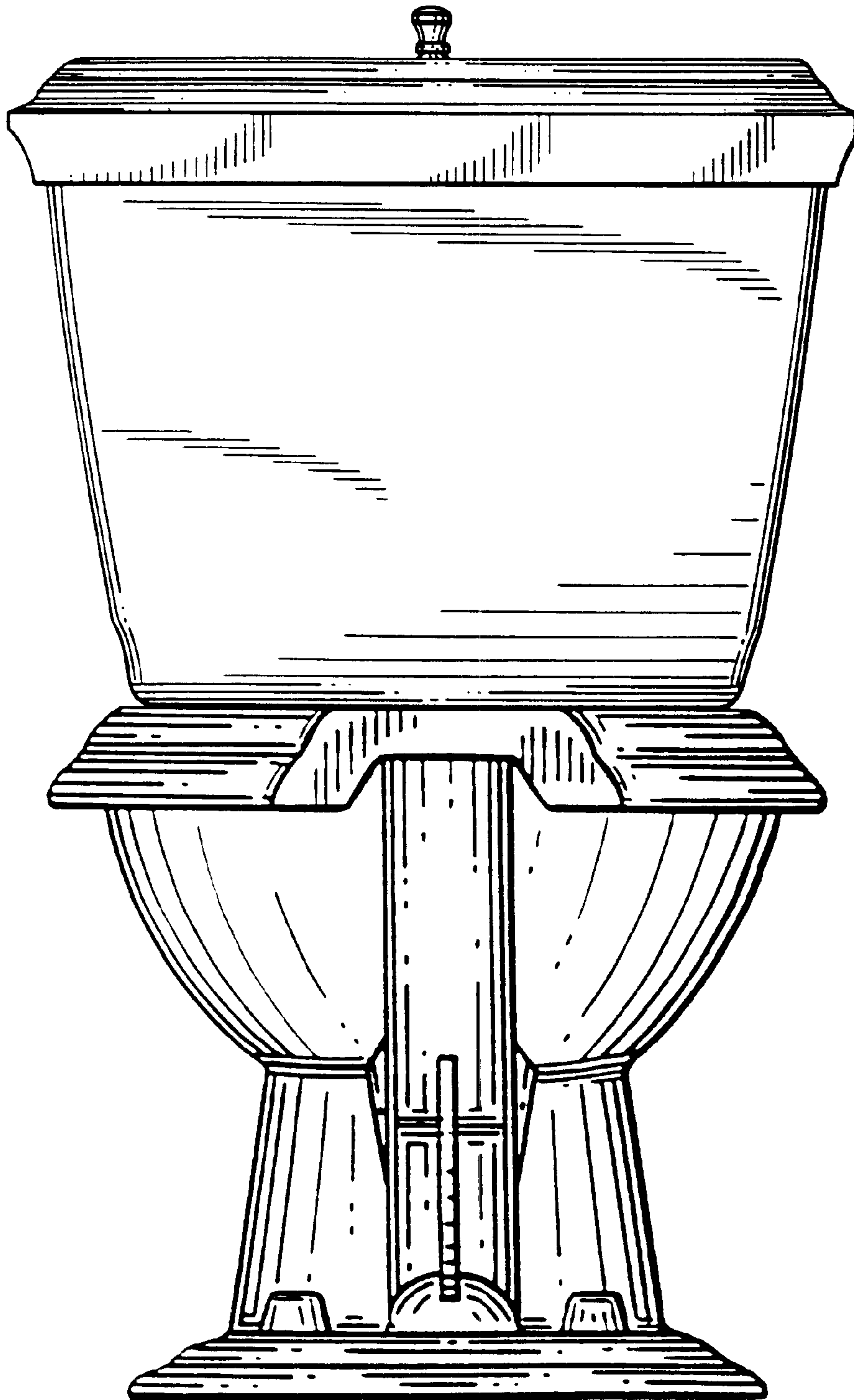


FIG. 6

