



US00D455200S

(12) **United States Design Patent**  
**Marshall**

(10) **Patent No.:** **US D455,200 S**

(45) **Date of Patent:** **\*\* Apr. 2, 2002**

(54) **SINK**

D434,124 S \* 11/2000 McKeone ..... D23/284

(75) Inventor: **Keith D. Marshall**, West Covina, CA (US)

**OTHER PUBLICATIONS**

(73) Assignee: **Acorn Engineering Co., Inc.**, City of Industry, CA (US)

Acorn Engineering Company Brochure; Meridian—Solid surface Washbasins; p. 5, published prior to Jul. 31, 1999.  
Alape Brochure; Waschplatzgestaltung nach MaB—Programm N Naturstein; 2 pgs.; published prior to Jul. 31, 1999.  
Alape Brochure; Waschplatzgestaltung nach MaB—Programm V Volkem; 1 pg.; published prior to Jul. 31, 1999.

(\*\*) Term: **14 Years**

\* cited by examiner

(21) Appl. No.: **29/127,144**

(22) Filed: **Jul. 31, 2000**

*Primary Examiner*—Louis S. Zarfes

*Assistant Examiner*—Robert A. Delehanty

(51) **LOC (7) Cl.** ..... **23-02**

(52) **U.S. Cl.** ..... **D23/284**

(58) **Field of Search** ..... D23/270–271,  
D23/273, 284–292, 293.1, 303, 308; 4/619,  
630–636, 638, 643–646, 650–652, 654,  
656, 658–661

(74) *Attorney, Agent, or Firm*—Michael Best & Friedrich LLP

(57) **CLAIM**

I claim the ornamental design for a sink, as shown and described.

(56) **References Cited**

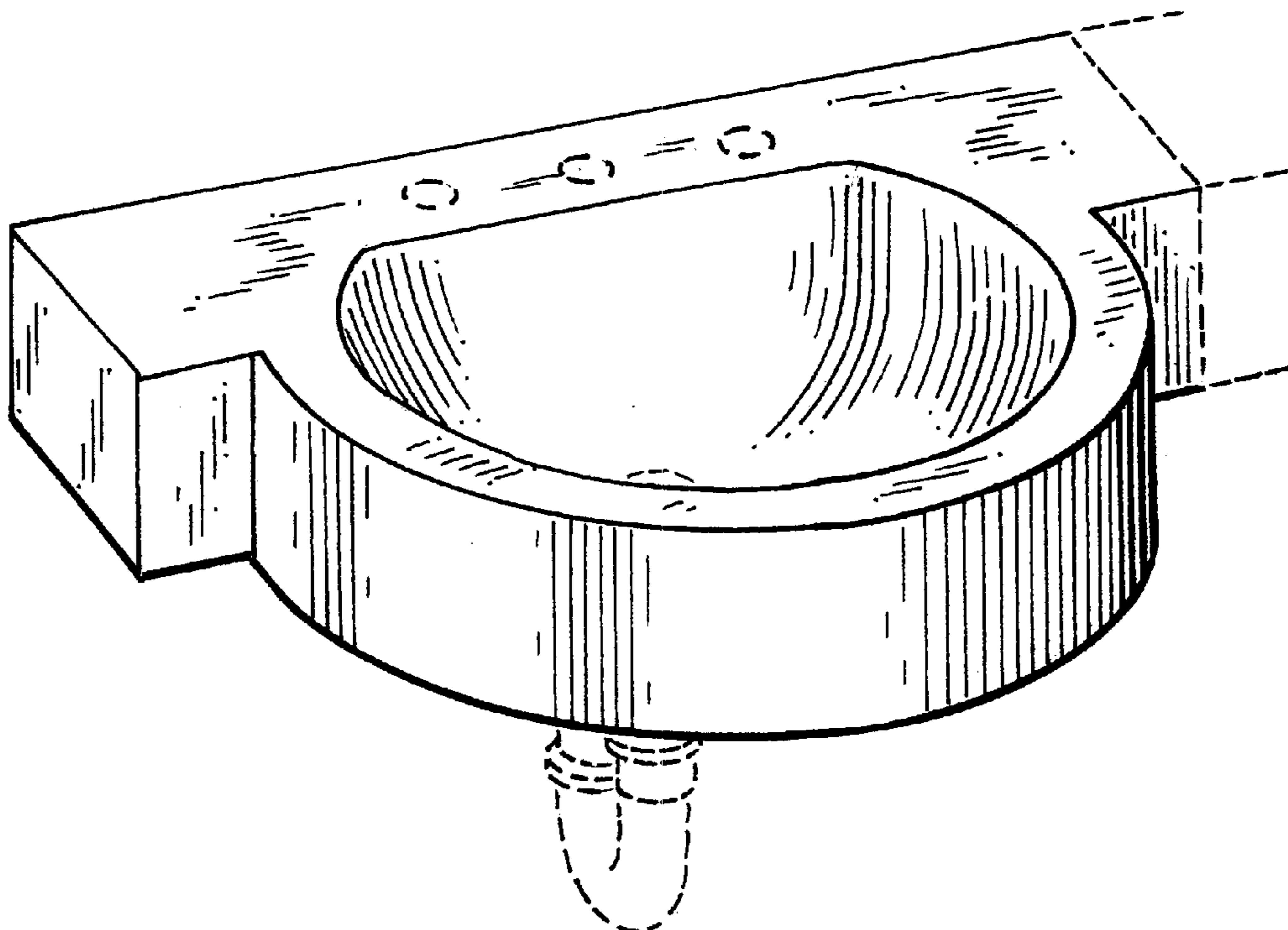
**DESCRIPTION**

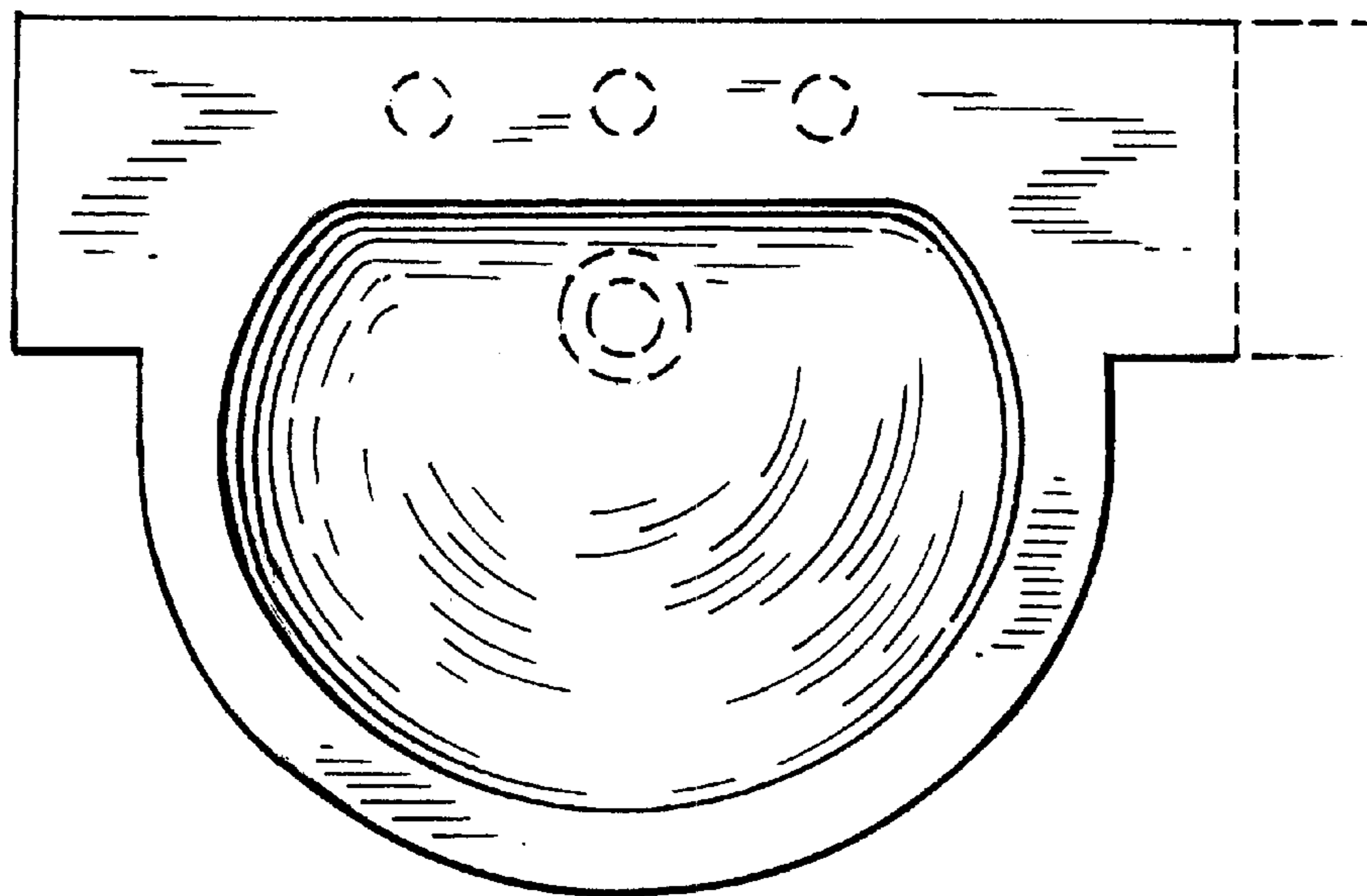
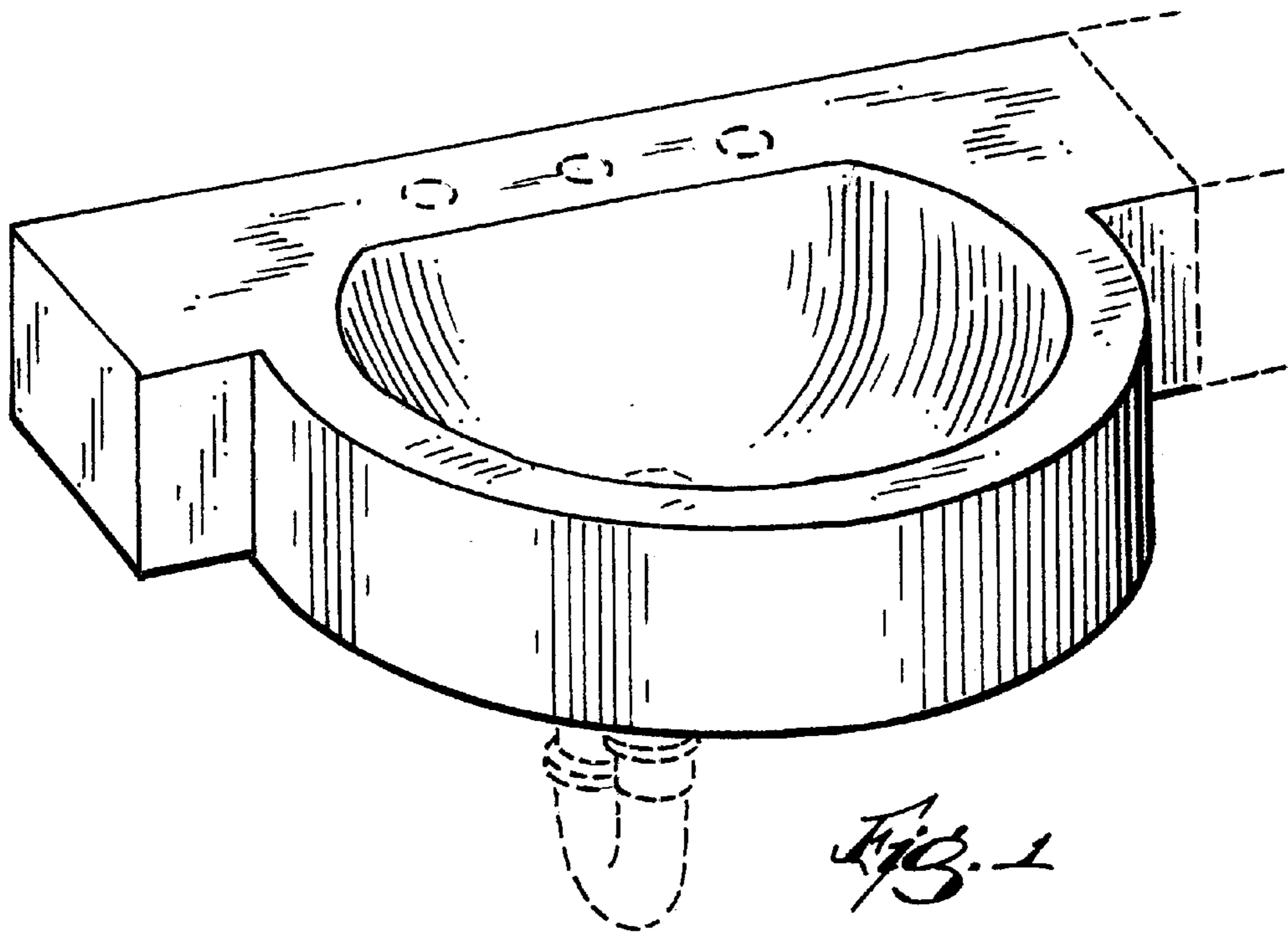
**U.S. PATENT DOCUMENTS**

2,599,529	A	*	6/1952	Harvey	.....	4/621
D312,123	S	*	11/1990	Enthoven	.....	D23/293.1
D319,691	S		9/1991	Yvetot		
5,369,818	A		12/1994	Barnum et al.		
D374,068	S	*	9/1996	Segenschmid	.....	D23/286
D398,969	S		9/1998	Barnum et al.		
D400,656	S	*	11/1998	Marcke	.....	D23/284
D400,980	S	*	11/1998	Schroer	.....	D23/293.1
D411,876	S		7/1999	Hafner et al.		
D428,476	S	*	7/2000	Abolafia	.....	D23/284

FIG. 1 is a perspective view of a sink embodying my design. FIG. 2 is a top plan view of the design shown in FIG. 1. FIG. 3 is a front view of the design shown in FIG. 1; and, FIG. 4 is a right side view of the design shown in FIG. 1. The broken line showing of the environment is for illustrative purposes only and forms no part of the claimed design. The broken lines which define the boundaries of the claimed design form no part thereof. The bottom and rear view are not part of the claimed design.

**1 Claim, 2 Drawing Sheets**





*Fig. 2*

