



US00D455199S

(12) **United States Design Patent** (10) **Patent No.:** **US D455,199 S**
Lenart et al. (45) **Date of Patent:** **** *Apr. 2, 2002**

(54) **SHOWER CONTROL KNOB**
(75) Inventors: **Robert Lenart**, Olmsted Falls;
Eduardo Milrud, Cleveland Heights;
Charles Molina, Lakewood, all of OH
(US)

(73) Assignee: **Moen Incorporated**, North Olmsted,
OH (US)

(*) Notice: This patent is subject to a terminal dis-
claimer.

(**) Term: **14 Years**

(21) Appl. No.: **29/125,112**

(22) Filed: **Jun. 19, 2000**

(51) **LOC (7) Cl.** **23-01**

(52) **U.S. Cl.** **D23/254**

(58) **Field of Search** D23/238-243,
D23/245, 249-257; D8/300-310, 350-354;
4/675-678; 16/110 R-121; 137/801

(56) **References Cited**

U.S. PATENT DOCUMENTS

D57,900 S	*	5/1921	Grebe	D23/254
D68,807 S	*	11/1925	Hill	D23/254
D169,434 S	*	4/1953	Gredell	D23/252
D190,897 S	*	7/1961	Chapman	D23/252
D199,426 S	*	10/1964	Armstrong	D23/252
D209,804 S	*	1/1968	Lannell	D23/252
D258,835 S	*	4/1981	Saporito et al.	D23/242

D285,107 S	*	8/1986	Ogilvie	D23/254
D291,477 S	*	8/1987	Lathrop	D23/250
D305,863 S	*	2/1990	Gresens et al.	D8/352
D319,294 S	*	8/1991	Kohler et al.	D23/254
D337,813 S	*	7/1993	Levien	D23/252
D355,021 S	*	1/1995	Schott et al.	D23/254
D363,765 S	*	10/1995	Starck	D23/254
D368,957 S	*	4/1996	Bavoso	D23/252
D397,771 S	*	9/1998	Lobermeier	D23/254
D427,291 S	*	6/2000	Milrud et al.	D23/254
D433,489 S	*	7/2000	Burns et al.	D23/254

* cited by examiner

Primary Examiner—Louis S. Zarfes

Assistant Examiner—Gregory Andoll

(74) *Attorney, Agent, or Firm*—Cook, Alex, McFarron,
Manzo, Cummings & Mehler, Ltd.

(57) **CLAIM**

The ornamental design for a shower control knob, as shown
and described.

DESCRIPTION

FIG. 1 is a front perspective view of our new design for a
shower control knob;

FIG. 2 is a left side view thereof, the right side being the
same as the left side;

FIG. 3 is a front view thereof;

FIG. 4 is a top view thereof;

FIG. 5 is a bottom view thereof; and,

FIG. 6 is a rear view thereof.

1 Claim, 2 Drawing Sheets

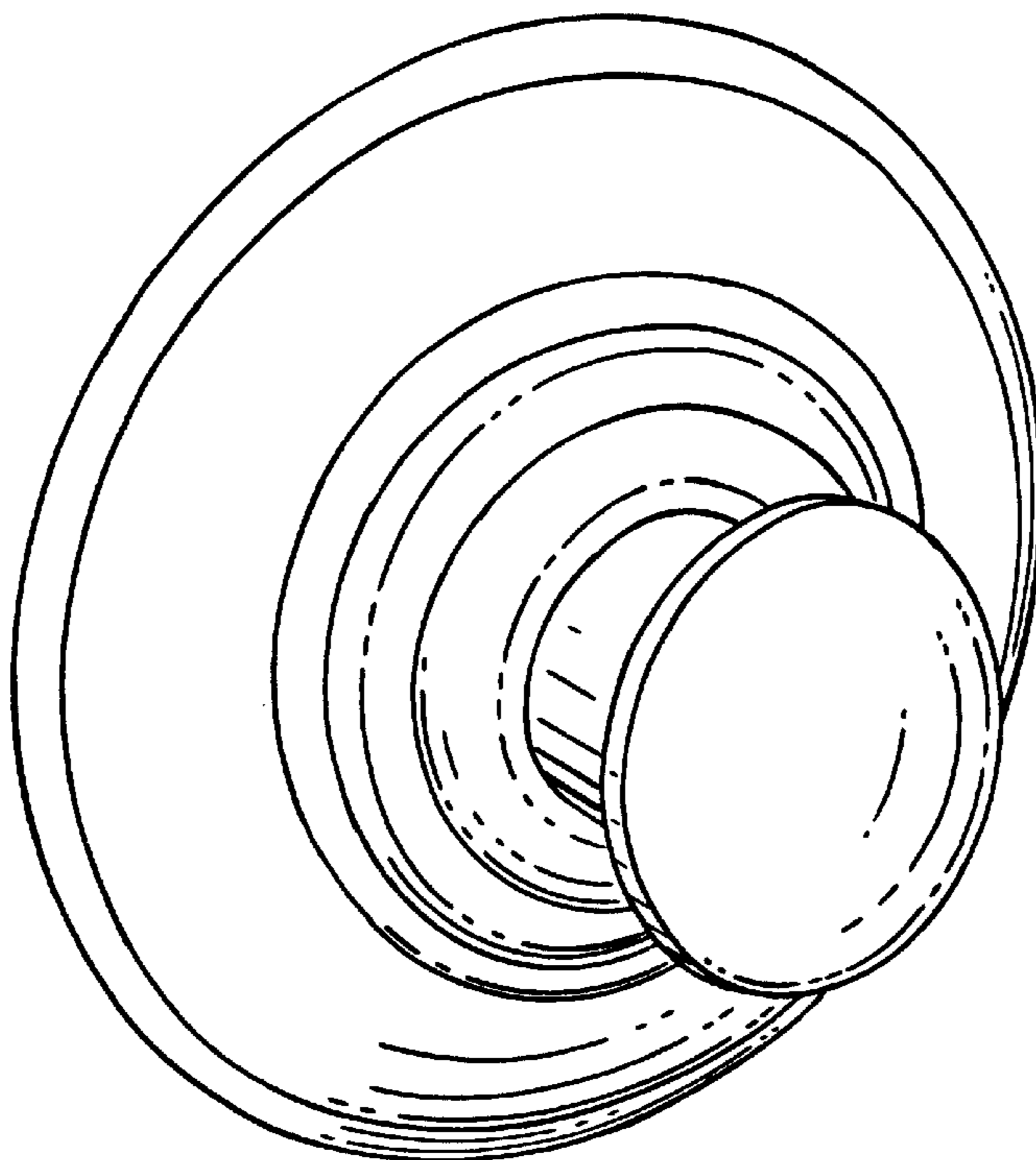


Fig. 1.

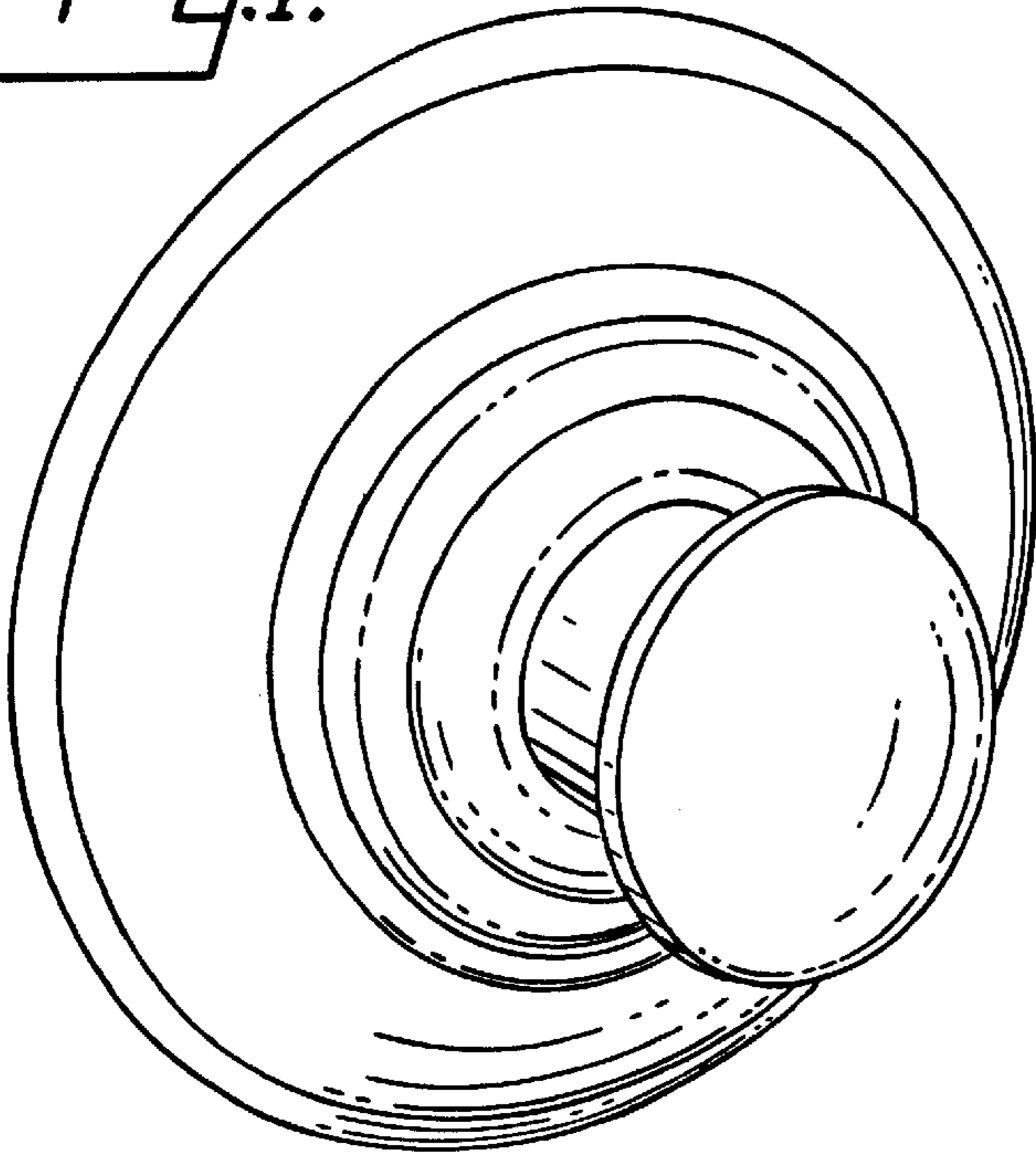


Fig. 2.

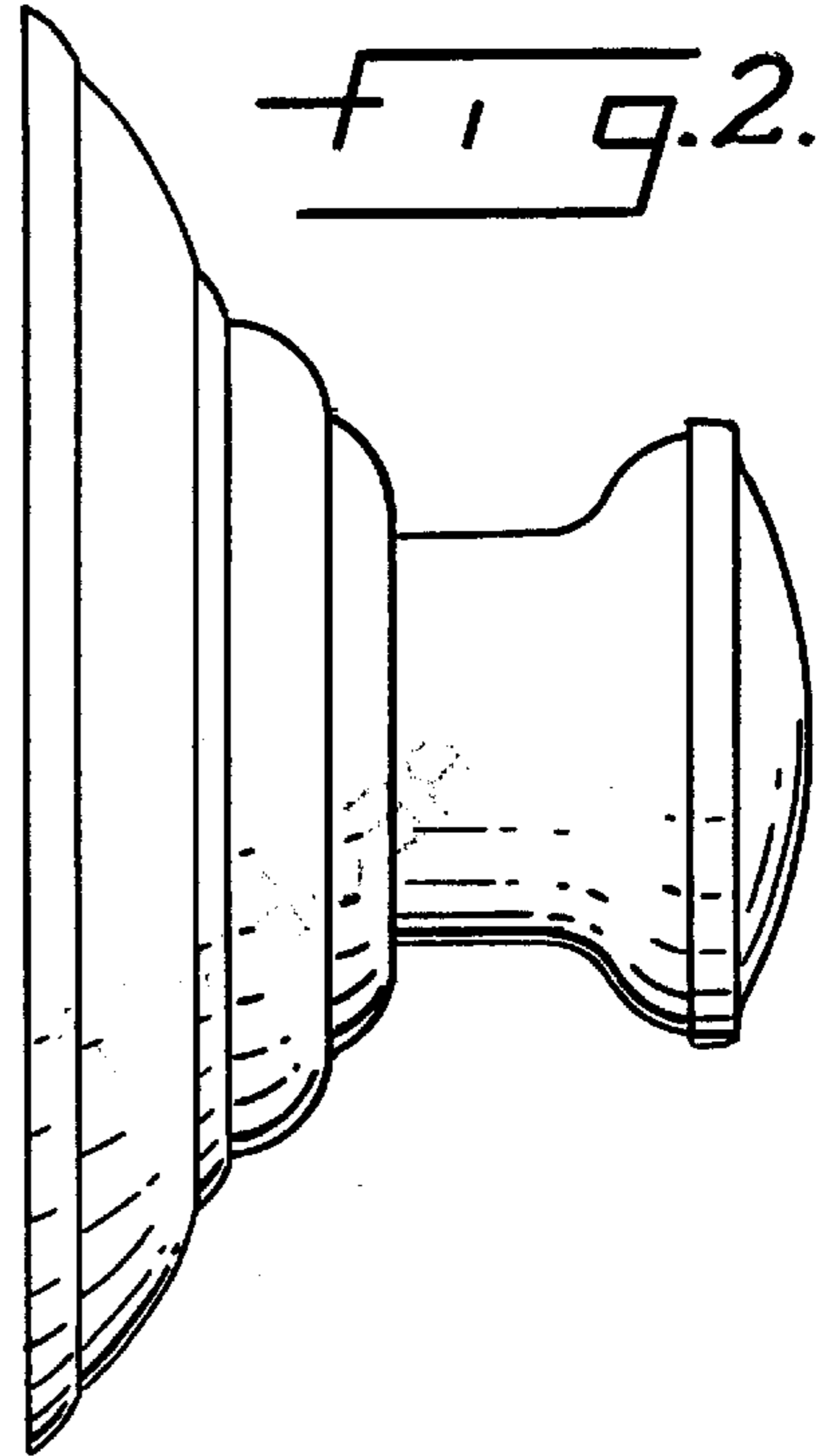


Fig. 3.

