



US00D455192S

(12) **United States Design Patent**
Bullock

(10) **Patent No.:** **US D455,192 S**

(45) **Date of Patent:** **** Apr. 2, 2002**

(54) **RECOIL BUFFER FOR GLOCK'S**

(76) **Inventor:** **Larry Alan Bullock**, P.O. Box 104903,
Jefferson City, MO (US) 65110

(**) **Term:** **14 Years**

(21) **Appl. No.:** **29/116,849**

(22) **Filed:** **Jan. 11, 2000**

(51) **LOC (7) Cl.** **22-01**

(52) **U.S. Cl.** **D22/111**

(58) **Field of Search** D22/100, 104,
D22/108, 111, 199; 89/44.01, 44.02, 198

(56) **References Cited**

U.S. PATENT DOCUMENTS

3,662,648	A	*	5/1972	Maillard	89/44.02
5,465,654	A	*	11/1995	Cominoli	89/198
D390,302	S	*	2/1998	Bullock	D22/108
D390,303	S	*	2/1998	Bullock	D22/108 X
D429,791	S	*	8/2000	Bullock	D22/108 X

* cited by examiner

Primary Examiner—Louis S. Zarfaz

Assistant Examiner—Monica A. Weingart

(74) *Attorney, Agent, or Firm*—Richard Grundstrom

(57) **CLAIM**

The ornamental design for a recoil buffer for Glock's, as shown and described.

DESCRIPTION

FIG. 1 is a front view of the recoil buffer for Glock's.

FIG. 2 is a rear view of the recoil buffer for Glock's.

FIG. 3 is a top view showing the recoil buffer for Glock's.

FIG. 4 is a bottom view of the recoil buffer for Glock's.

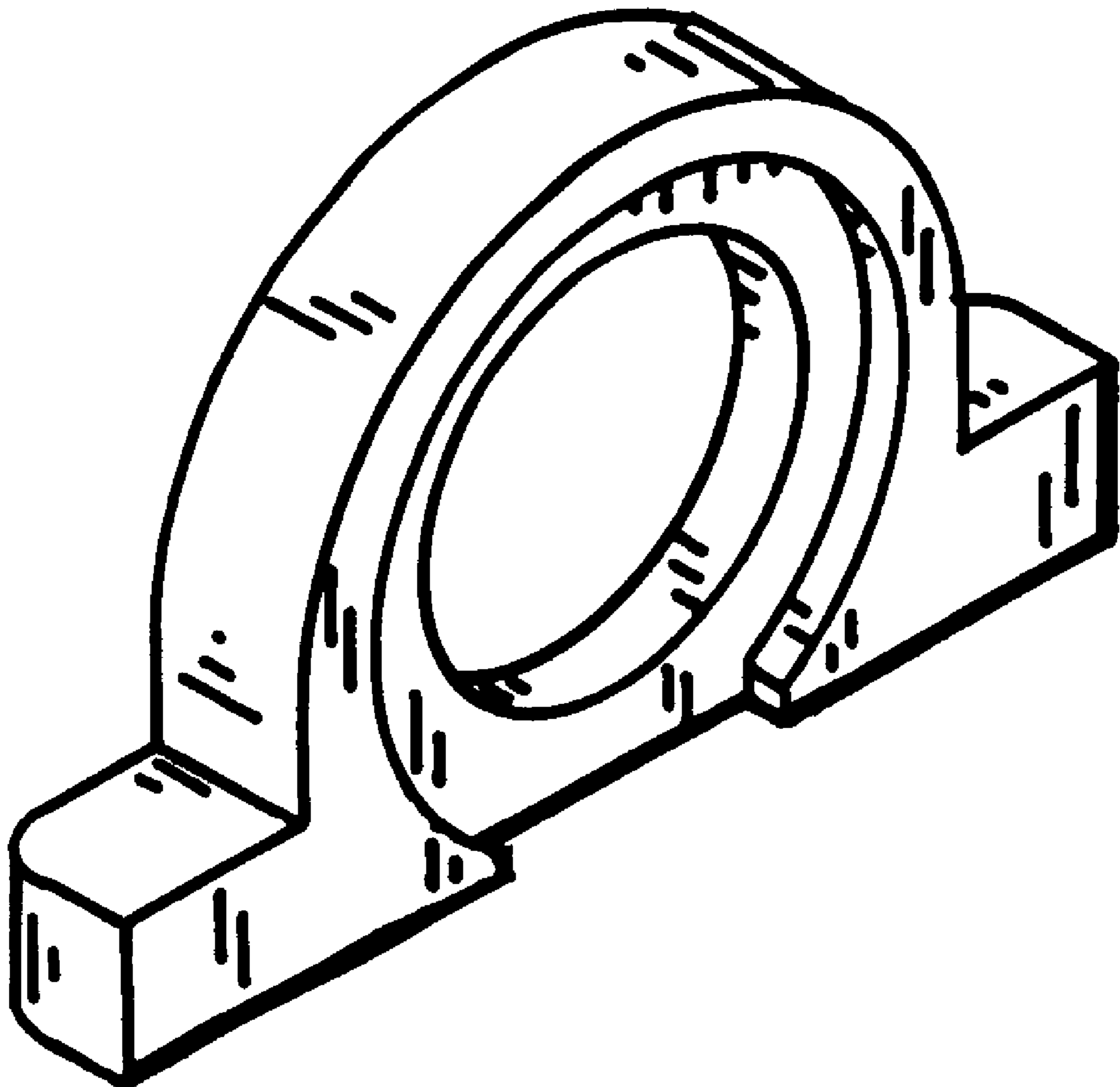
FIG. 5 is a right side view of the recoil buffer for Glock's.

FIG. 6 is a left side view of the recoil buffer for Glock's.

FIG. 7 is a rear perspective view, on a reduced scale, of the recoil buffer for Glock's; and,

FIG. 8 is a front perspective view, on a reduced scale, of the recoil buffer for Glock's.

1 Claim, 6 Drawing Sheets



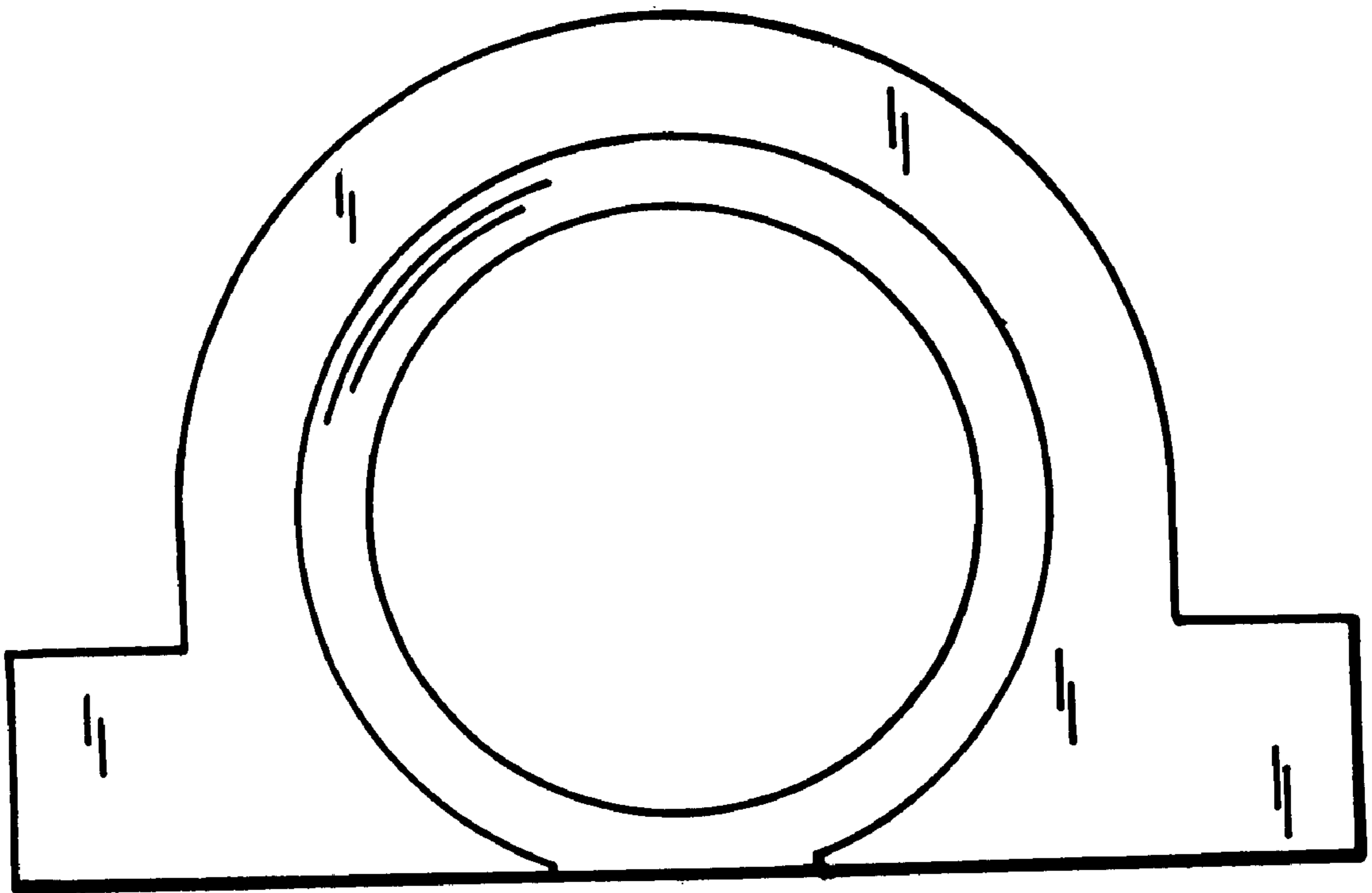


FIG.1.

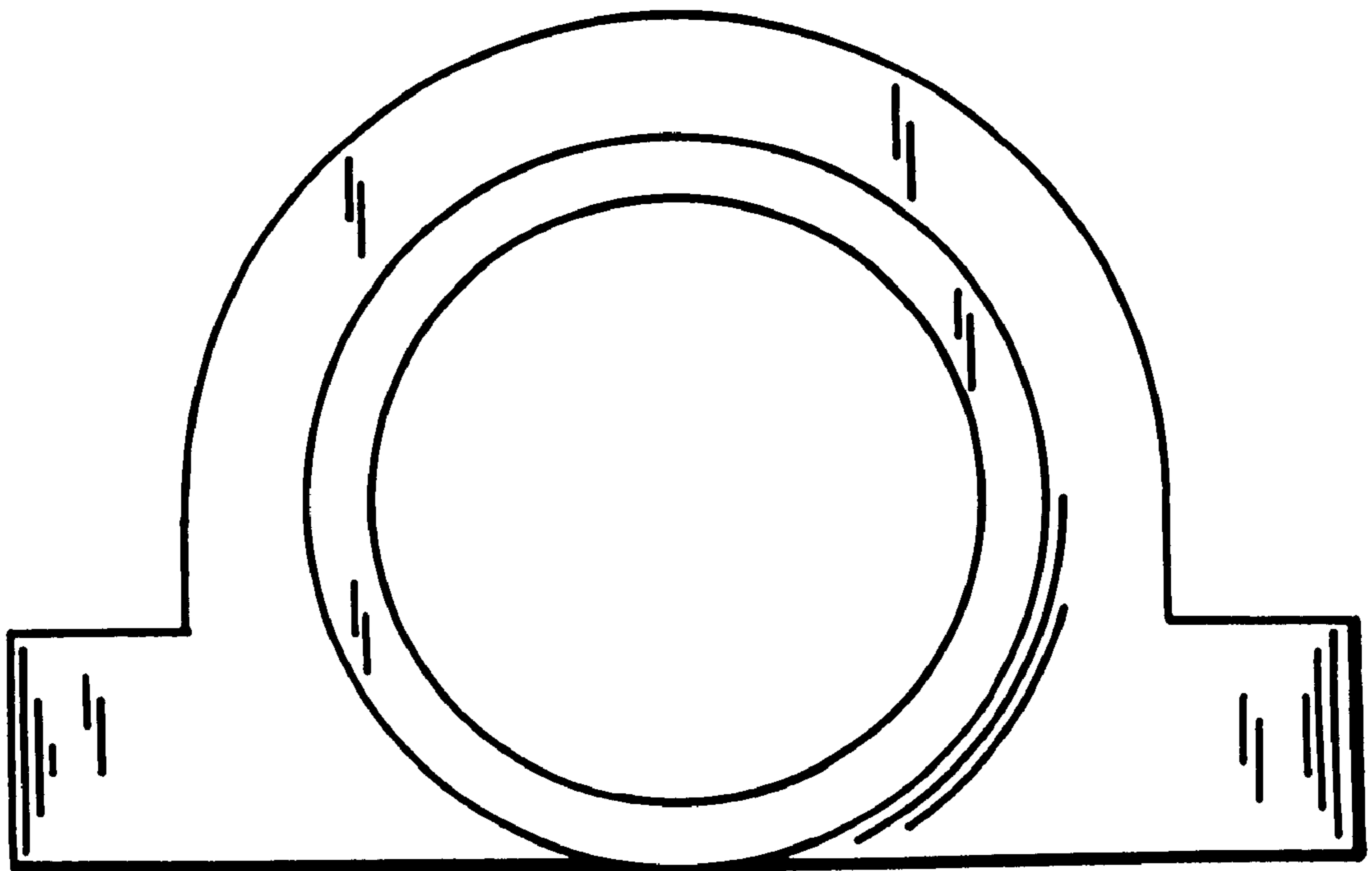


FIG. 2.

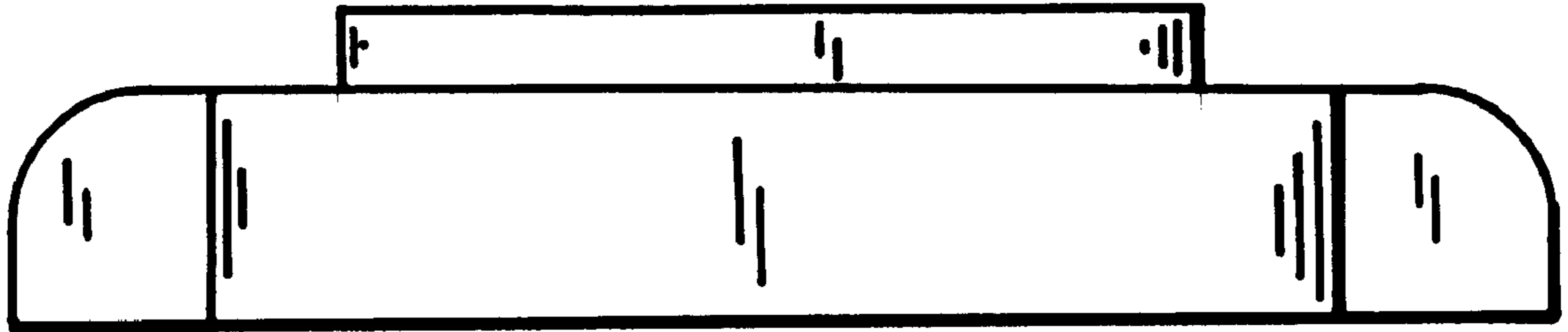


FIG.3.

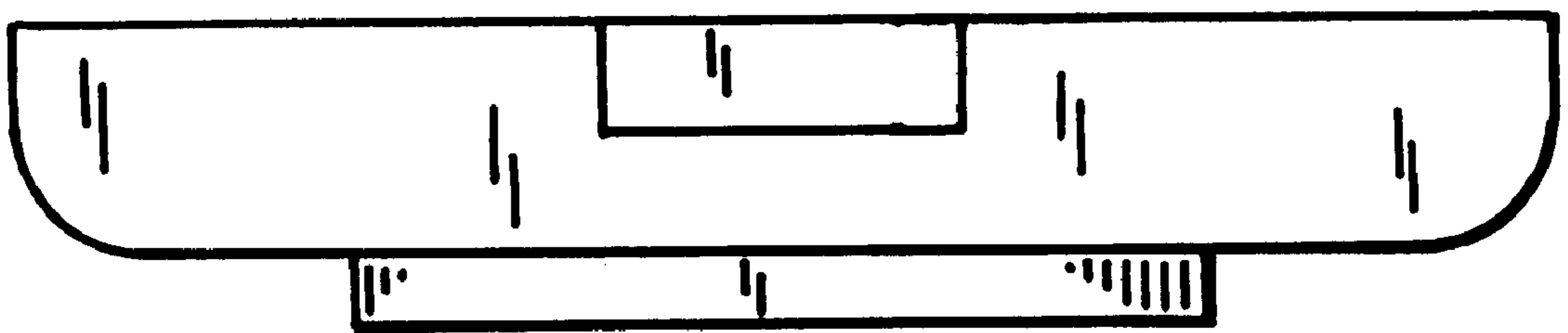


FIG.4.

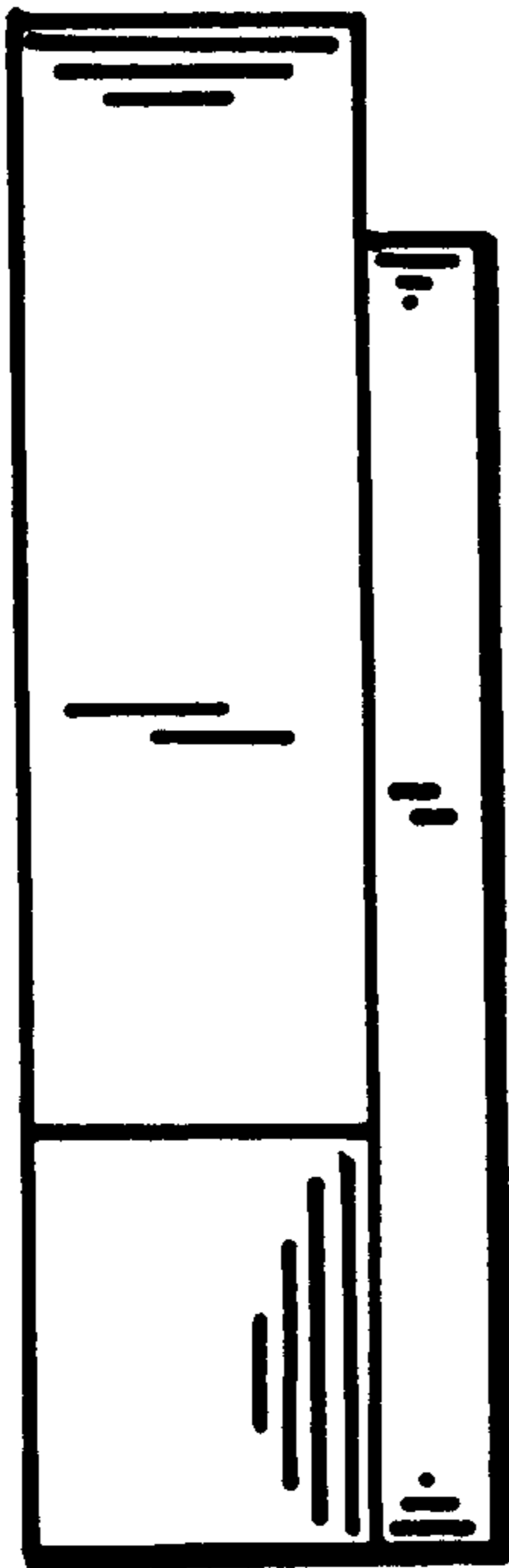


FIG. 5.

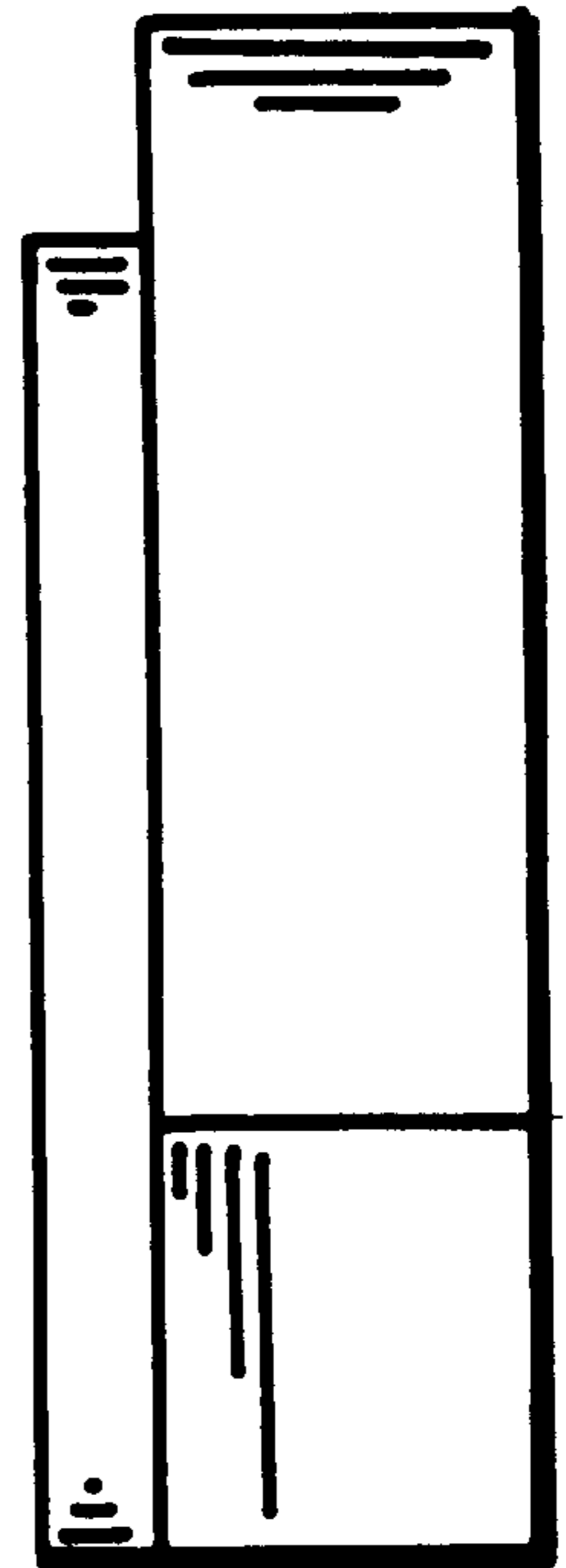


FIG. 6.

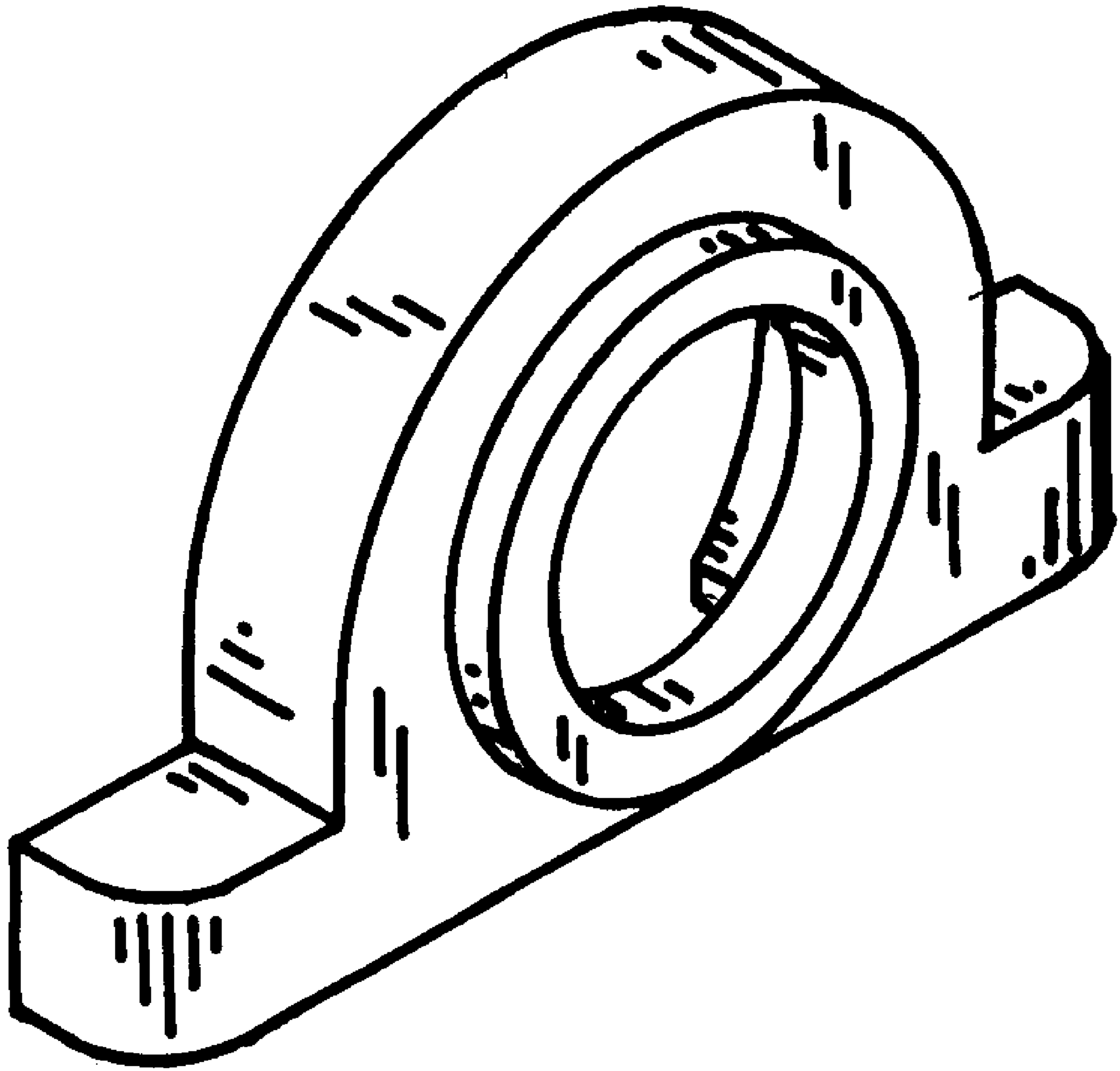


FIG. 7.

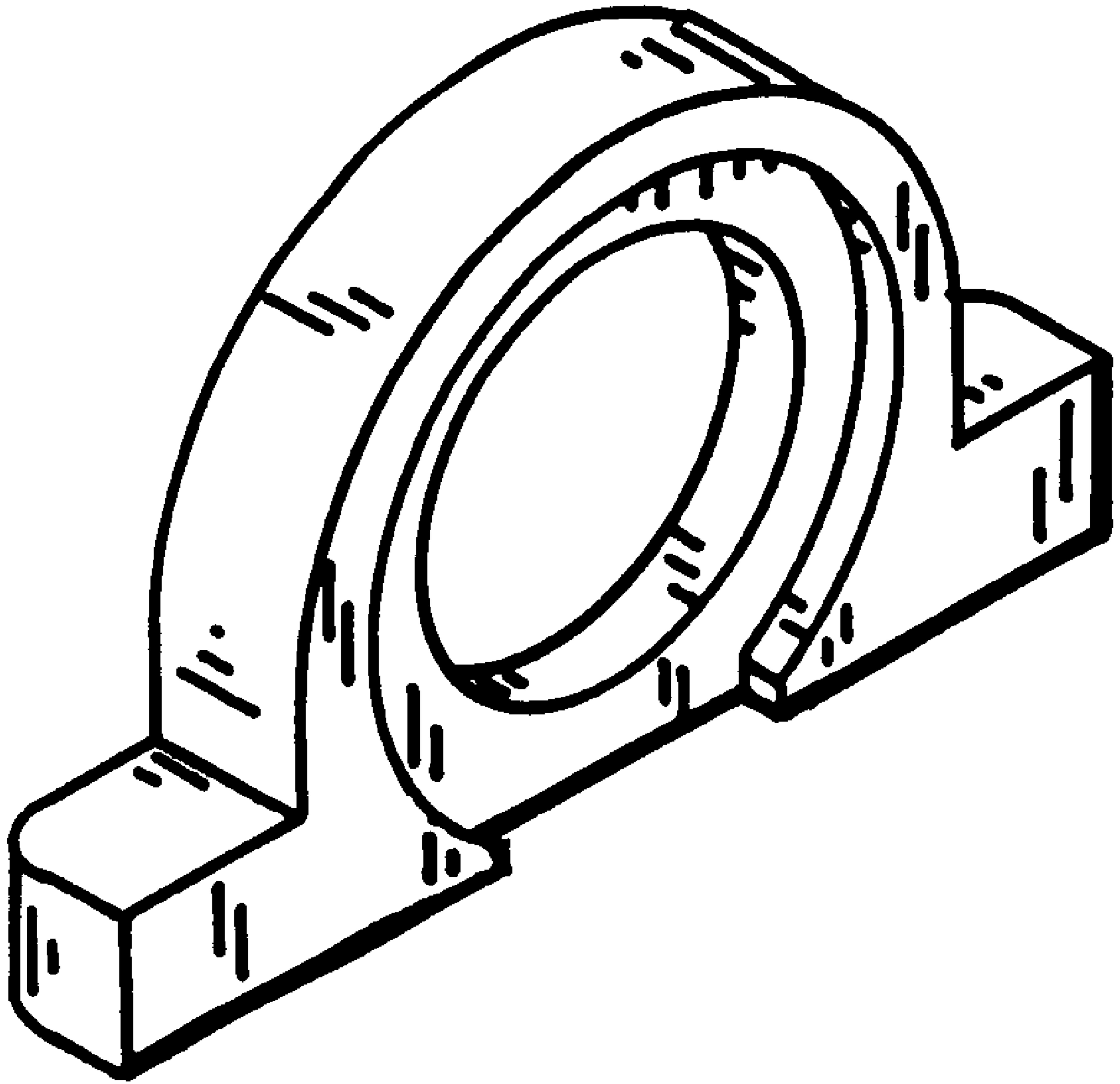


FIG. 8.