



US00D455191S

(12) **United States Design Patent**  
Norris, Sr.

(10) **Patent No.:** **US D455,191 S**

(45) **Date of Patent:** **\*\* \*Apr. 2, 2002**

(54) **SLING SWIVEL**

(75) **Inventor:** **Larry Alfred Norris, Sr., Hillsboro, OR (US)**

(73) **Assignee:** **Michaels of Oregon Co., Oregon City, OR (US)**

(\*) **Notice:** This patent is subject to a terminal disclaimer.

(\*\*) **Term:** **14 Years**

(21) **Appl. No.:** **29/113,781**

(22) **Filed:** **Nov. 10, 1999**

(51) **LOC (7) Cl. .... 22-01**

(52) **U.S. Cl. .... D22/108**

(58) **Field of Search .... D22/100, 108, D22/199; 42/83, 85; 224/150; 24/2.5**

(56) **References Cited**

**U.S. PATENT DOCUMENTS**

1,088,314 A	2/1914	Wilcke	
1,309,431 A *	7/1919	Badger	24/2.5
1,913,841 A *	6/1933	Lowe	42/85
2,078,010 A	4/1937	Meepos	
2,190,268 A *	2/1940	Magid	24/2.5
2,296,733 A *	9/1942	Paolino	24/2.5
2,771,699 A	11/1956	Herter	
3,704,537 A	12/1972	McKinzie	
4,299,343 A	11/1981	Atchisson	
4,454,675 A	6/1984	Ives	

4,505,012 A	3/1985	Johnson	
4,841,658 A	6/1989	Katsenes	
5,067,267 A	11/1991	Ives	
5,074,069 A	12/1991	Shire	
5,279,060 A	1/1994	Watson	
5,692,654 A *	12/1997	Bell	24/2.5 X
6,178,600 B1 *	1/2001	French	42/85 X

\* cited by examiner

*Primary Examiner*—Louis S. Zarfaz

*Assistant Examiner*—Monica A. Weingart

(74) *Attorney, Agent, or Firm*—Chernoff, Vilhauer, McClung & Stenzel, LLP

(57) **CLAIM**

The ornamental design for a sling swivel, as shown and described.

**DESCRIPTION**

FIG. 1 is a perspective view of the sling swivel of the present invention;

FIG. 2 is a front elevational view thereof, the rear side view being a mirror image thereof;

FIG. 3 is a right side elevational view thereof;

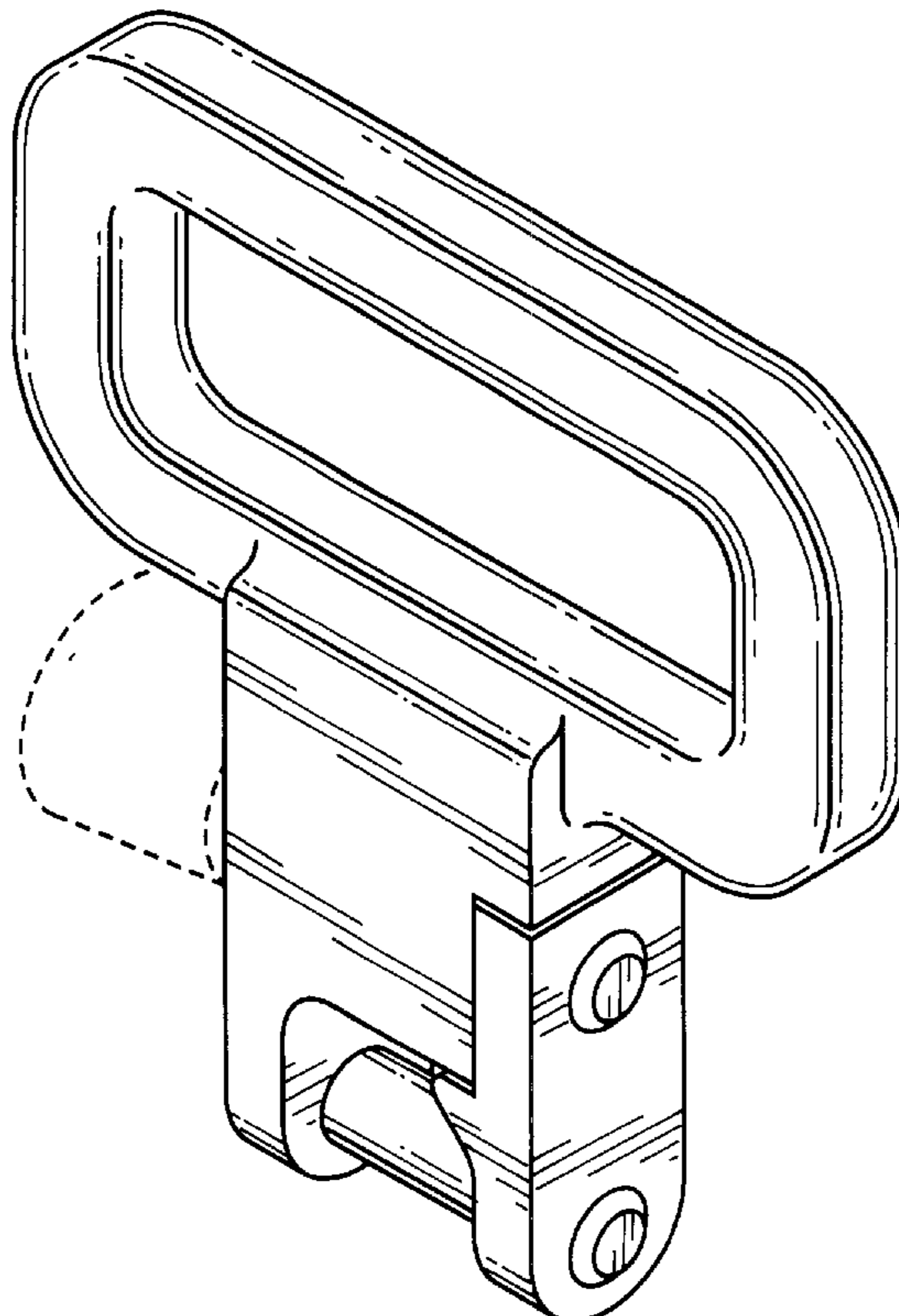
FIG. 4 is a left side elevational view thereof;

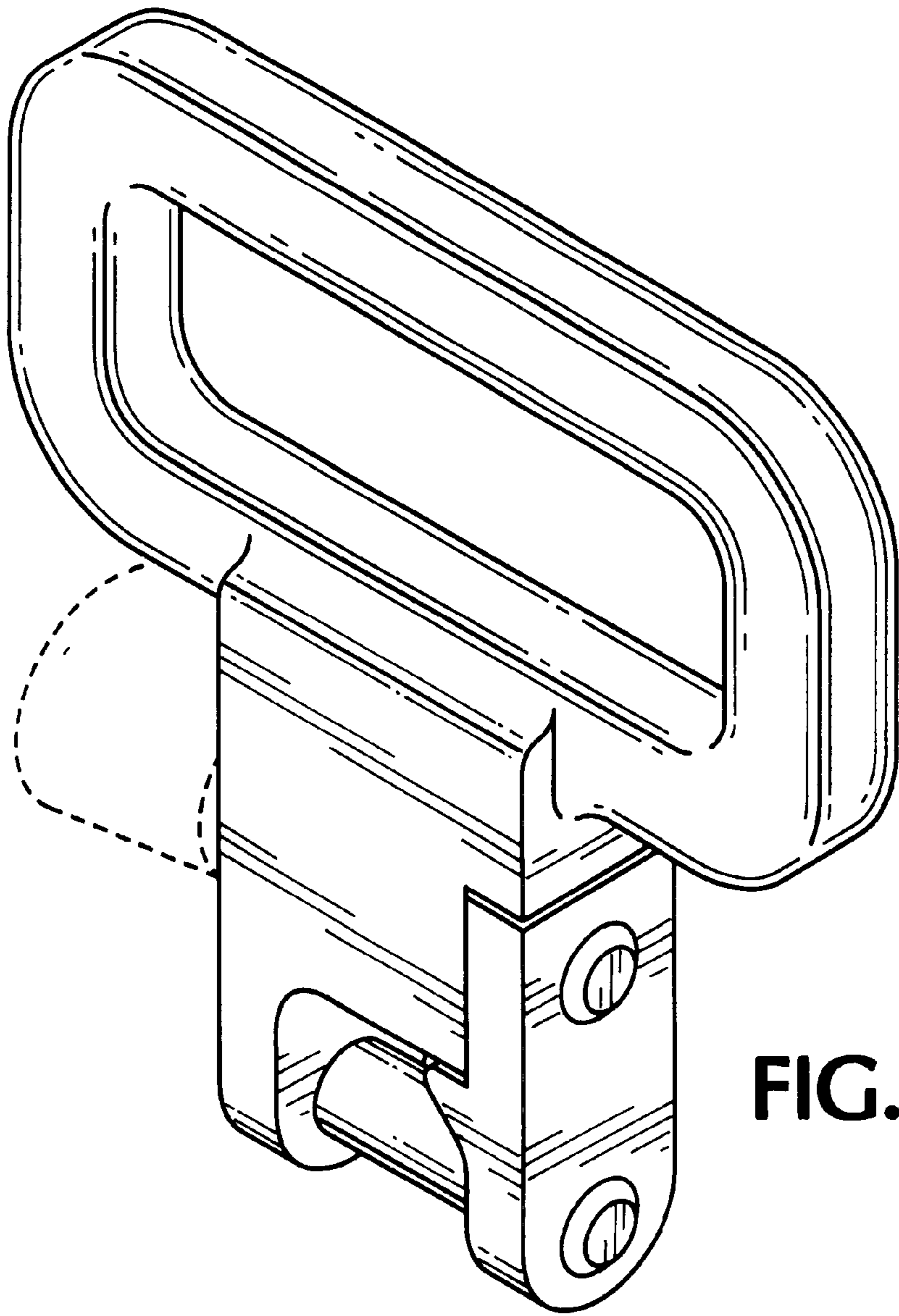
FIG. 5 is a top plan view thereof; and,

FIG. 6 is a bottom plan view thereof.

The broken line showing of the outer pivot, in FIGS. 1 and 2, is for illustrative purposes only and forms no part of the claimed design.

**1 Claim, 2 Drawing Sheets**





**FIG. 1**

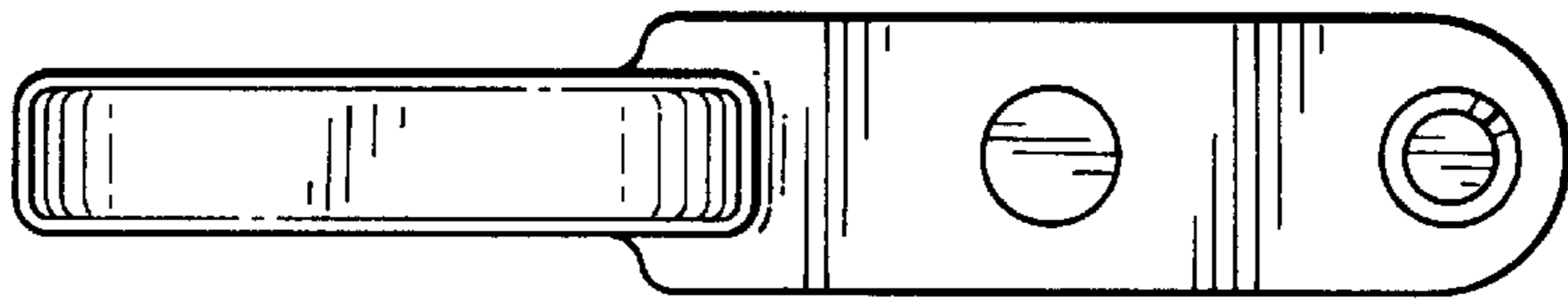
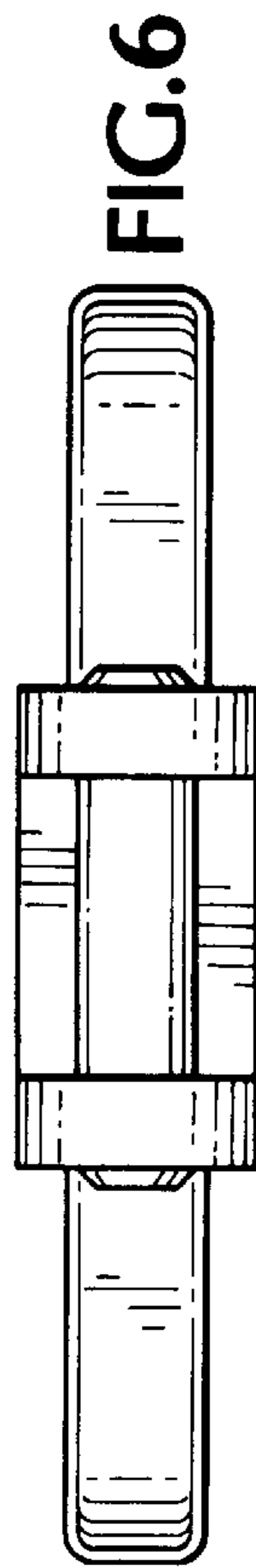
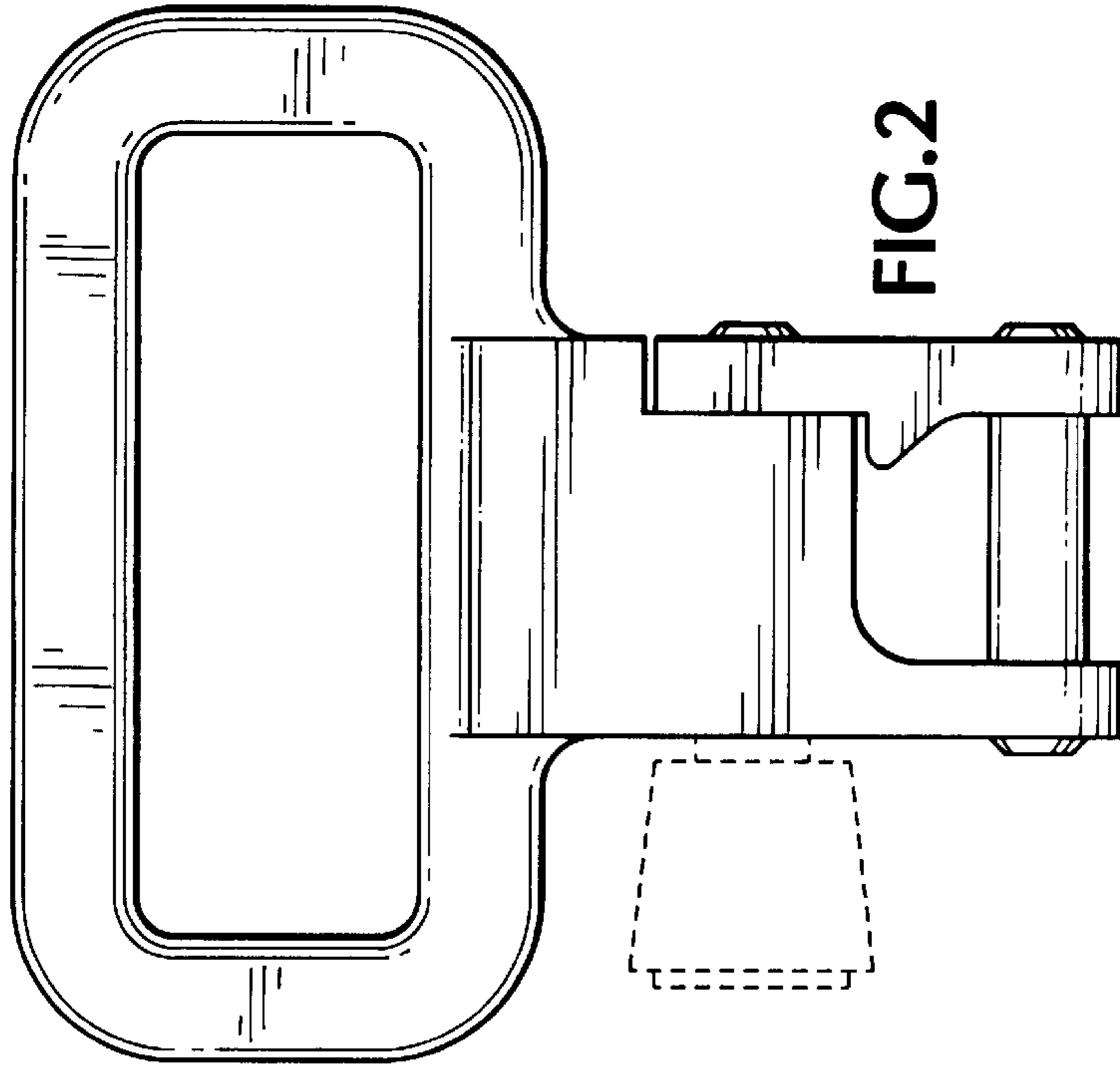
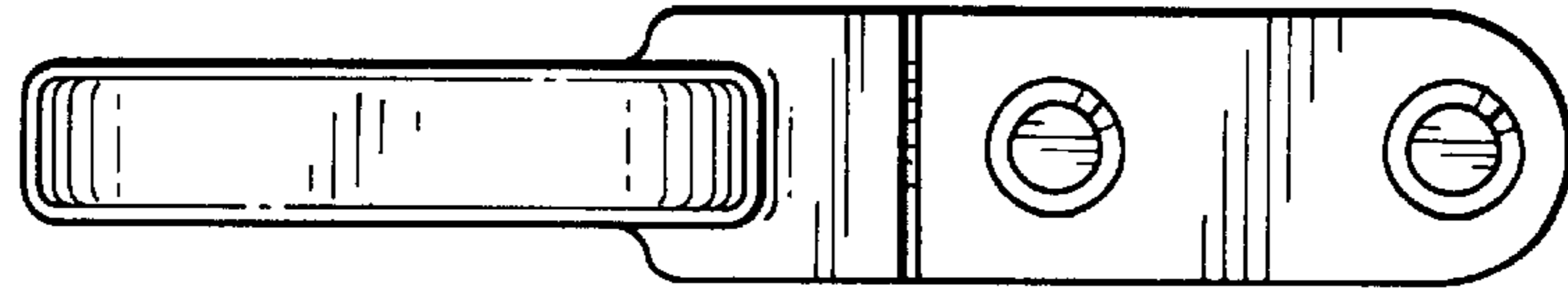
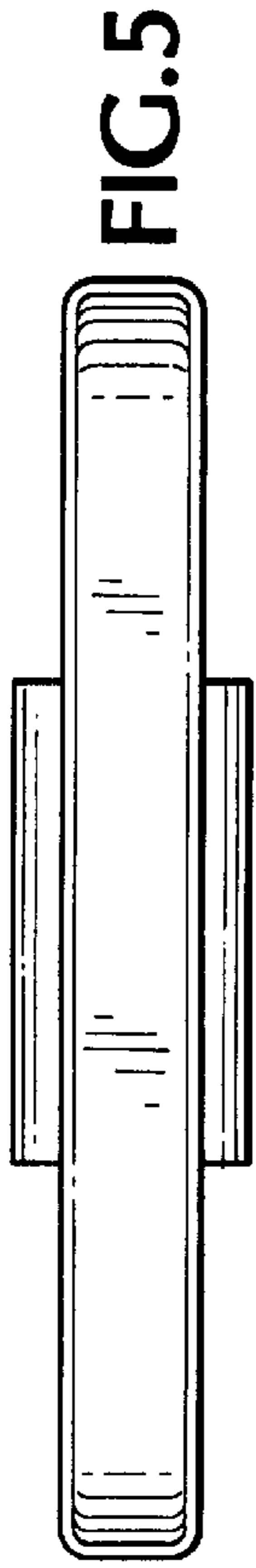


FIG. 4