



US00D455186S

(12) **United States Design Patent**
Koester

(10) **Patent No.:** **US D455,186 S**

(45) **Date of Patent:** **** Apr. 2, 2002**

(54) **TOY SURFBOARD**

(74) *Attorney, Agent, or Firm*—Orum & Roth

(75) **Inventor:** **Paul Koester**, Chicago, IL (US)

(57) **CLAIM**

(73) **Assignee:** **Millennium Products, Incorporated**,
Chicago, IL (US)

I claim the ornamental design for a toy surfboard, as shown and described.

(**) **Term:** **14 Years**

DESCRIPTION

(21) **Appl. No.:** **29/126,582**

FIG. 1 is a perspective view of a toy surfboard showing our new design;

(22) **Filed:** **Jul. 17, 2000**

FIG. 2 is a front elevational view thereof;

(51) **LOC (7) Cl.** **21-02**

FIG. 3 is a rear elevational view thereof;

(52) **U.S. Cl.** **D21/769**

FIG. 4 is a top view thereof;

(58) **Field of Search** D21/760, 769,
D21/770, 801, 597; 441/68, 70, 74

FIG. 5 is a left-side elevational view thereof, the right-side elevational view being a mirror image thereof;

(56) **References Cited**

U.S. PATENT DOCUMENTS

D323,691 S	*	2/1992	Olson	D21/769
5,944,570 A	*	8/1999	Appleby	441/65
D428,459 S	*	7/2000	Broz et al.	D21/769
D432,612 S	*	10/2000	Bowlds, Jr. et al.	D21/769

FIG. 6 is a bottom view thereof;

FIG. 7 is a second embodiment of FIG. 1, the only difference being the graphics applied to the top and bottom of the toy surfboard;

FIG. 8 is a front elevational view of FIG. 7;

FIG. 9 is a rear elevational view of FIG. 7;

FIG. 10 is a top view of FIG. 7;

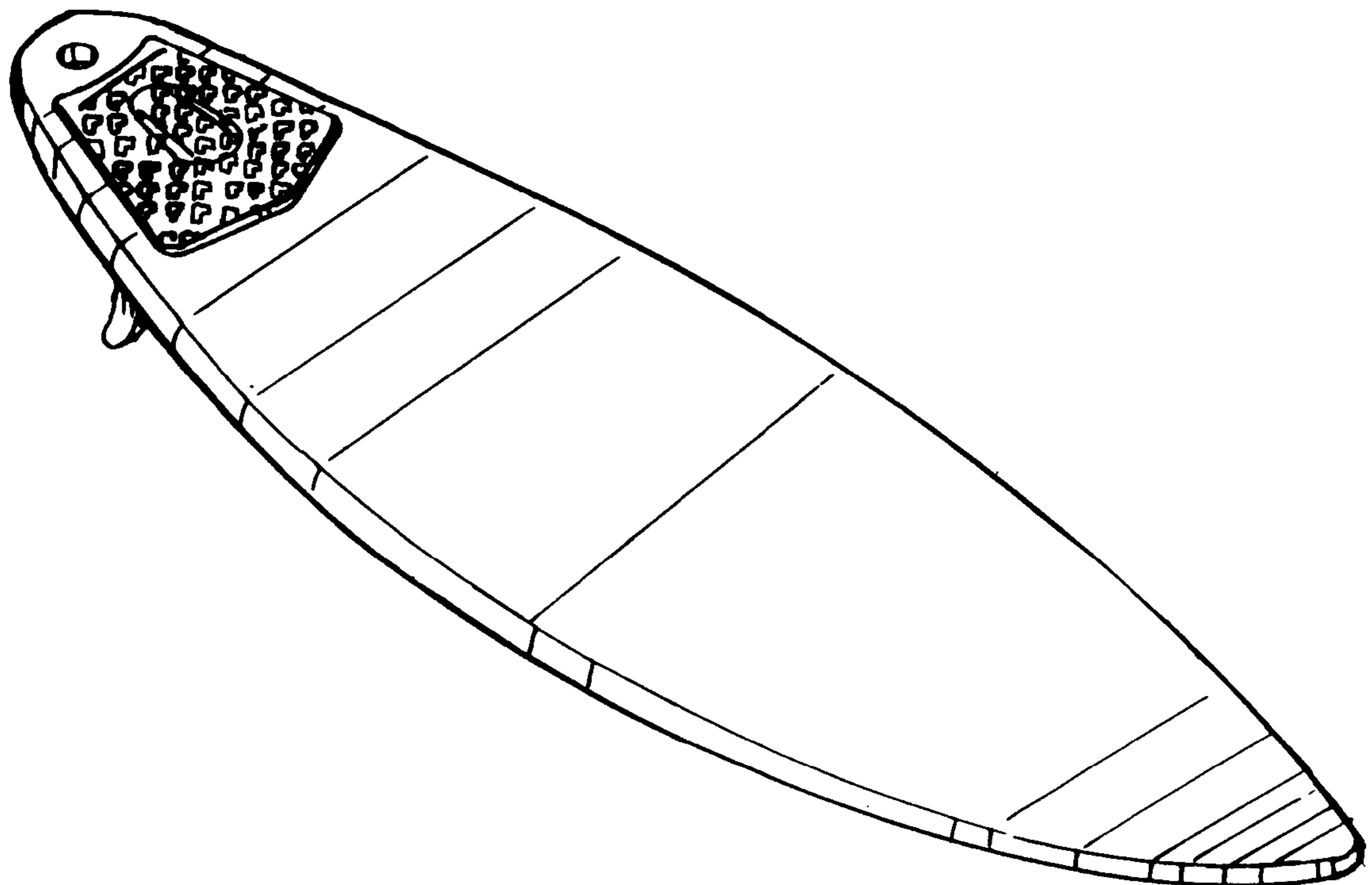
FIG. 11 is a left-elevational view of FIG. 7, the right-elevational view being a mirror image thereof; and,

FIG. 12 is a bottom view of FIG. 7.

* cited by examiner

Primary Examiner—Kay H. Chin

1 Claim, 2 Drawing Sheets



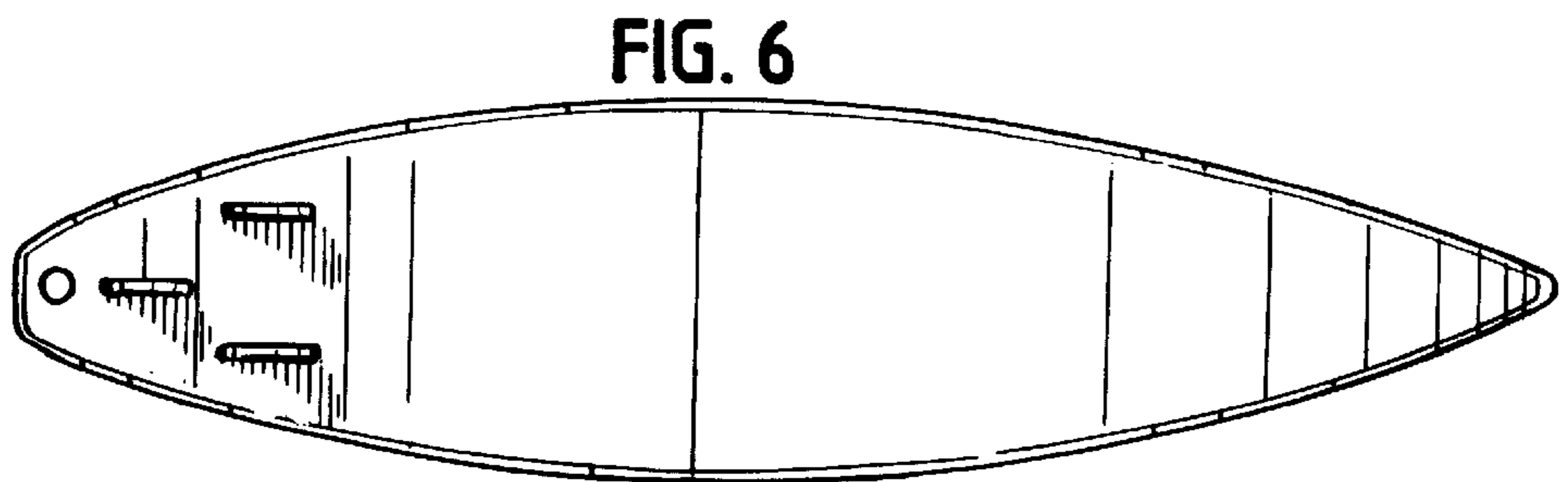
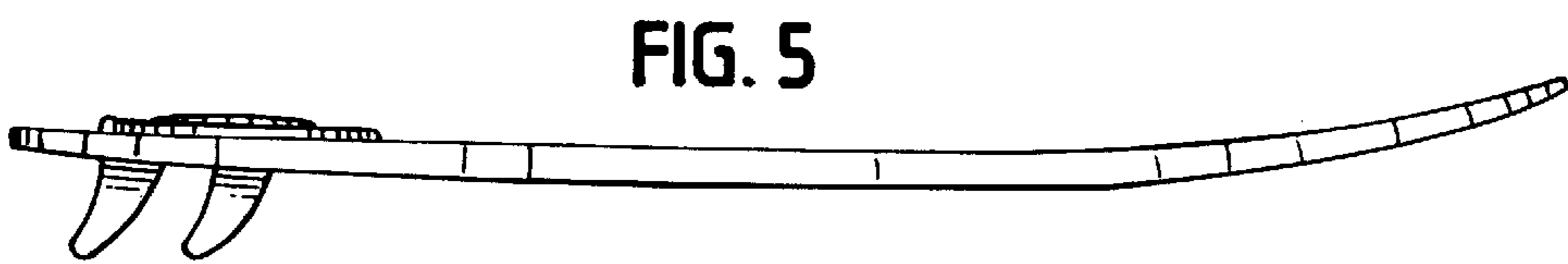
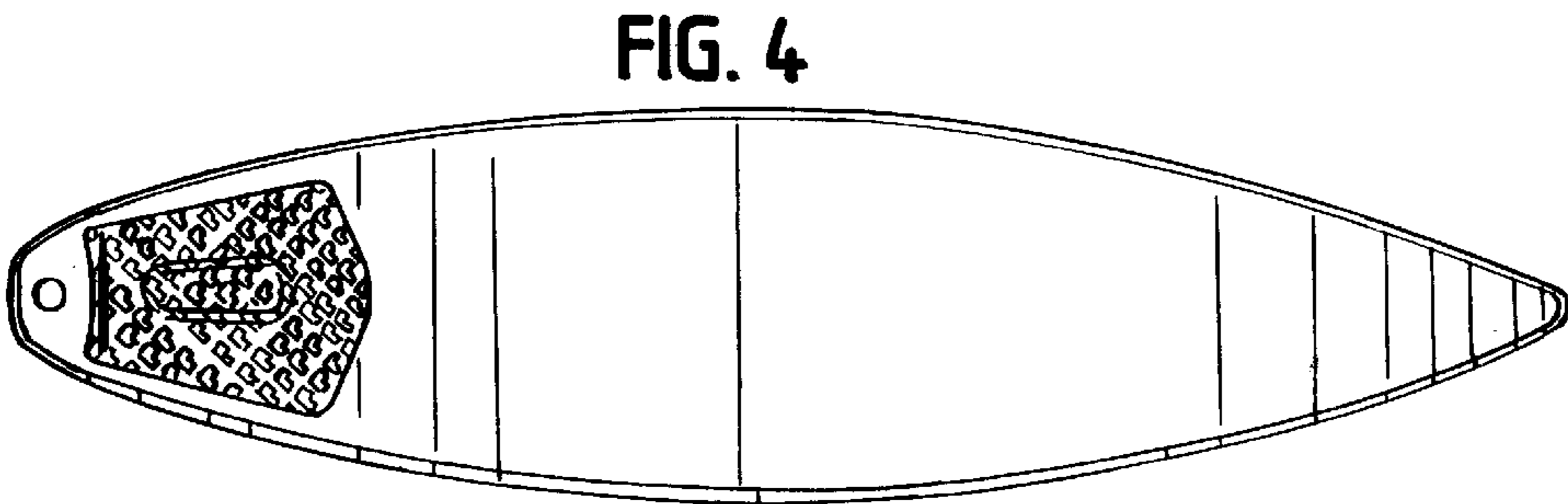
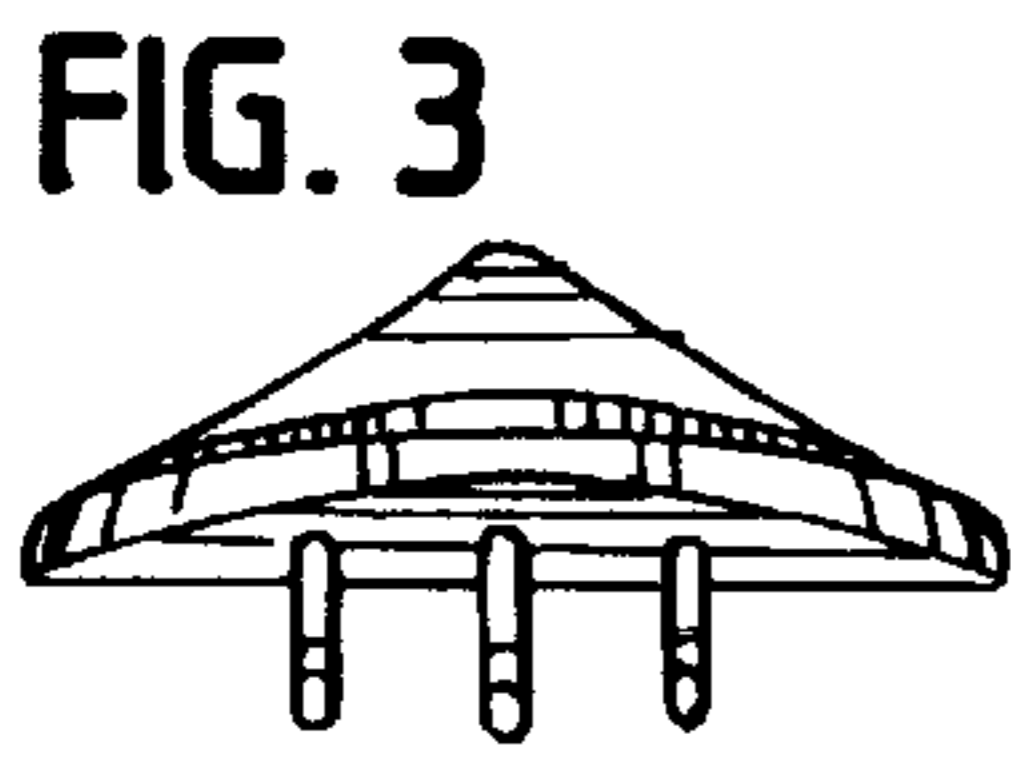
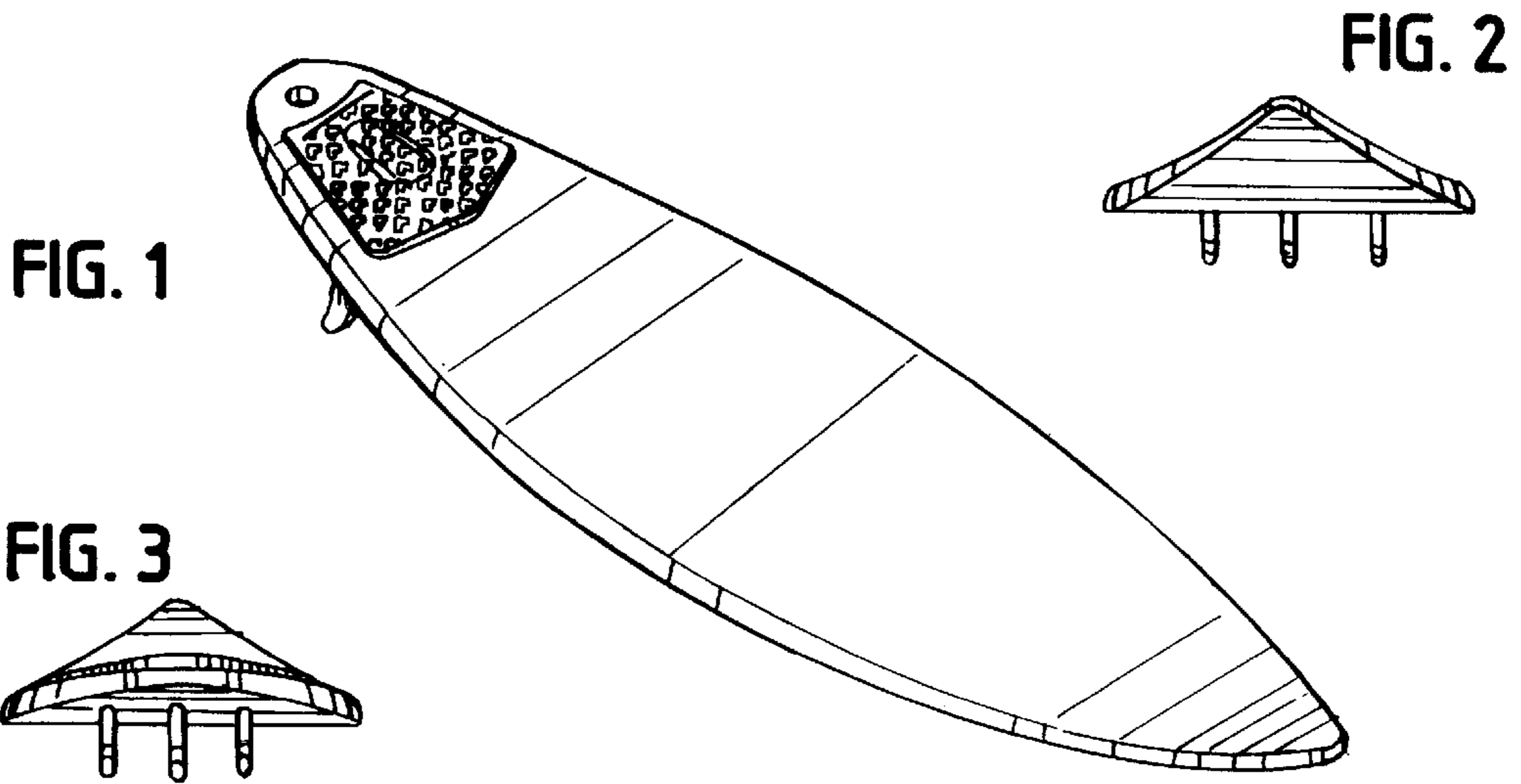


FIG. 7

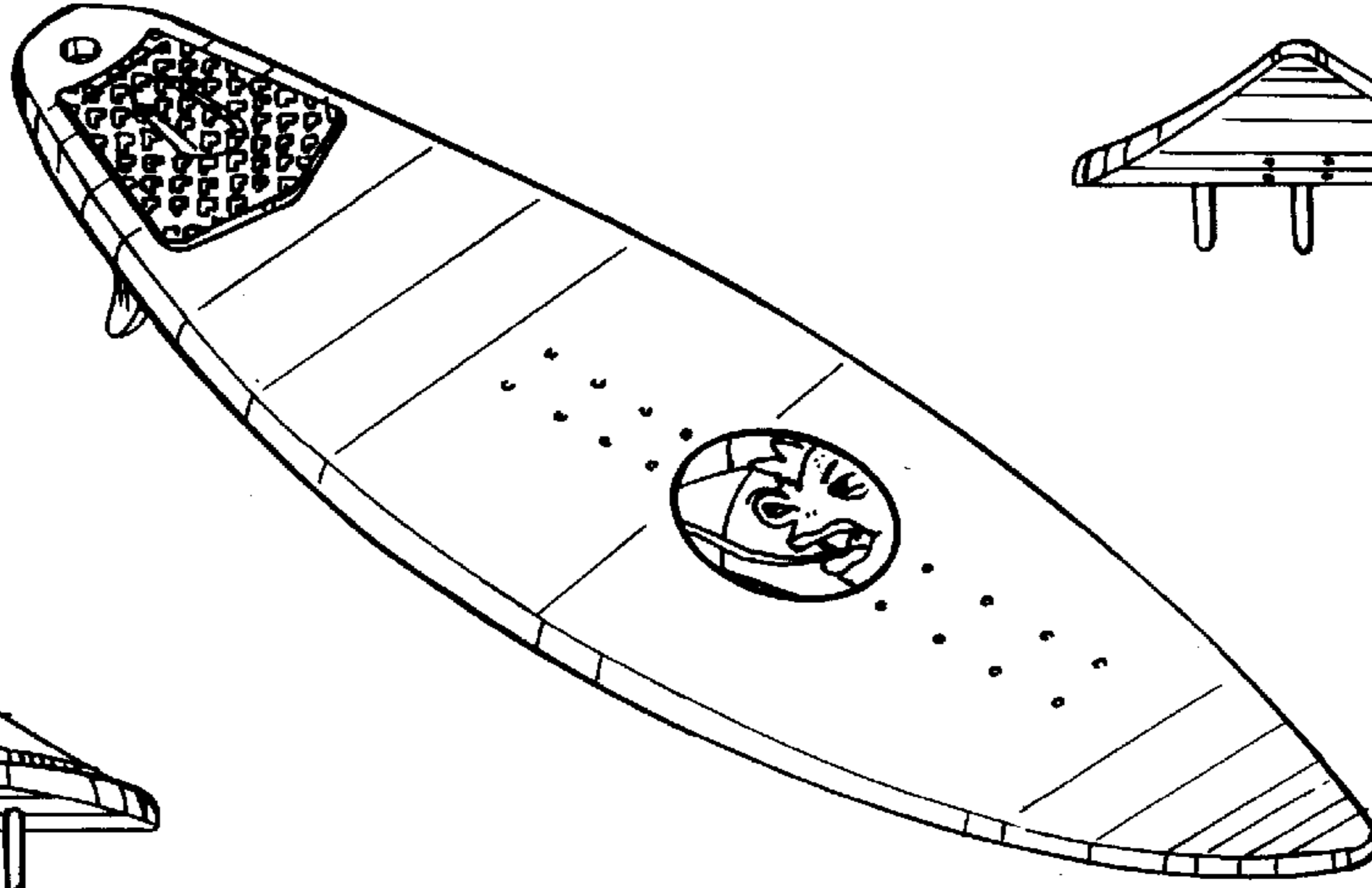


FIG. 8

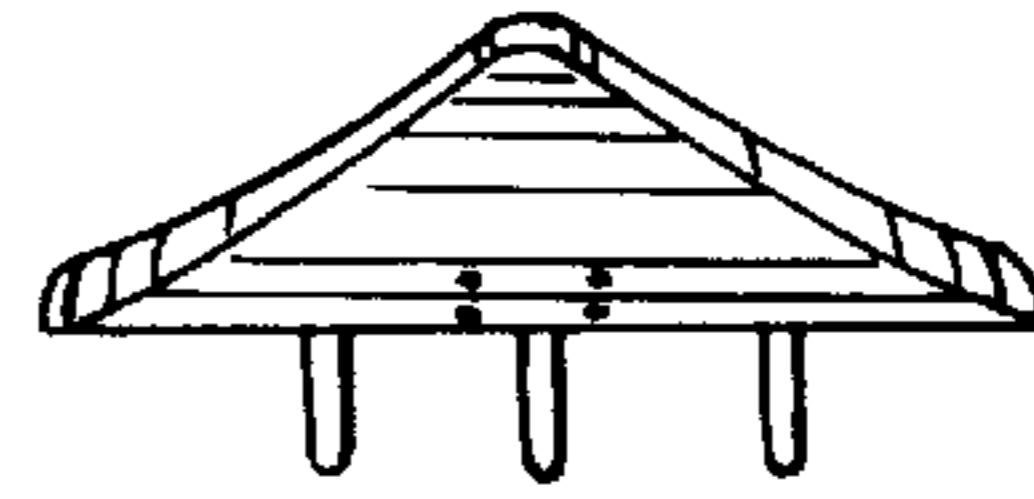


FIG. 9

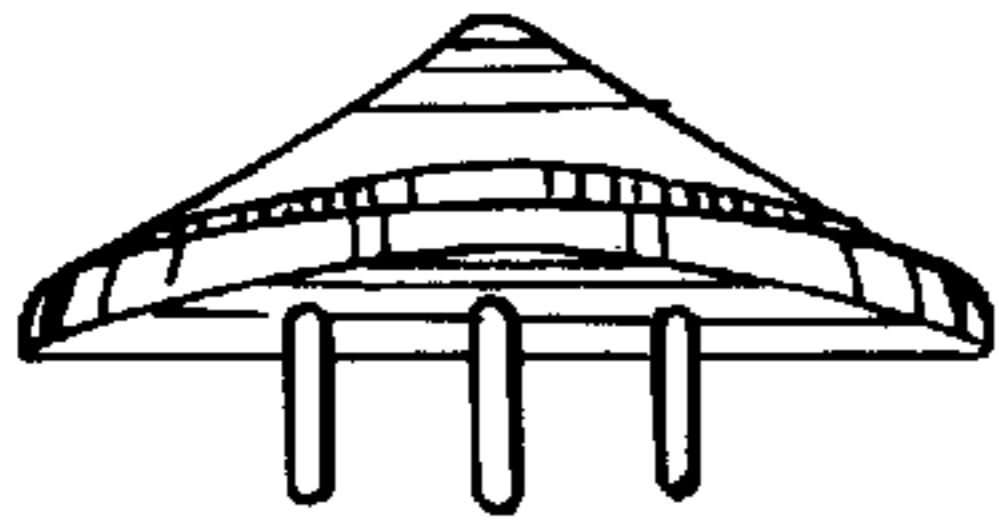


FIG. 10

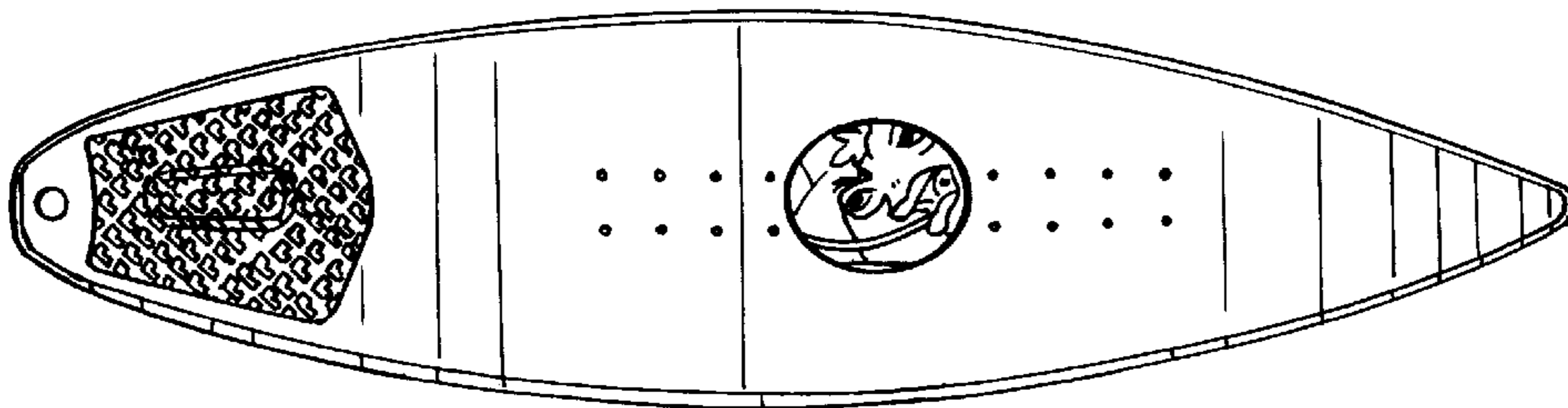


FIG. 11

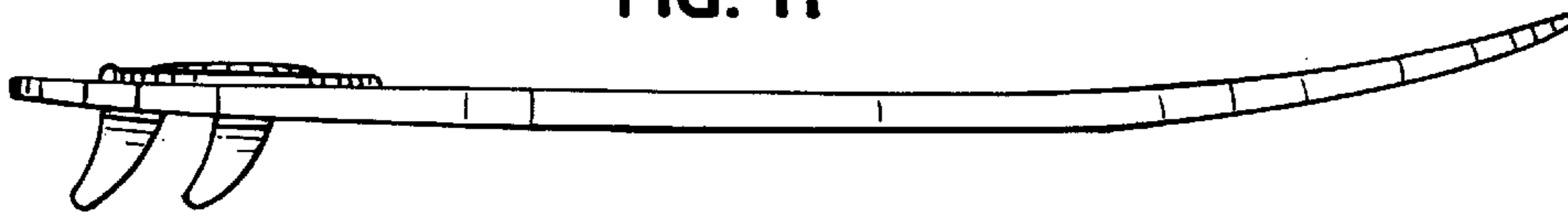


FIG. 12

