



US00D455185S

(12) **United States Design Patent**  
**Karadimas**

(10) **Patent No.:** **US D455,185 S**

(45) **Date of Patent:** **\*\* Apr. 2, 2002**

(54) **EXERCISER**

(76) **Inventor:** **Chris Karadimas**, 1830 Brown St.,  
Brooklyn, NY (US) 11229

(\*\*) **Term:** **14 Years**

(21) **Appl. No.:** **29/137,109**

(22) **Filed:** **Feb. 14, 2001**

(51) **LOC (7) Cl.** ..... **21-02**

(52) **U.S. Cl.** ..... **D21/692**

(58) **Field of Search** ..... D21/662, 692,  
D21/693; 482/121, 122, 123, 124, 125,  
126, 127, 148

(56) **References Cited**

**U.S. PATENT DOCUMENTS**

4,245,840	A	*	1/1981	Van Housen	.....	482/121
4,685,671	A	*	8/1987	Hagerman et al.	.....	482/129
4,955,608	A	*	9/1990	Dougherty et al.	.....	482/121
D347,667	S	*	6/1994	Giocalone et al.	.....	D21/692
D350,795	S	*	9/1994	Barbour	.....	D21/692

5,813,955	A	*	9/1998	Gutkowski et al.	.....	482/124
5,857,945	A	*	1/1999	Papp et al.	.....	482/124
5,993,362	A	*	11/1999	Ghobadi	.....	482/124
6,179,760	B1	*	1/2001	Rumbaugh	.....	482/121

\* cited by examiner

*Primary Examiner*—Philip S. Hyder

(74) *Attorney, Agent, or Firm*—Auslander & Thomas

(57) **CLAIM**

The ornamental design for an exerciser, as shown.

**DESCRIPTION**

FIG. 1 is a front elevation of the physical exerciser showing my new design;

FIG. 2 is a rear elevation thereof;

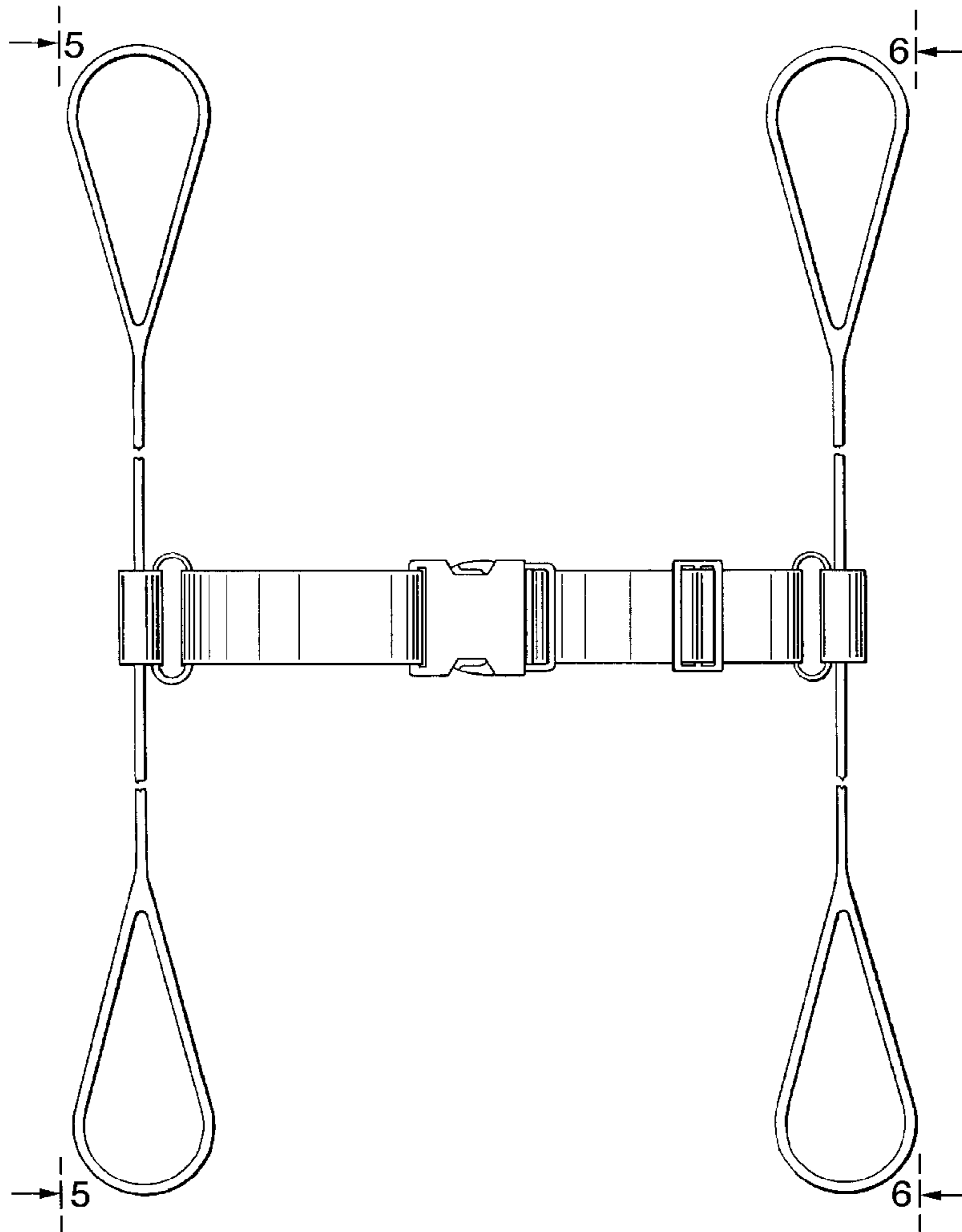
FIG. 3 is a top plan view thereof;

FIG. 4 is a bottom plan thereof;

FIG. 5 is a left side elevation thereof from lines 5—5 of FIG. 1; and,

FIG. 6 is a right side elevation from lines 6—6 of FIG. 1.

**1 Claim, 6 Drawing Sheets**



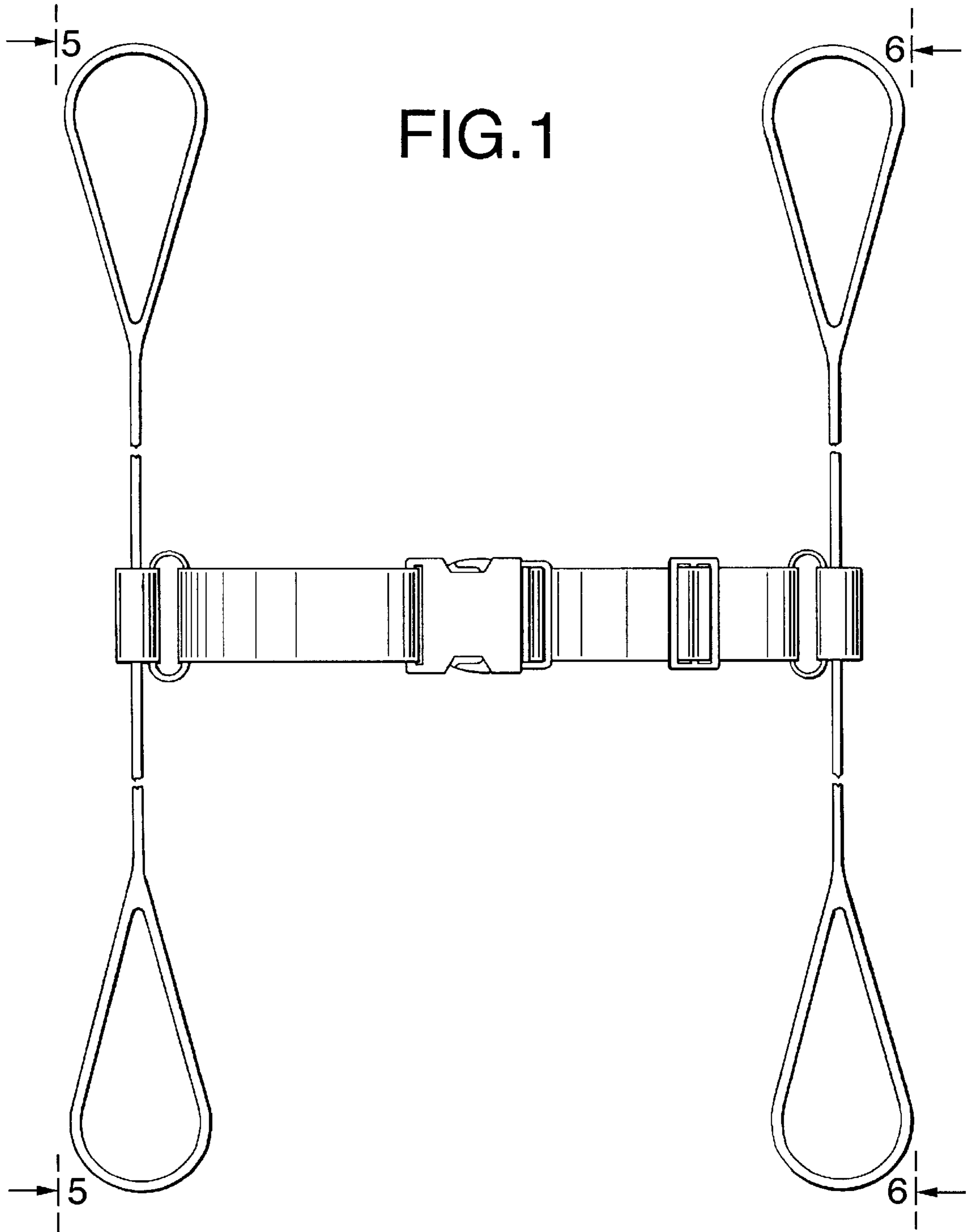


FIG.2

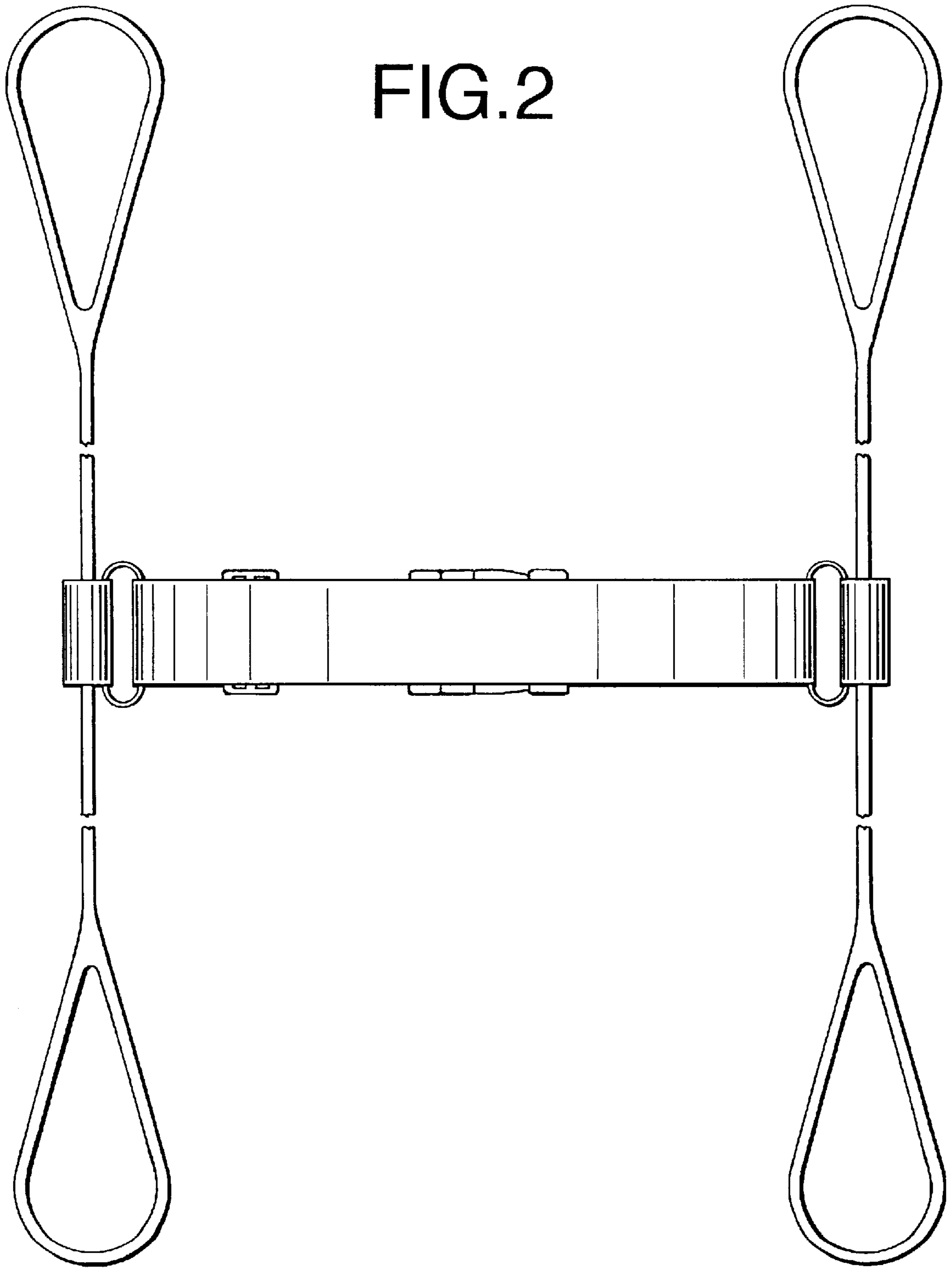


FIG.3

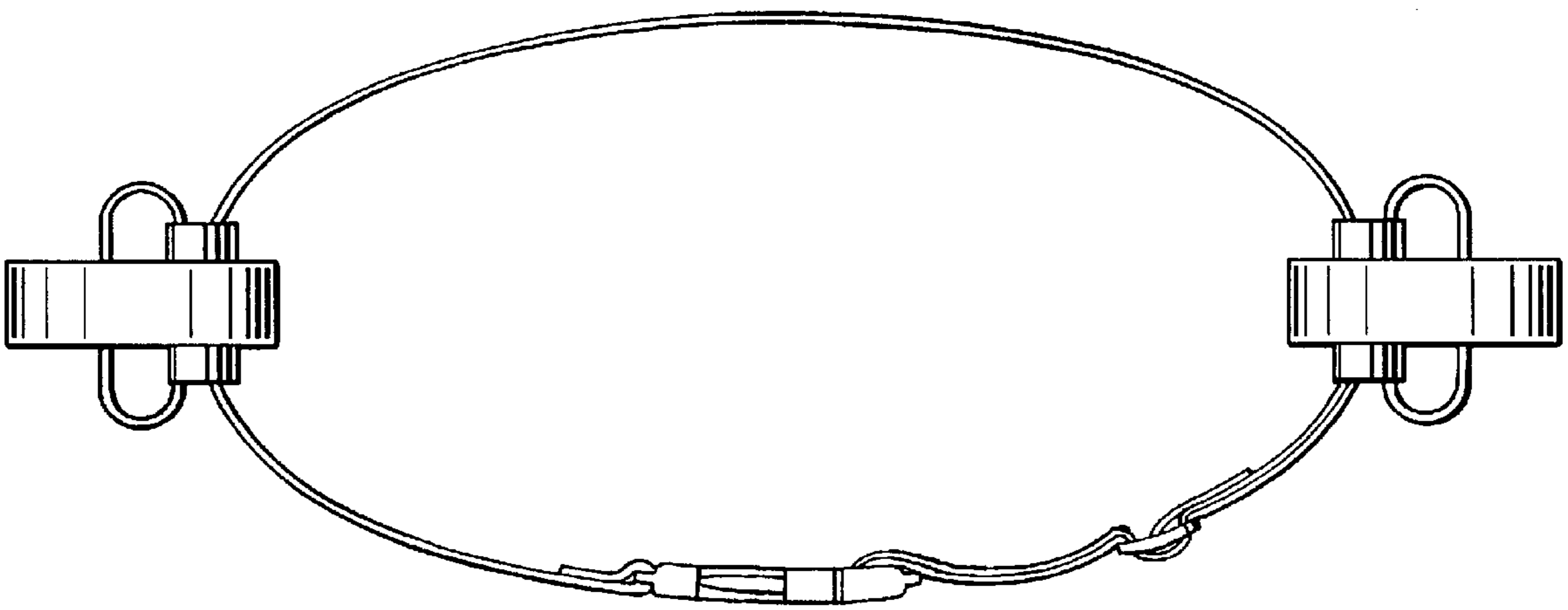


FIG.4

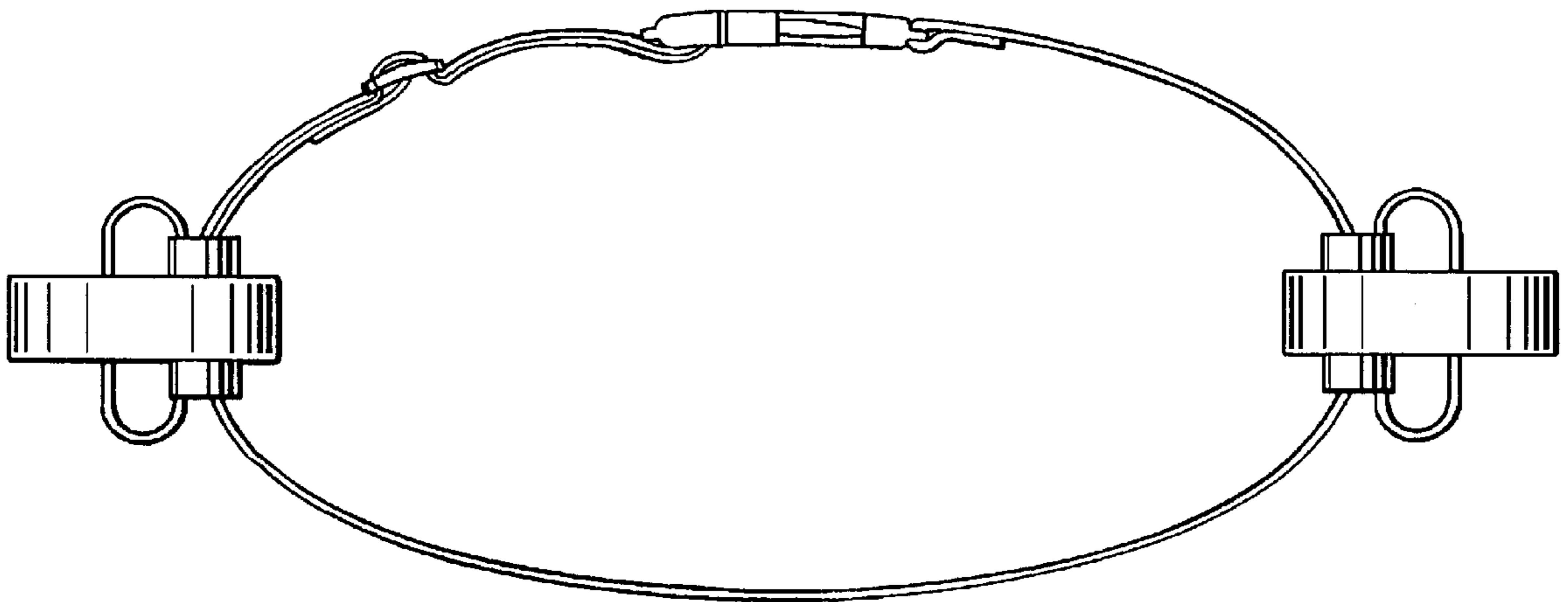
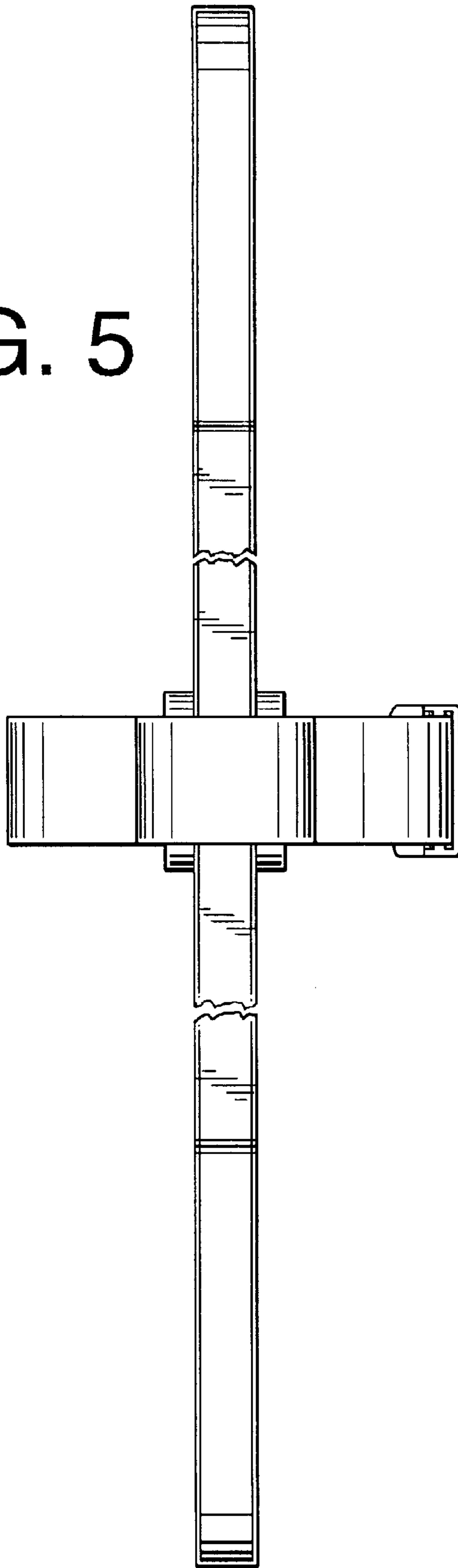


FIG. 5



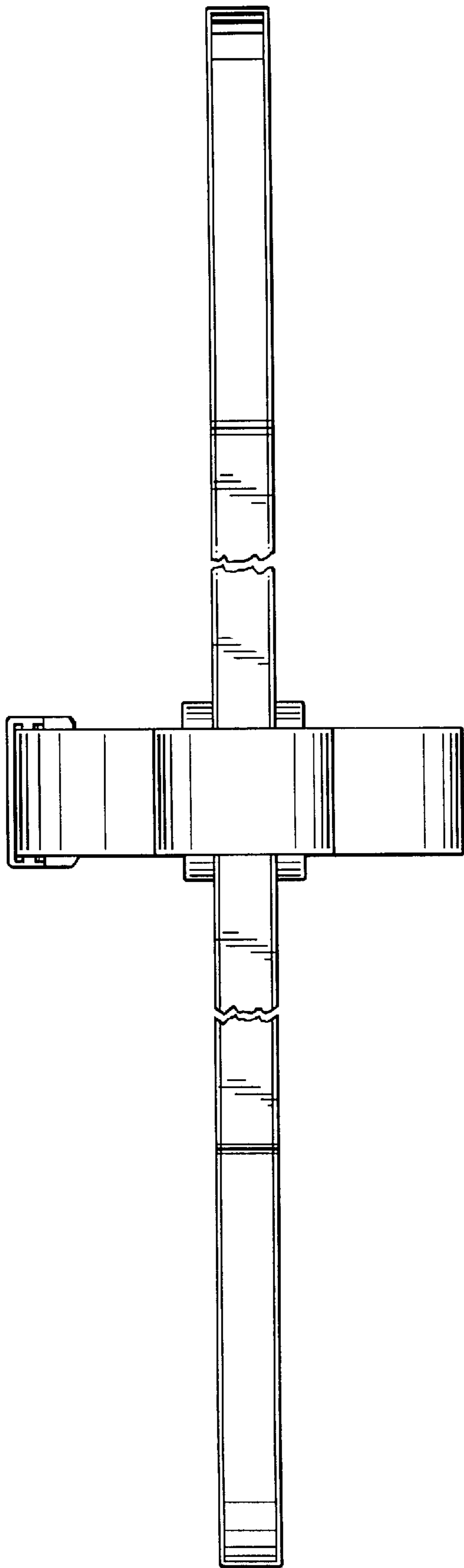


FIG. 6