

US00D455184S

(12) **United States Design Patent**  
**Webber**

(10) **Patent No.:** **US D455,184 S**

(45) **Date of Patent:** **\*\* Apr. 2, 2002**

(54) **MULTI-FUNCTION EXERCISE APPARATUS WITH ARTICULATING ARM**

(76) Inventor: **Randall T. Webber**, 100 Harbor Dr., #1404, San Diego, CA (US) 92101

(\*\*) Term: **14 Years**

(21) Appl. No.: **29/135,850**

(22) Filed: **Jan. 19, 2001**

(51) **LOC (7) Cl.** ..... **21-02**

(52) **U.S. Cl.** ..... **D21/675; D21/676**

(58) **Field of Search** ..... D21/662, 673, D21/675, 676; 482/93, 94, 97, 98, 99, 100, 133, 134, 135, 138

(56) **References Cited**

**U.S. PATENT DOCUMENTS**

4,354,675	A	*	10/1982	Barclay	.....	482/138
4,390,179	A	*	6/1983	Szkalak	.....	482/138
D321,024	S	*	10/1991	Brentham	.....	D21/676
5,263,915	A	*	11/1993	Habing	.....	482/99
5,417,633	A	*	5/1995	Habing	.....	482/97
D370,039	S	*	5/1996	May et al.	.....	D21/675
D370,040	S	*	5/1996	Habing et al.	.....	D21/675
5,514,060	A	*	5/1996	Hu	.....	482/136
5,779,601	A	*	7/1998	Ish, III	.....	482/100
D439,941	S	*	4/2001	Batca et al.	.....	D21/675
D440,609	S	*	4/2001	Batca et al.	.....	D21/675
D440,611	S	*	4/2001	Batca et al.	.....	D21/675

**OTHER PUBLICATIONS**

Hoist 2001, Hoist Fitness Brochure, 1996.  
Parabody 950, Parabody Brochure, 1997.  
Body Solid Brochure, 1998.

Dual Stack / Tri Station Power Gym, M2000, Everyyoung Brochure, 1998.

Life Fitness 8500 3 Stack, Life Fitness Brochure, 1998.

Tuff Stuff Apollo 250, Date Unknown.

\* cited by examiner

*Primary Examiner*—Philip S. Hyder

(74) *Attorney, Agent, or Firm*—Brown, Martin, Haller & McClain LLP

(57) **CLAIM**

The ornamental design for a multi-function exercise apparatus with articulating arm, as shown.

**DESCRIPTION**

FIG. 1 is a left front perspective view of a multi-function exercise apparatus with articulating arm showing my new design;

FIG. 2 is a right front perspective view thereof;

FIG. 3 is a left rear perspective view thereof;

FIG. 4 is a top plan view thereof;

FIG. 5 is a front view thereof;

FIG. 6 is right side elevational view thereof;

FIG. 7 is a left side elevational view thereof;

FIG. 8 is rear view thereof;

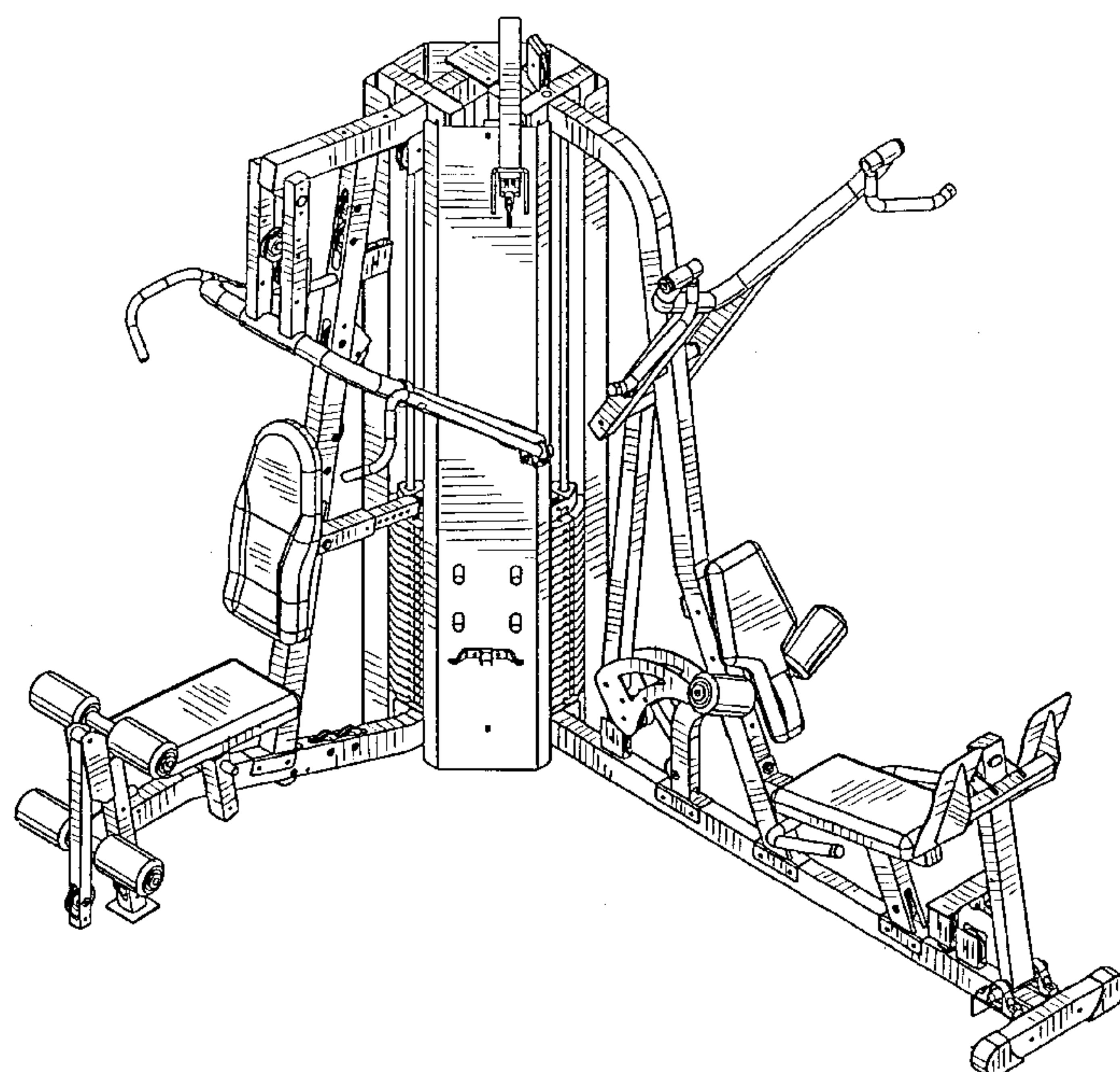
FIG. 9 is view similar to FIG. 1, with the weight covers removed;

FIG. 10 is a view similar to FIG. 2, with the weight covers removed;

FIG. 11 is a view similar to FIG. 3, with the weight covers removed; and,

FIG. 12 is a view similar to FIG. 6, with the weight covers removed.

**1 Claim, 6 Drawing Sheets**



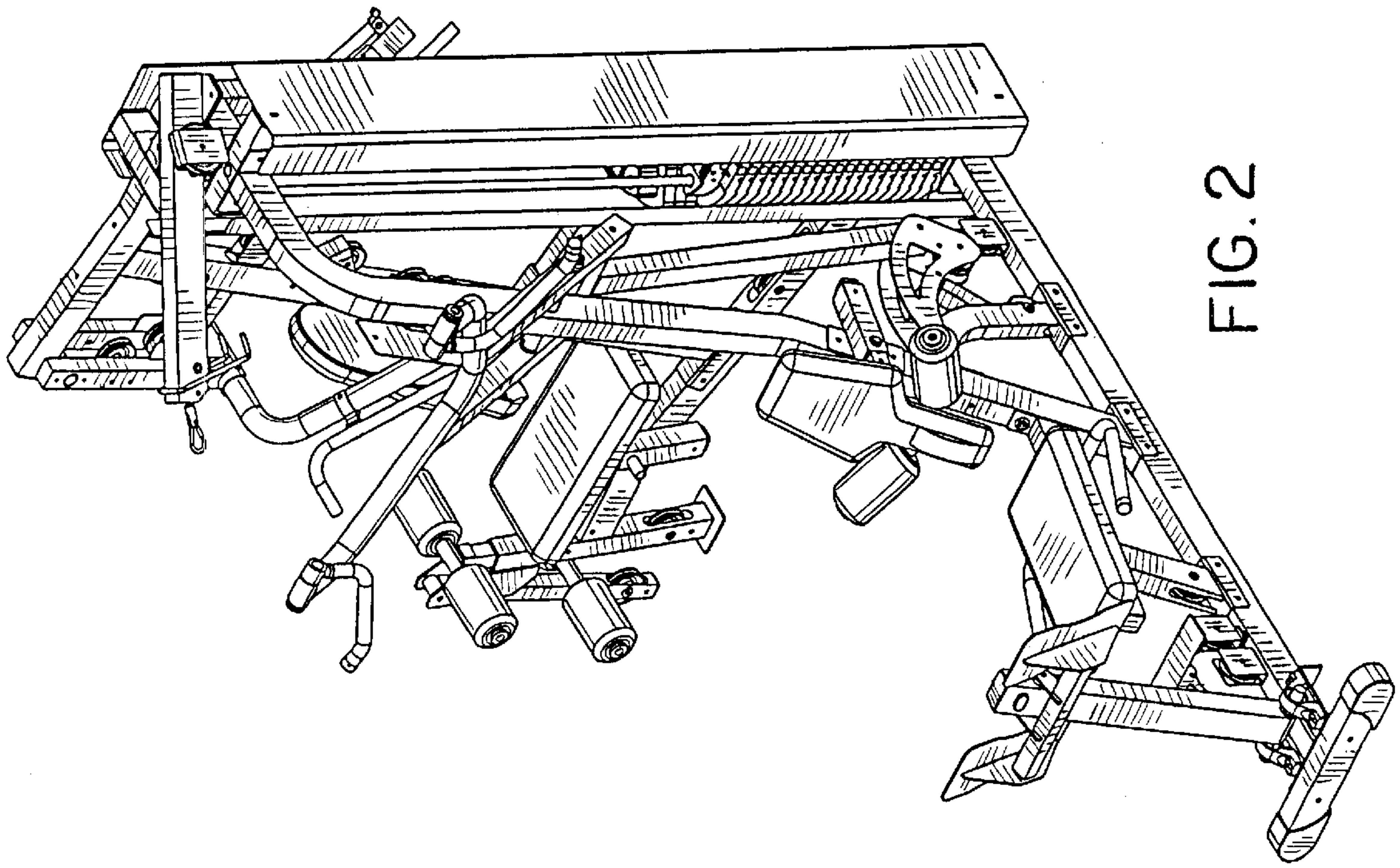


FIG. 2

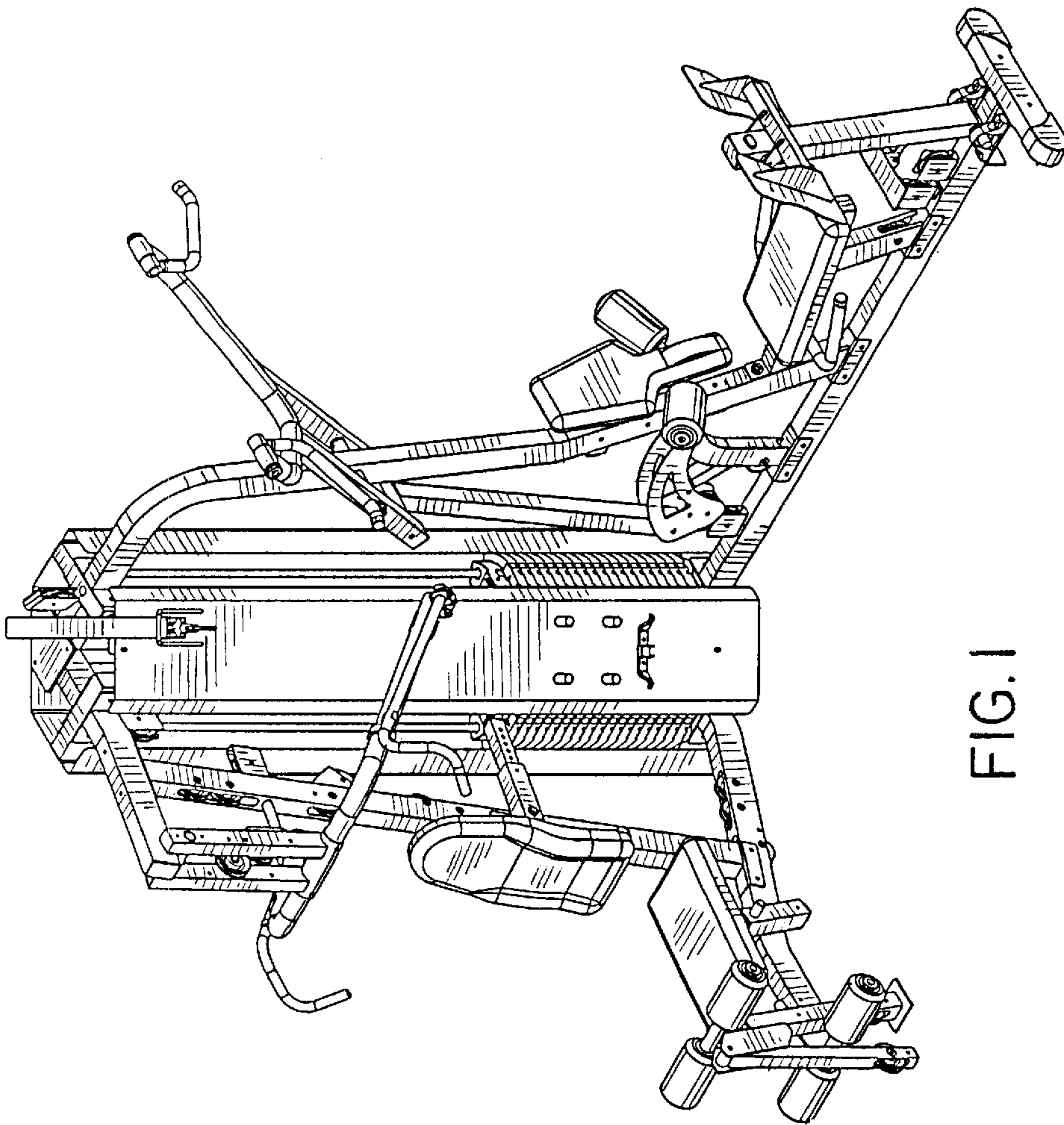


FIG. 1



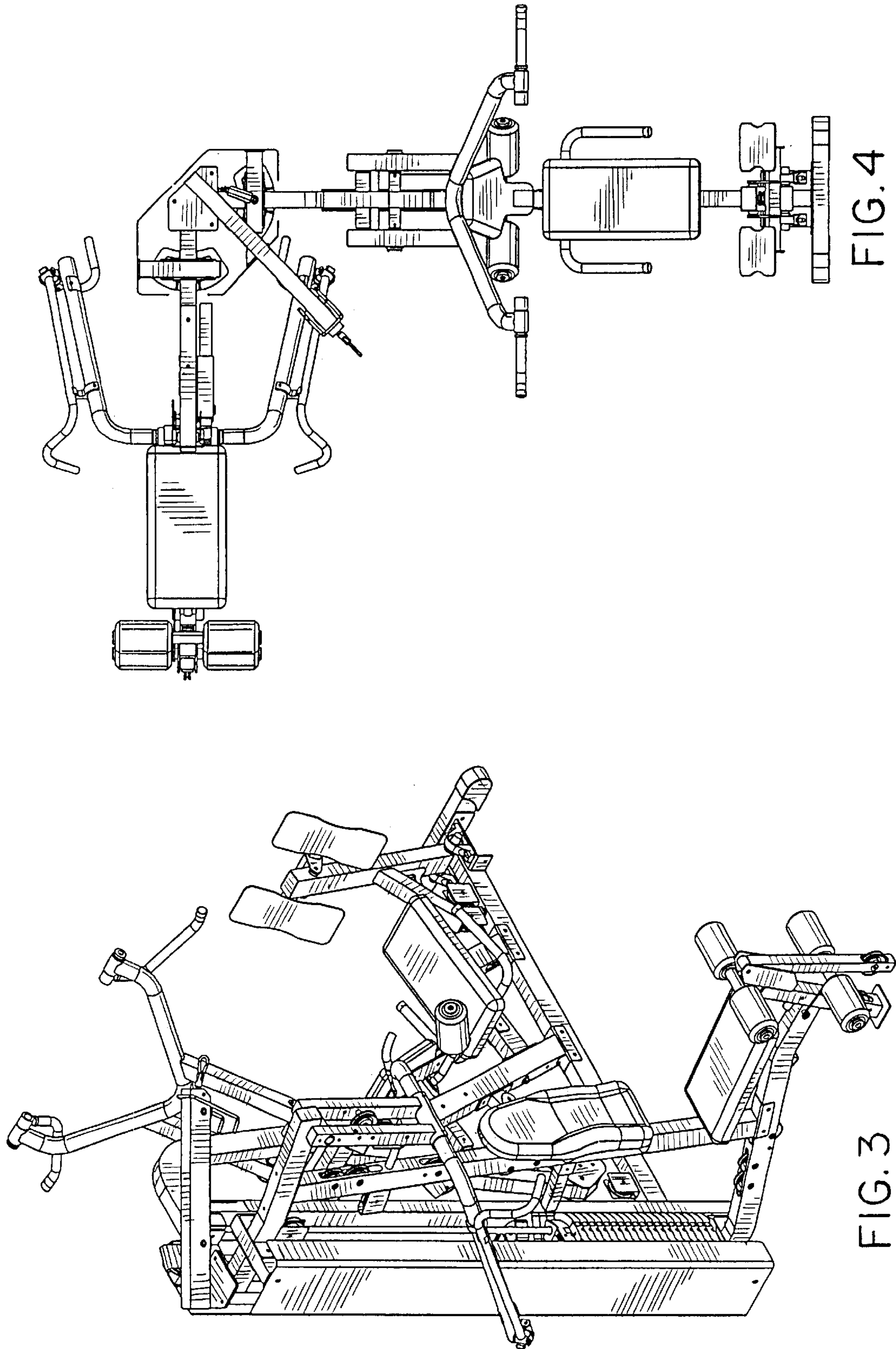


FIG. 4

FIG. 3

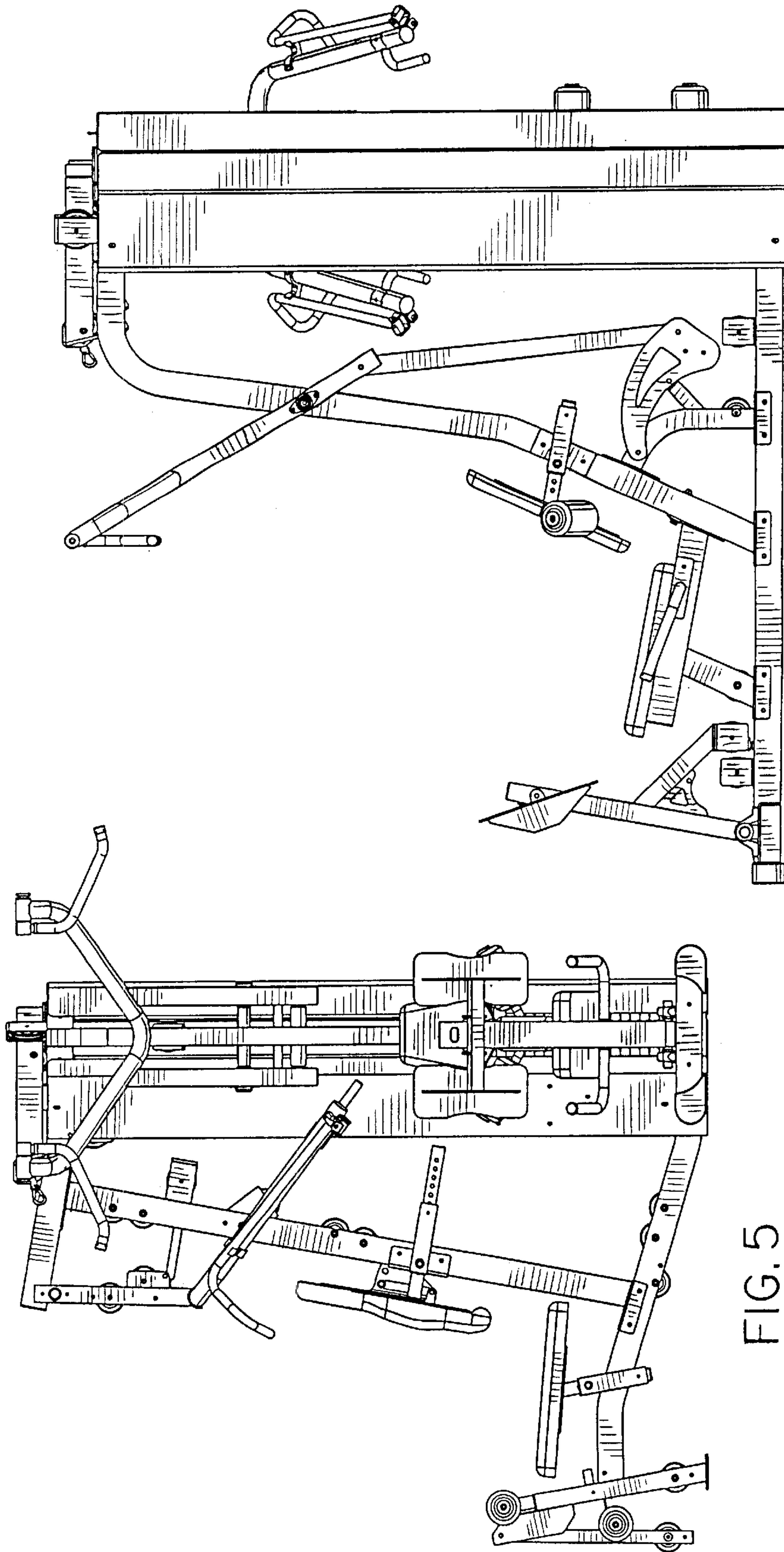


FIG. 5

FIG. 6

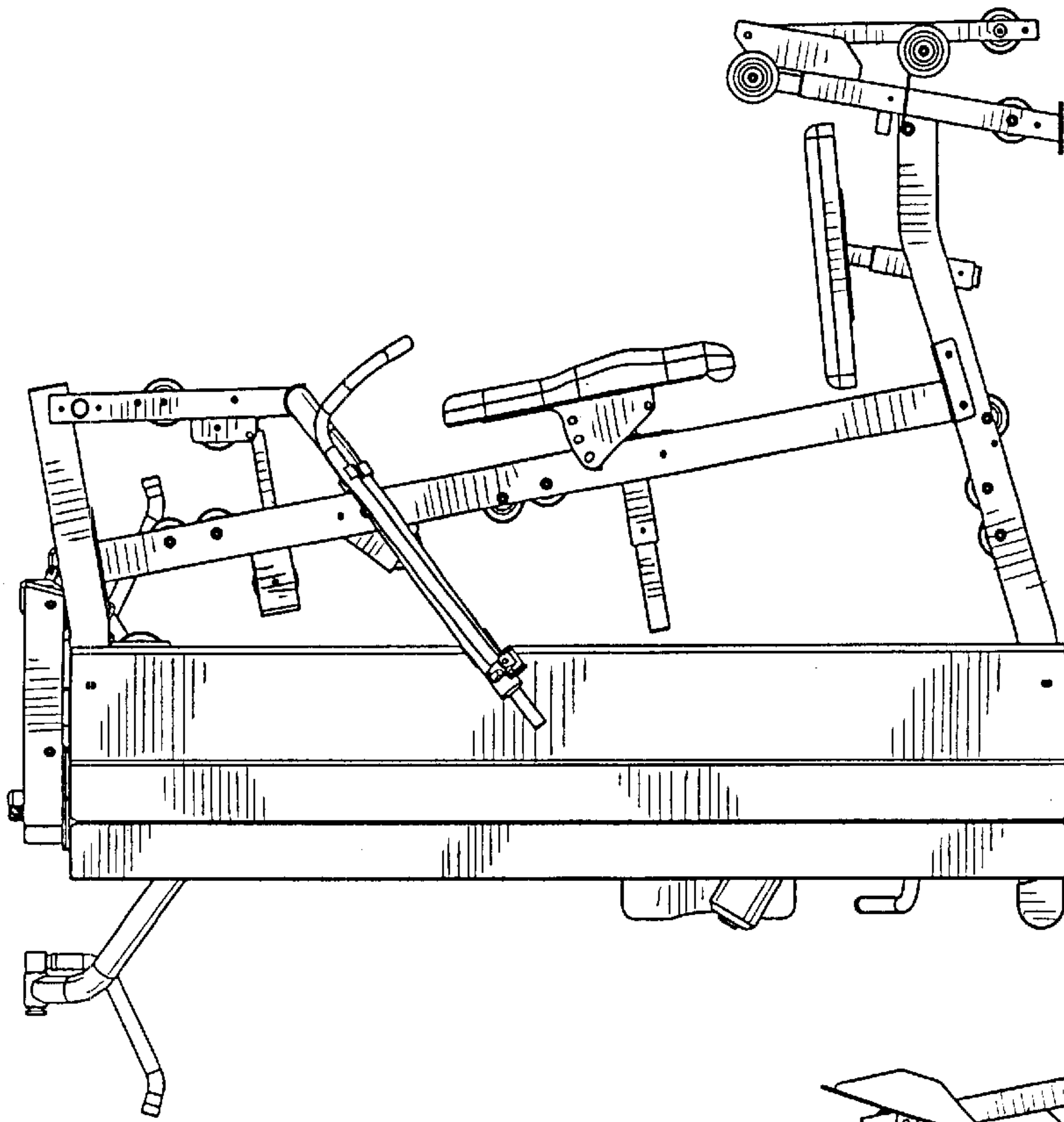


FIG. 8

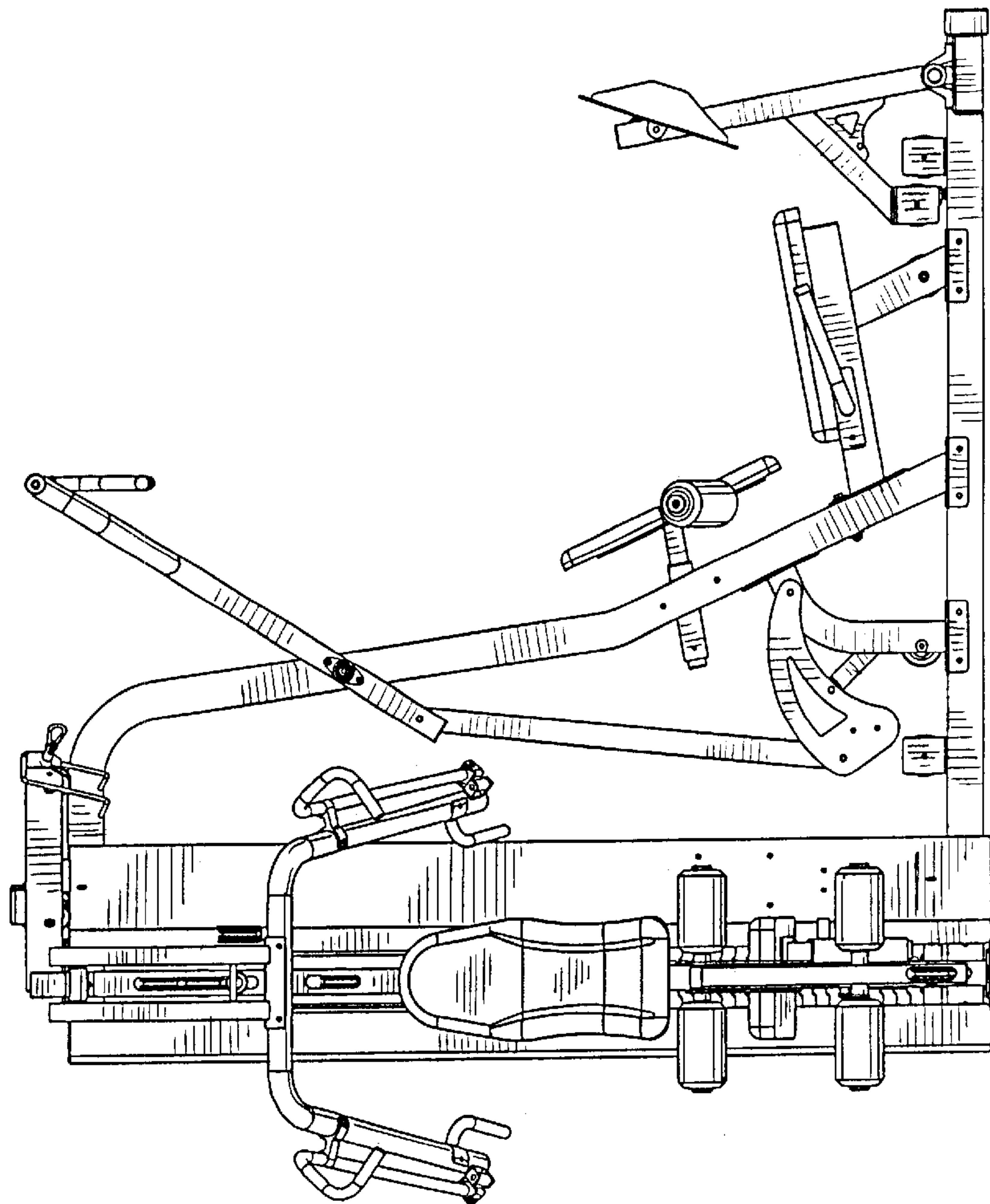


FIG. 7



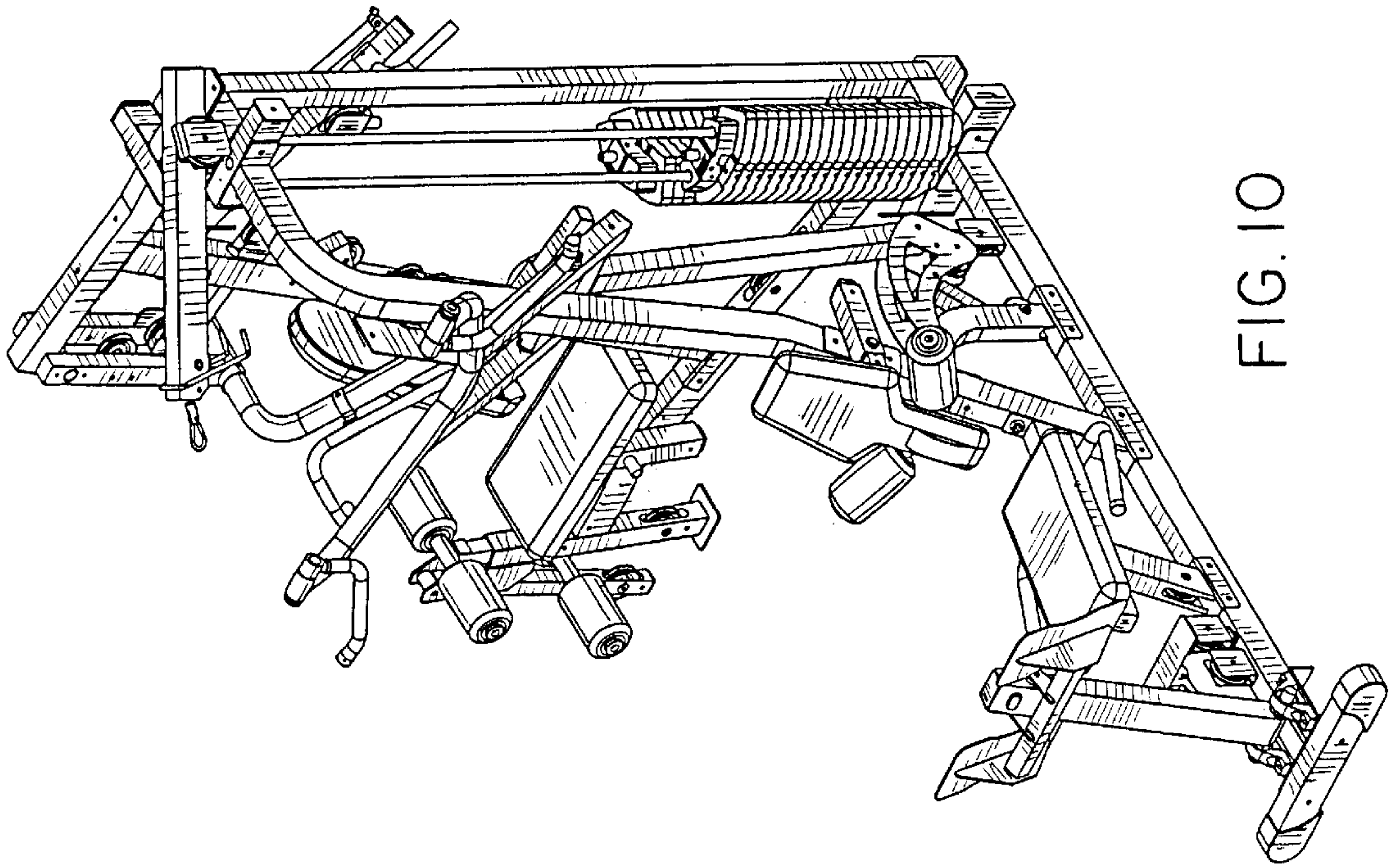


FIG. 10

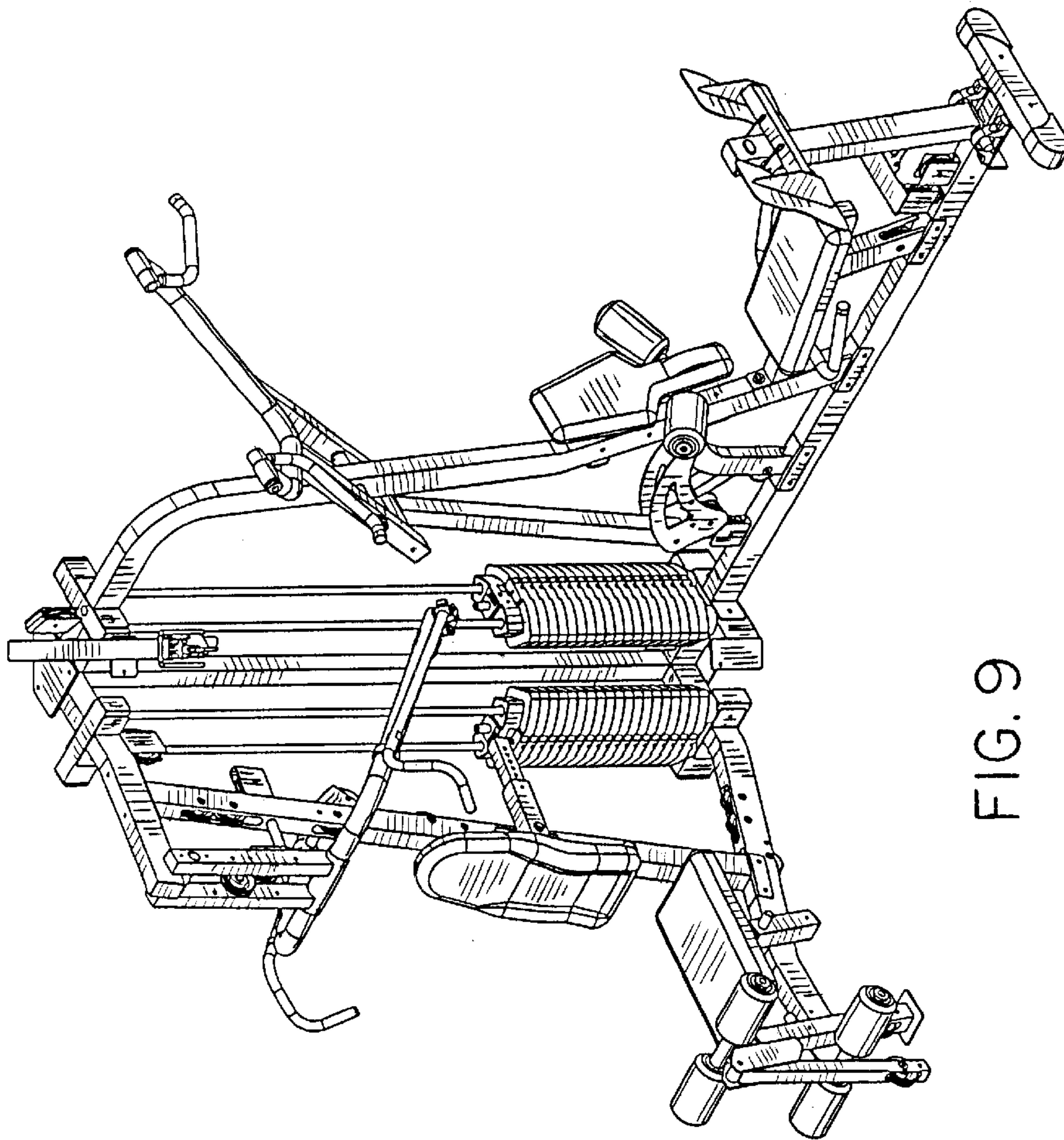


FIG. 9

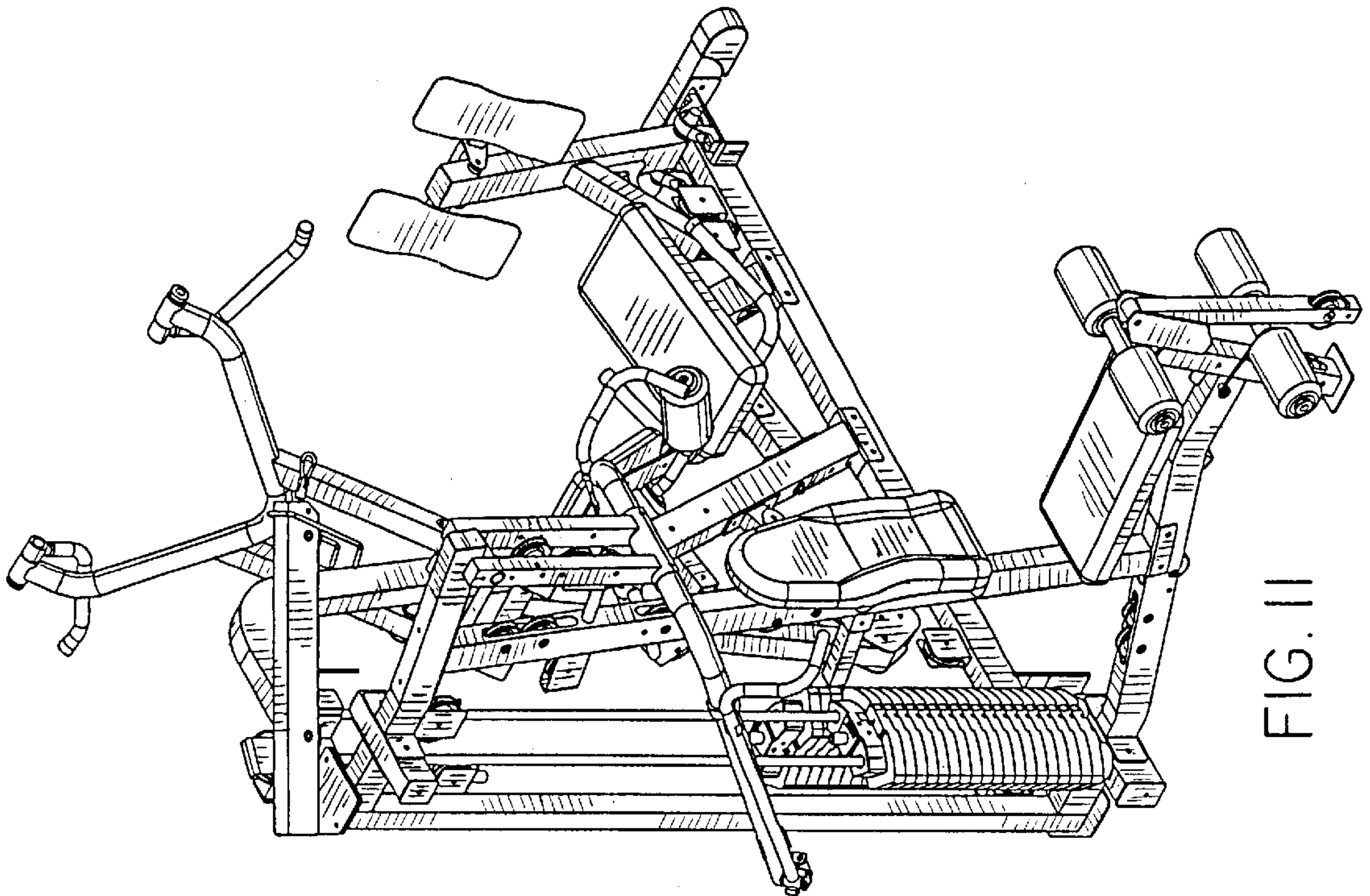


FIG. 11

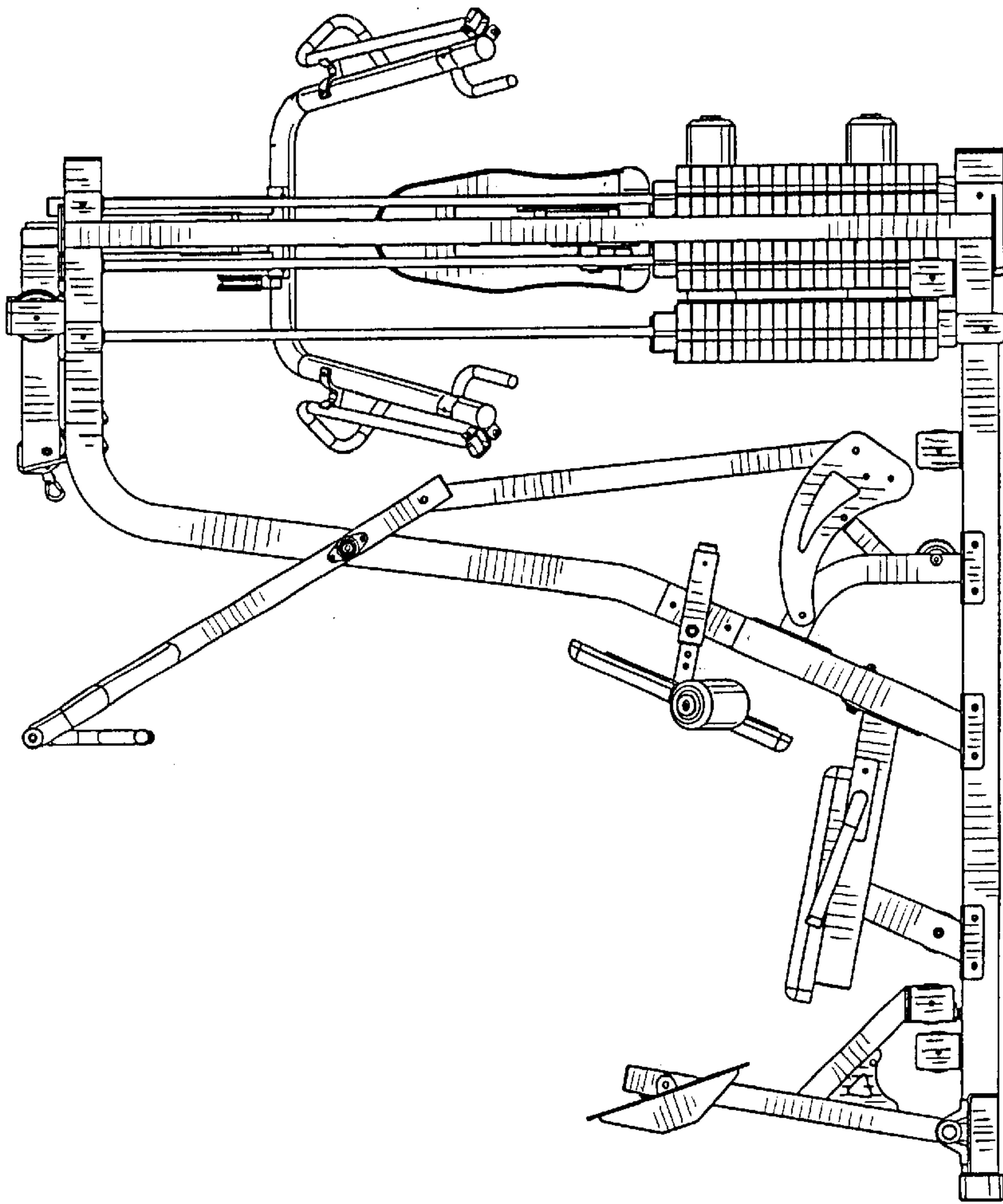


FIG. 12