



US00D455180S

(12) **United States Design Patent**  
**Hasegawa**

(10) **Patent No.:** **US D455,180 S**

(45) **Date of Patent:** **\*\* Apr. 2, 2002**

(54) **CAP FOR A WRITING INSTRUMENT**

(75) Inventor: **Tsuyoshi Hasegawa**, Tokyo (JP)

(73) Assignee: **Tombow Pencil, Co., Ltd.**, Tokyo (JP)

(\*\*) Term: **14 Years**

|    |        |         |
|----|--------|---------|
| JP | 505444 | 6/1954  |
| JP | 531595 | 5/1955  |
| JP | 543233 | 10/1955 |
| JP | 602961 | 6/1983  |
| JP | 664660 | 11/1985 |
| JP | 664711 | 11/1985 |

(List continued on next page.)

(21) Appl. No.: **29/134,238**

(22) Filed: **Dec. 15, 2000**

(30) **Foreign Application Priority Data**

|              |      |       |            |
|--------------|------|-------|------------|
| Apr. 7, 2000 | (JP) | ..... | 2000-18161 |
| Apr. 7, 2000 | (JP) | ..... | 2000-18162 |

(51) **LOC (7) Cl.** ..... **19-06**

(52) **U.S. Cl.** ..... **D19/57; D19/56**

(58) **Field of Search** ..... D19/35, 36, 41-51,  
D19/53-58, 81-85; 401/202, 262, 98, 243-247,  
57, 213

(56) **References Cited**

**U.S. PATENT DOCUMENTS**

|             |   |         |                  |       |         |
|-------------|---|---------|------------------|-------|---------|
| D318,294 S  | * | 7/1991  | Cho-Kai          | ..... | D19/48  |
| D385,916 S  | * | 11/1997 | Katami           | ..... | D19/48  |
| D400,581 S  |   | 11/1998 | Hasegawa         | ..... | D19/51  |
| D404,069 S  |   | 1/1999  | Hasegawa         | ..... | D19/36  |
| D404,070 S  |   | 1/1999  | Hasegawa         | ..... | D19/51  |
| D404,425 S  |   | 1/1999  | Suzuki           | ..... | D19/43  |
| D408,450 S  |   | 4/1999  | Kamei            | ..... | D19/55  |
| D409,659 S  |   | 5/1999  | Hasegawa         | ..... | D19/51  |
| 5,941,650 A | * | 8/1999  | Fukai et al.     | ..... | 401/202 |
| D416,940 S  | * | 11/1999 | Ito              | ..... | D19/48  |
| 5,984,550 A | * | 11/1999 | Chuang           | ..... | 401/57  |
| D421,625 S  | * | 3/2000  | Oka              | ..... | D19/49  |
| D437,886 S  | * | 2/2001  | Pellissa Beneyto | ..... | D19/43  |

**FOREIGN PATENT DOCUMENTS**

JP 483264 9/1953

**OTHER PUBLICATIONS**

Hasegawa, co-pending, commonly assigned and concurrently filed U.S. Patent Application entitled "Writing Instrument," having Ser. No. 29/134,239, in its entirety.

*Primary Examiner*—Martie K. Holtje

(74) *Attorney, Agent, or Firm*—Butler, Snow, O'Mara, Stevens, & Cannada, PLLC

(57) **CLAIM**

The ornamental design for a cap for a writing instrument, as shown and described.

**DESCRIPTION**

This application is related to co-pending, commonly assigned and concurrently filed U.S. Design patent application entitled: "Writing Instrument," having application Ser. No. 29/134,239.

FIG. 1 is a perspective view of a cap for a writing instrument showing my new design;

FIG. 2 is a front view of FIG. 1;

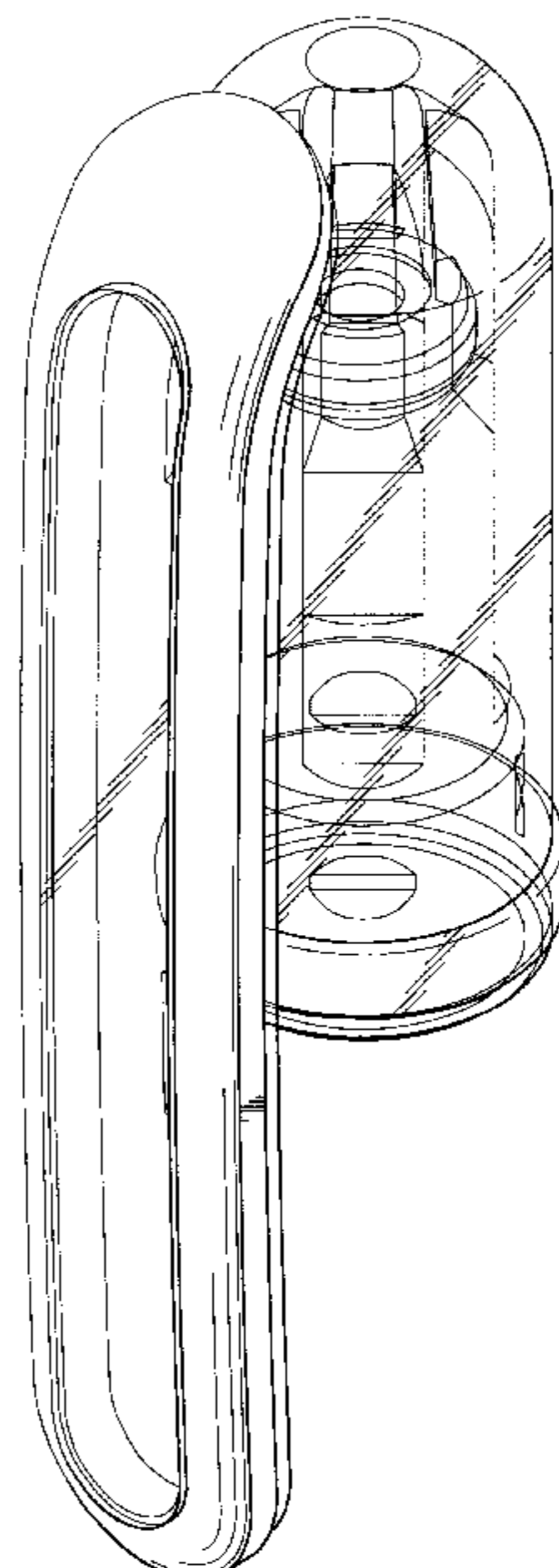
FIG. 3 is a right-side view of FIG. 1, the left-side view being a mirror image thereof;

FIG. 4 is a rear view of FIG. 1;

FIG. 5 is a top view of FIG. 1; and,

FIG. 6 is a bottom view of FIG. 1.

**1 Claim, 3 Drawing Sheets**



# US D455,180 S

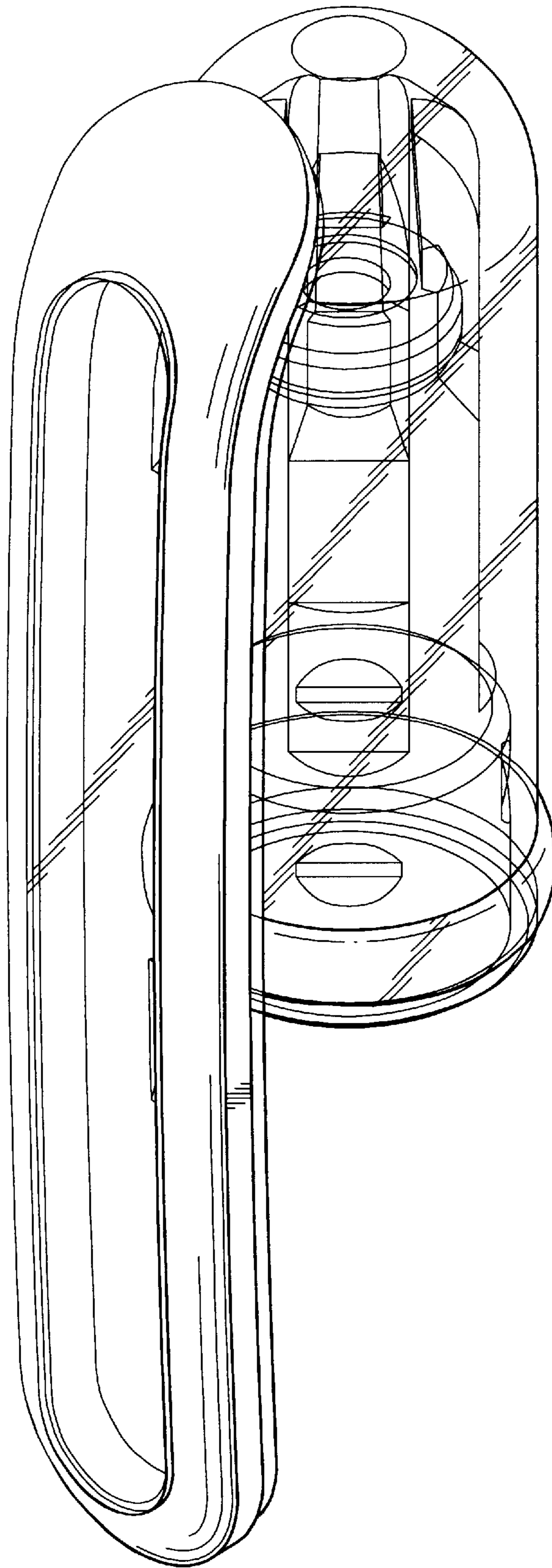
Page 2

---

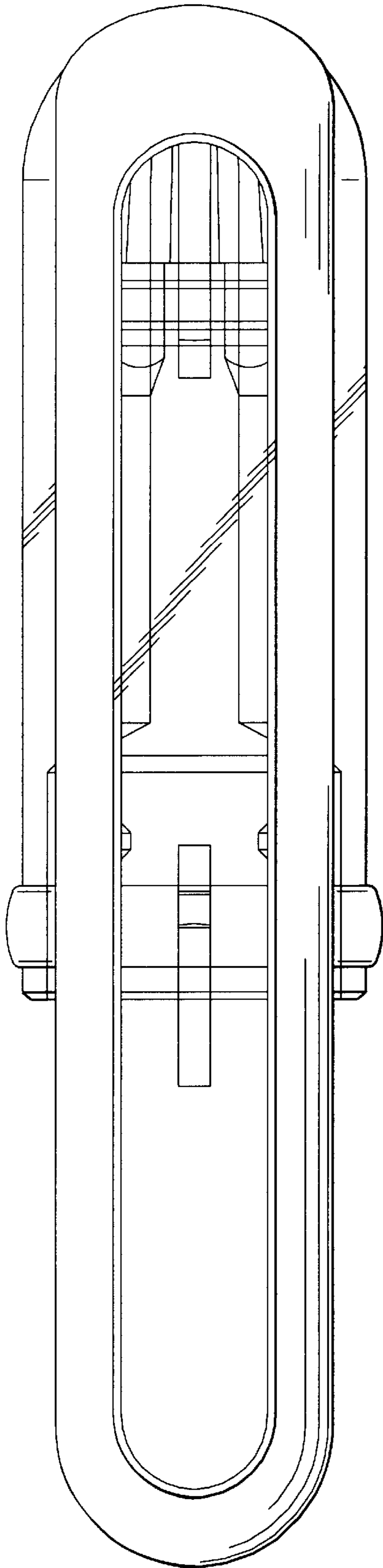
## FOREIGN PATENT DOCUMENTS

|    |        |         |    |         |         |
|----|--------|---------|----|---------|---------|
| JP | 672668 | 2/1986  | JP | 950258  | 4/1996  |
| JP | 676258 | 4/1986  | JP | 950379  | 4/1996  |
| JP | 706336 | 5/1987  | JP | 950508  | 4/1996  |
| JP | 707108 | 6/1987  | JP | 951091  | 4/1996  |
| JP | 708035 | 6/1987  | JP | 951110  | 4/1996  |
| JP | 709110 | 7/1987  | JP | 967642  | 10/1996 |
| JP | 716209 | 10/1987 | JP | 987293  | 8/1997  |
| JP | 717610 | 11/1987 | JP | 987496  | 8/1997  |
| JP | 723465 | 1/1988  | JP | 989042  | 9/1997  |
| JP | 723466 | 1/1988  | JP | 1016070 | 7/1998  |
| JP | 724892 | 2/1988  | JP | 1016593 | 7/1998  |
| JP | 724893 | 2/1988  | JP | 1017941 | 8/1998  |
| JP | 727943 | 3/1988  | JP | 1018250 | 8/1998  |
| JP | 757626 | 3/1989  | JP | 1024484 | 11/1998 |
| JP | 758600 | 3/1989  | JP | 1028250 | 12/1998 |
| JP | 759281 | 4/1989  | JP | 1031483 | 2/1999  |
| JP | 792713 | 7/1990  | JP | 1031513 | 2/1999  |
| JP | 805918 | 1/1991  | JP | 1031530 | 2/1999  |
| JP | 836807 | 5/1992  | JP | 1031532 | 2/1999  |
| JP | 917376 | 1/1995  | JP | 1031568 | 2/1999  |
| JP | 948781 | 3/1996  | JP | 1031575 | 2/1999  |
| JP | 948790 | 3/1996  |    |         |         |

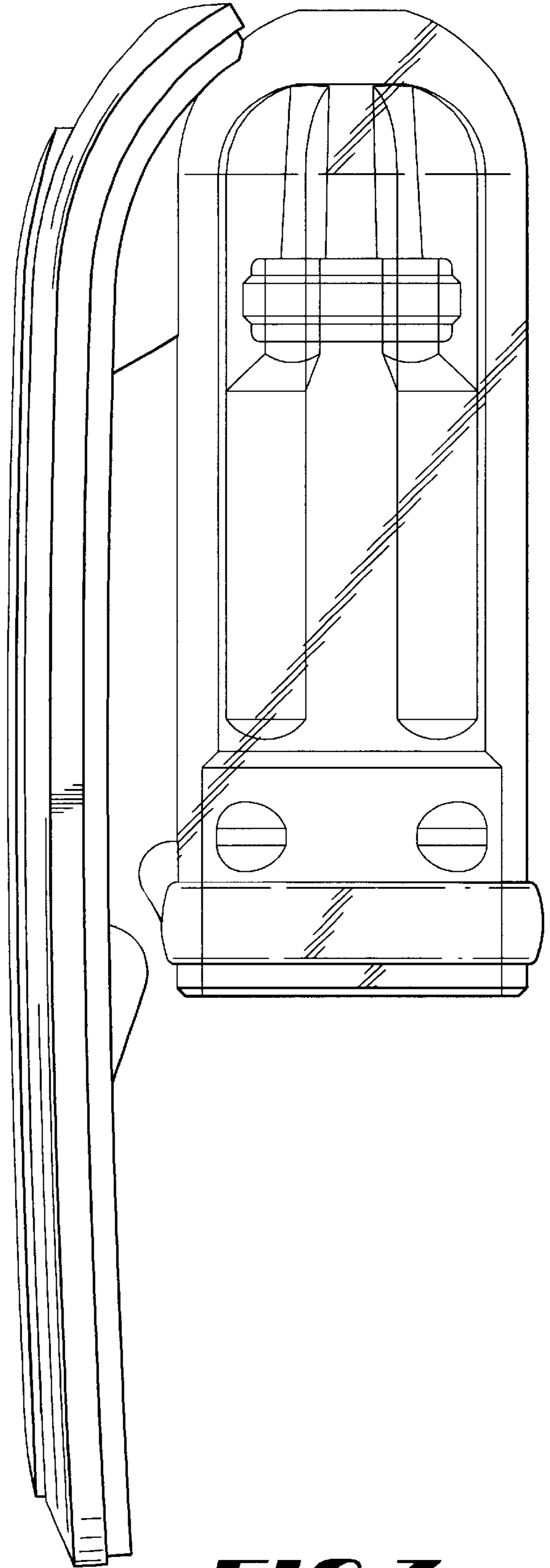
\* cited by examiner



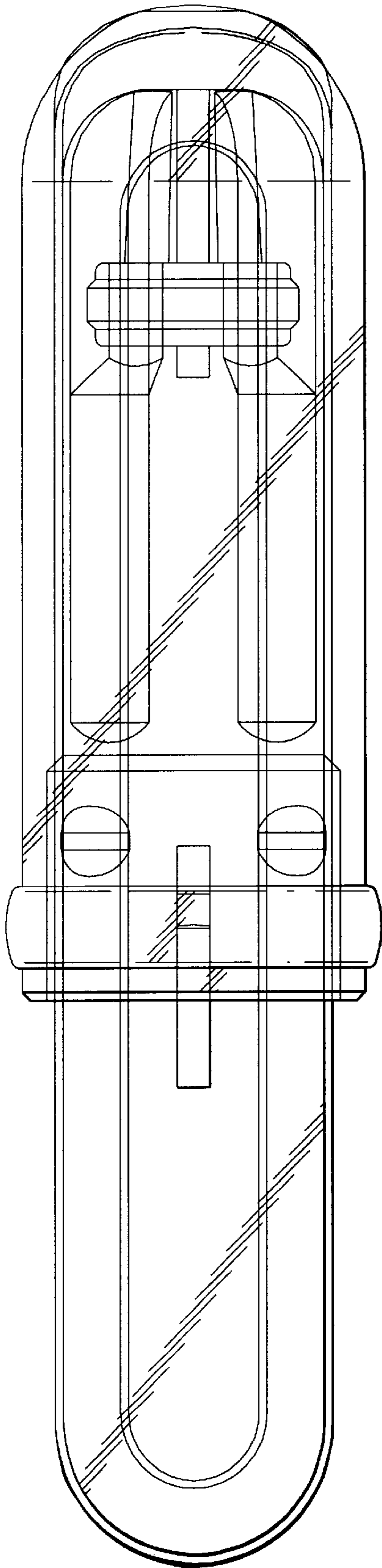
**FIG 1**



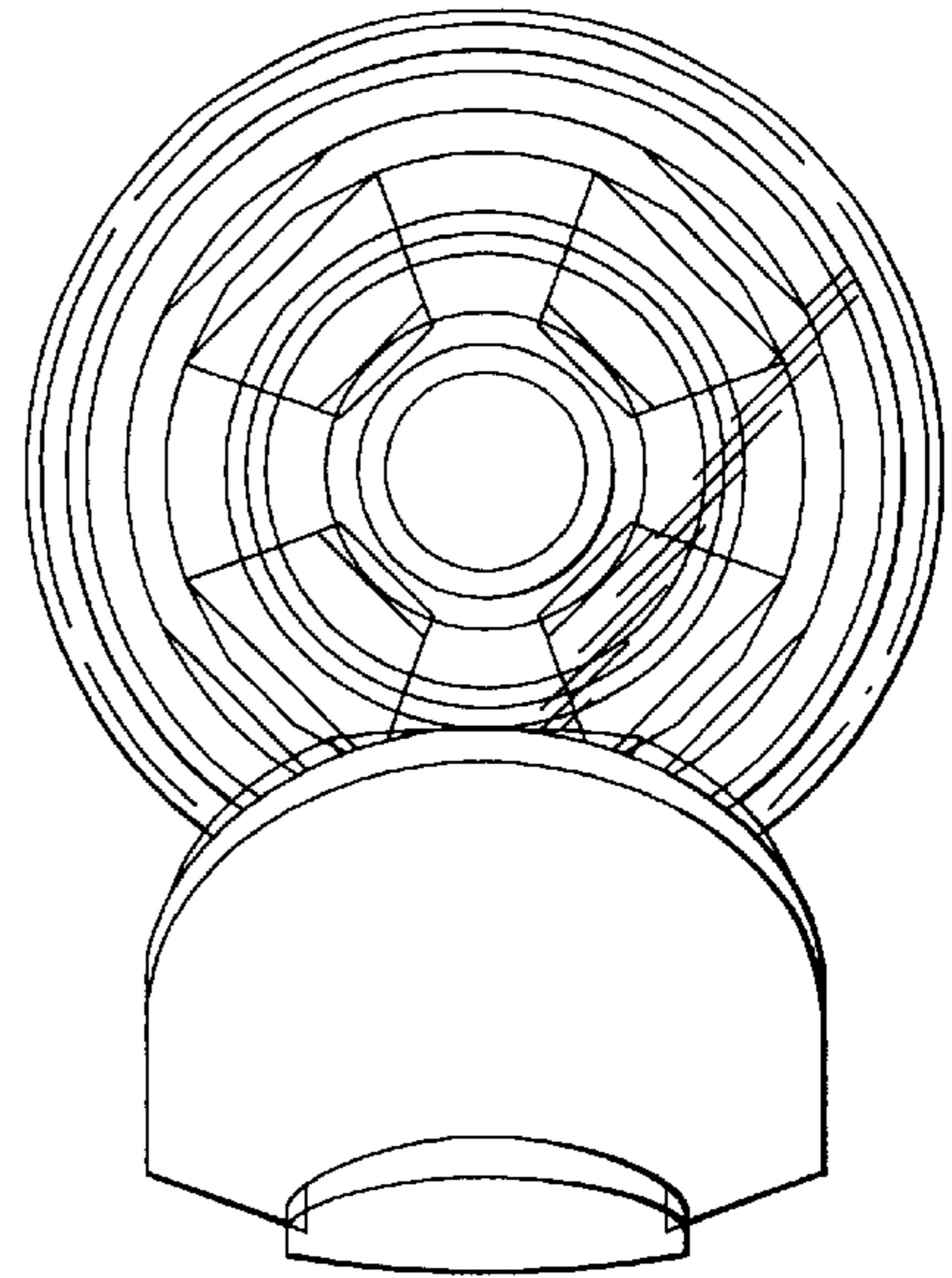
**FIG 2**



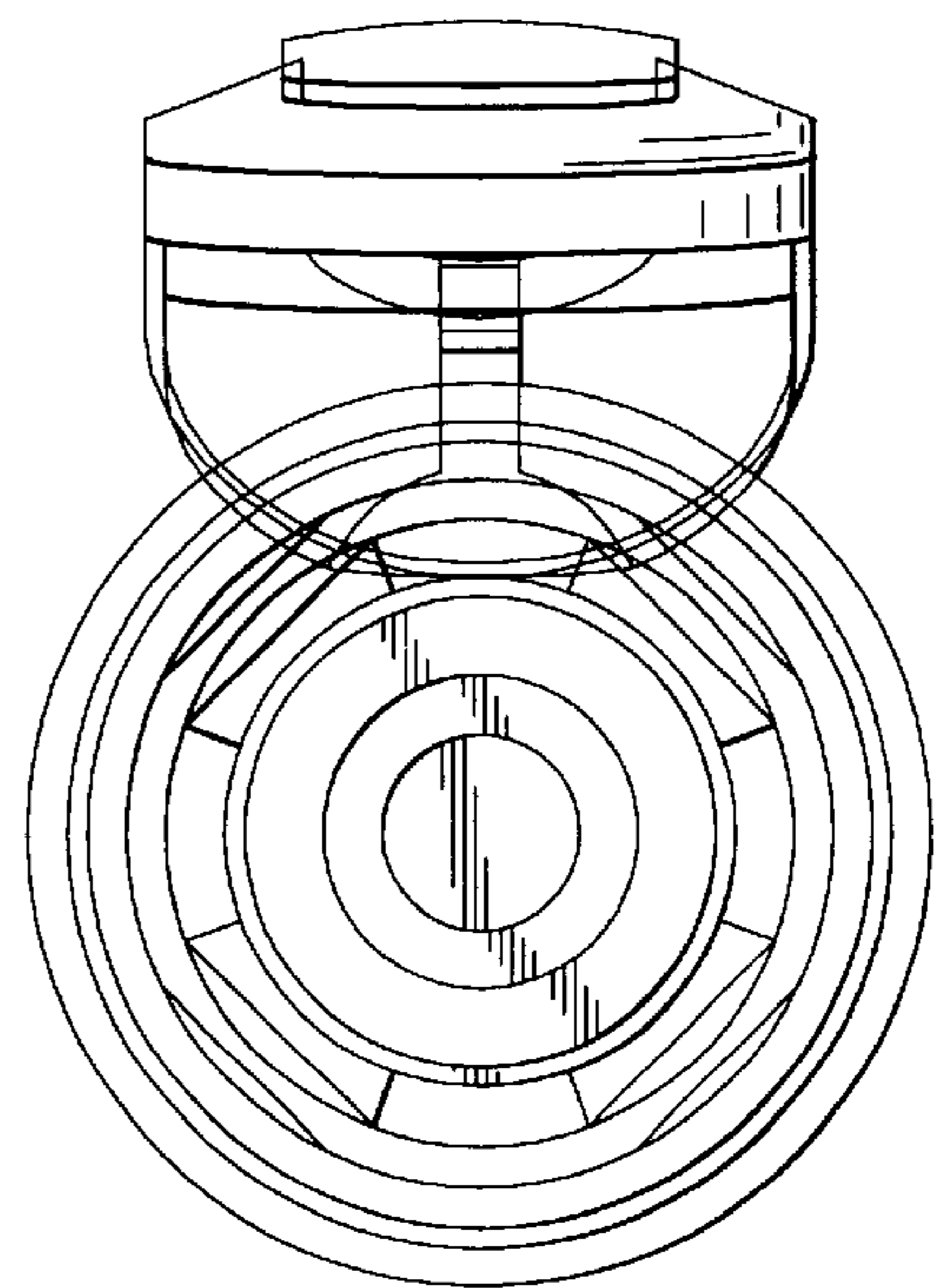
**FIG 3**



**FIG 4**



**FIG 5**



**FIG 6**