



US00D455172S

(12) **United States Design Patent**
Falk et al.

(10) **Patent No.:** **US D455,172 S**

(45) **Date of Patent:** **** Apr. 2, 2002**

(54) **DOCUMENT PRINTER**

(75) Inventors: **Kevin Lloyd Falk**, Boise, ID (US);
Carlos Garnier Ortiz; Claudia Santillan Figueroa, both of Guadalajara (MX); **Angelo Michael LaBarbera**, Eagle, ID (US)

(73) Assignee: **Hewlett-Packard Company**, Palo Alto, CA (US)

(**) Term: **14 Years**

(21) Appl. No.: **29/141,051**

(22) Filed: **Apr. 27, 2001**

(51) **LOC (7) Cl.** **14-02**

(52) **U.S. Cl.** **D18/55**

(58) **Field of Search** D18/50, 54-55,
D18/36-38; 400/613, 613.1-613.4, 690.1-690.4,
691-694

(56) **References Cited**

U.S. PATENT DOCUMENTS

D313,613 S * 1/1991 Nagaya D18/55

D351,189 S * 10/1994 Yamaguchi et al. D18/55
D374,889 S * 10/1996 Barbera et al. D18/54
D376,171 S * 12/1996 Senshiki D18/55
D407,741 S * 4/1999 Kusanagi D18/55
D423,562 S * 4/2000 Kobayashi D18/55
D430,596 S * 9/2000 Shiozaki et al. D18/54
D441,785 S * 5/2001 Yoshida et al. D18/55
D443,891 S * 6/2001 Yonekawa et al. D18/55

* cited by examiner

Primary Examiner—Cathy Anne MacCormac

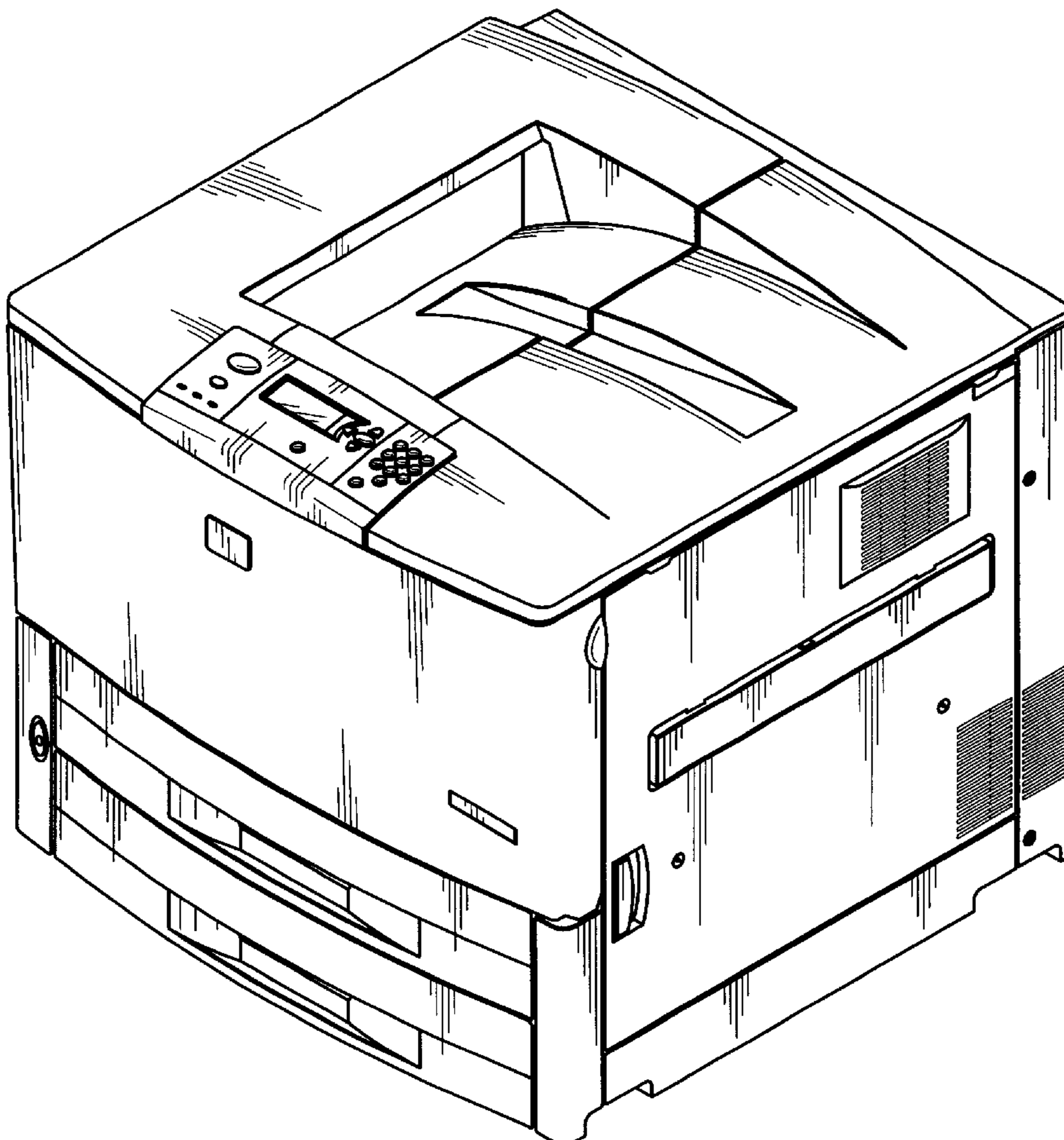
(57) **CLAIM**

The ornamental design for a document printer, as shown.

DESCRIPTION

FIG. 1 is a perspective view of a document printer showing the new design;
FIG. 2 is a top view thereof;
FIG. 3 is a front view thereof;
FIG. 4 is a left side view thereof;
FIG. 5 is a right side view thereof; and,
FIG. 6 is a rear view thereof.

1 Claim, 6 Drawing Sheets



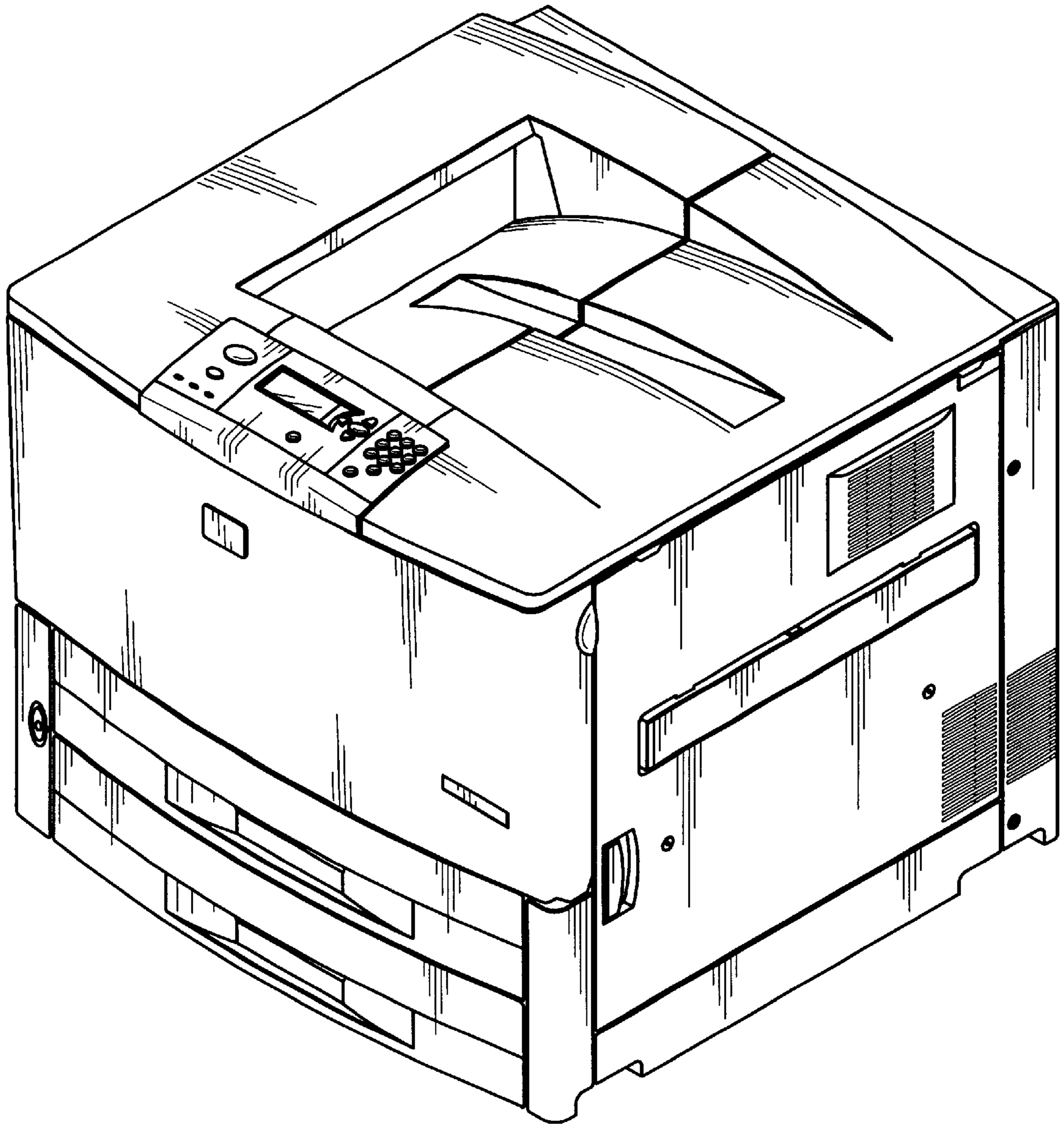


FIG. 1

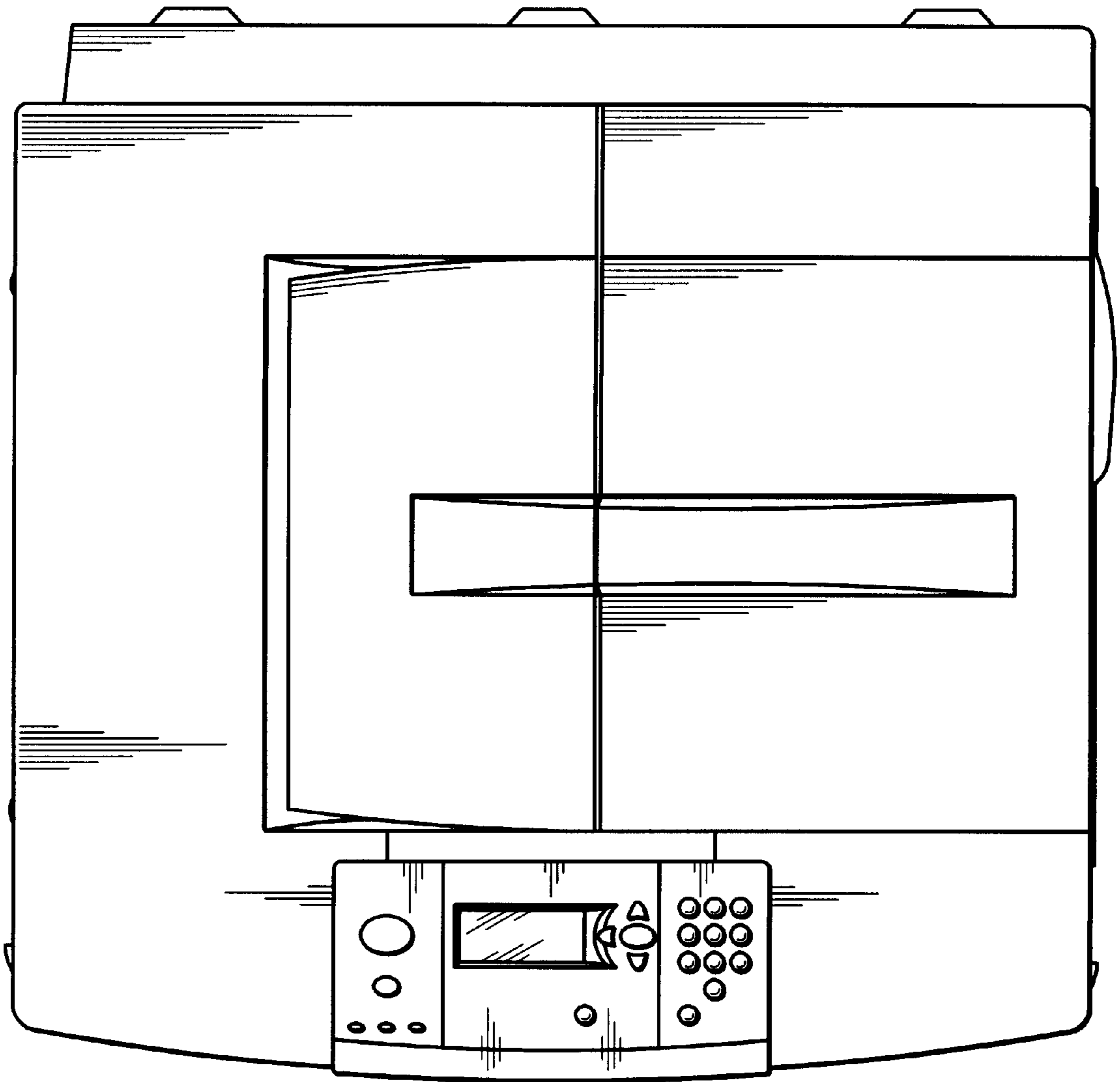


FIG. 2

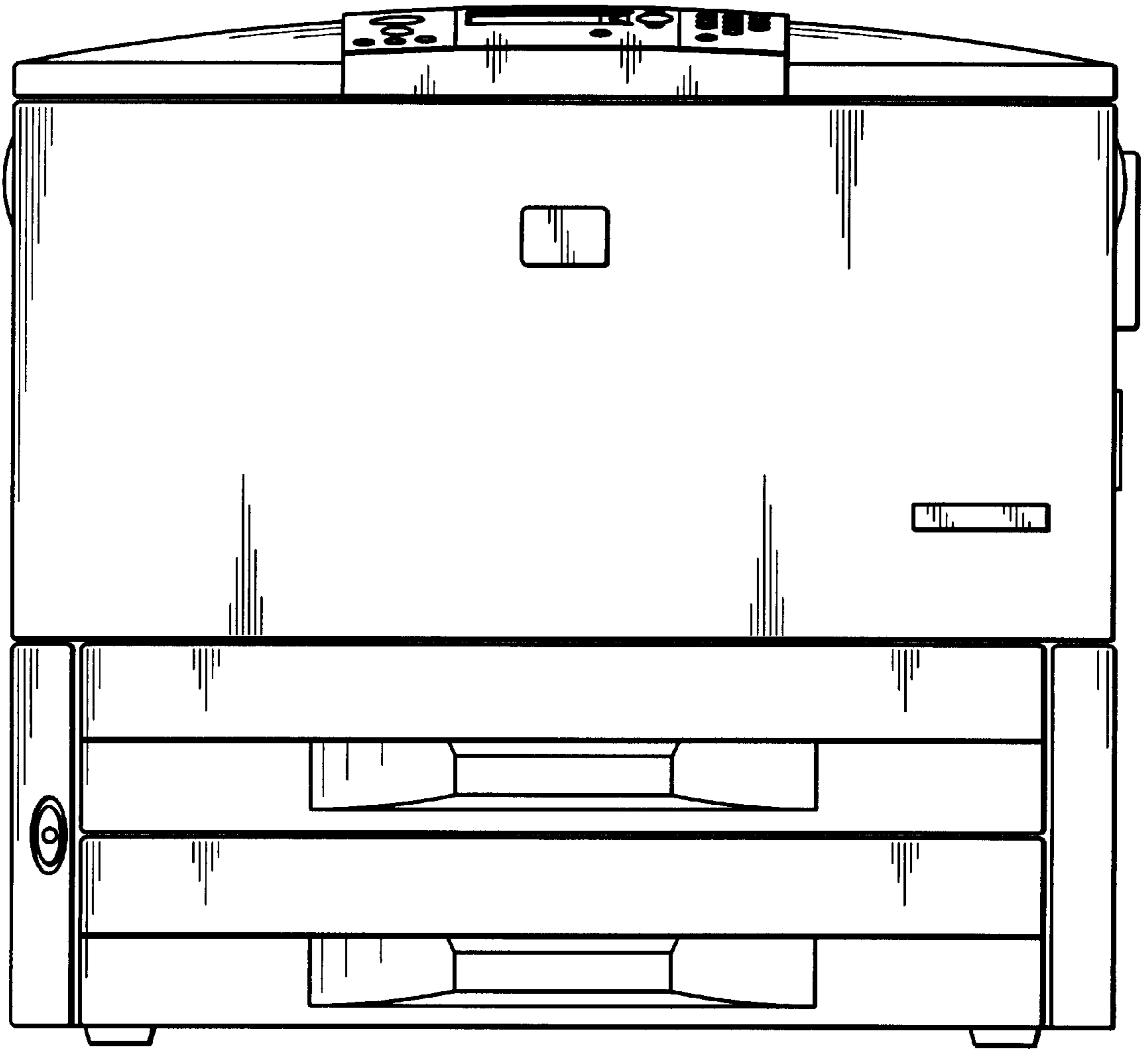


FIG. 3

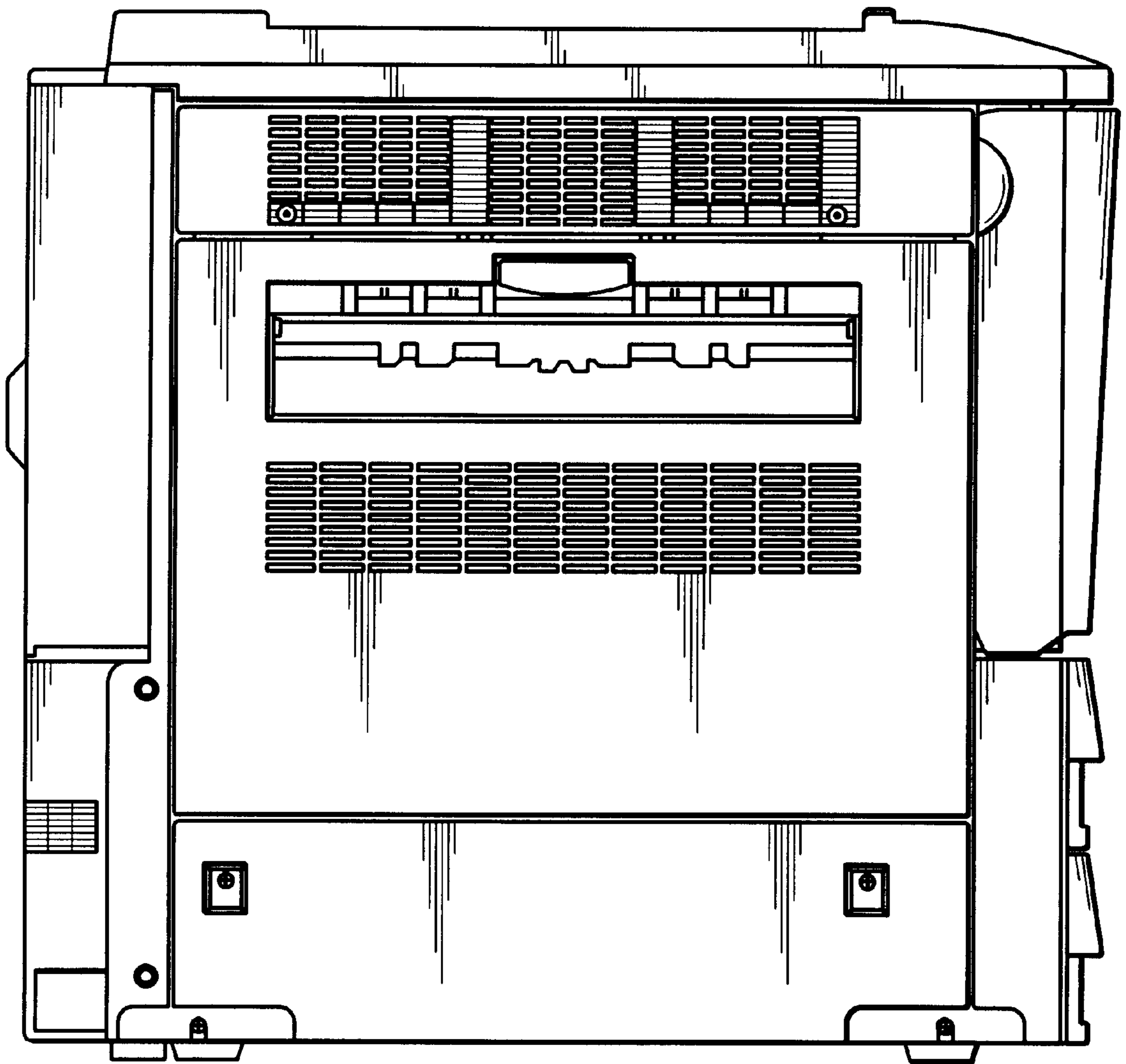


FIG. 4

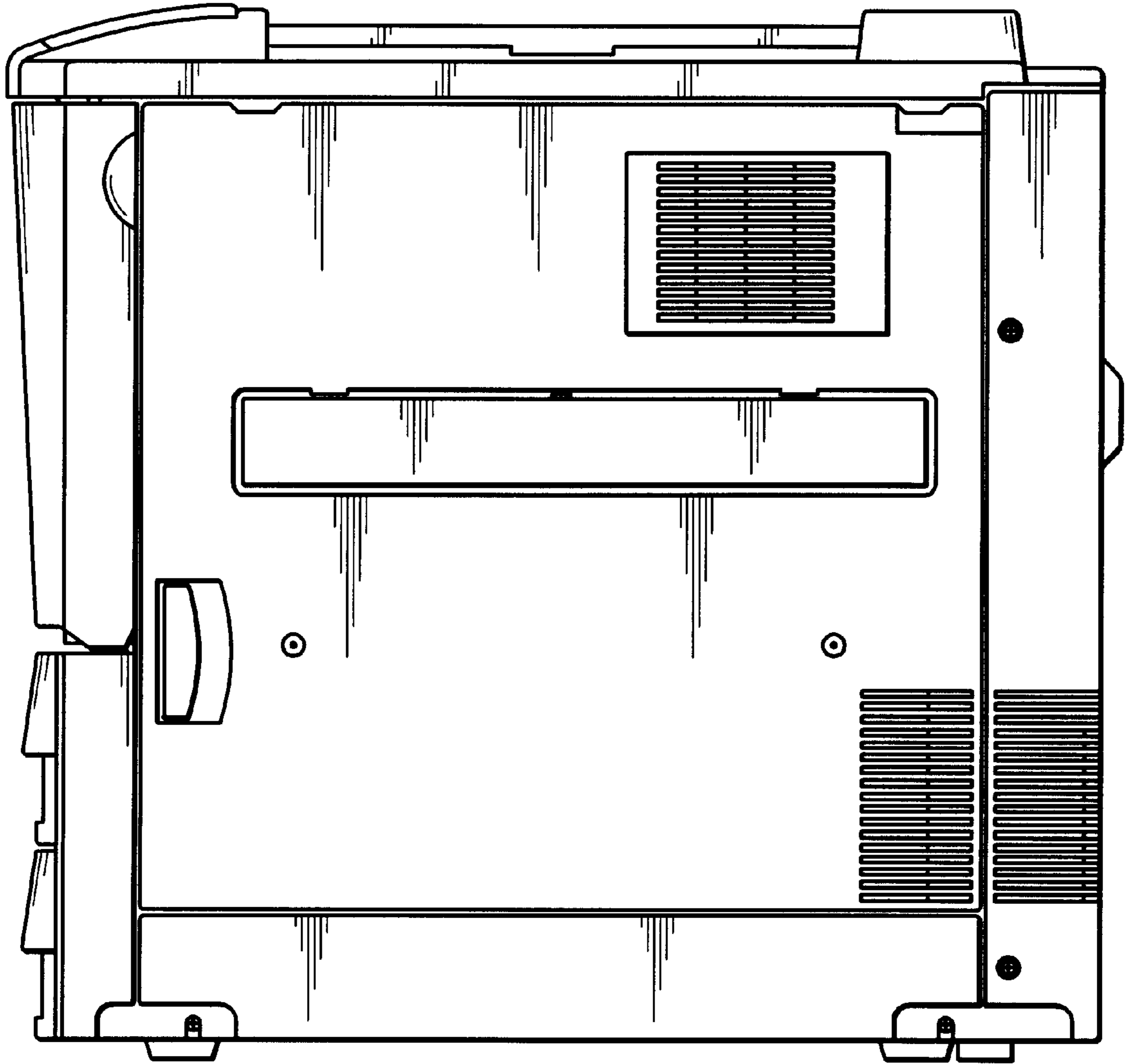


FIG. 5

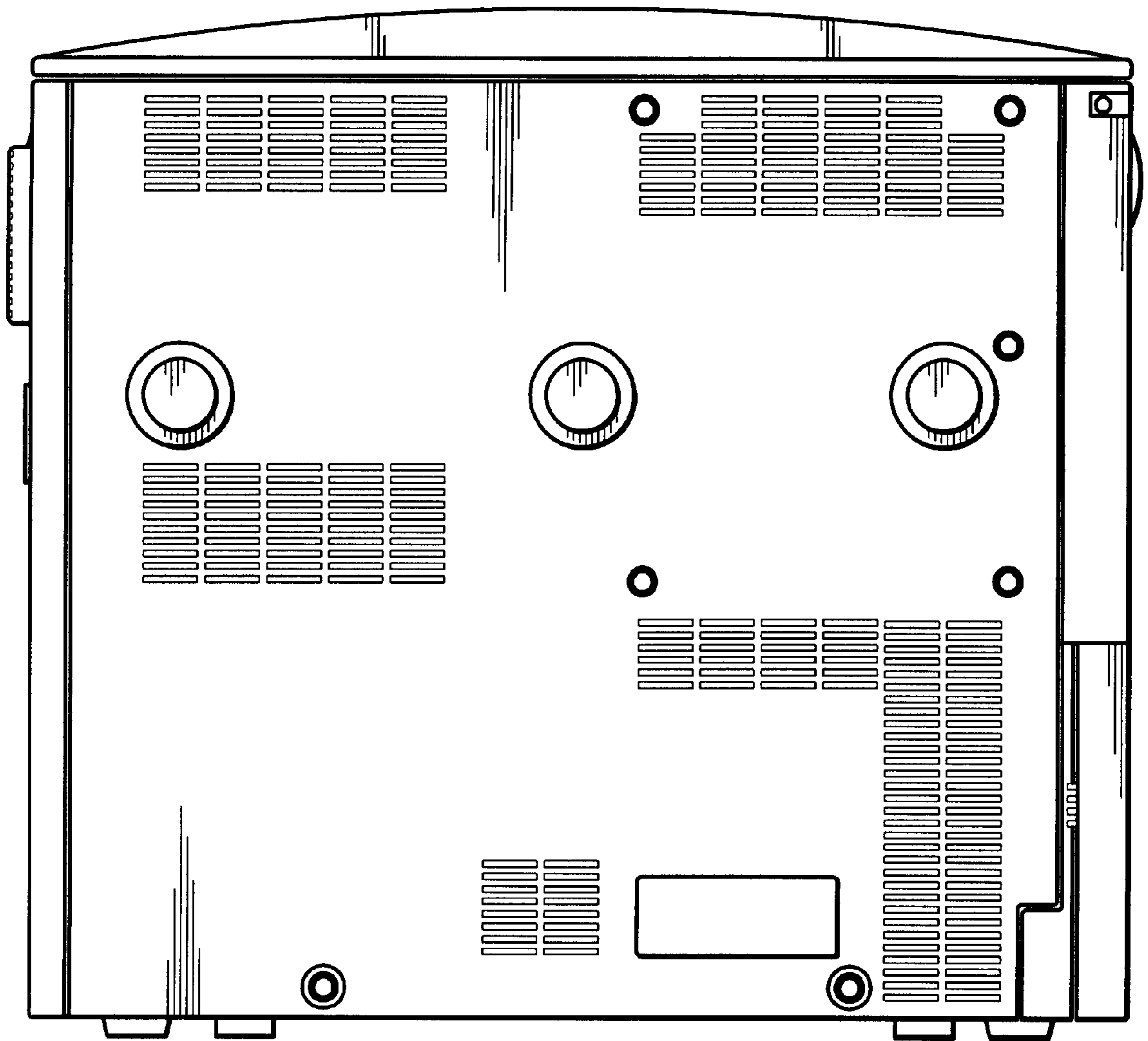


FIG. 6