



US00D455166S

(12) **United States Design Patent**
Raad et al.

(10) **Patent No.:** **US D455,166 S**

(45) **Date of Patent:** **** Apr. 2, 2002**

(54) **INFRARED ILLUMINATOR HOUSING**

(75) Inventors: **Elie-Jean Raad**, New Westminster;
Roman P. Rak, Delta; **William Fenton**, Surrey, all of (CA)

(73) Assignee: **Silent Witness Enterprises, Ltd.** (CA)

(**) Term: **14 Years**

(21) Appl. No.: **29/126,101**

(22) Filed: **Jul. 11, 2000**

(30) **Foreign Application Priority Data**

Mar. 14, 2000 (CA) 2000-0708

(51) **LOC (7) Cl.** **16-01**

(52) **U.S. Cl.** **D16/203; D10/106**

(58) **Field of Search** D10/104, 106;
D16/200-205, 208, 219; 348/143, 373-375;
396/427, 535-541

(56) **References Cited**

U.S. PATENT DOCUMENTS

D307,560 S 5/1990 Andrews et al. D10/106
D334,541 S 4/1993 Schwartz D10/104
D339,079 S 9/1993 Behlke D10/106
5,382,943 A * 1/1995 Tanaka 348/143

D374,189 S 10/1996 Hubben D10/106
D412,924 S * 8/1999 Hiraguchi D16/219
D416,273 S * 11/1999 Yamakawa et al. D16/203
D425,535 S * 5/2000 Mutoh et al. D16/203
D426,250 S * 6/2000 Lefkowitz D16/203
D433,953 S * 11/2000 Woznicki et al. D10/106

* cited by examiner

Primary Examiner—Adir Aronovich

(74) *Attorney, Agent, or Firm*—Hall, Priddy, Myers & Vande Sande

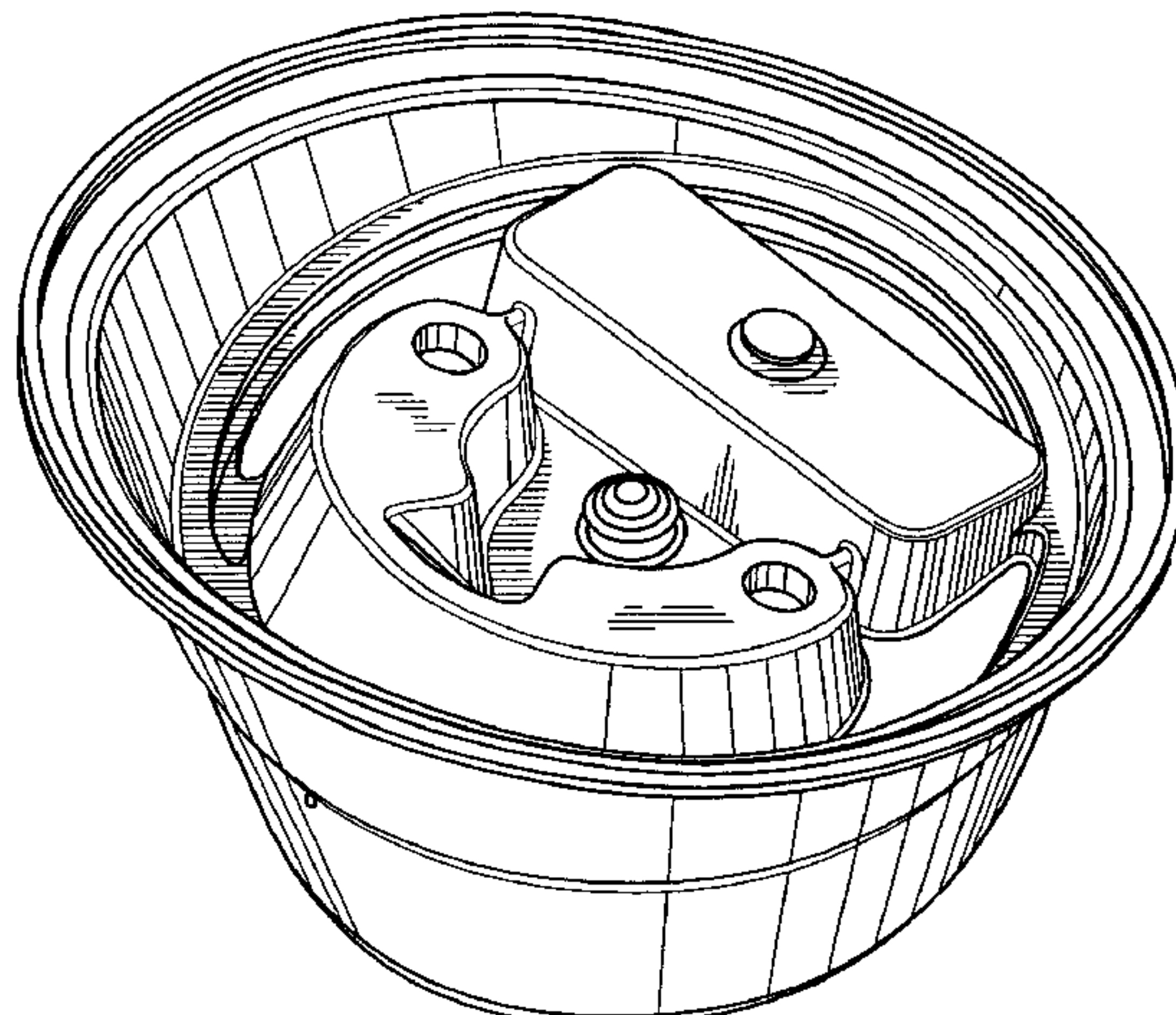
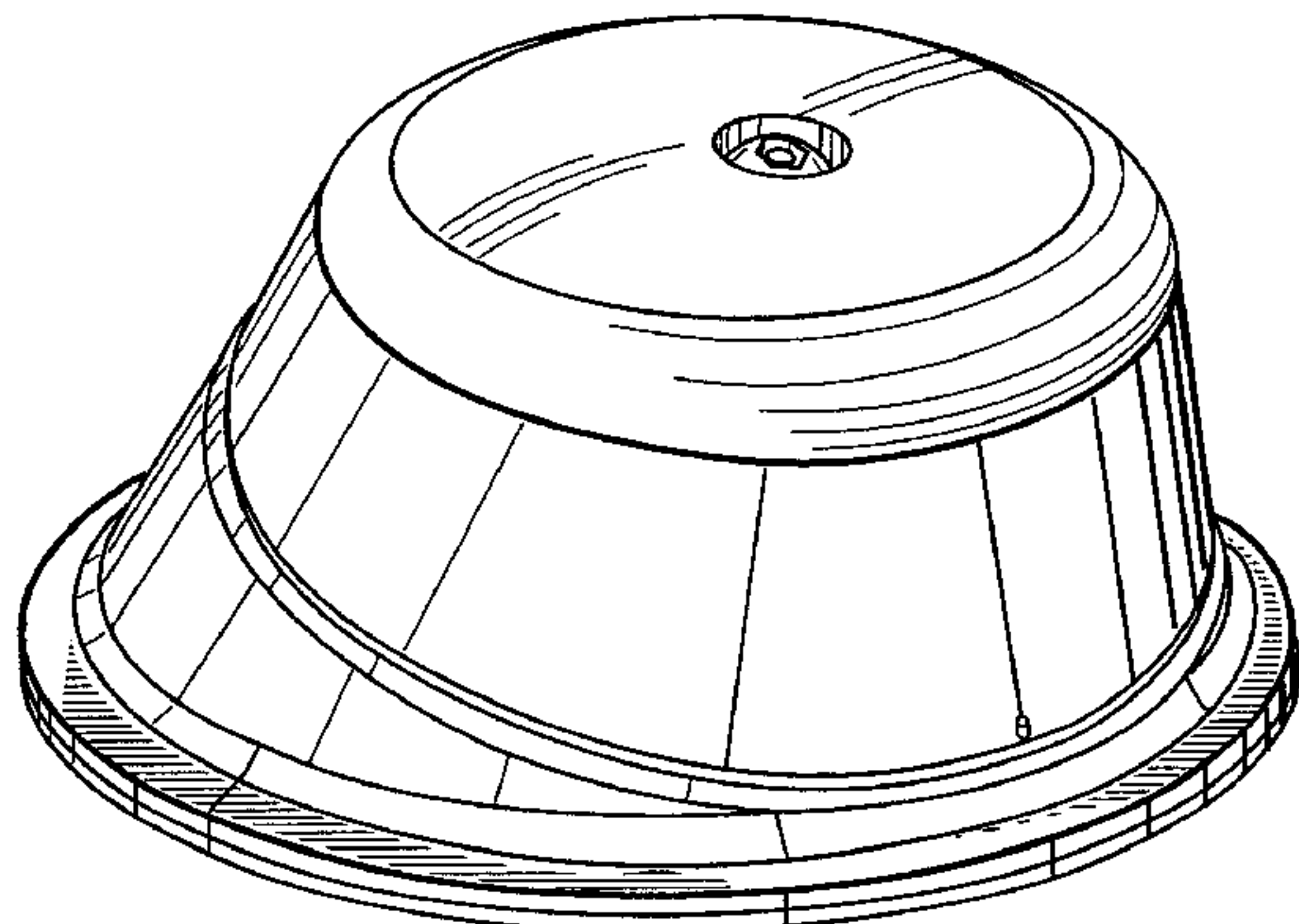
(57) **CLAIM**

The ornamental design for a infrared illuminator housing, as shown and described.

DESCRIPTION

FIG. 1 is a front perspective view of an infrared illuminator housing showing our new design;
FIG. 2 is an alternate front perspective view thereof;
FIG. 3 is a top plan view thereof;
FIG. 4 is an alternative top plan view thereof;
FIG. 5 is a side view thereof;
FIG. 6 is a side view opposite that shown in FIG. 5;
FIG. 7 is a bottom perspective view thereof; and,
FIG. 8 is bottom plan view thereof.

1 Claim, 4 Drawing Sheets



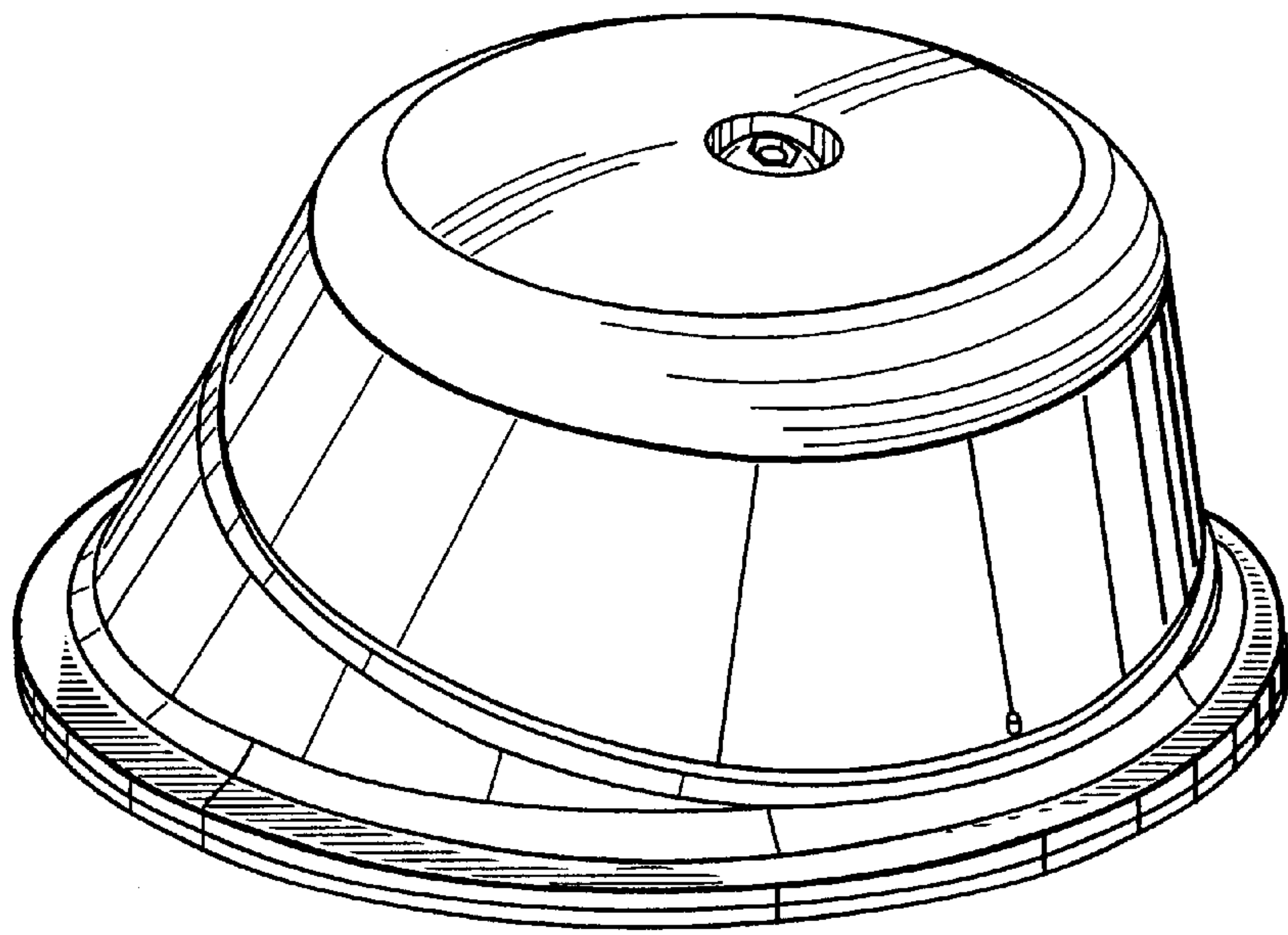


FIG. 1

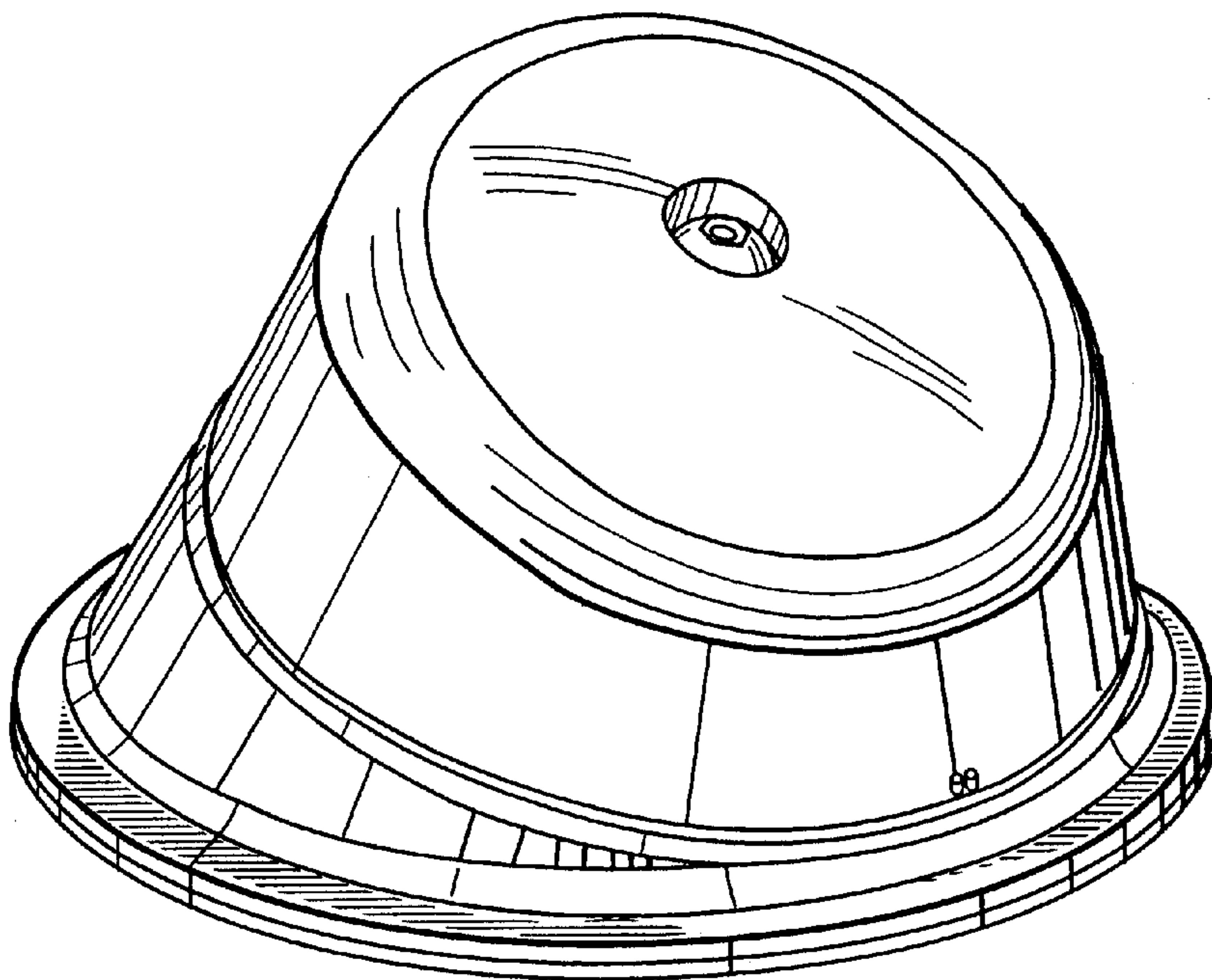


FIG. 2

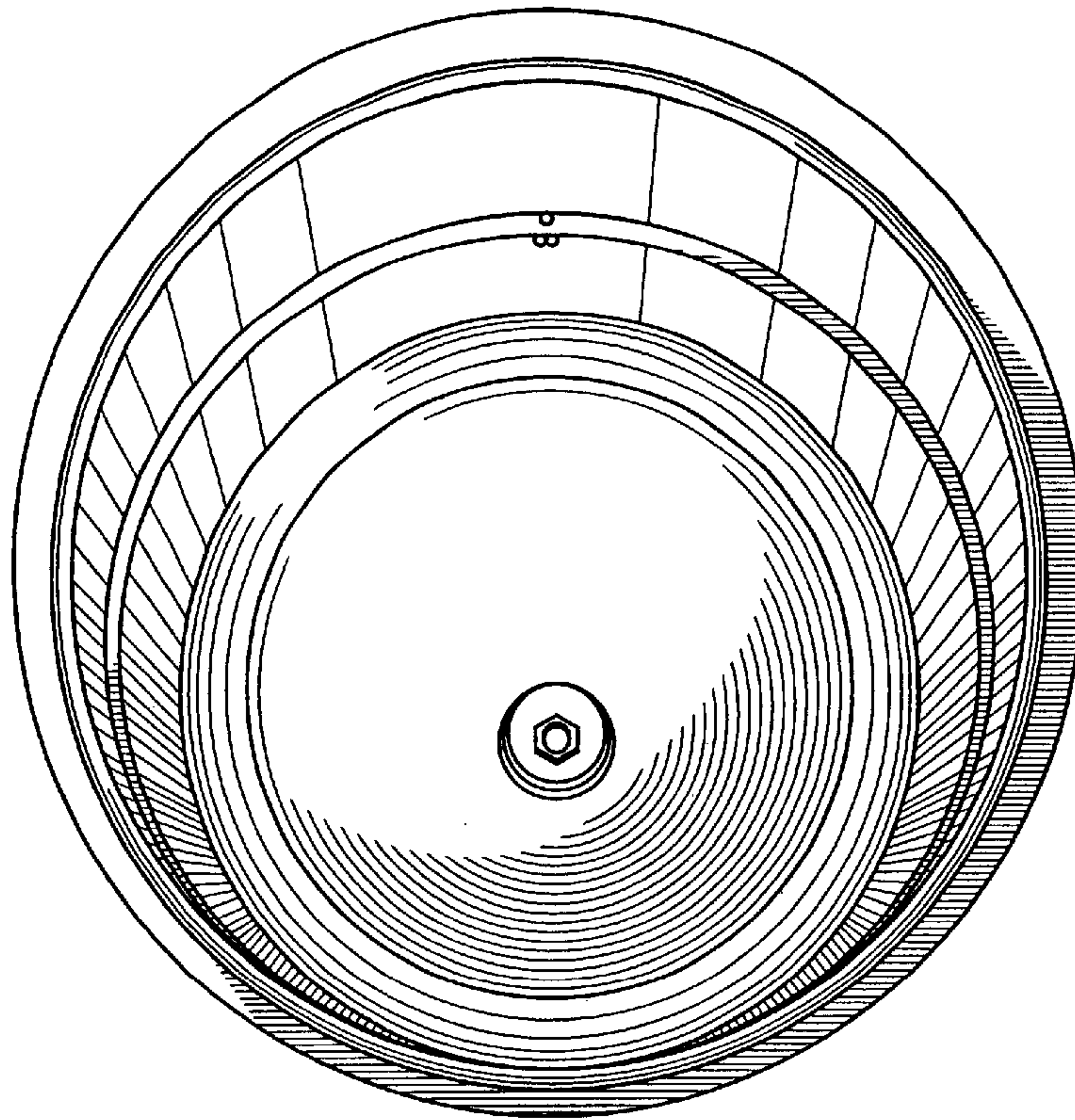


FIG. 3

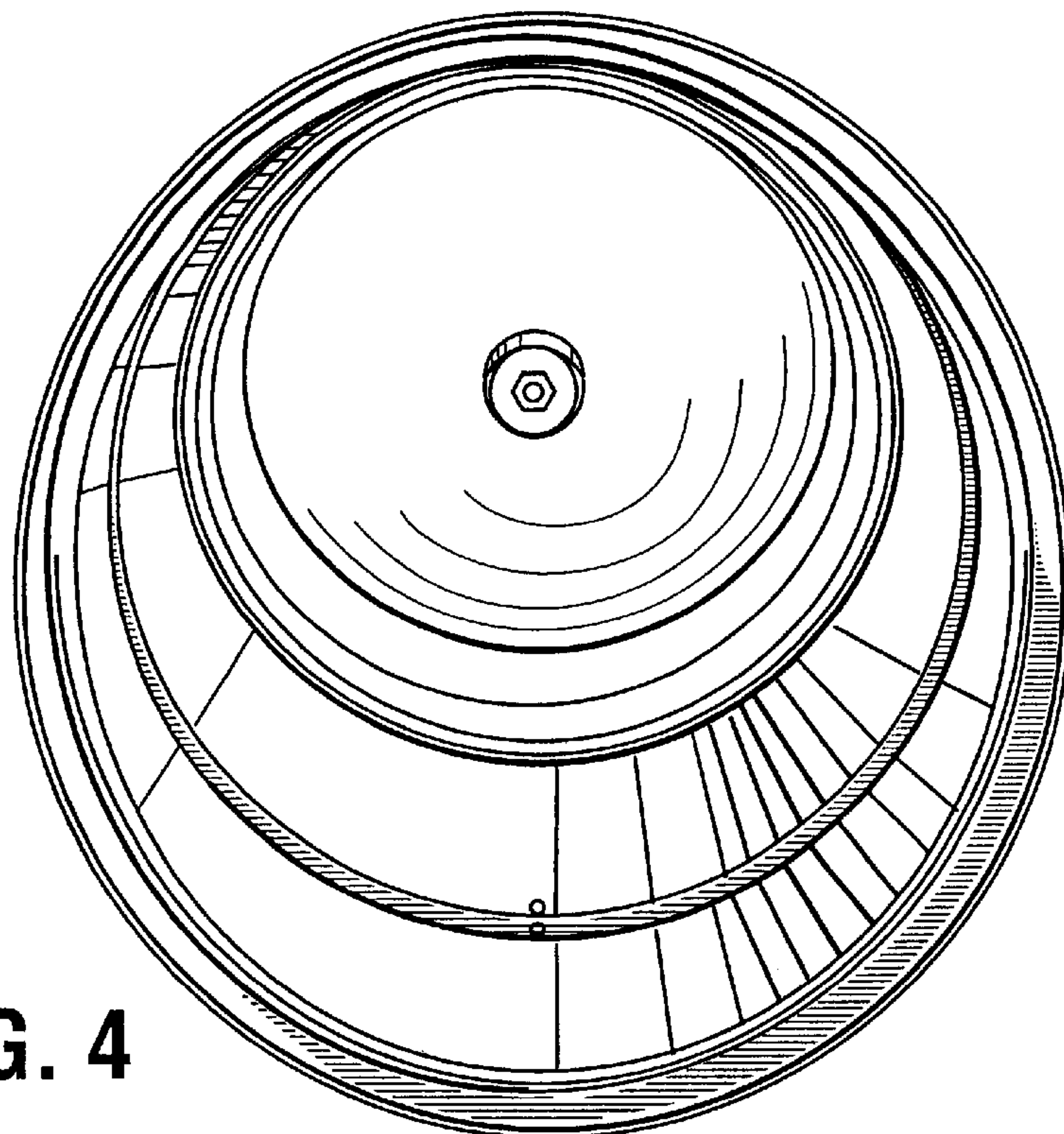


FIG. 4

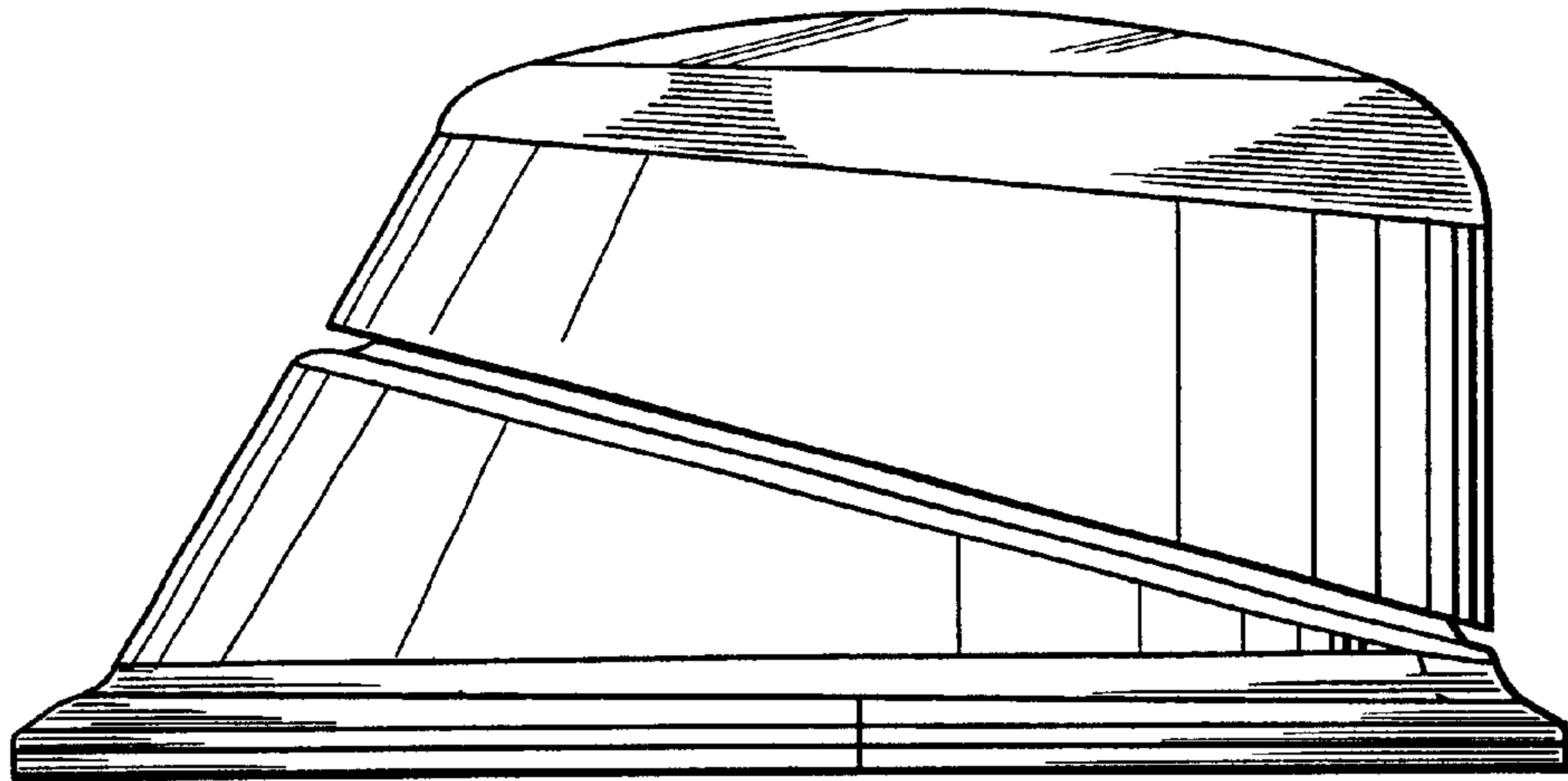


FIG. 5

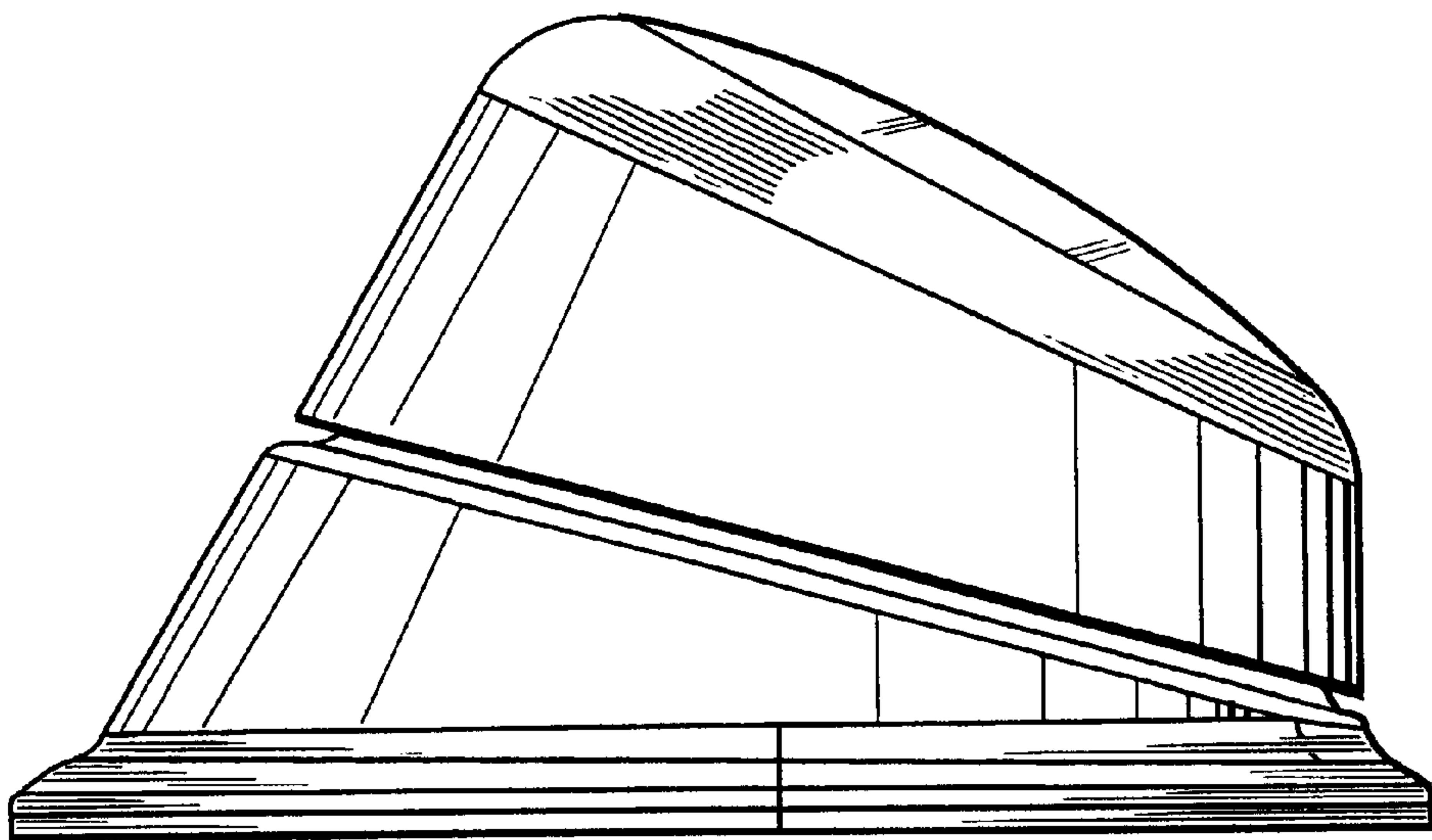


FIG. 6

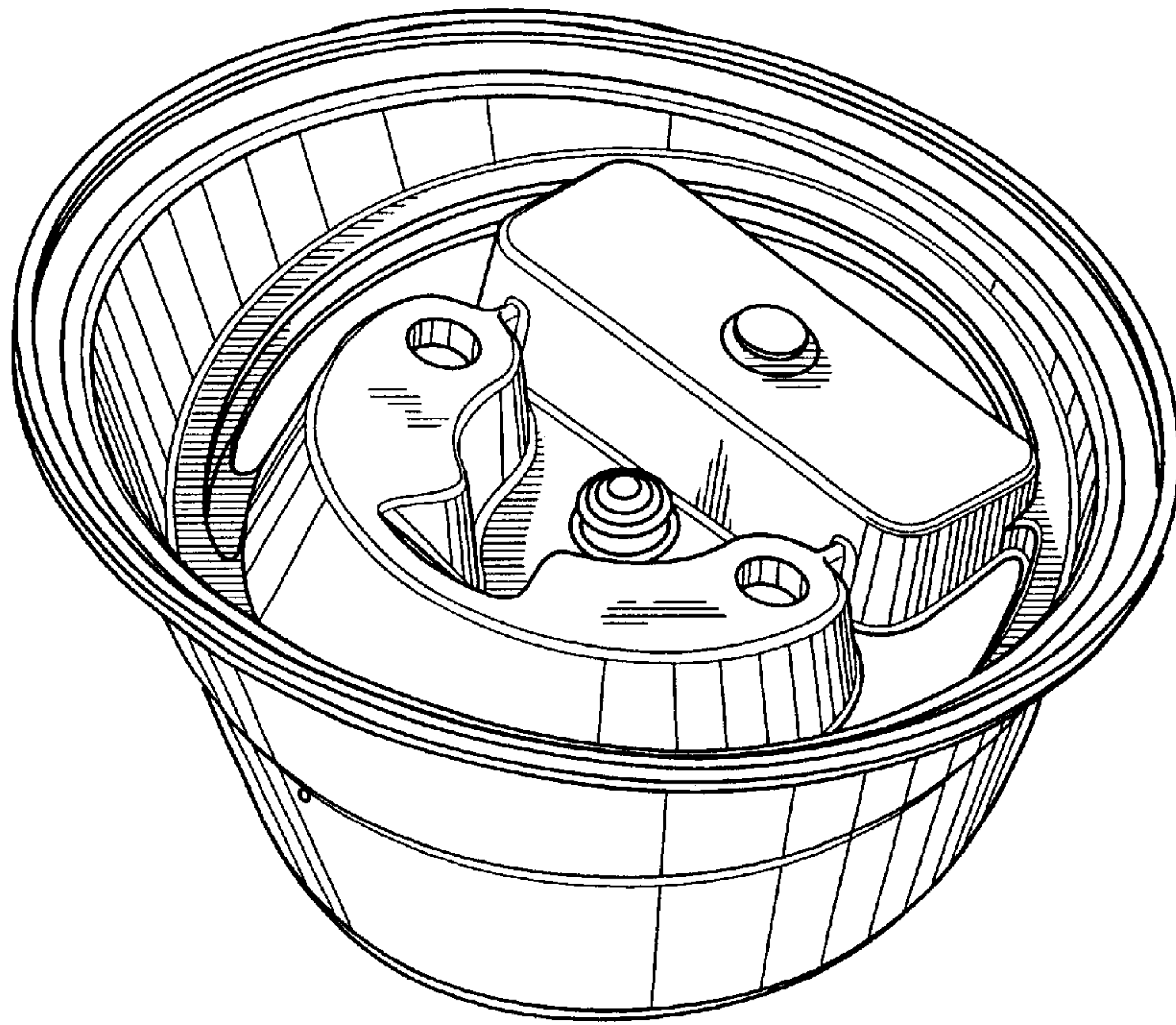


FIG. 7

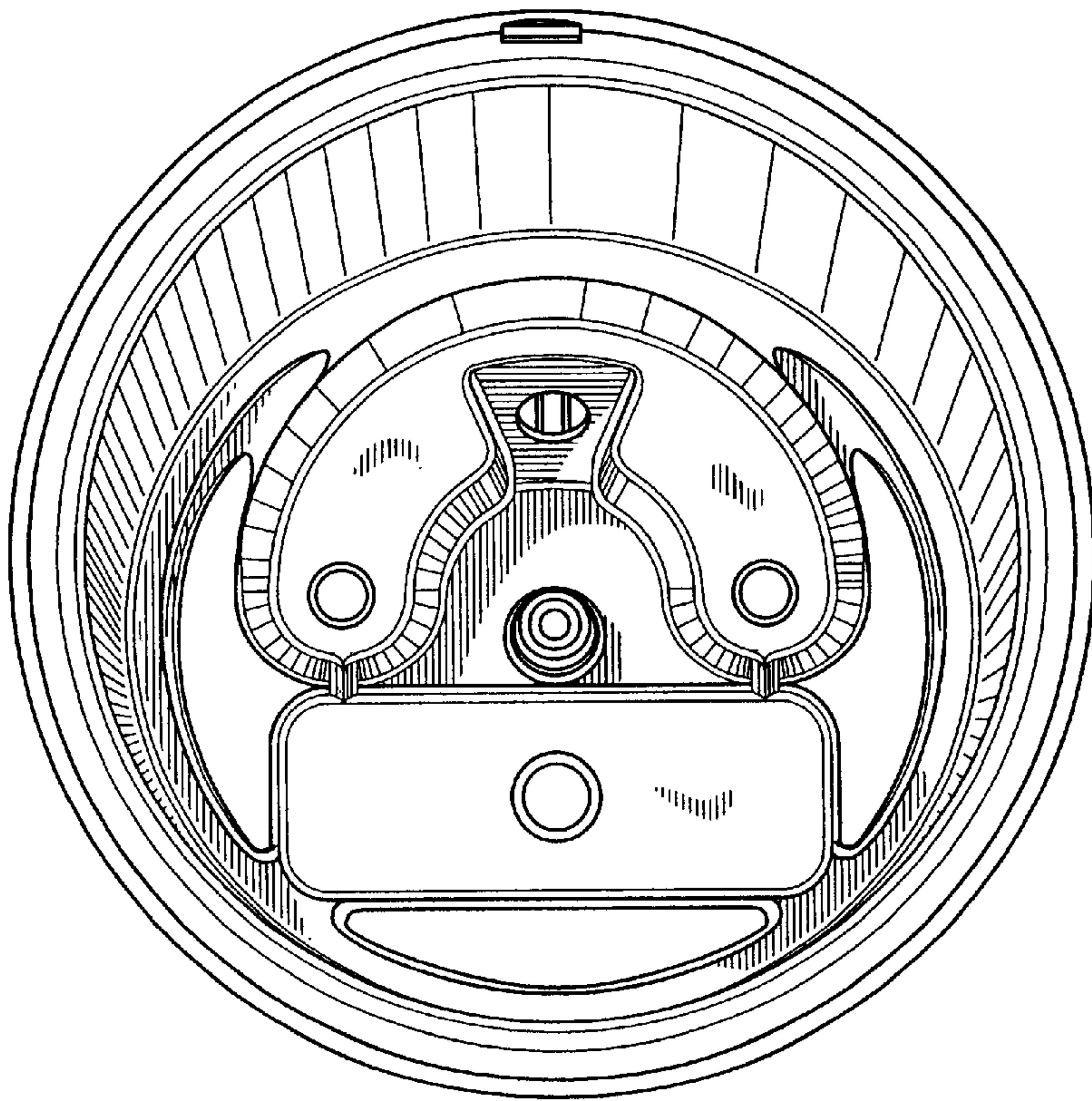


FIG. 8