



US00D455163S

(12) **United States Design Patent**
Kawaguchi

(10) **Patent No.:** **US D455,163 S**

(45) **Date of Patent:** **** Apr. 2, 2002**

(54) **INDUSTRIAL ROBOT**

(75) Inventor: **Kiyomi Kawaguchi**, Tokyo (JP)

(73) Assignee: **Janome Sewing Machine Co., Ltd.**,
Tokyo (JP)

(**) Term: **14 Years**

(21) Appl. No.: **29/140,290**

(22) Filed: **Apr. 17, 2001**

(30) **Foreign Application Priority Data**

Oct. 18, 2000 (JP) 2000-029529

(51) **LOC (7) Cl.** **15-99**

(52) **U.S. Cl.** **D15/199**

(58) **Field of Search** D15/199; 29/26 A,
29/434, 568; 408/234, 237, 434; 409/235,
212, 202

(56) **References Cited**

U.S. PATENT DOCUMENTS

5,375,952 A * 12/1994 Line 409/234 X

D366,054 S * 1/1996 Eguchi D15/199
5,575,318 A * 11/1996 Susnjara 409/235 X
6,067,695 A * 5/2000 Momoltio 409/202 X

* cited by examiner

Primary Examiner—Antoine Duval Davis

(74) *Attorney, Agent, or Firm*—Lowe Hauptman Gilman &
Berner, LLP

(57) **CLAIM**

The ornamental design for an industrial robot, as shown and described.

DESCRIPTION

FIG. 1 is a perspective view of an industrial robot showing my design;

FIG. 2 is a front elevational view thereof;

FIG. 3 is a rear elevational view thereof;

FIG. 4 is a top plan view thereof;

FIG. 5 is a bottom plan view thereof;

FIG. 6 is a left side elevational view thereof; and,

FIG. 7 is a right side elevational view thereof.

1 Claim, 7 Drawing Sheets

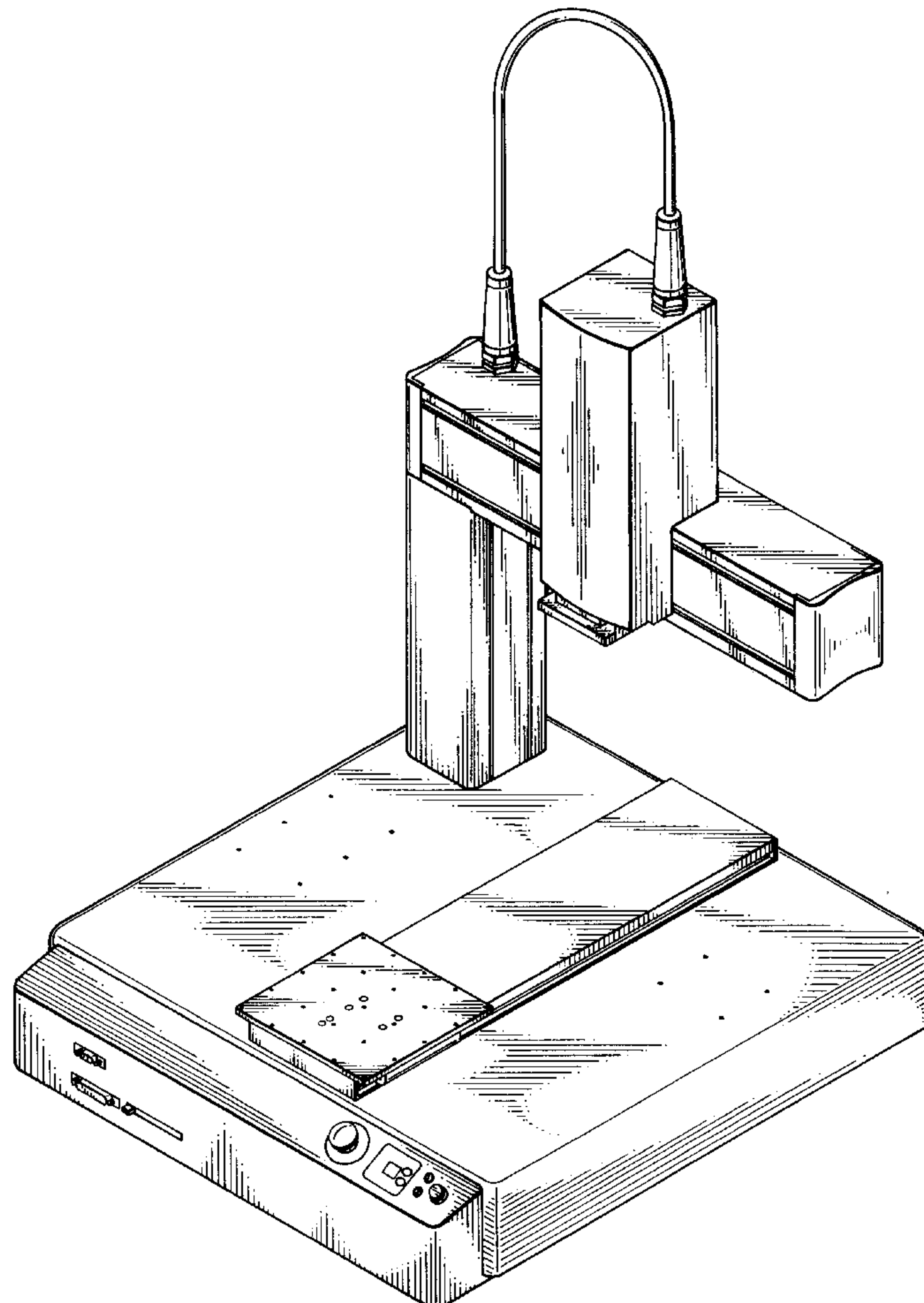


FIG. 1

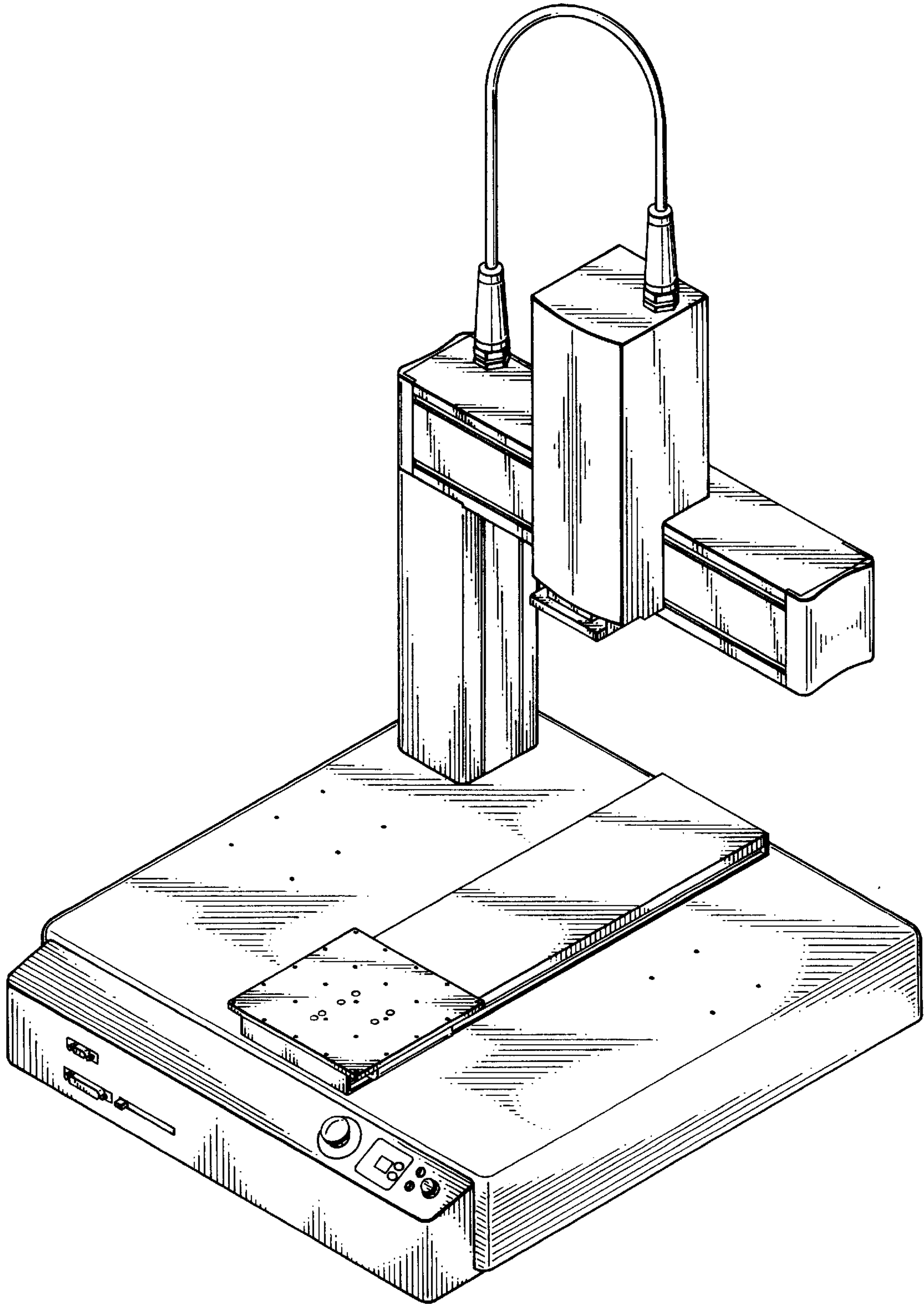


FIG. 2

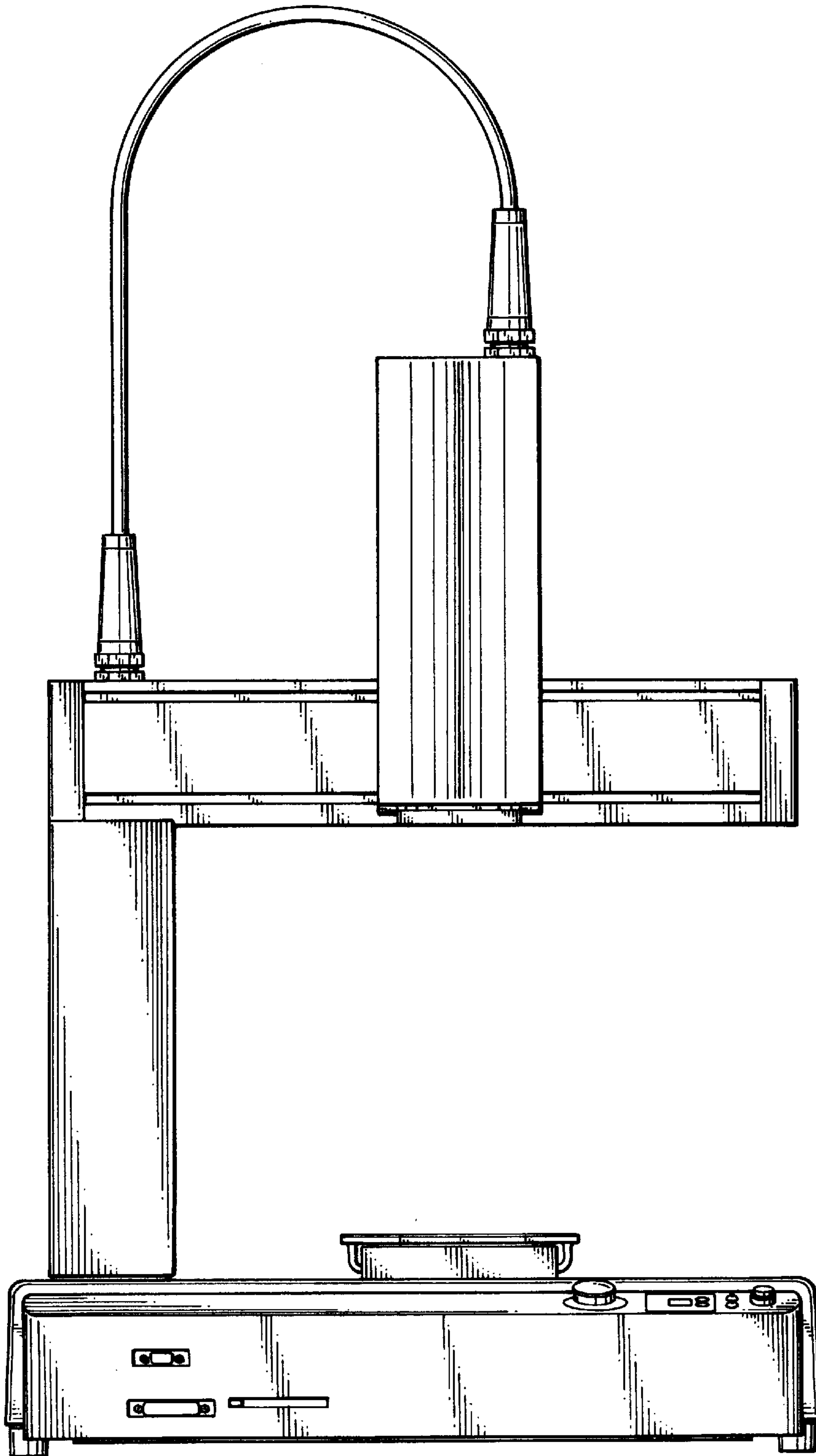


FIG. 3

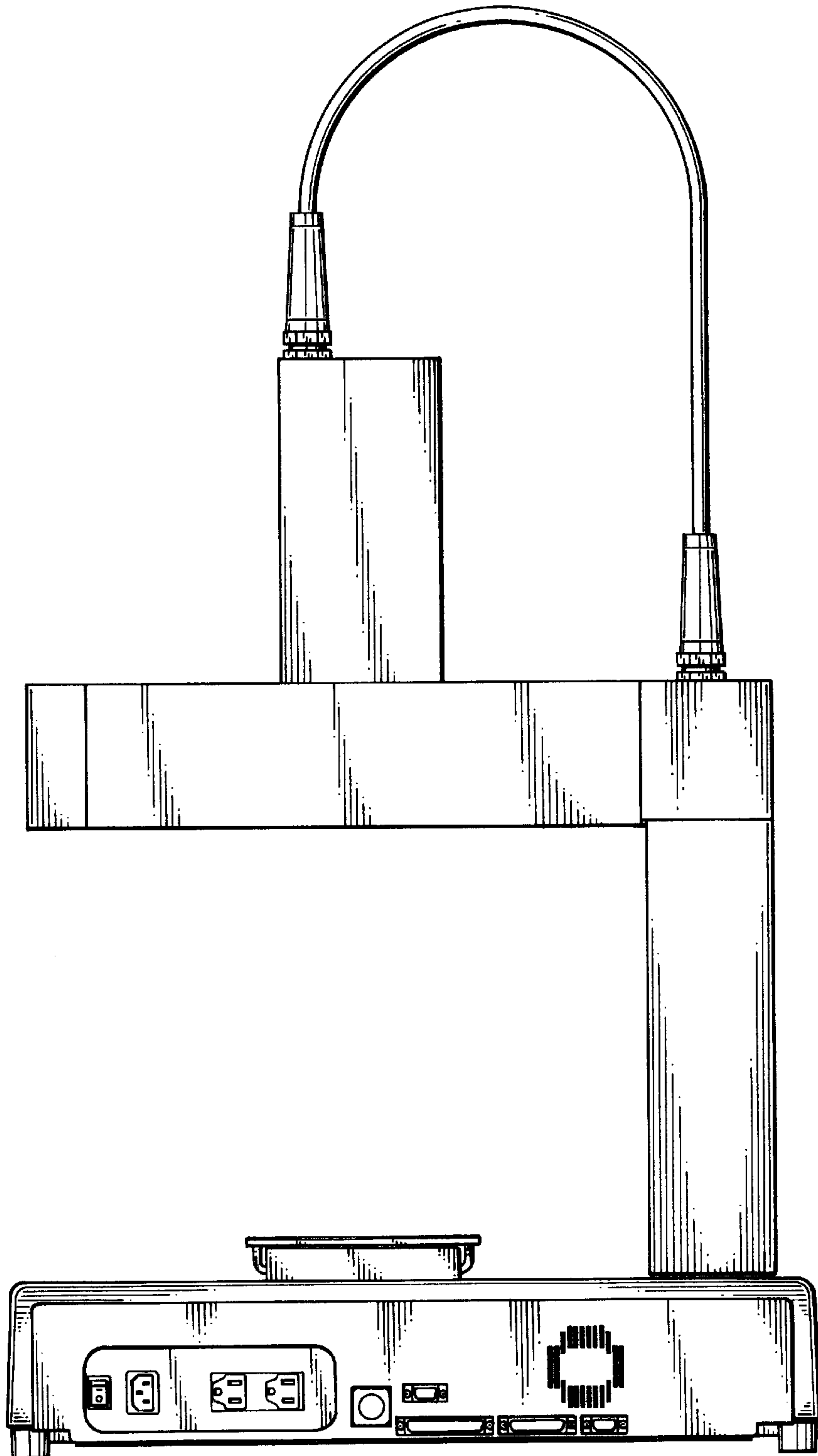


FIG. 4

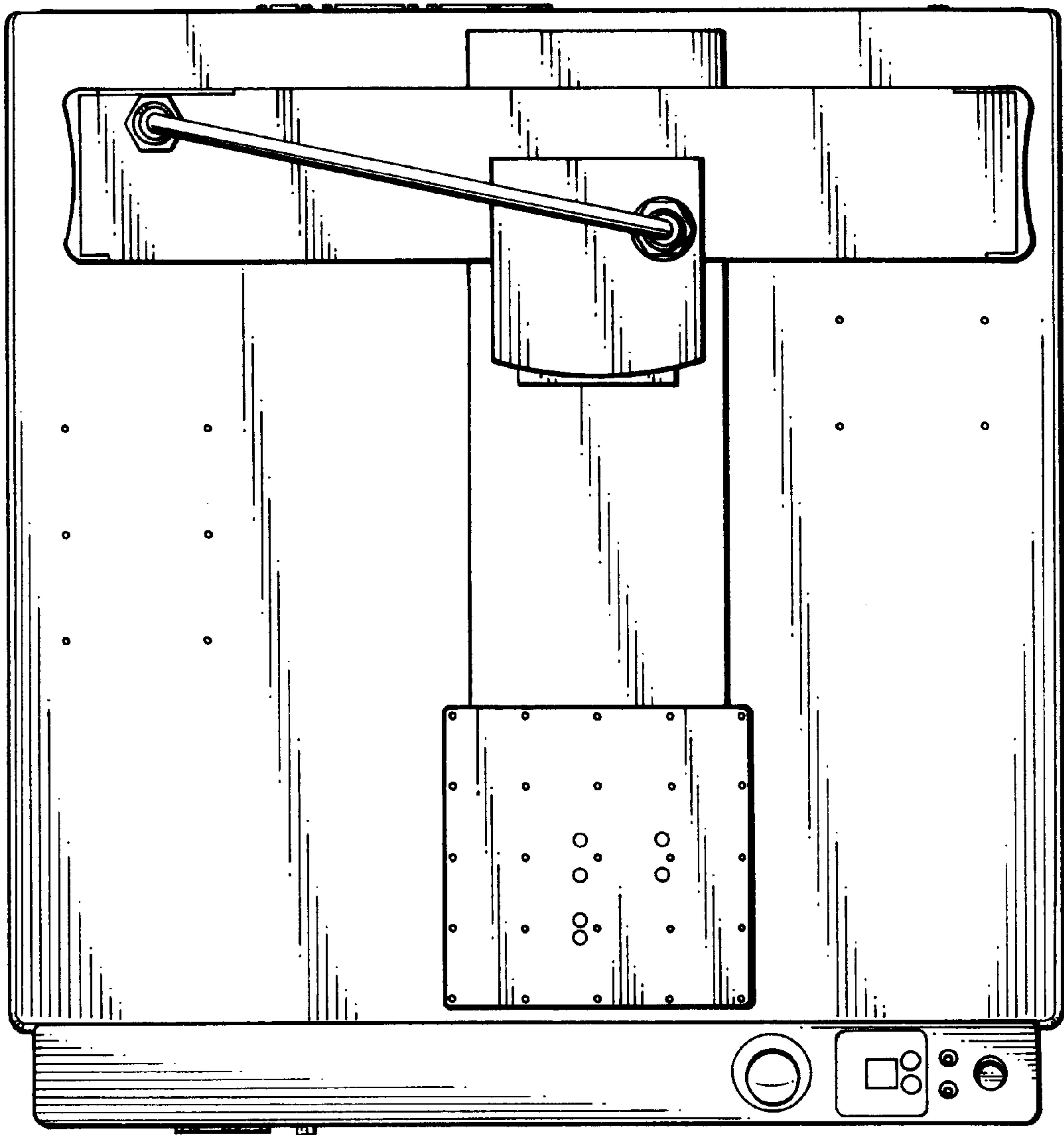


FIG. 5

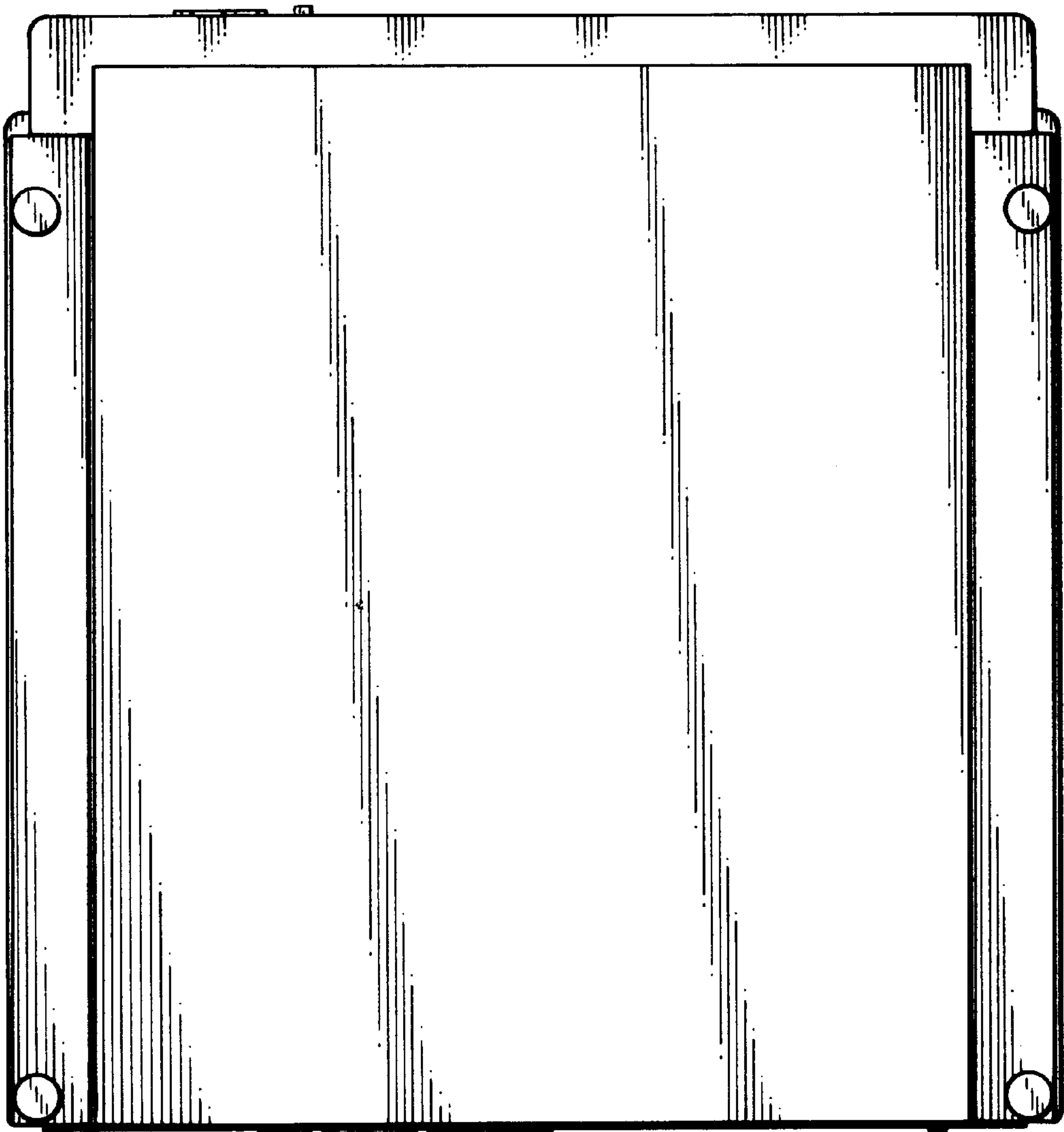


FIG. 6

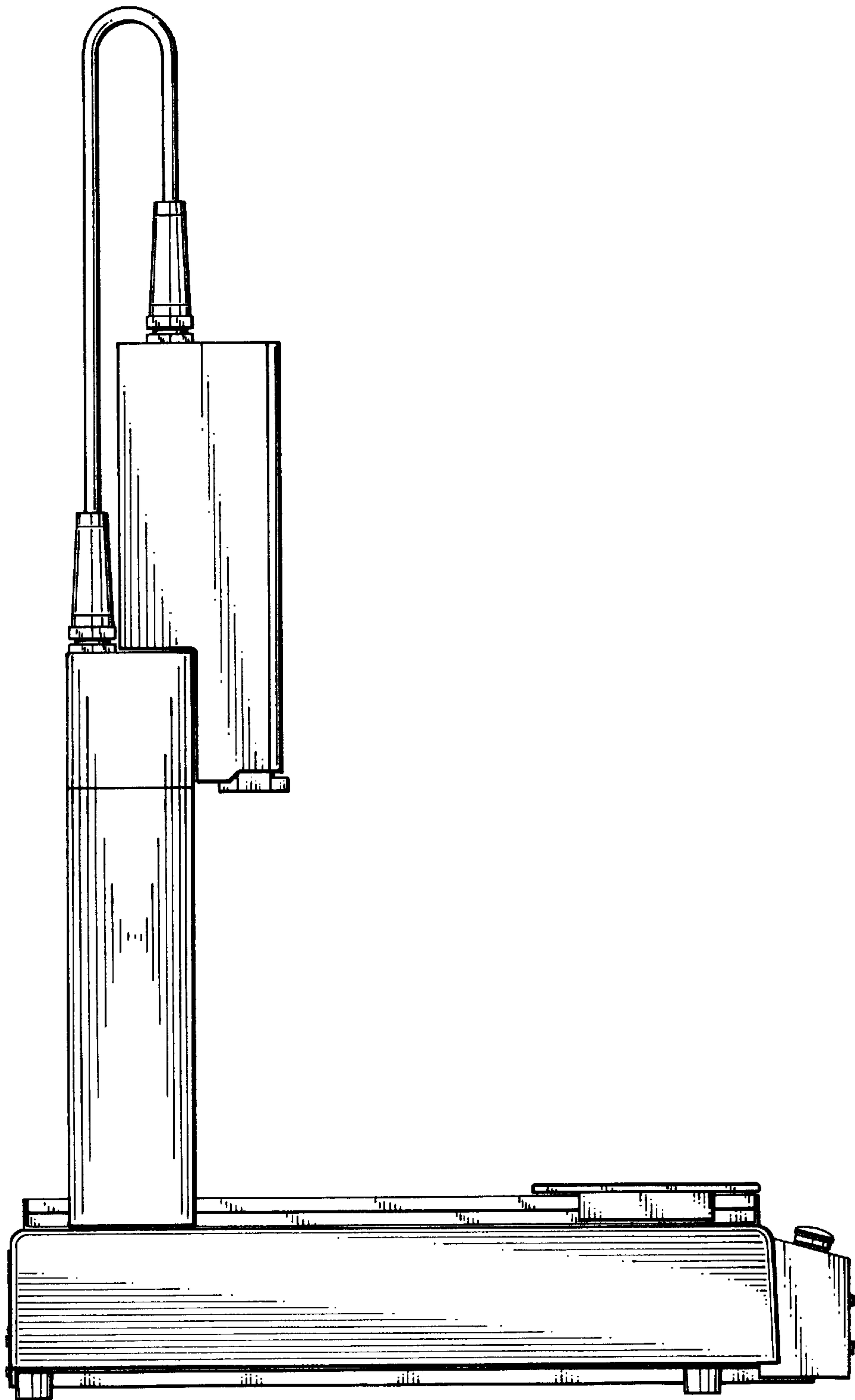


FIG. 7

