



US00D455162S

(12) **United States Design Patent**  
**Lisowski**

(10) **Patent No.:** **US D455,162 S**

(45) **Date of Patent:** **\*\* Apr. 2, 2002**

(54) **COLLET HEAD**

(75) Inventor: **Walter E. Lisowski**, Chicago, IL (US)

(73) Assignee: **Mid-West Screw Products, Inc.**,  
Chicago, IL (US)

(\*\*) Term: **14 Years**

(21) Appl. No.: **29/137,405**

(22) Filed: **Feb. 20, 2001**

(51) **LOC (7) Cl.** ..... **15-09**

(52) **U.S. Cl.** ..... **D15/140**

(58) **Field of Search** ..... D15/140; 279/1 N,  
279/4, 46.3; 409/182, 231-233

(56) **References Cited**

**U.S. PATENT DOCUMENTS**

5,398,947 A \* 3/1995 Cook ..... 279/46.3  
D437,865 S \* 2/2001 Kladich ..... D15/140

\* cited by examiner

*Primary Examiner*—Antoine Duval Davis

(74) *Attorney, Agent, or Firm*—Leydig, Voit & Mayer, Ltd.

(57) **CLAIM**

The ornamental design for a collet head, as shown and described.

**DESCRIPTION**

FIG. 1 is a left perspective view of a collet head showing my new design;

FIG. 2 is a front end view thereof;

FIG. 3 is a left side plan view thereof;

FIG. 4 is a right plan view thereof;

FIG. 5 is a top plan view thereof;

FIG. 6 is a bottom plan view thereof;

FIG. 7 is a rear end view thereof;

FIG. 8 is a left perspective of an alternative form of the collet head here having four segments;

FIG. 9 is a front end view thereof;

FIG. 10 is a left side plan view thereof;

FIG. 11 is a right plan view thereof;

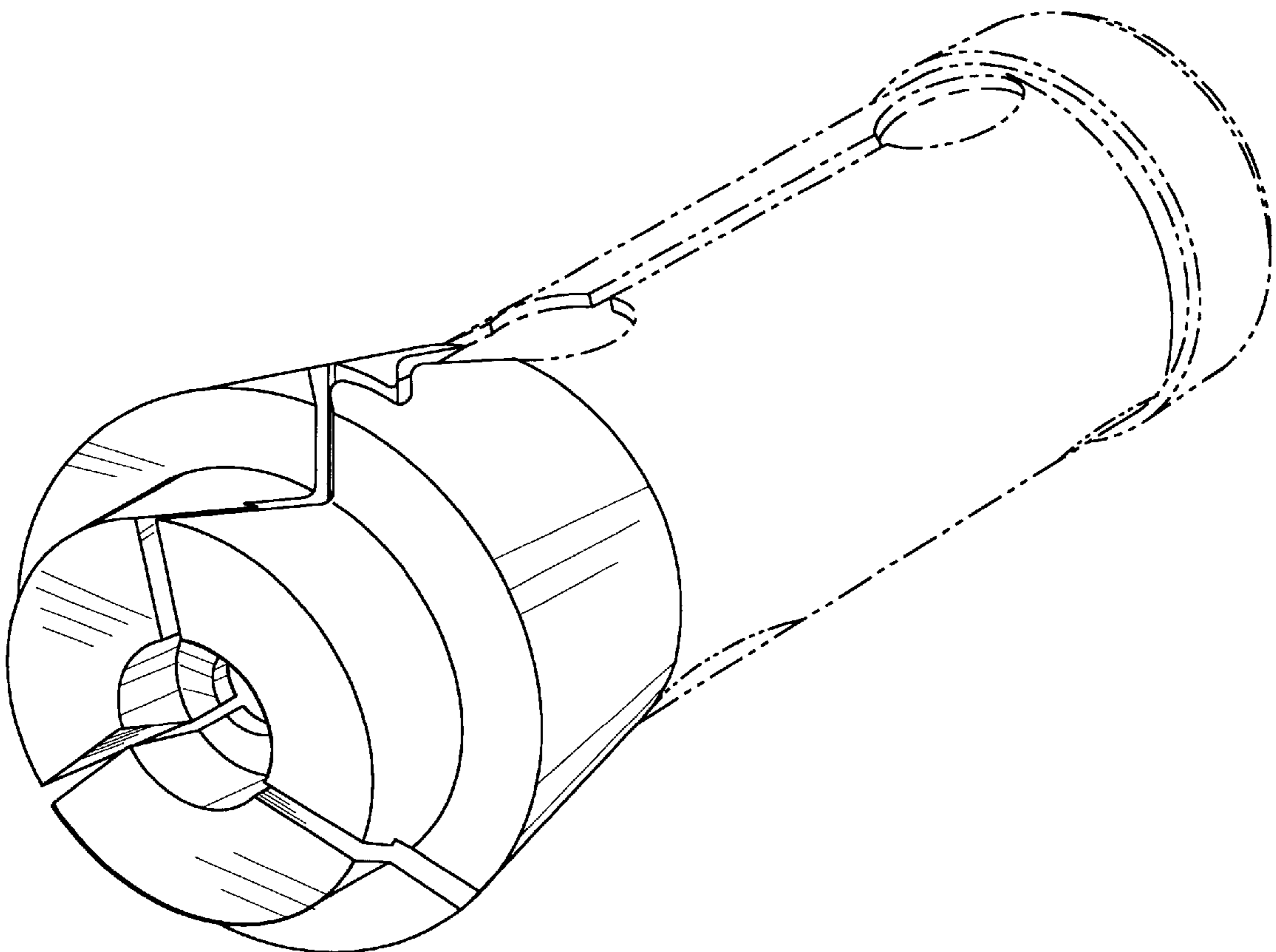
FIG. 12 is a top plan view thereof;

FIG. 13 is a bottom plan view thereof; and,

FIG. 14 is a rear end view thereof.

The portions shown in dotted lines in FIGS. 1, 3-8 and 10-14 are for reference purposes only and do not form a part of my design.

**1 Claim, 4 Drawing Sheets**



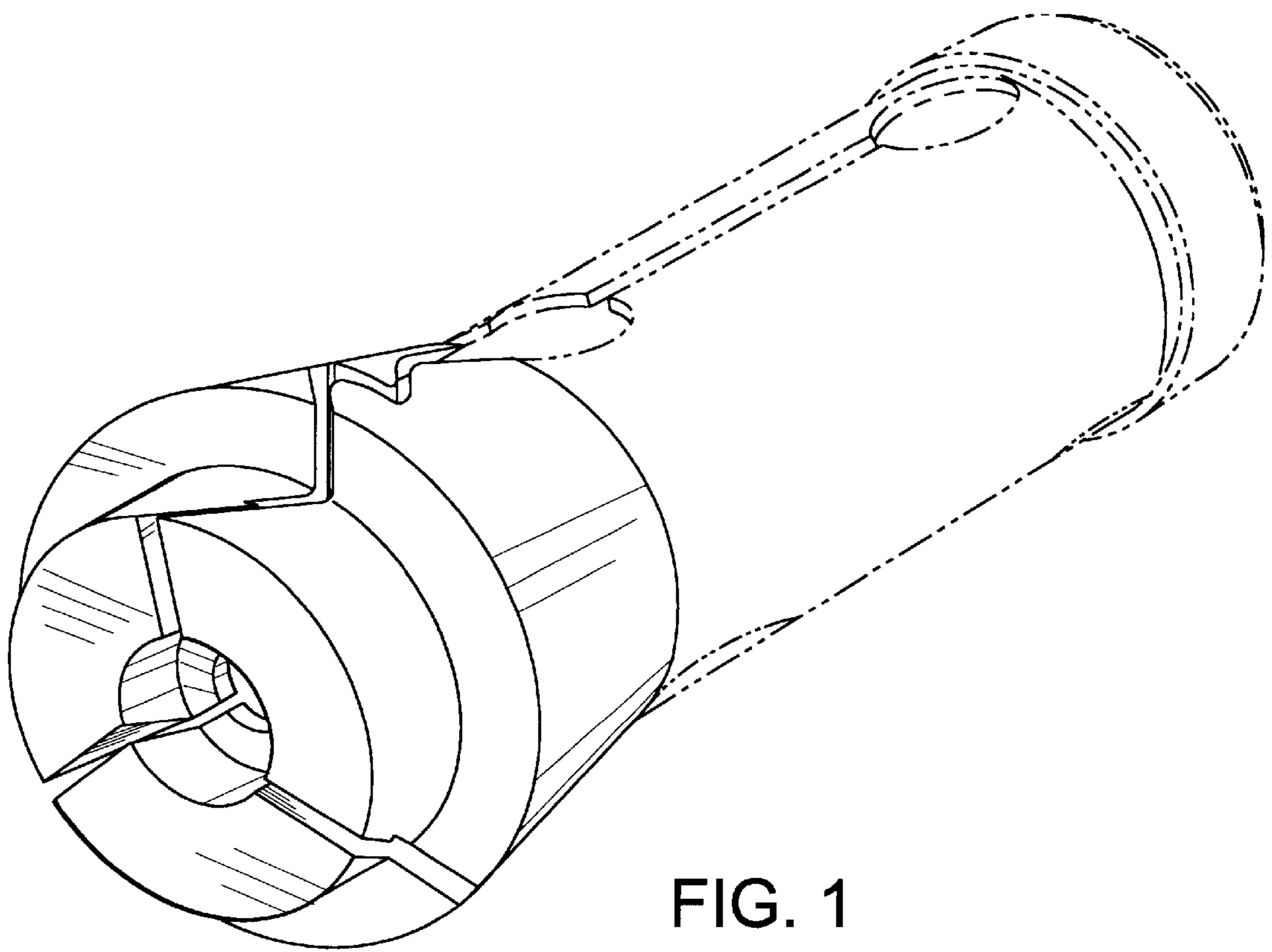


FIG. 1

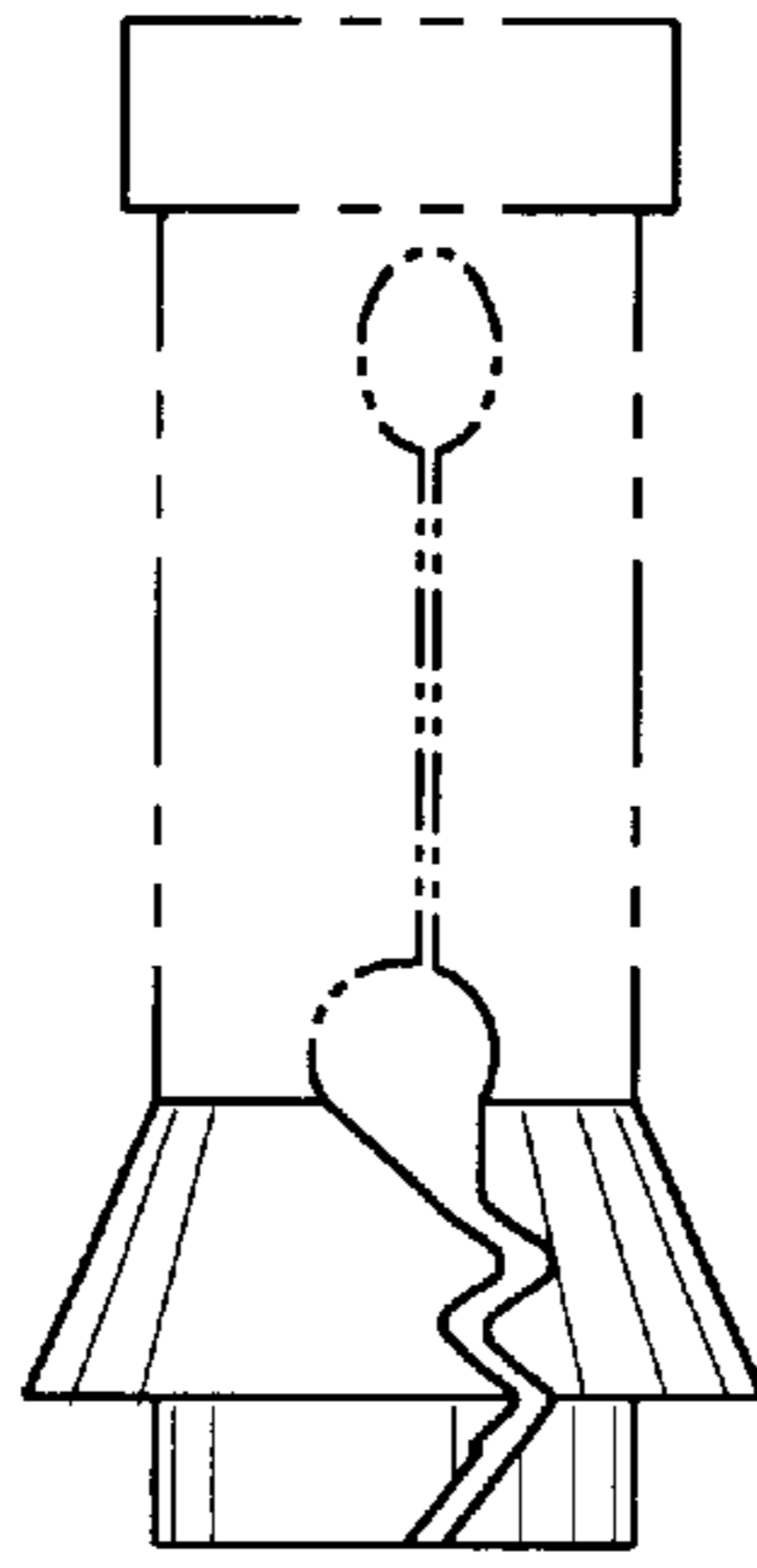


FIG. 5

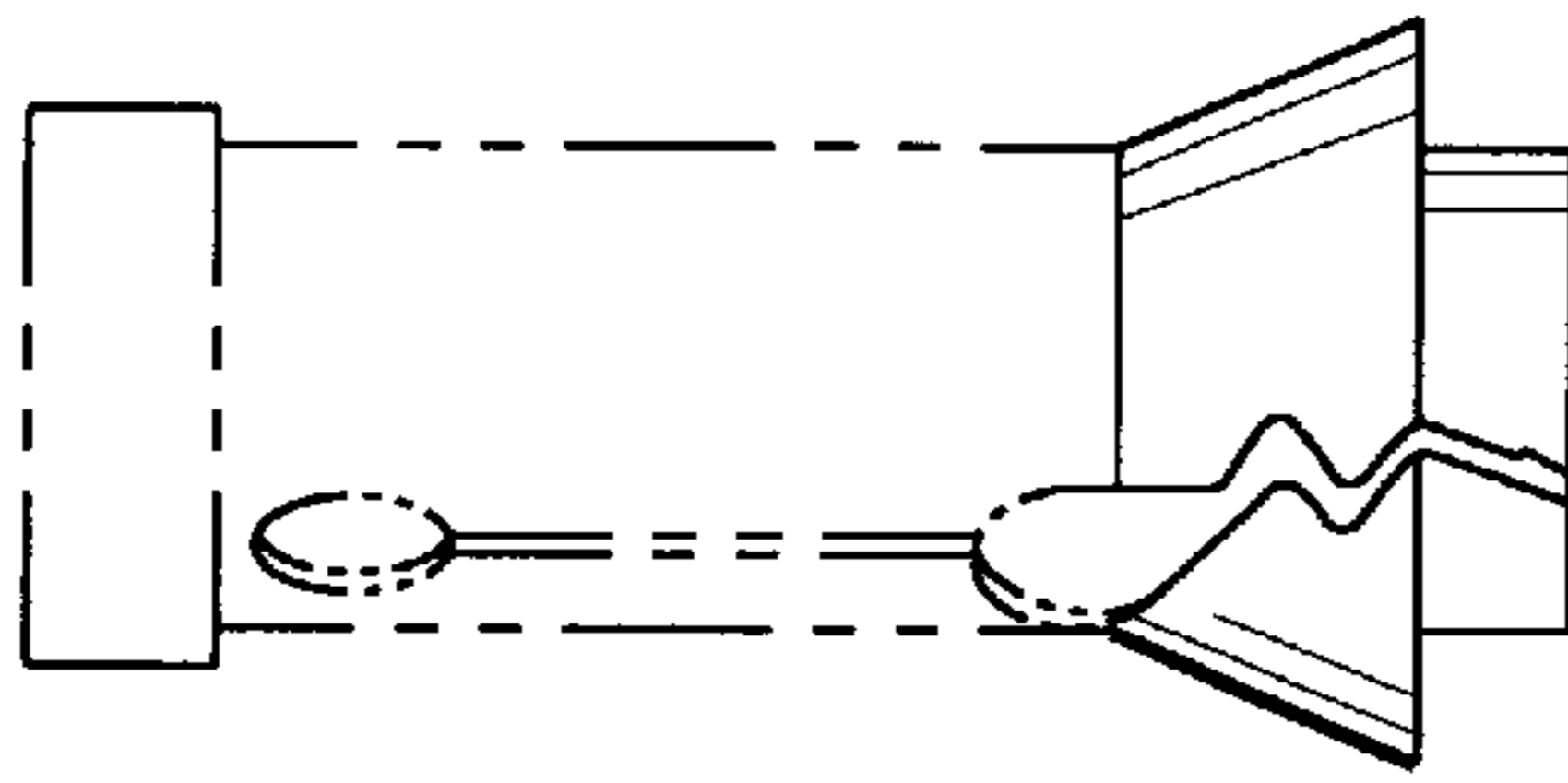


FIG. 3

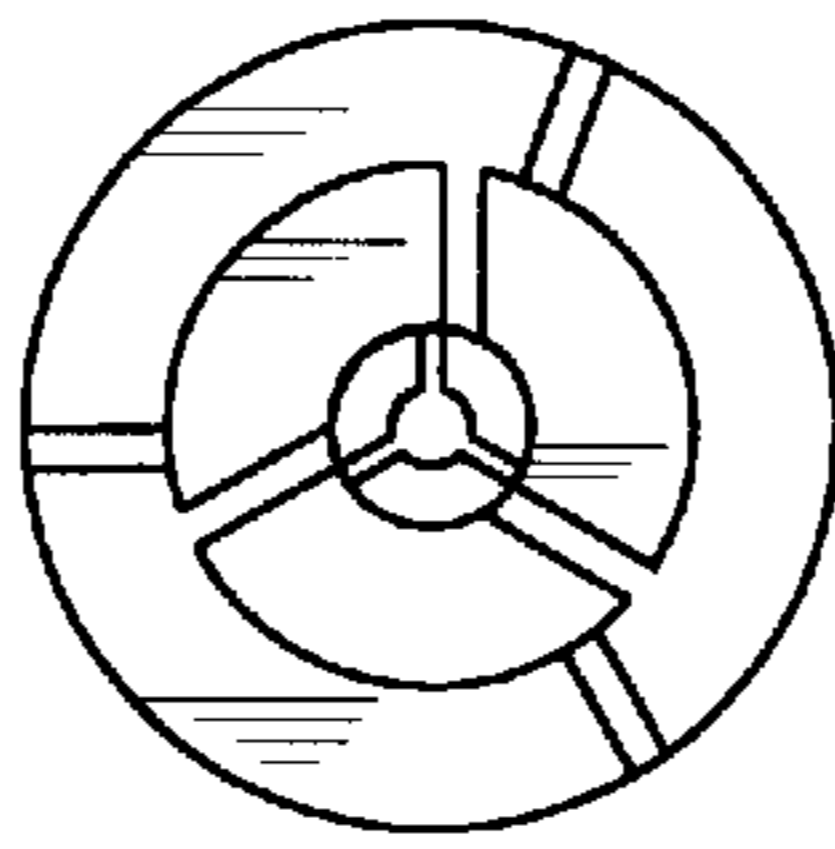


FIG. 2

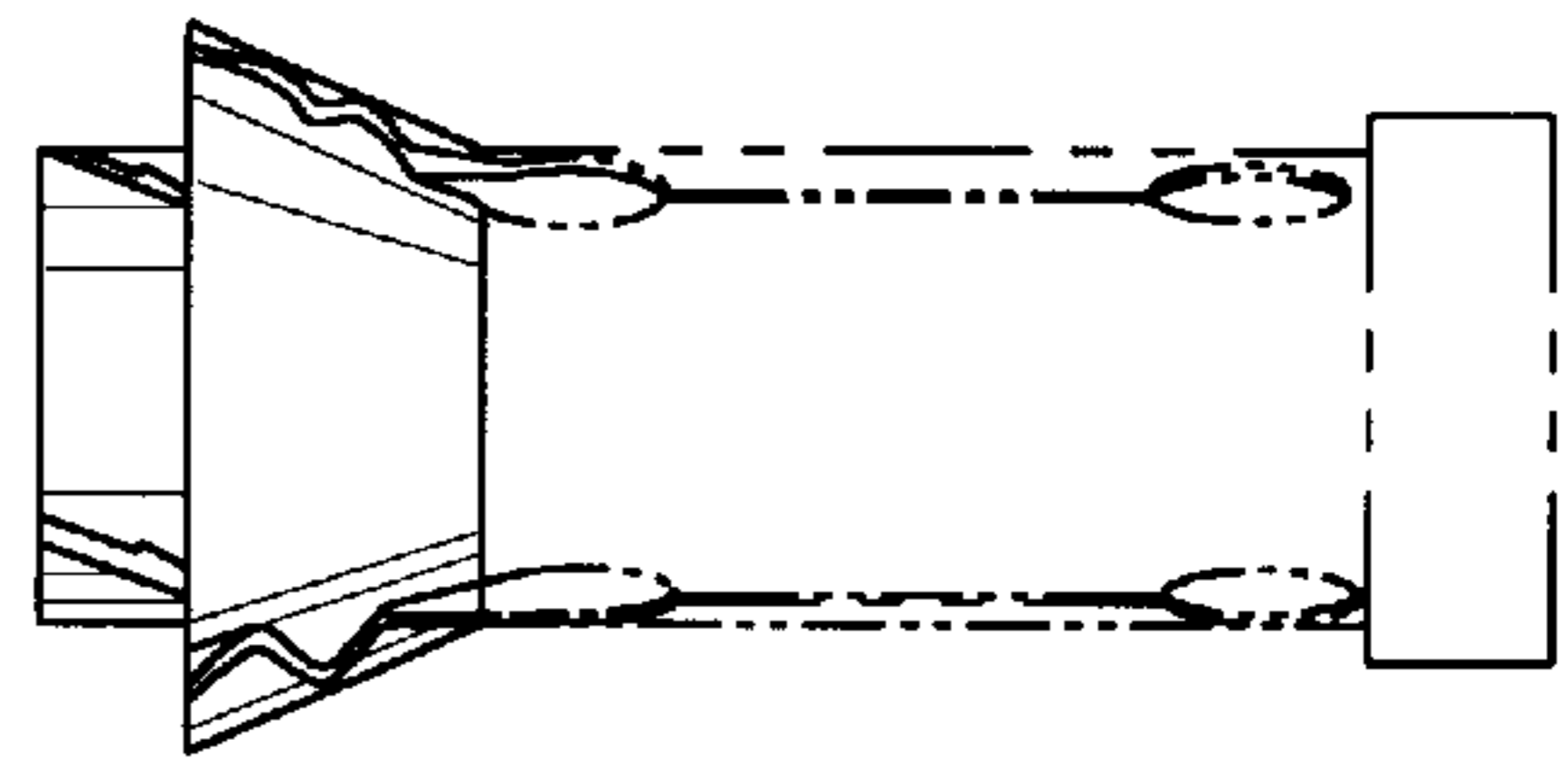


FIG. 4

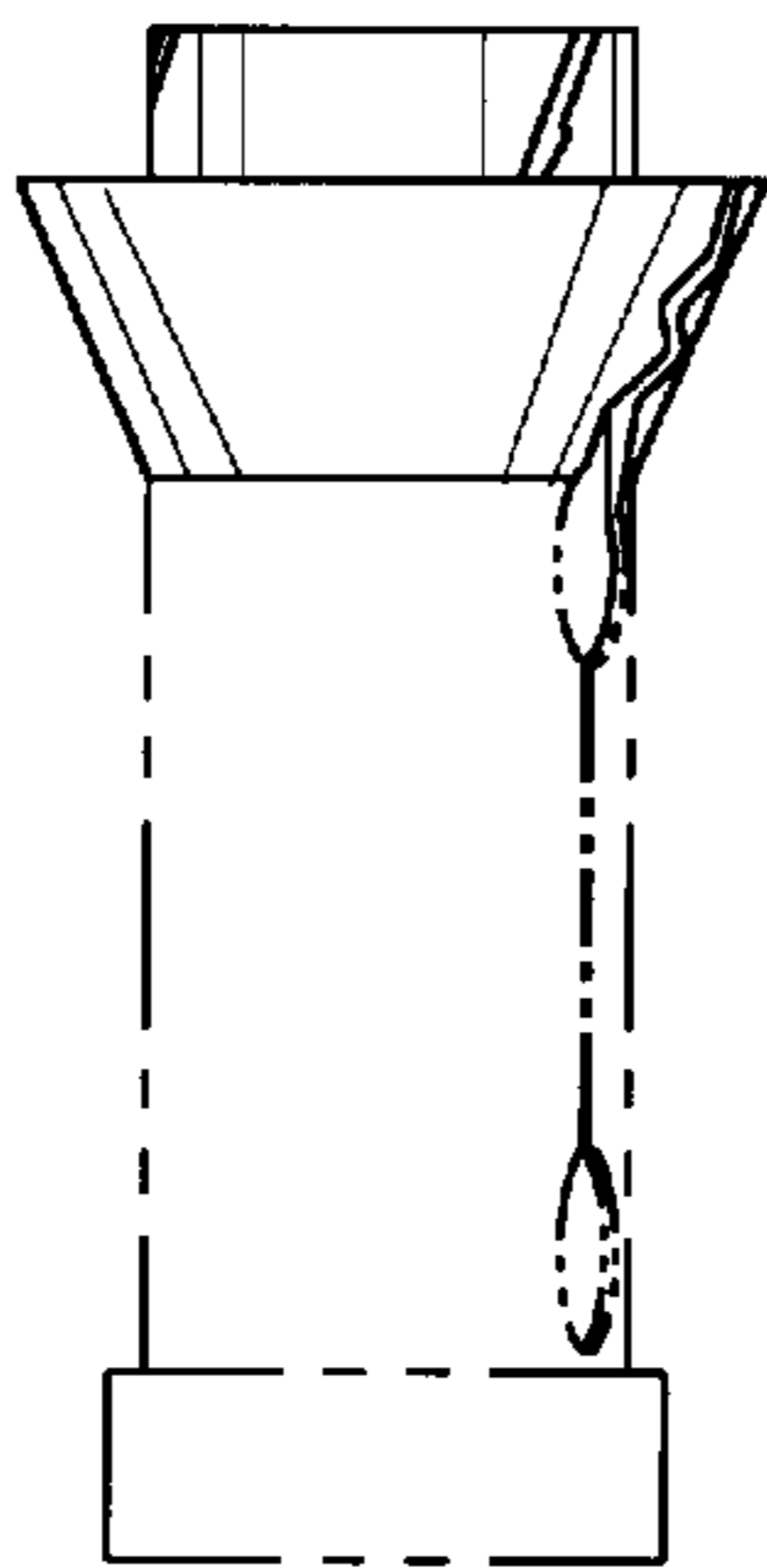


FIG. 6

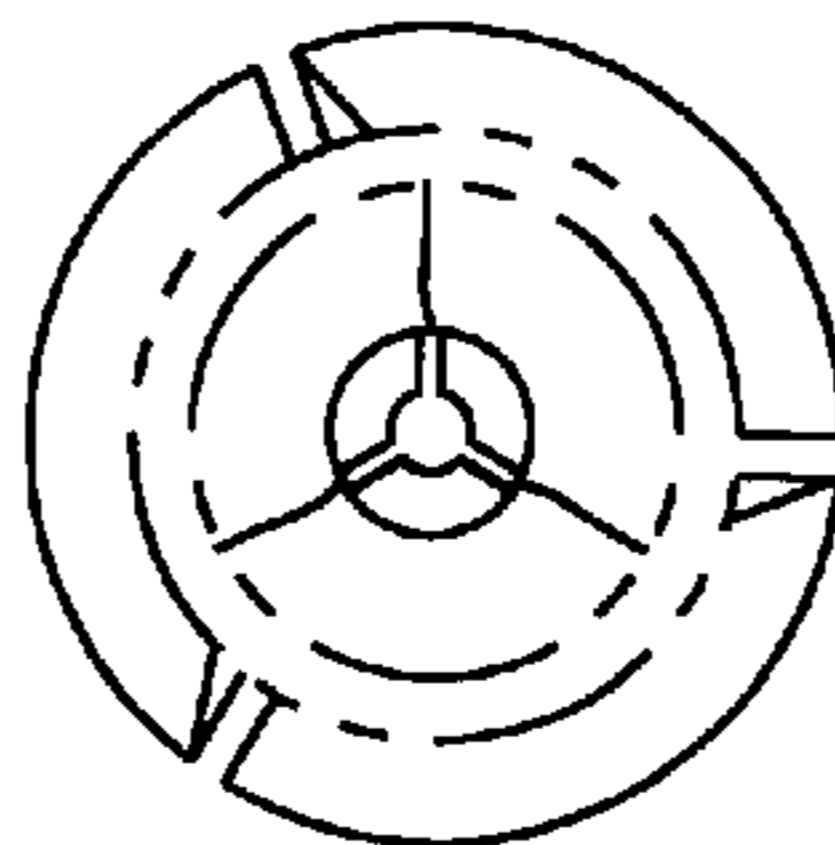


FIG. 7

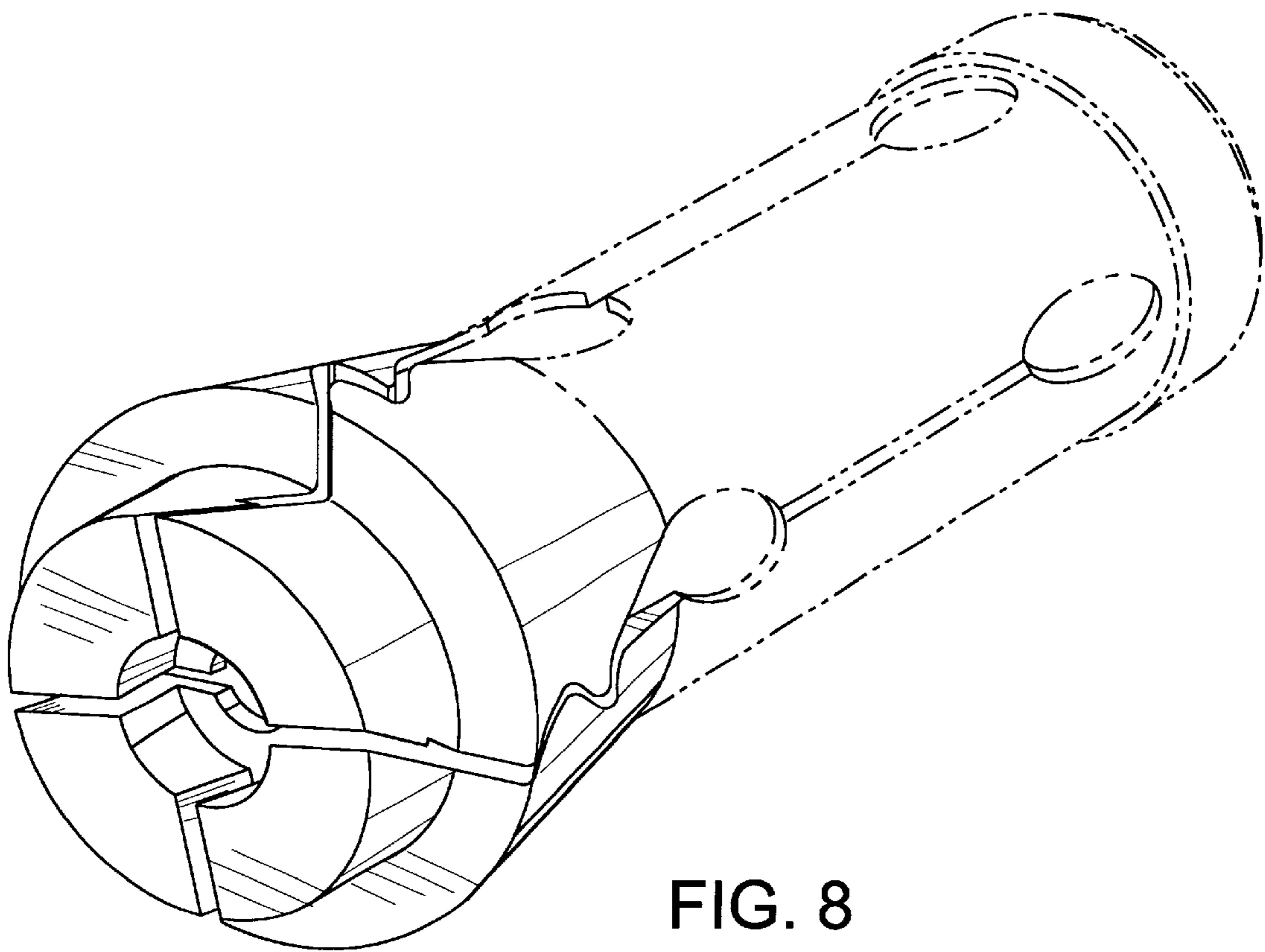


FIG. 8

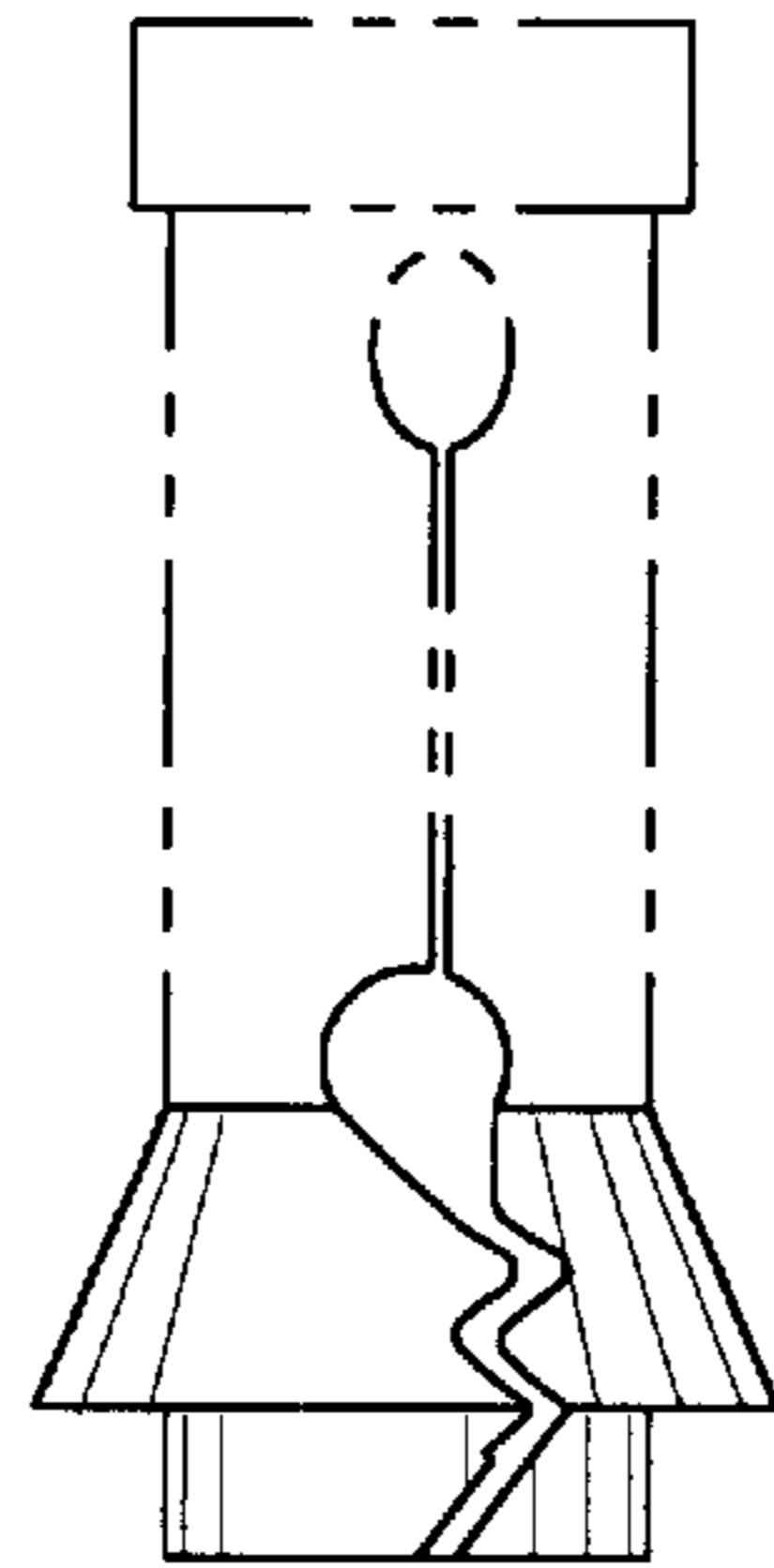


FIG. 12

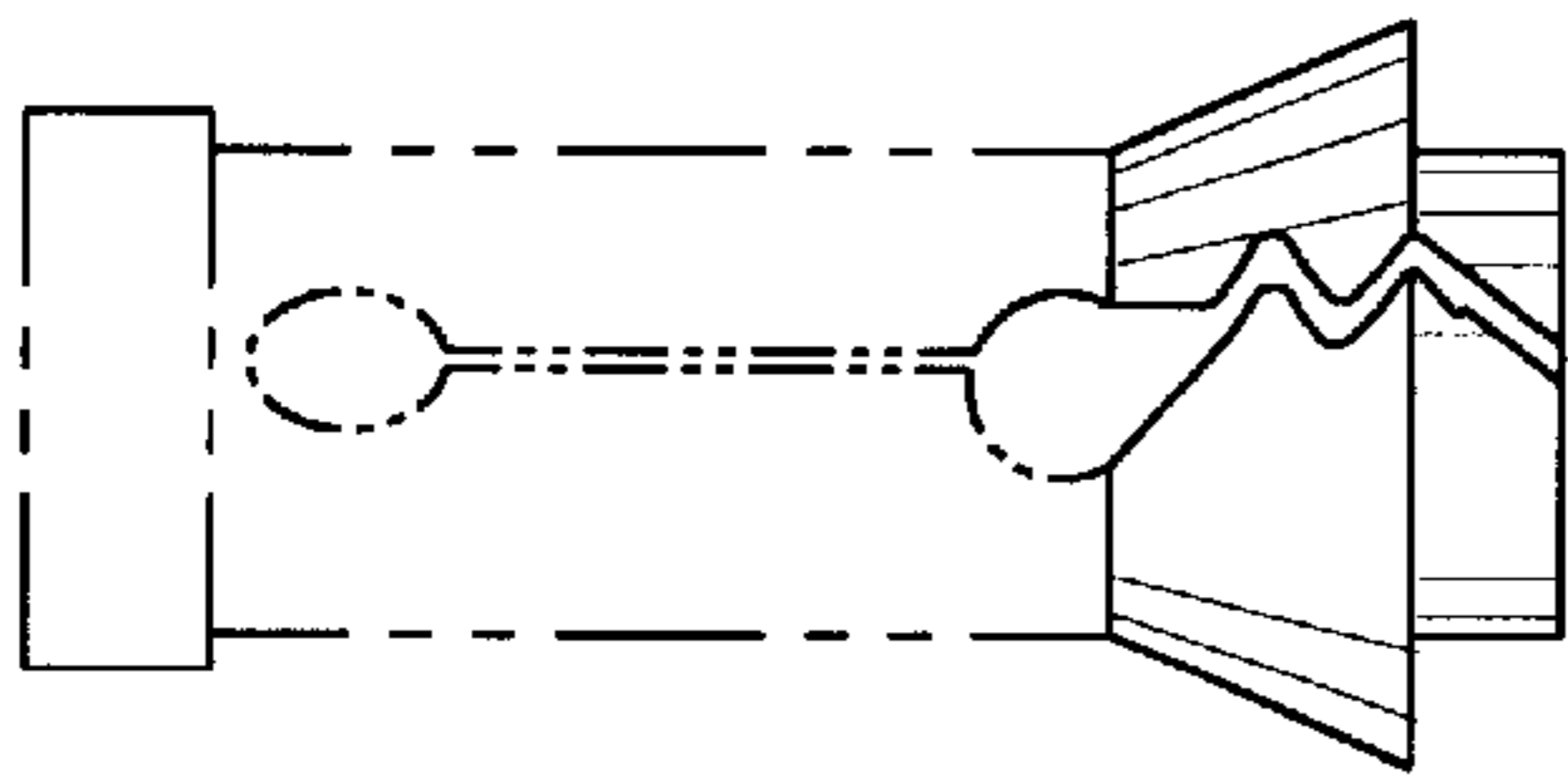


FIG. 10

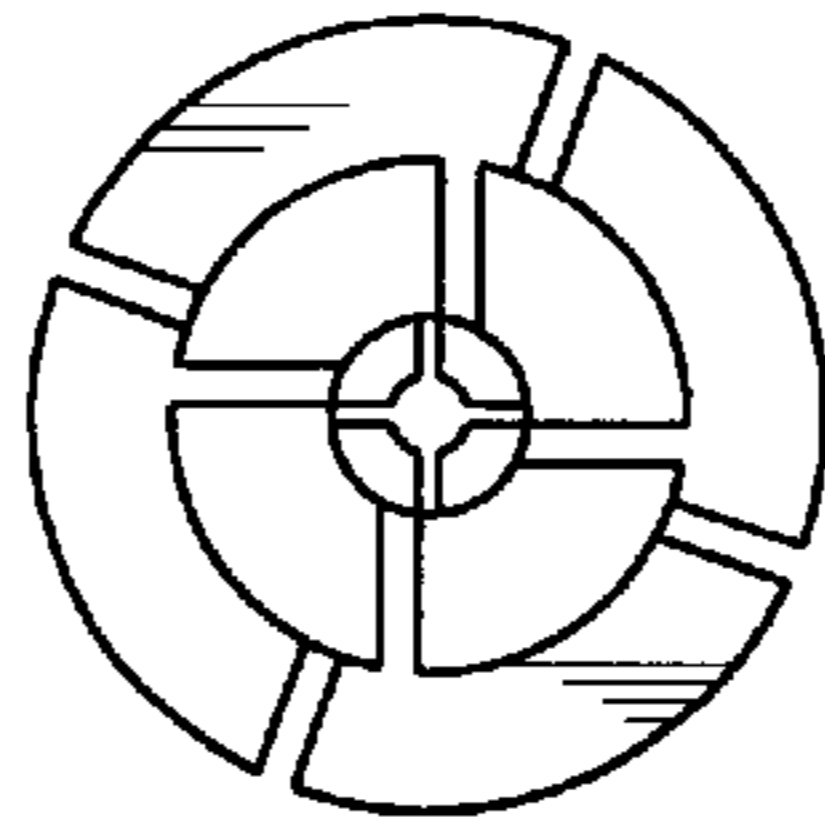


FIG. 9

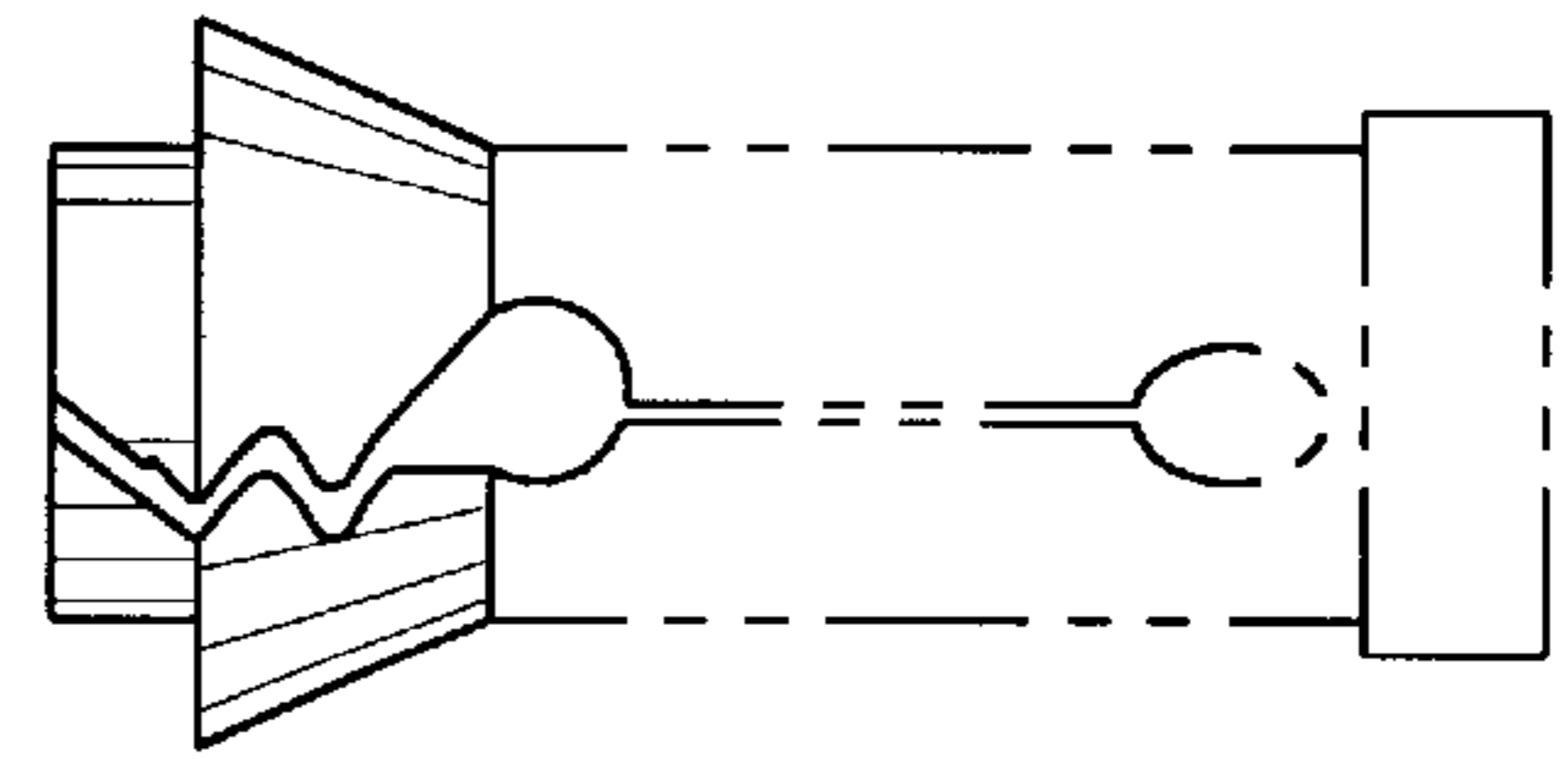


FIG. 11

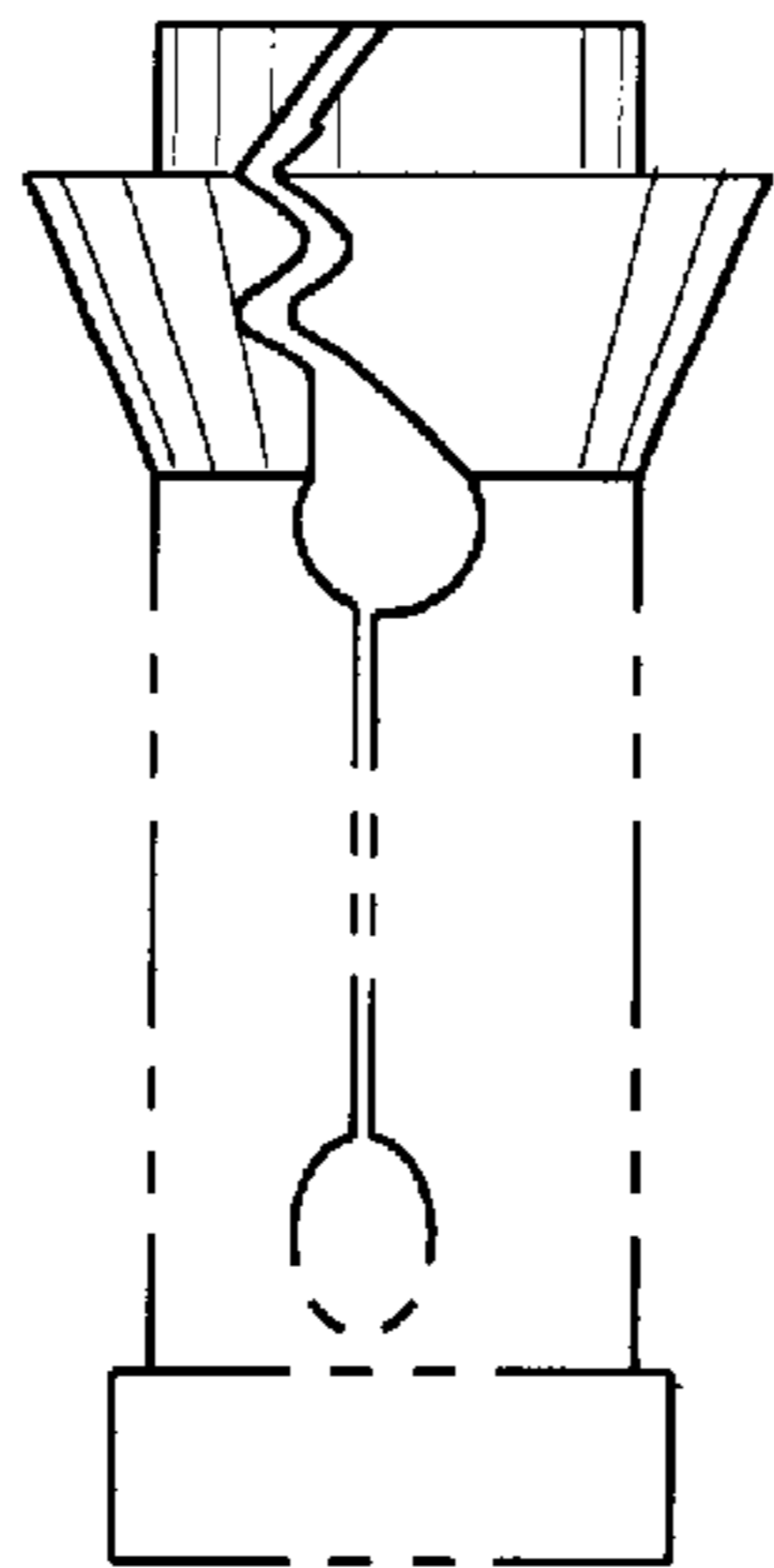


FIG. 13

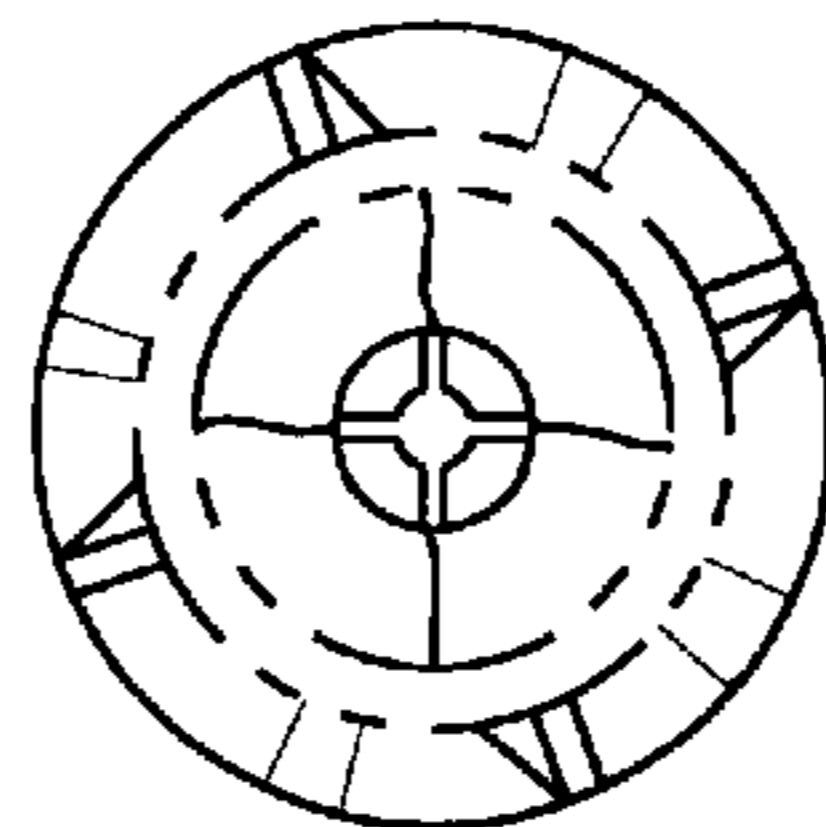


FIG. 14