



US00D455160S

(12) **United States Design Patent**
Choi

(10) **Patent No.:** **US D455,160 S**

(45) **Date of Patent:** **** Apr. 2, 2002**

(54) **REFRIGERATOR CONTROL UNIT**

(75) **Inventor:** **Tai Choi, Lafayette, CA (US)**

(73) **Assignee:** **Jimex Corporation, Alameda Point, CA (US)**

(**) **Term:** **14 Years**

(21) **Appl. No.:** **29/128,286**

(22) **Filed:** **Aug. 22, 2000**

(51) **LOC (7) Cl.** **15-07**

(52) **U.S. Cl.** **D15/89**

(58) **Field of Search** D15/89, 79, 81,
D15/83, 85, 88; 312/139.2, 326

(56) **References Cited**

U.S. PATENT DOCUMENTS

D207,928 S * 6/1967 Rundell D15/85

D308,212 S * 5/1990 Dallman D15/85

D309,122 S * 7/1990 Biemolt D15/81

D326,663 S * 6/1992 Kim D15/85

* cited by examiner

Primary Examiner—Mitchell Siegel

(74) *Attorney, Agent, or Firm*—Dergosits & Noah LLP

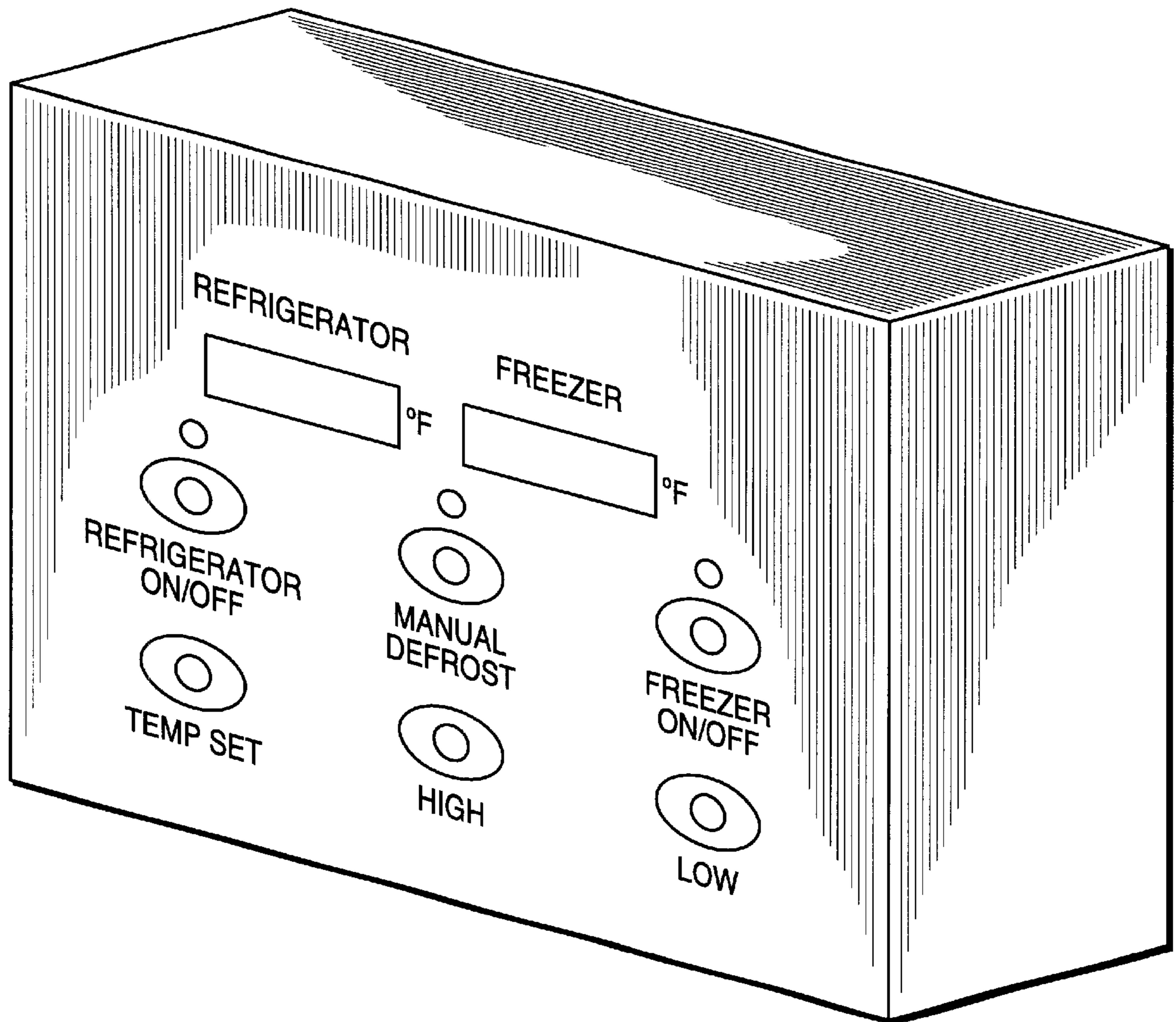
(57) **CLAIM**

The ornamental design for a refrigerator control unit, as described and shown in FIGS. 1 through 4, inclusive.

DESCRIPTION

FIG. 1 is a front elevational view of the refrigerator control unit according to the present invention; FIG. 2 is a perspective view thereof; FIG. 3 is a reduced perspective view thereof; and, FIG. 4 is a side view of FIG. 1.

1 Claim, 4 Drawing Sheets



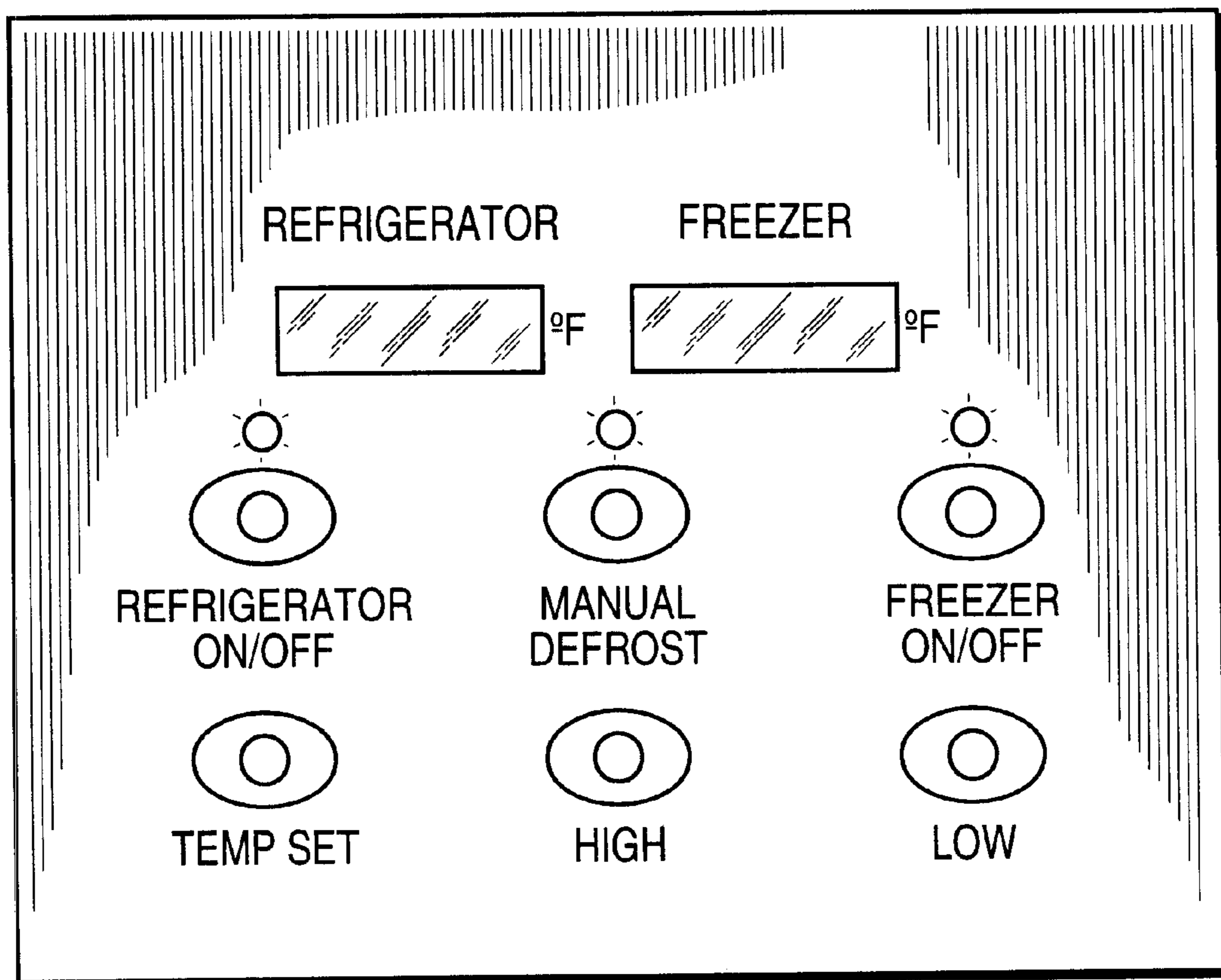


FIG. 1

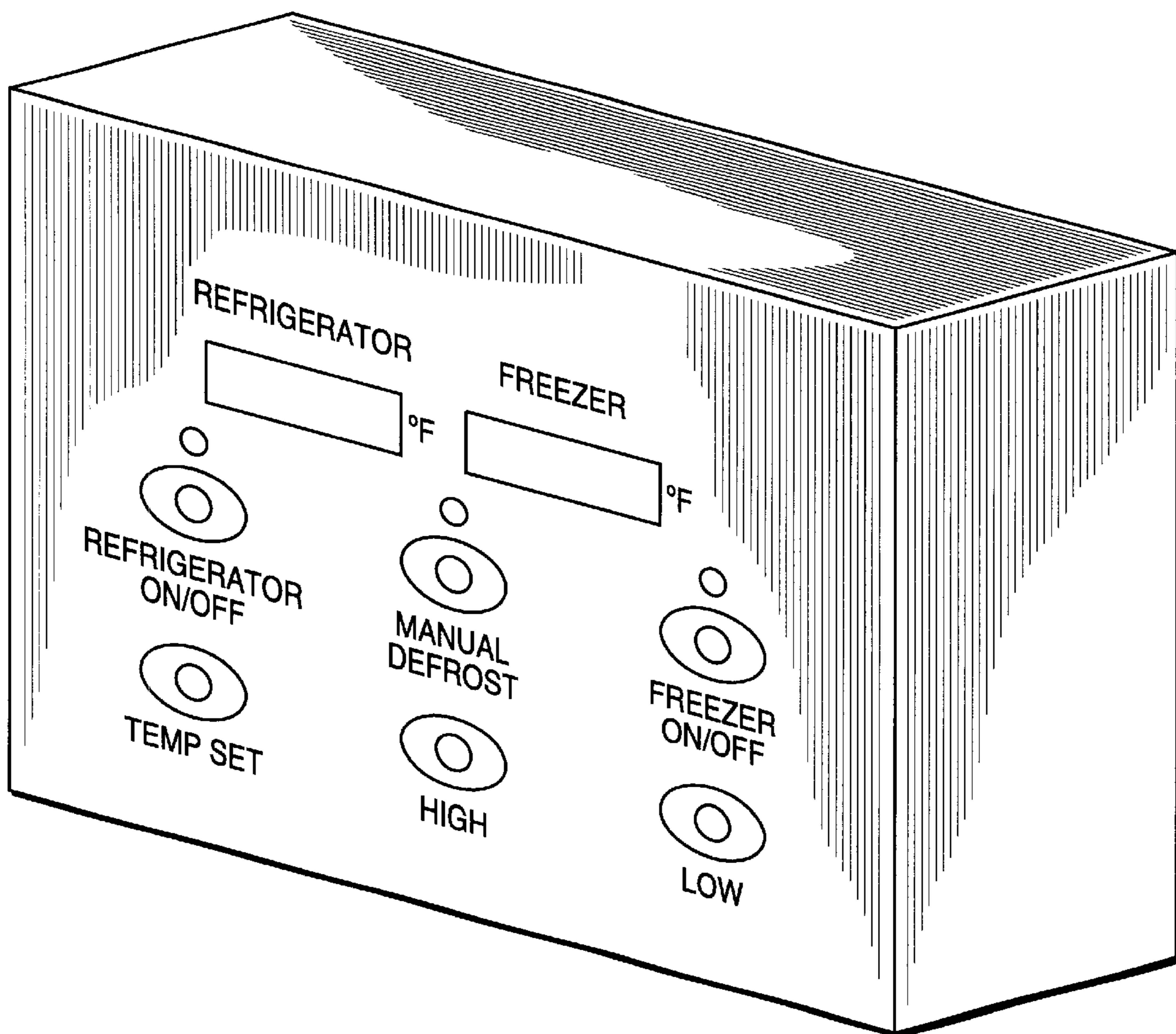


FIG.2

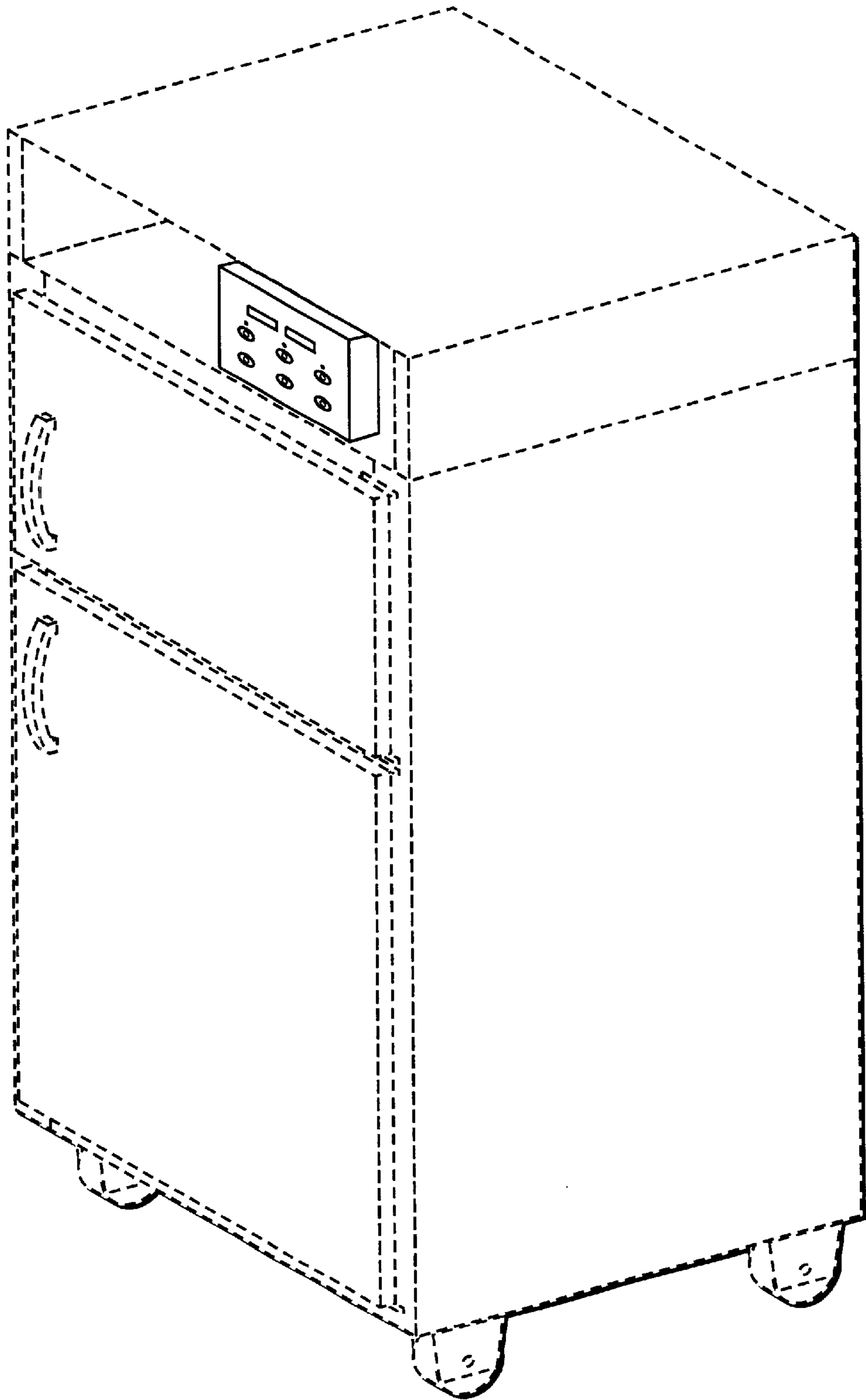


FIG.3

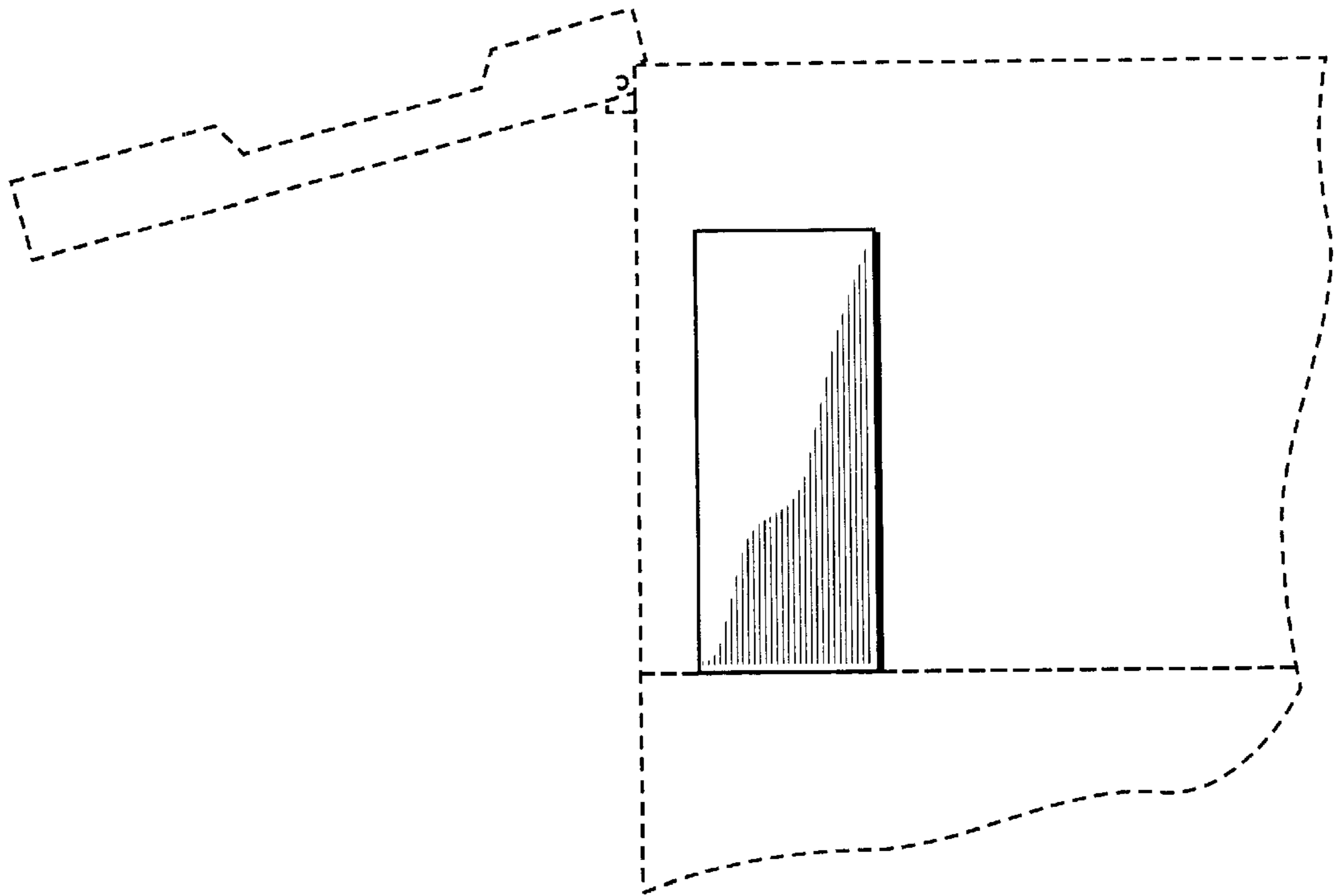


FIG.4