



US00D455158S

(12) **United States Design Patent**  
**Gray et al.**

(10) **Patent No.:** **US D455,158 S**

(45) **Date of Patent:** **\*\* Apr. 2, 2002**

(54) **ICE BIN**

(75) Inventors: **Tomas Gray; Kristopher Miller**, both of Sharpsburg; **Hiroyuki Sugie**, Peachtree City, all of GA (US)

(73) Assignee: **Hoshizaki America, Inc.**, Peachtree City, GA (US)

(\*\*) Term: **14 Years**

(21) Appl. No.: **29/133,872**

(22) Filed: **Dec. 8, 2000**

(51) **LOC (7) Cl.** ..... **15-07**

(52) **U.S. Cl.** ..... **D15/80**

(58) **Field of Search** ..... D15/79, 80, 81, D15/83, 86; 222/457; 62/246-254, 340, 457.1, 344, 138, 302

(56) **References Cited**

**U.S. PATENT DOCUMENTS**

3,165,240	A	*	1/1965	Maquelin	.....	222/457
4,706,466	A	*	11/1987	Yingst et al.	.....	62/138
5,245,841	A	*	9/1993	Paul et al.	.....	62/302
D407,421	S	*	3/1999	Strandell et al.	.....	D15/80

\* cited by examiner

*Primary Examiner*—Mitchell Siegel  
(74) *Attorney, Agent, or Firm*—John S. Pratt, Esq.; Kilpatrick Stockton LLP

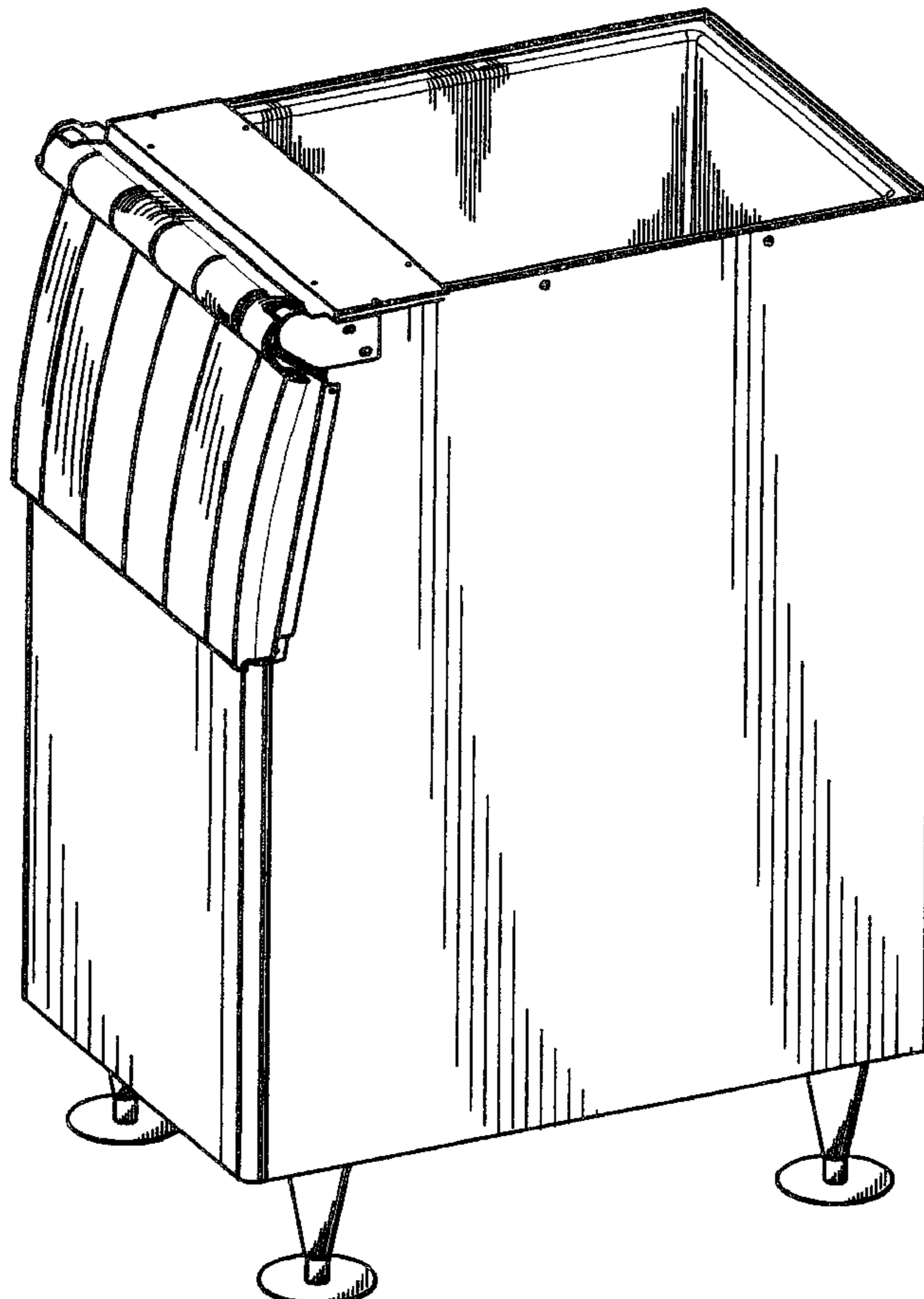
(57) **CLAIM**

The ornamental design for an ice bin, as shown and described.

**DESCRIPTION**

FIG. 1 is a perspective view showing a first embodiment of our new ice bin design;  
 FIG. 2 is a front view thereof;  
 FIG. 3 is a right side view thereof, the left side elevation view being a mirror image thereof;  
 FIG. 4 is a top view thereof;  
 FIG. 5 is a rear elevation view thereof;  
 FIG. 6 is a perspective view showing a second embodiment thereof;  
 FIG. 7 is a perspective view showing a third embodiment thereof;  
 FIG. 8 is a perspective view showing a fourth embodiment thereof; and,  
 FIG. 9 is a perspective view showing a fifth embodiment thereof.

**1 Claim, 7 Drawing Sheets**



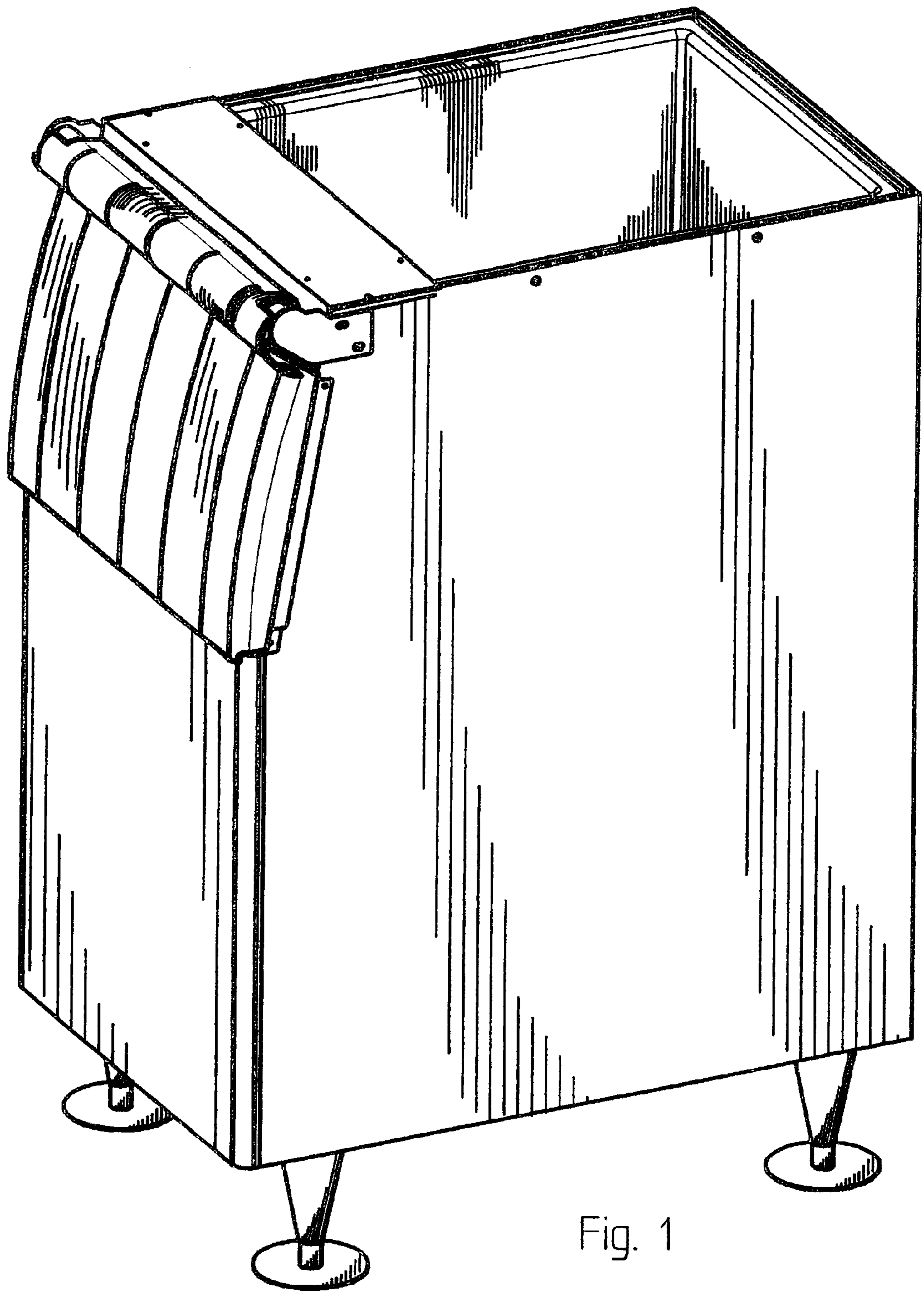


Fig. 1

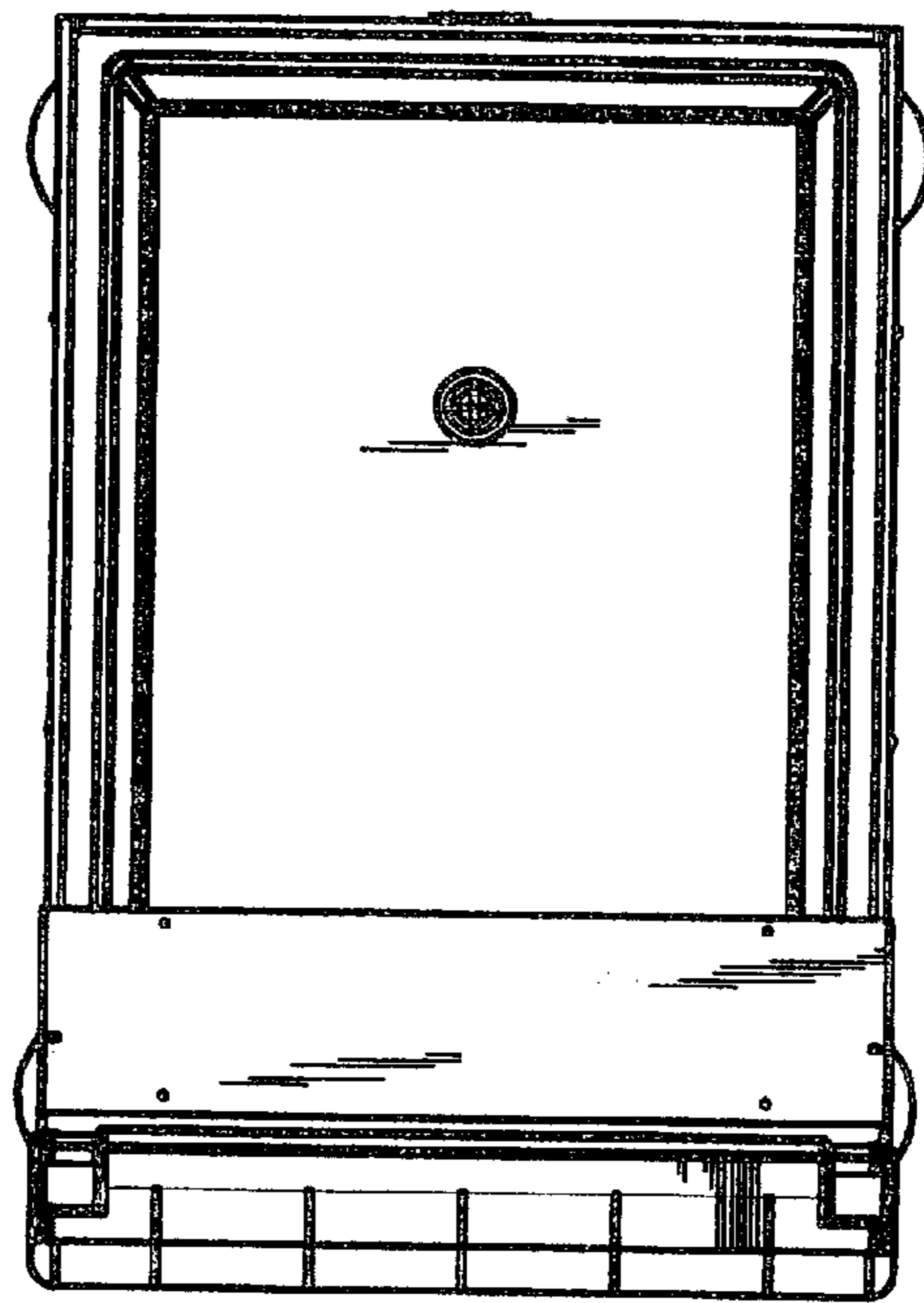


Fig. 4

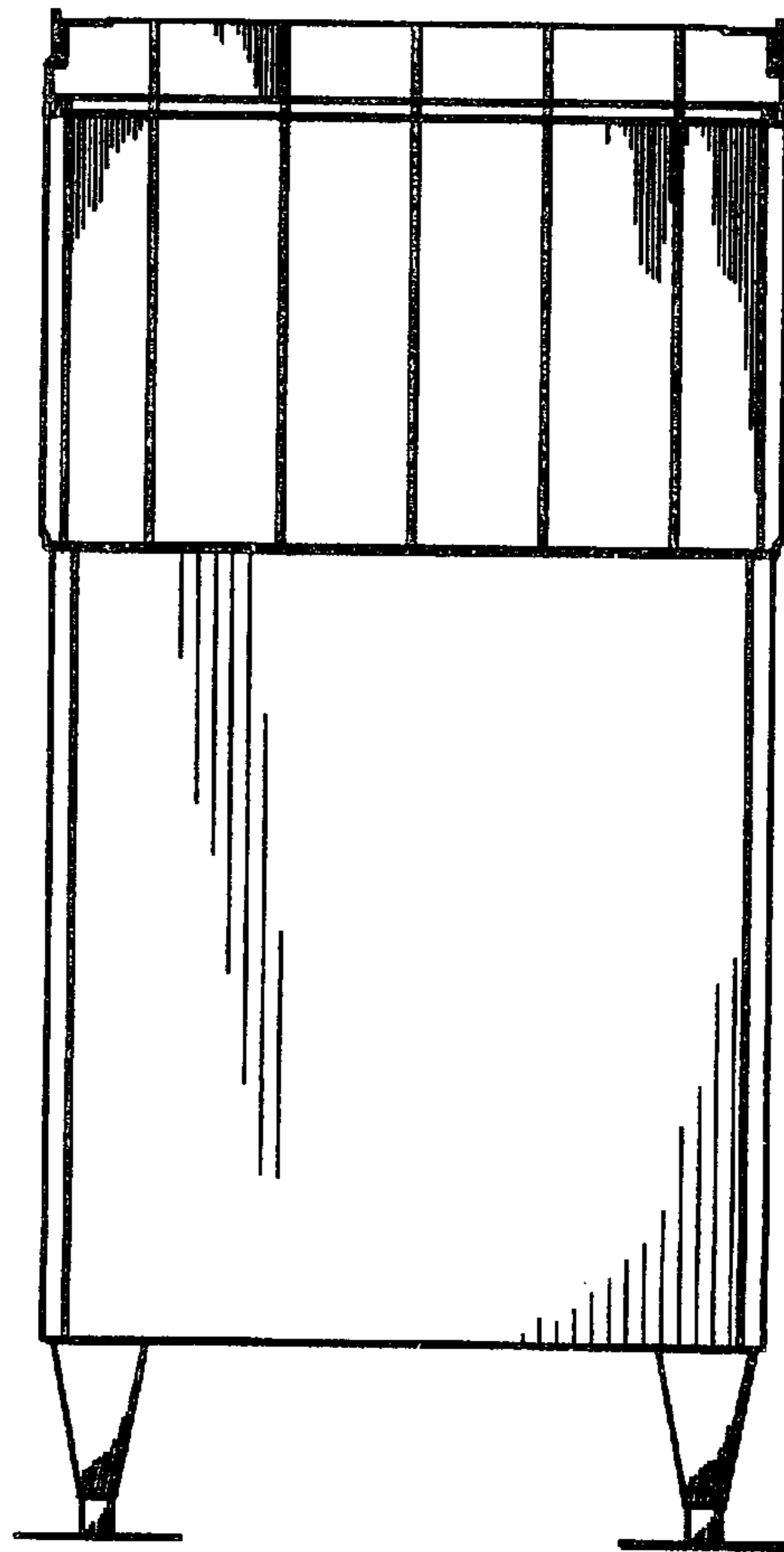


Fig. 2

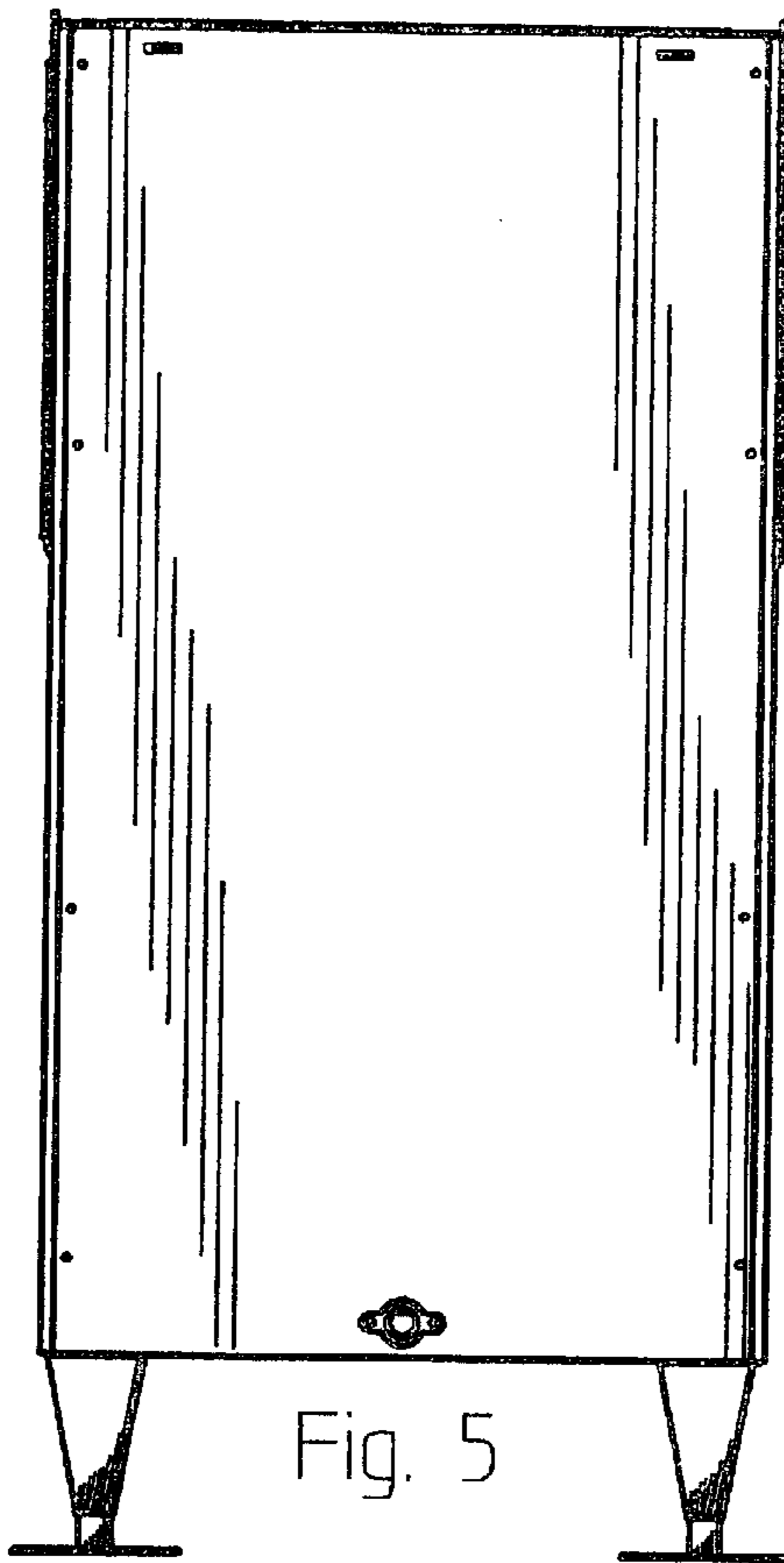


Fig. 5

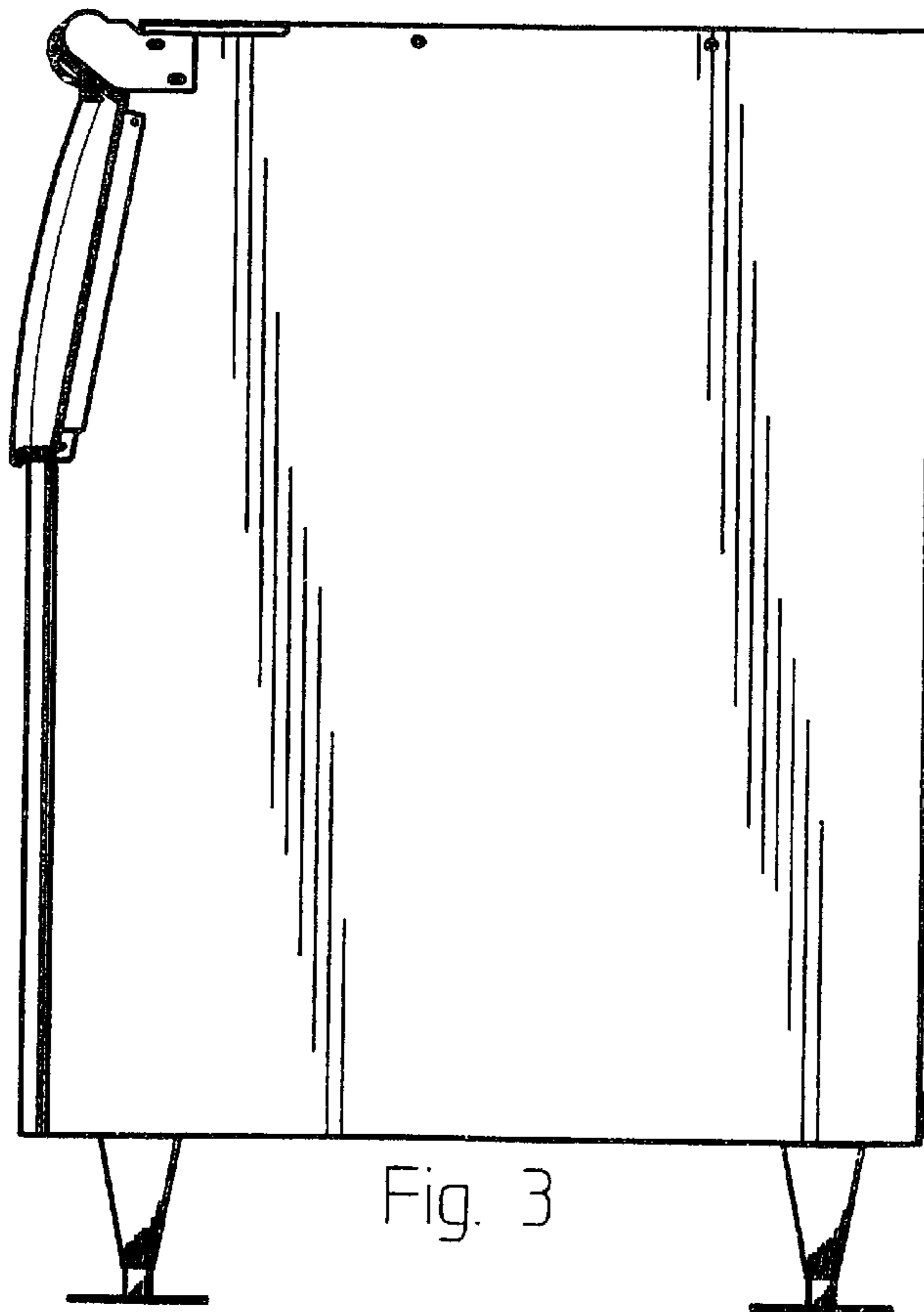


Fig. 3

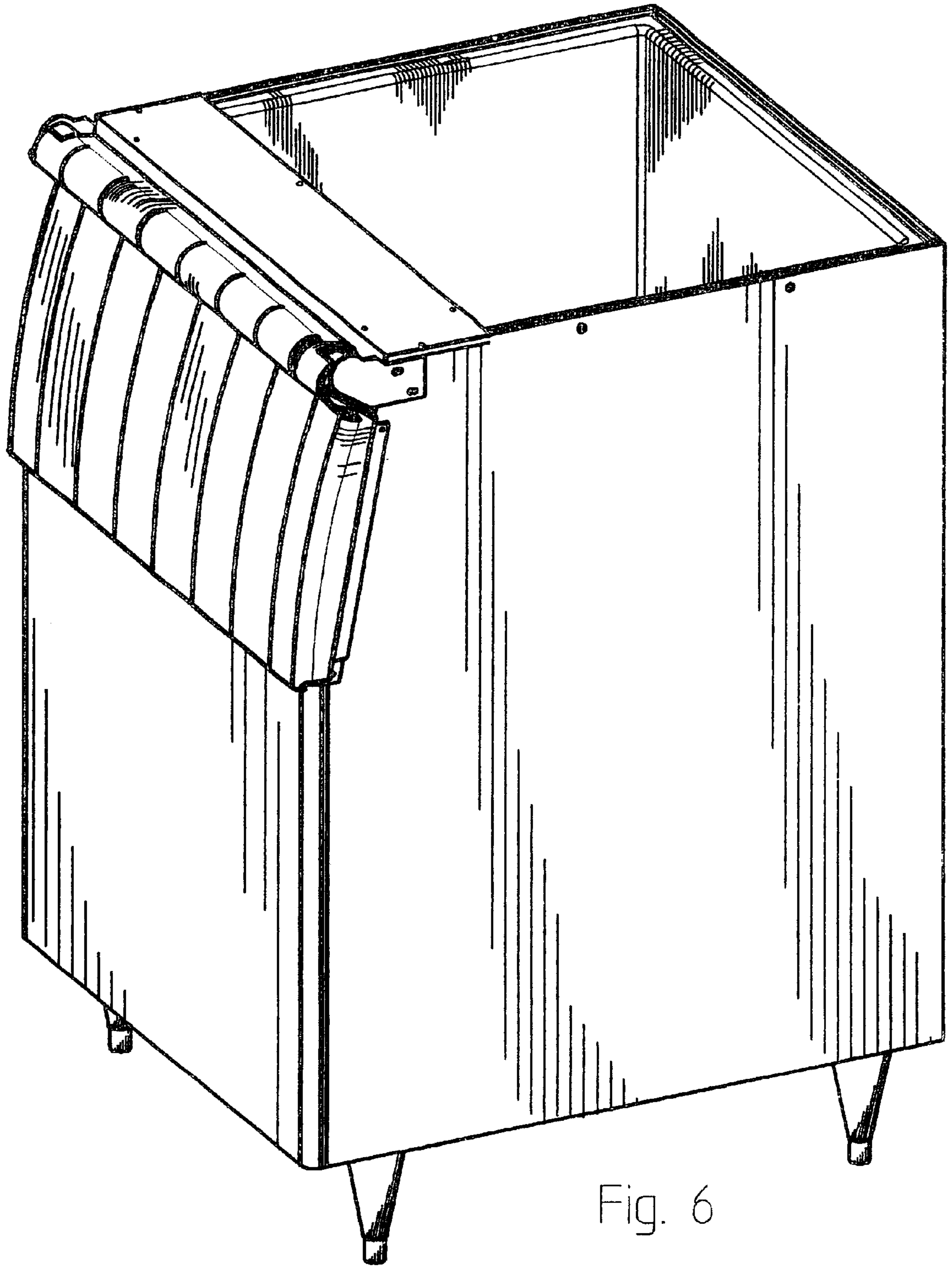


Fig. 6

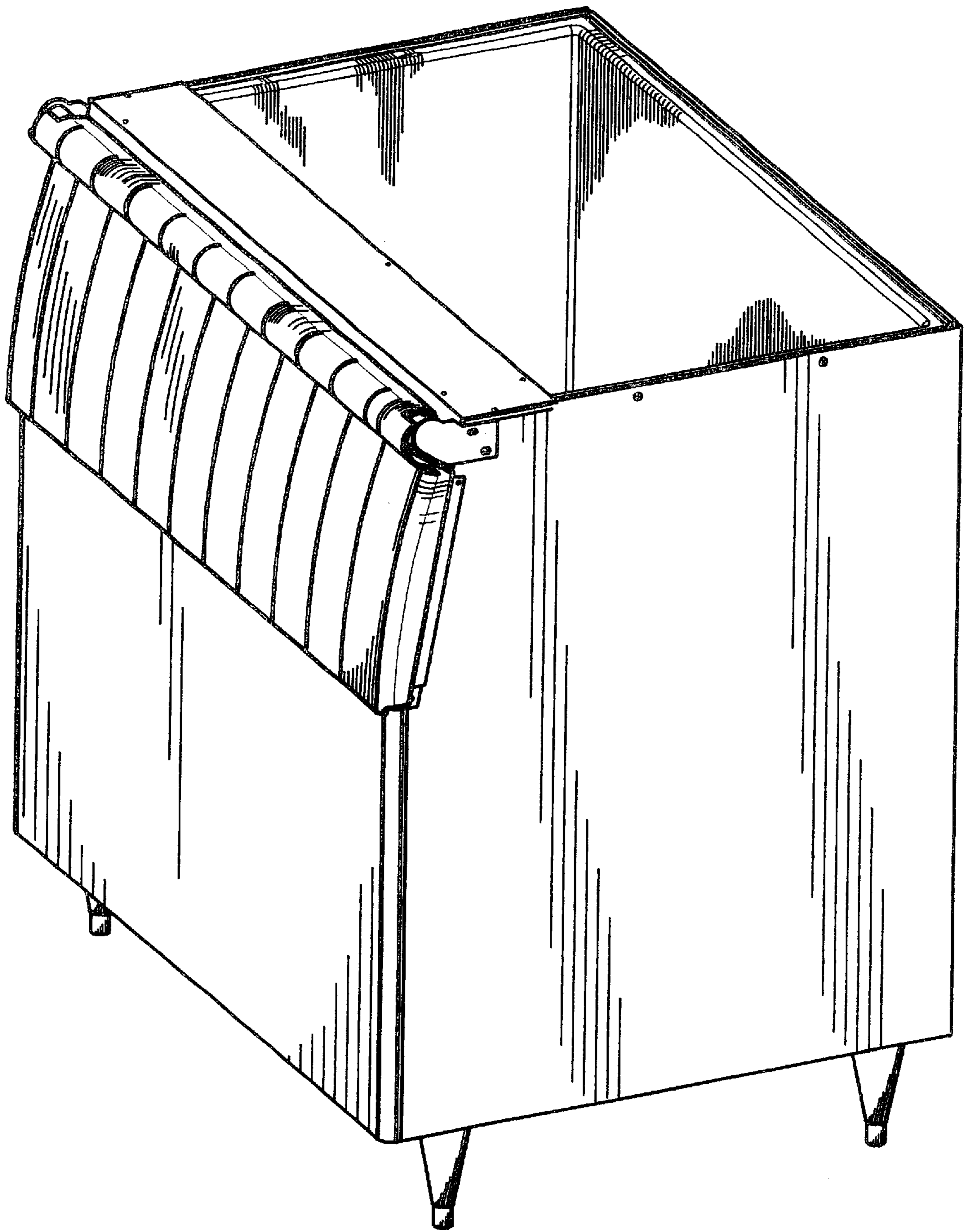


Fig. 7

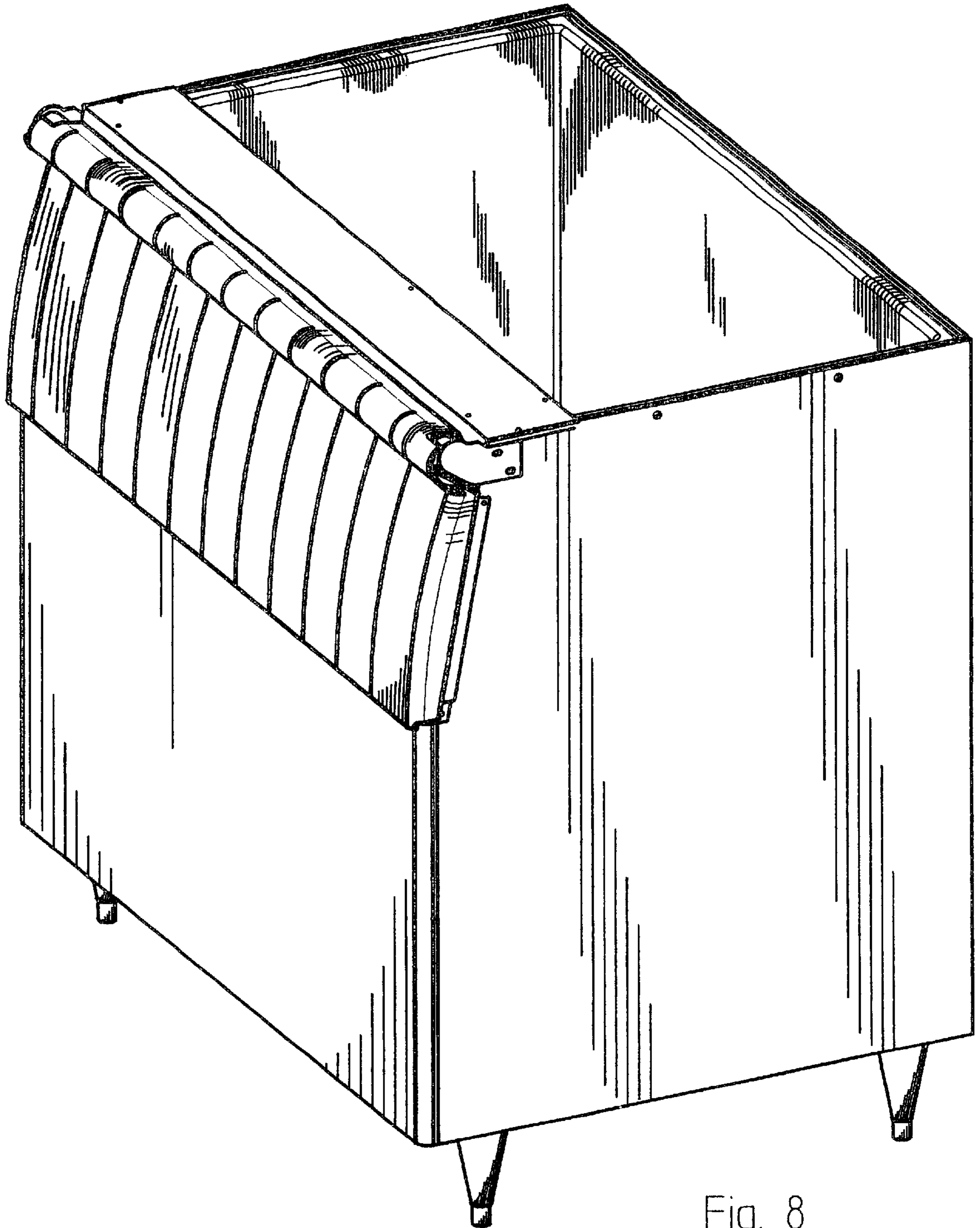


Fig. 8

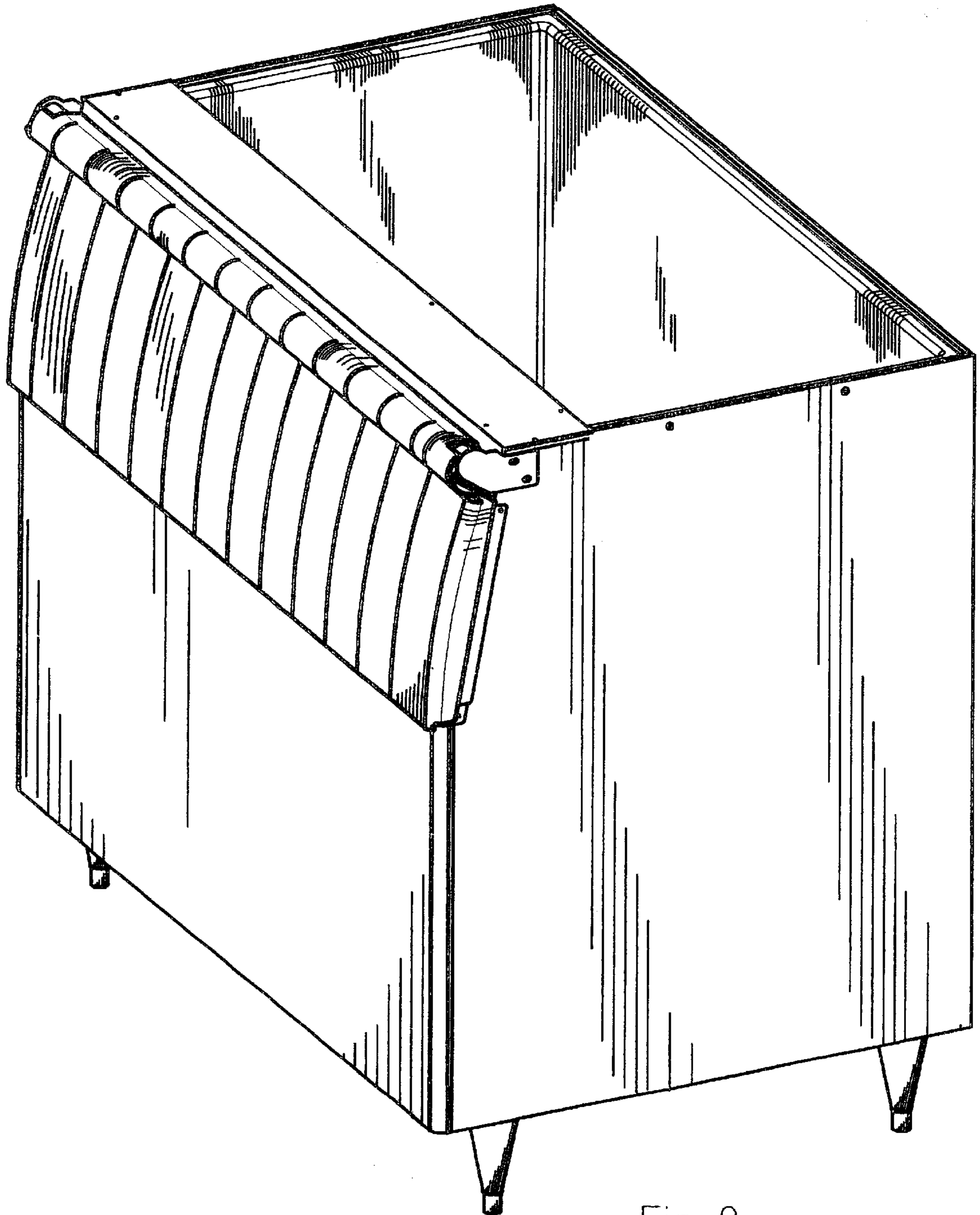


Fig. 9