



US00D455155S

(12) **United States Design Patent**
Wang

(10) **Patent No.:** **US D455,155 S**

(45) **Date of Patent:** **** Apr. 2, 2002**

(54) **AIR PUMP**

(75) **Inventor:** **Chiao-Ming Wang, Taichung Hsien (TW)**

(73) **Assignee:** **Meiko Pet Corporation, Taichung Hsien (TW)**

(**) **Term:** **14 Years**

(21) **Appl. No.:** **29/132,018**

(22) **Filed:** **Nov. 1, 2000**

(51) **LOC (7) Cl.** **15-02**

(52) **U.S. Cl.** **D15/8**

(58) **Field of Search** D15/7-9; 815/8;
210/169, 416.2; D3/106; 417/234, 413.12,
410.12, 411, 424.1, 424.2

(56) **References Cited**

U.S. PATENT DOCUMENTS

D339,356 S * 9/1993 Tsai D15/8
D426,243 S * 6/2000 Wang D15/8

D426,555 S * 6/2000 Wang D15/8

D428,422 S * 7/2000 Wang D15/8

D436,362 S * 1/2001 Yu-chin D15/8

* cited by examiner

Primary Examiner—Ralf Seifert

(74) *Attorney, Agent, or Firm*—Rosenberg, Klein & Lee

(57) **CLAIM**

The ornamental design for a air pump, as shown and described.

DESCRIPTION

FIG. 1 is a perspective view of air pump showing my new design;

FIG. 2 is a front elevational view thereof;

FIG. 3 is a rear elevational view thereof;

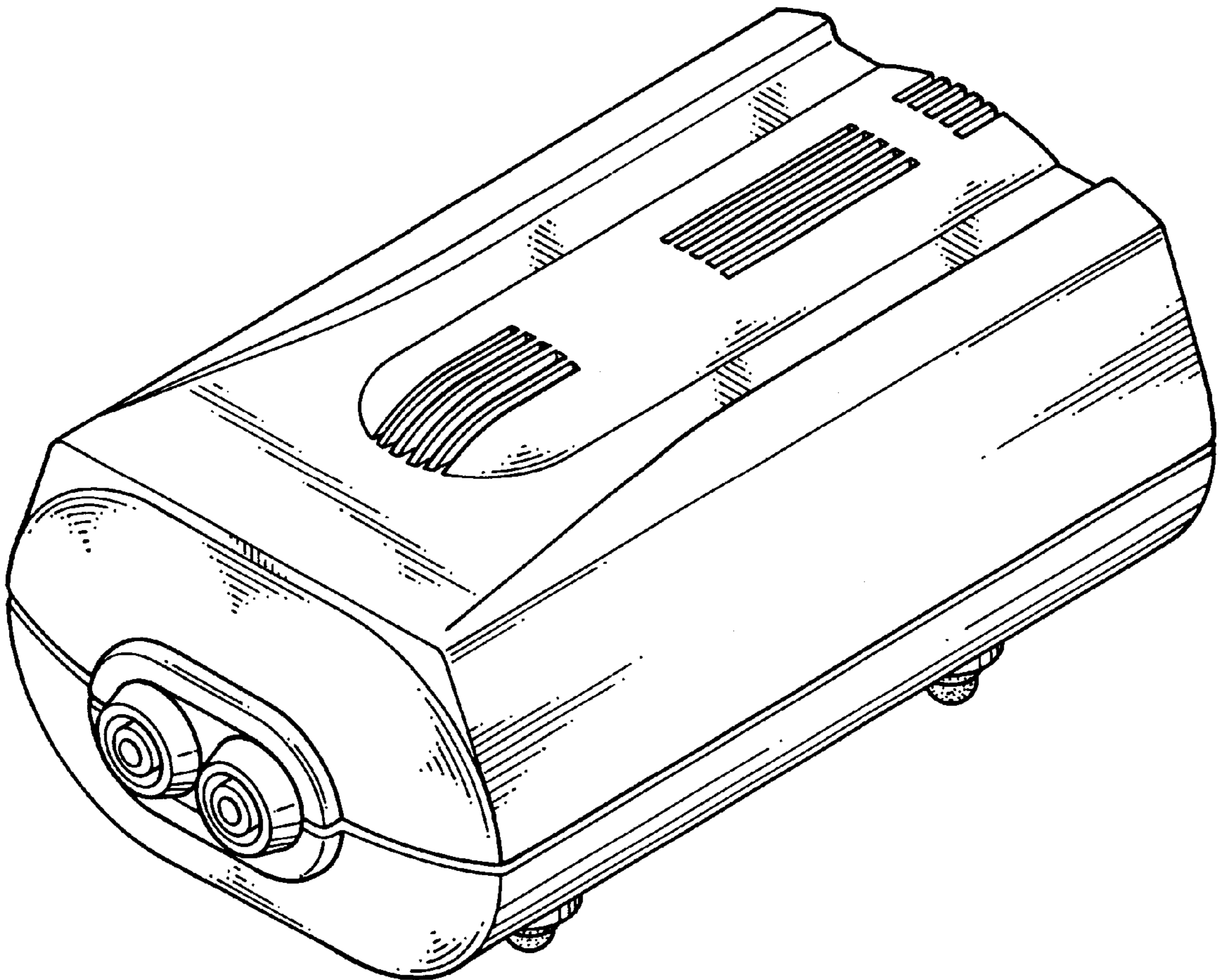
FIG. 4 is a left side elevational view thereof;

FIG. 5 is a right side elevational view thereof;

FIG. 6 is a top plan view thereof; and,

FIG. 7 is a bottom plan view thereof.

1 Claim, 4 Drawing Sheets



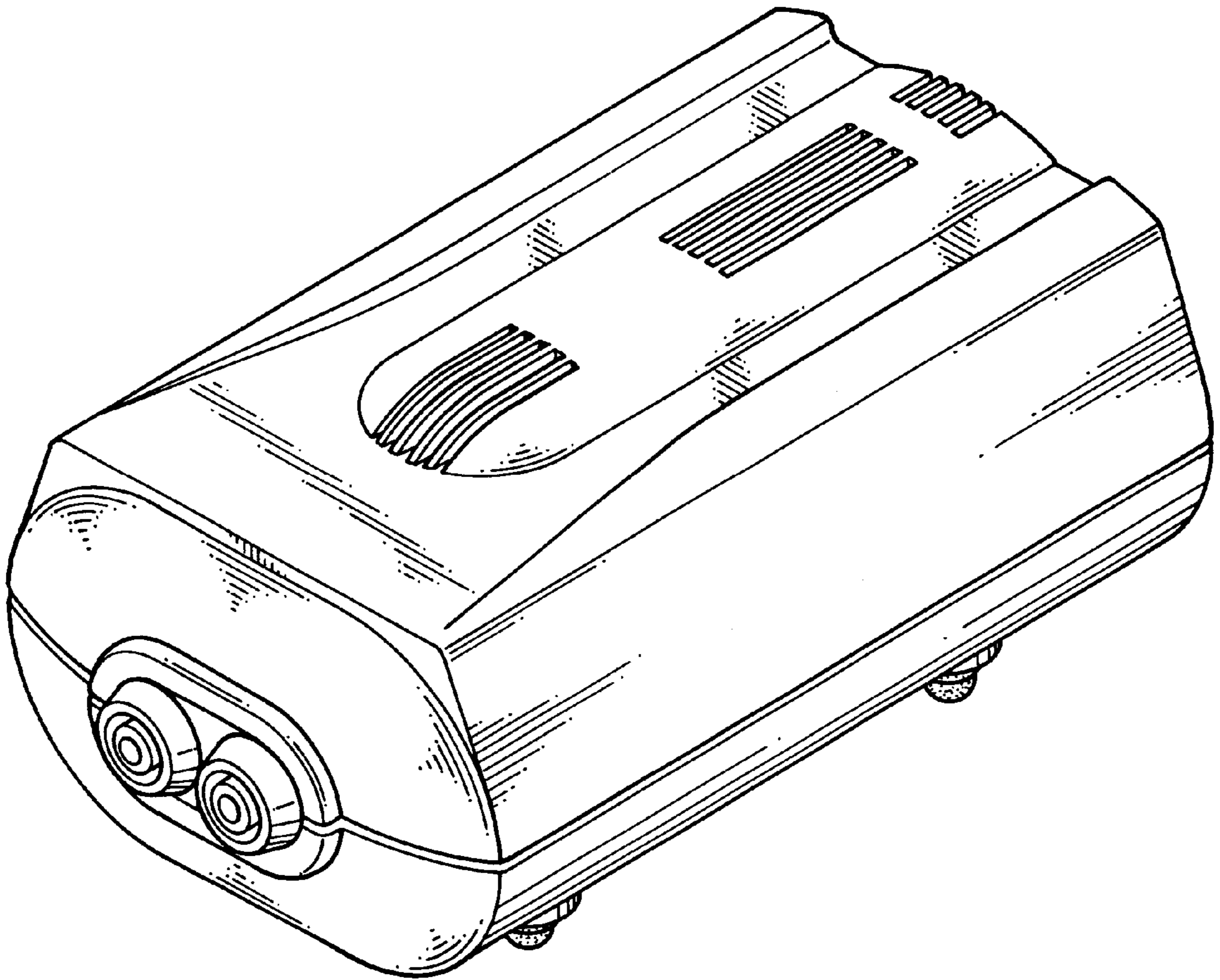


FIG. 1

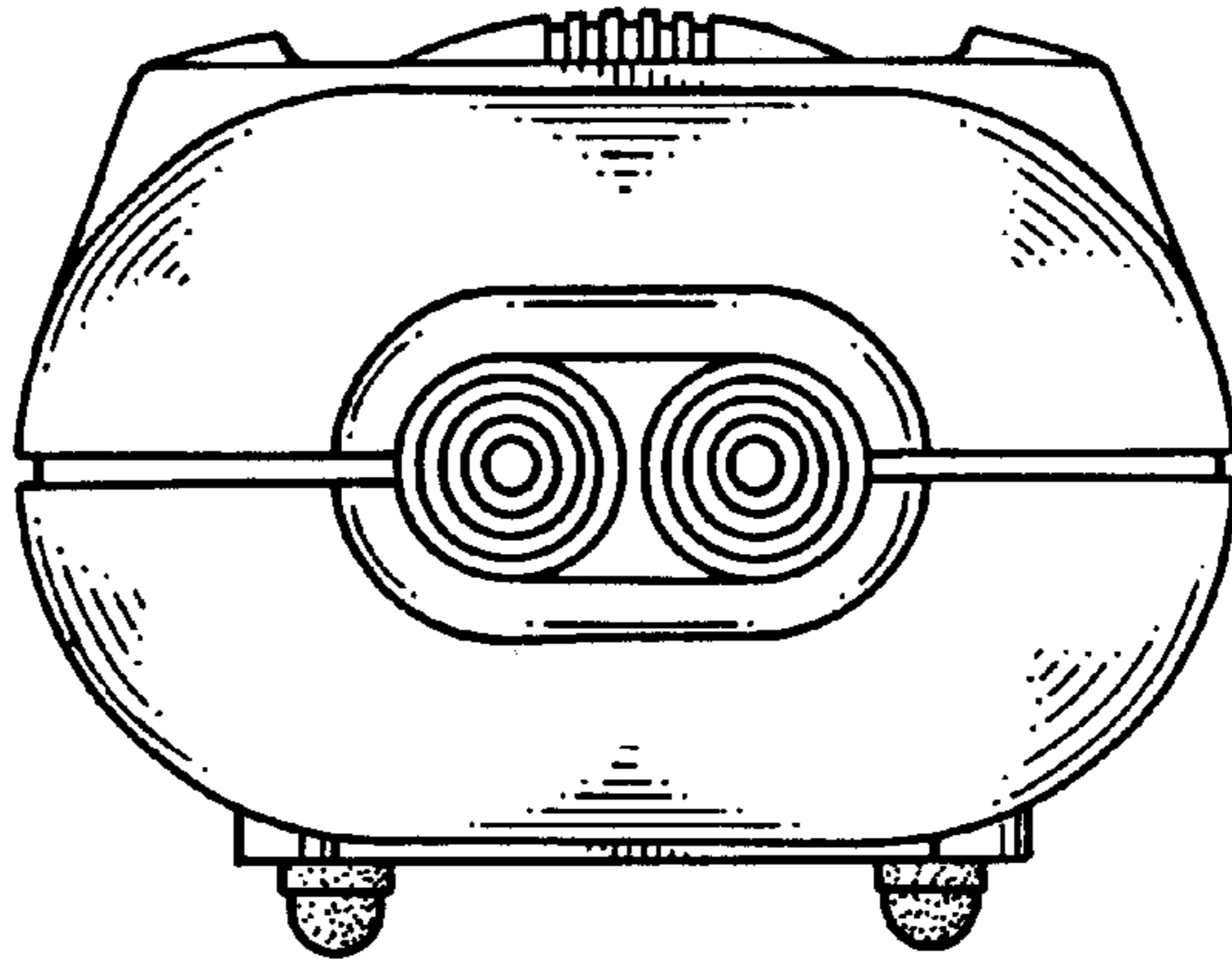


FIG. 2

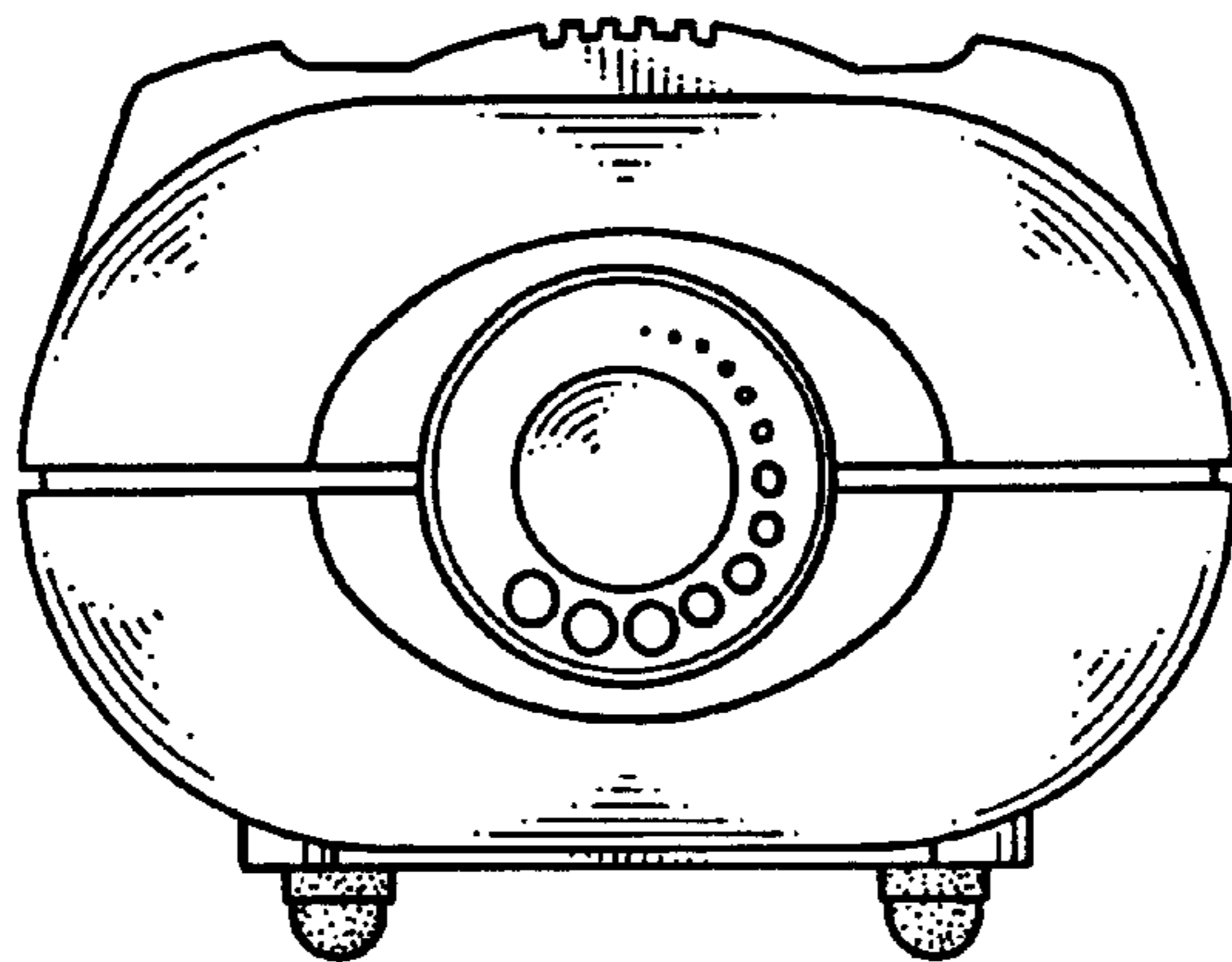


FIG. 3

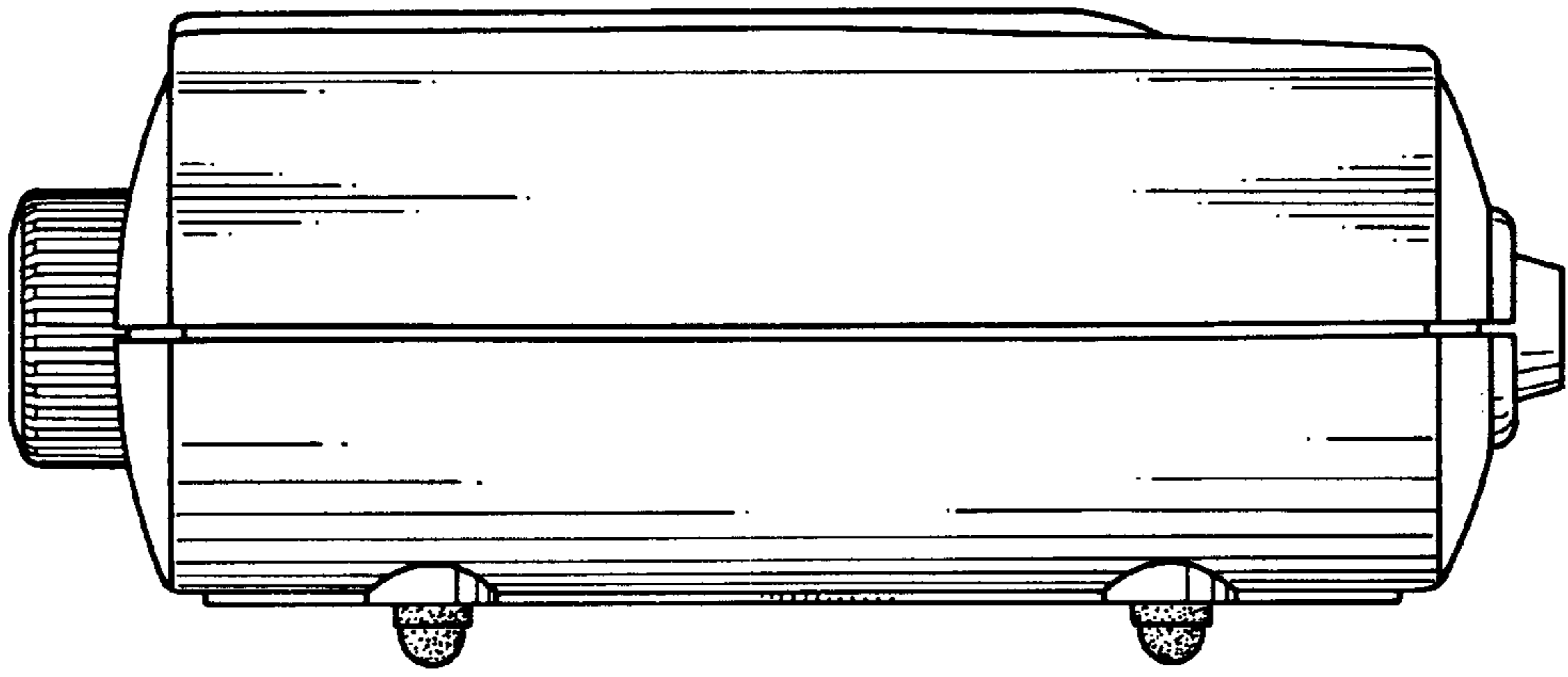


FIG. 4

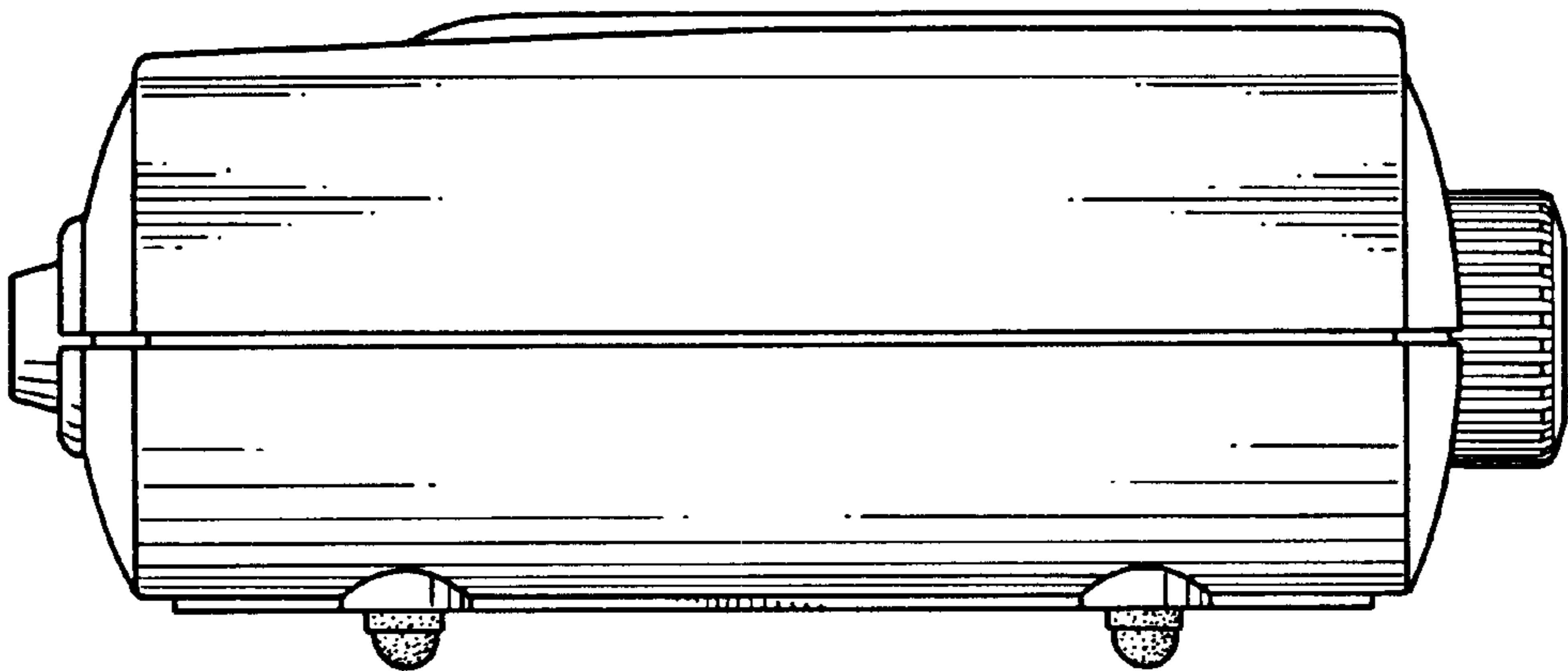


FIG. 5

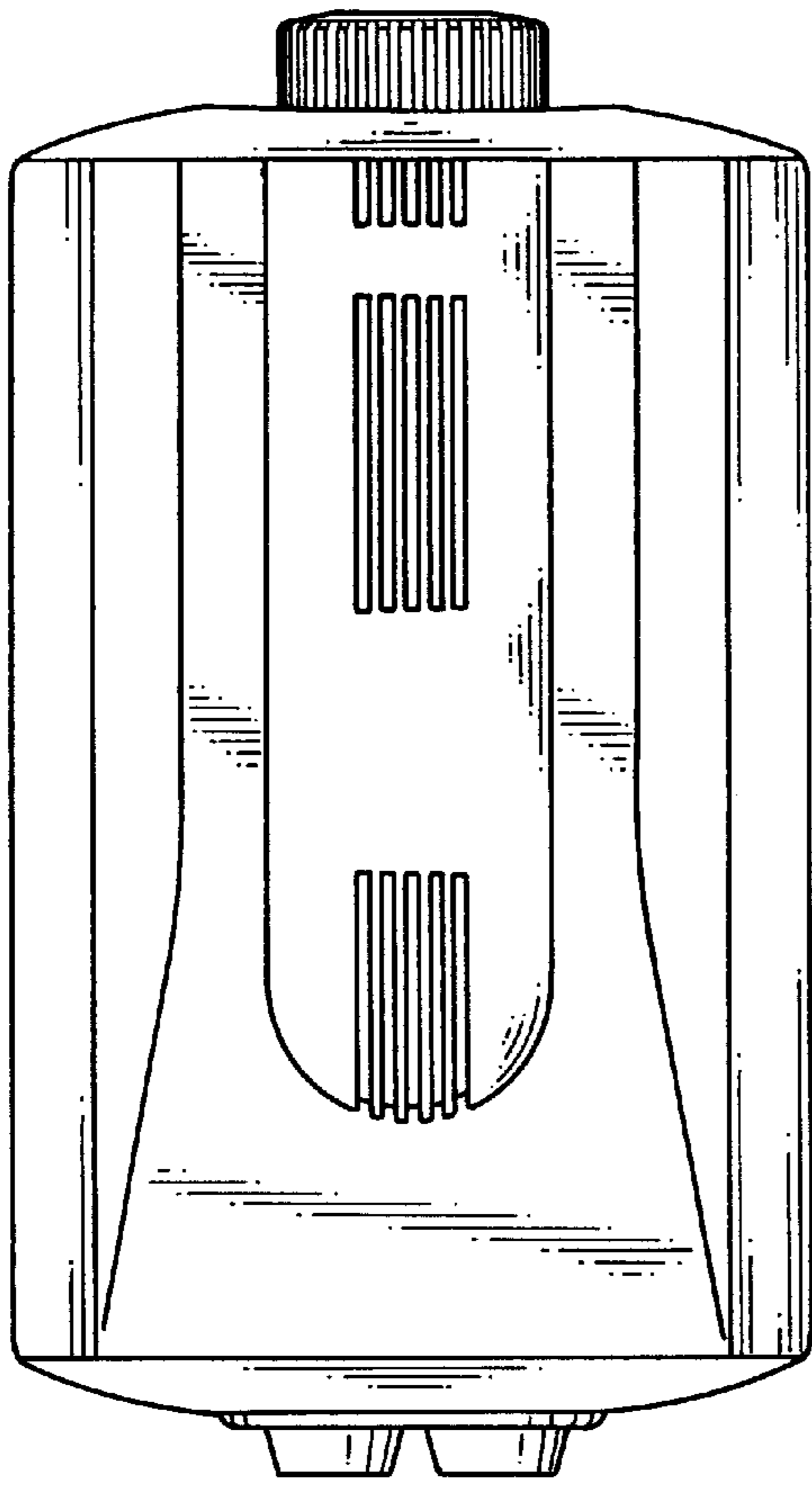


FIG. 6

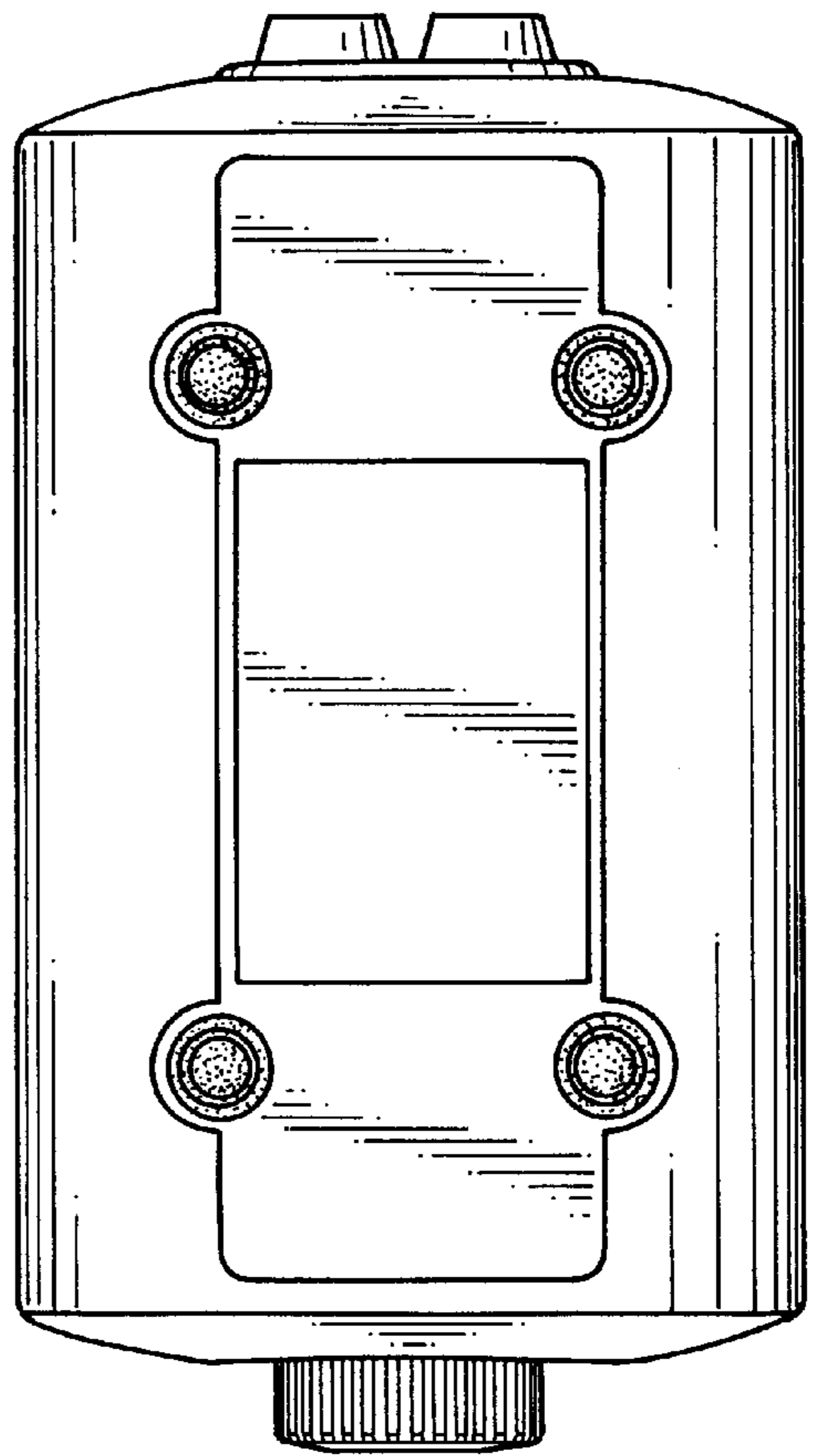


FIG. 7