



US00D455152S

(12) **United States Design Patent**  
**Caughlan et al.**

(10) **Patent No.:** **US D455,152 S**

(45) **Date of Patent:** **\*\* Apr. 2, 2002**

(54) **SERVER APPLIANCE BEZEL**

D380,211 S \* 6/1997 Aderman et al. .... D14/445  
D415,749 S \* 10/1999 Burke ..... D14/445

(75) Inventors: **Carma Caughlan**, Portland; **Wei-Tong Sun**, Beaverton; **Suzanne Taylor**, Gaston; **Mark Albrecht**, Hillsboro; **Rick Feightner**, West Linn; **Dave Heasty**; **Steve Brown**, both of Portland; **Steve Rodden**, Sherwood, all of OR (US); **Pat Rodden**, Snohomish; **Son H. Lam**, Puyallup, both of WA (US); **Bruce Clark**, Anders Island, WA (US); **Kyle Fox**; **Bun Tan**, both of Portland, OR (US); **Larry Altendorf**, Tigard, OR (US); **Greg Lento**, Portland, OR (US); **Rob Armstrong**, Portland, OR (US); **Todd Whitaker**, Portland, OR (US); **Mike Midghall**, Portland, OR (US); **Bob Eldridge**, Portland, OR (US)

\* cited by examiner

*Primary Examiner*—Freda Nunn  
(74) *Attorney, Agent, or Firm*—Blakely, Sokoloff, Taylor & Zafam LLP

(73) Assignee: **Intel Corporation**, Santa Clara, CA (US)

(\*\*) Term: **14 Years**

(21) Appl. No.: **29/119,317**

(22) Filed: **Feb. 25, 2000**

(51) **LOC (7) Cl.** ..... **14-02**

(52) **U.S. Cl.** ..... **D14/445**

(58) **Field of Search** ..... D14/441-446;  
D13/162, 184, 199, 164, 177; 312/223.2;  
361/680-686, 690-696

(56) **References Cited**

**U.S. PATENT DOCUMENTS**

D333,134 S \* 2/1993 Aderman ..... D14/445

(57) **CLAIM**

The ornamental design for a server appliance bezel, as shown and described.

**DESCRIPTION**

FIG. 1 is a top view of a first embodiment of a server appliance bezel.

FIG. 2 is a front view of the first embodiment of the server appliance bezel.

FIG. 3 is a bottom view of the first embodiment of the server appliance bezel.

FIG. 4 is a left side view of the first embodiment of the server appliance bezel.

FIG. 5 is a right side view of the first embodiment of the server appliance bezel.

FIG. 6 is a perspective view of the first embodiment of the server appliance bezel; and,

FIG. 7 is a perspective view of a second embodiment of the server appliance bezel.

The broken lines are shown in the views for illustrative purposes only and form no part of the claimed design.

**1 Claim, 3 Drawing Sheets**

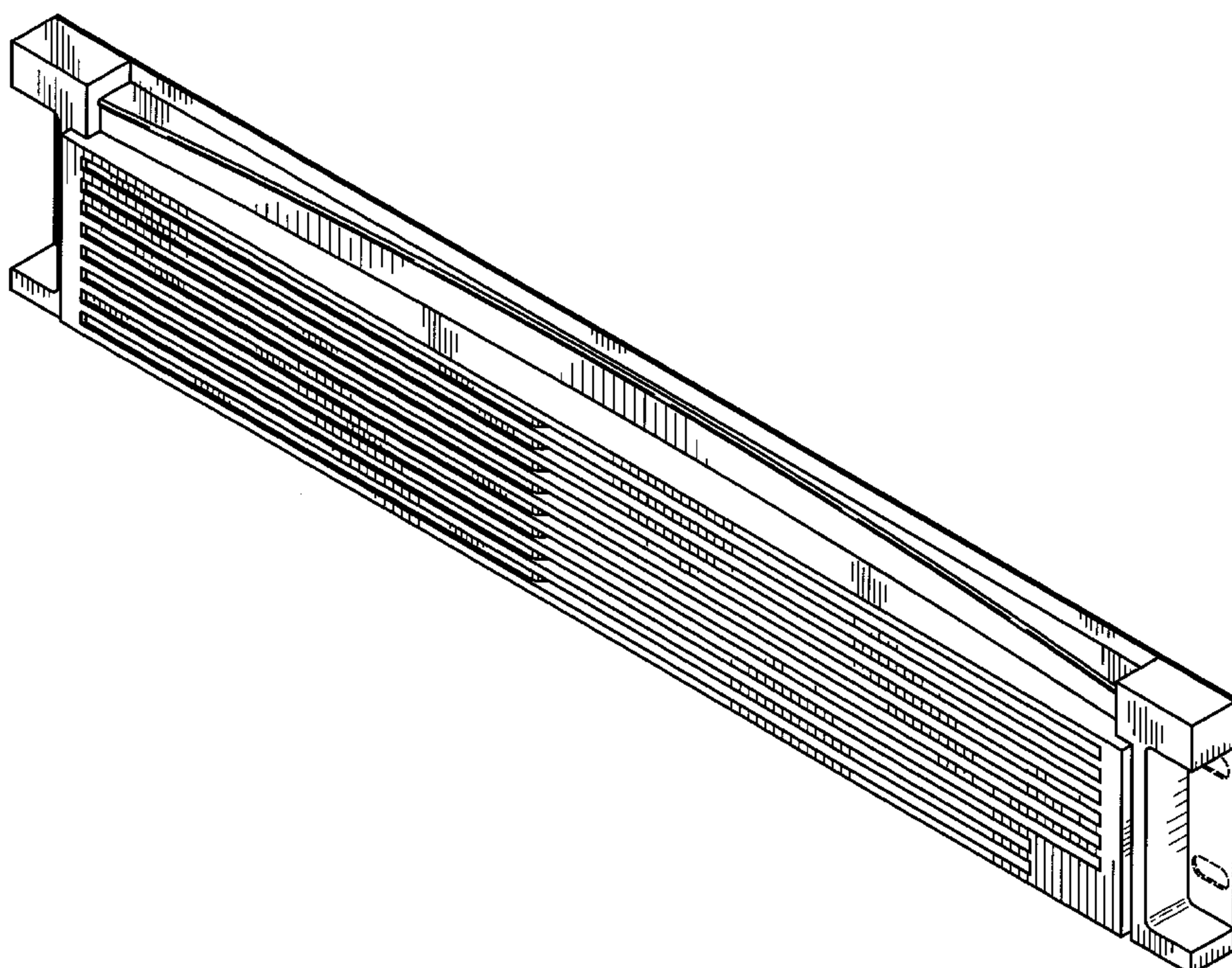


Fig. 1



Fig. 2

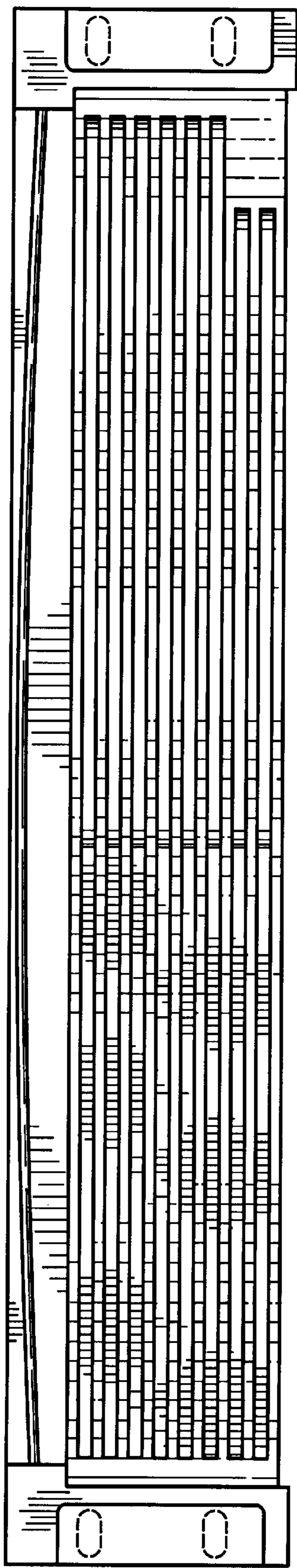


Fig. 3

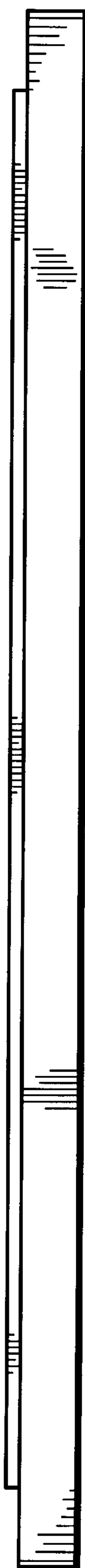
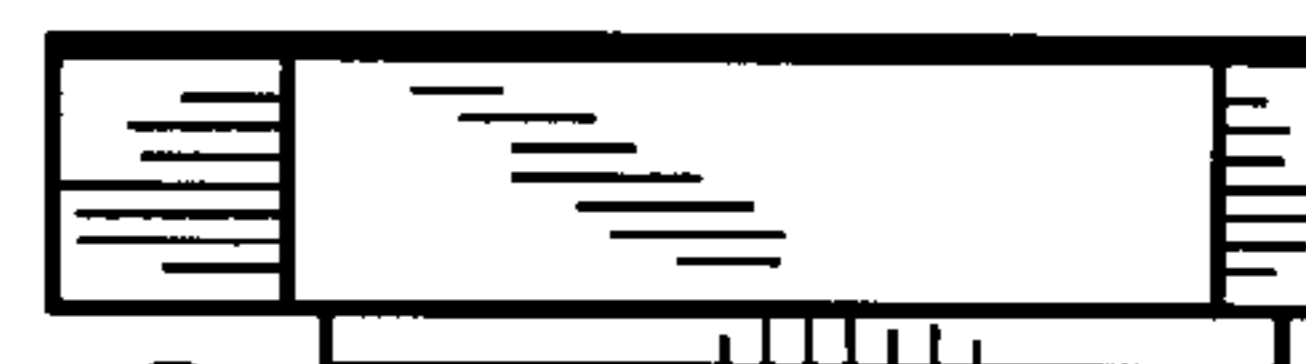


Fig. 4



Fig. 5



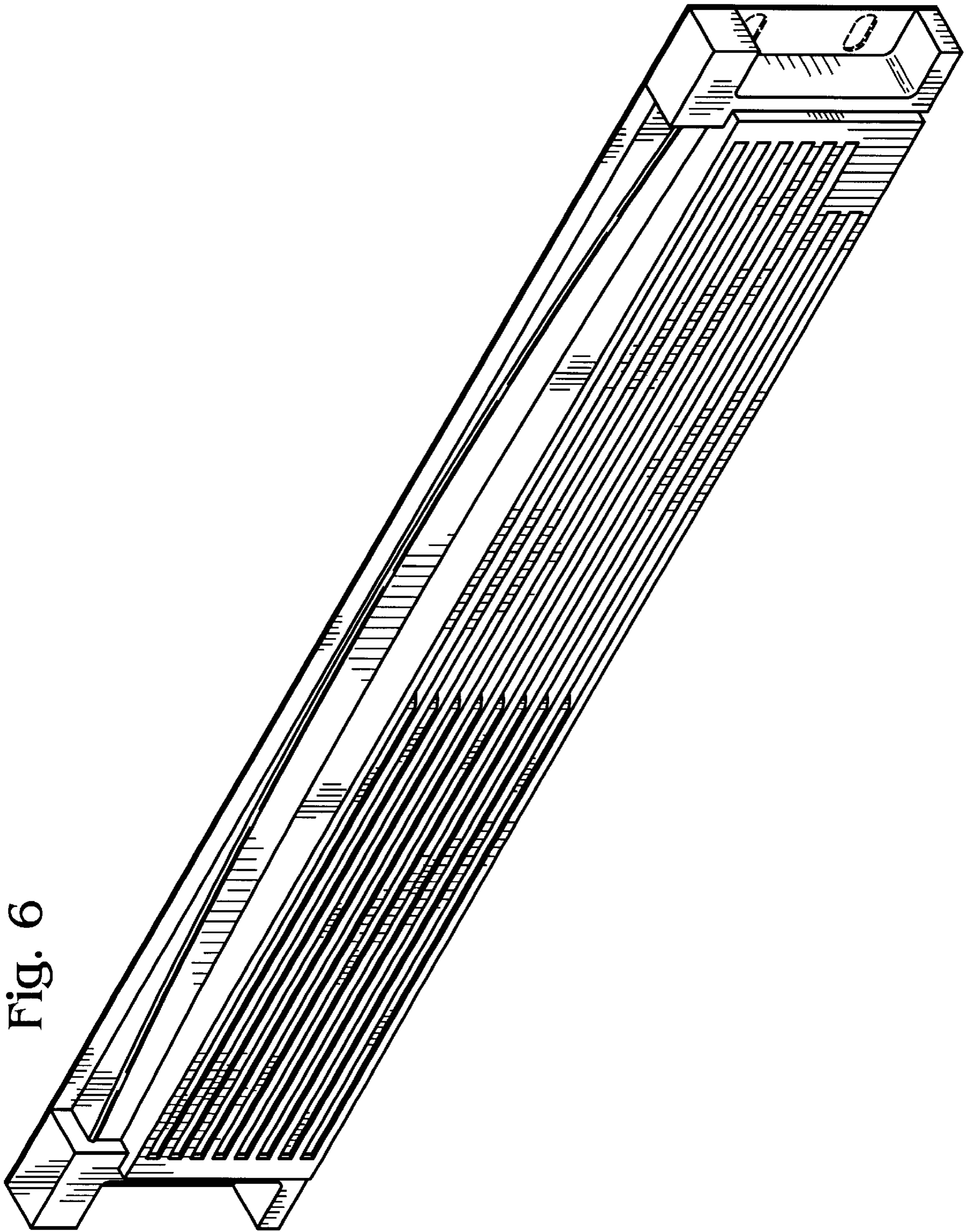


Fig. 6

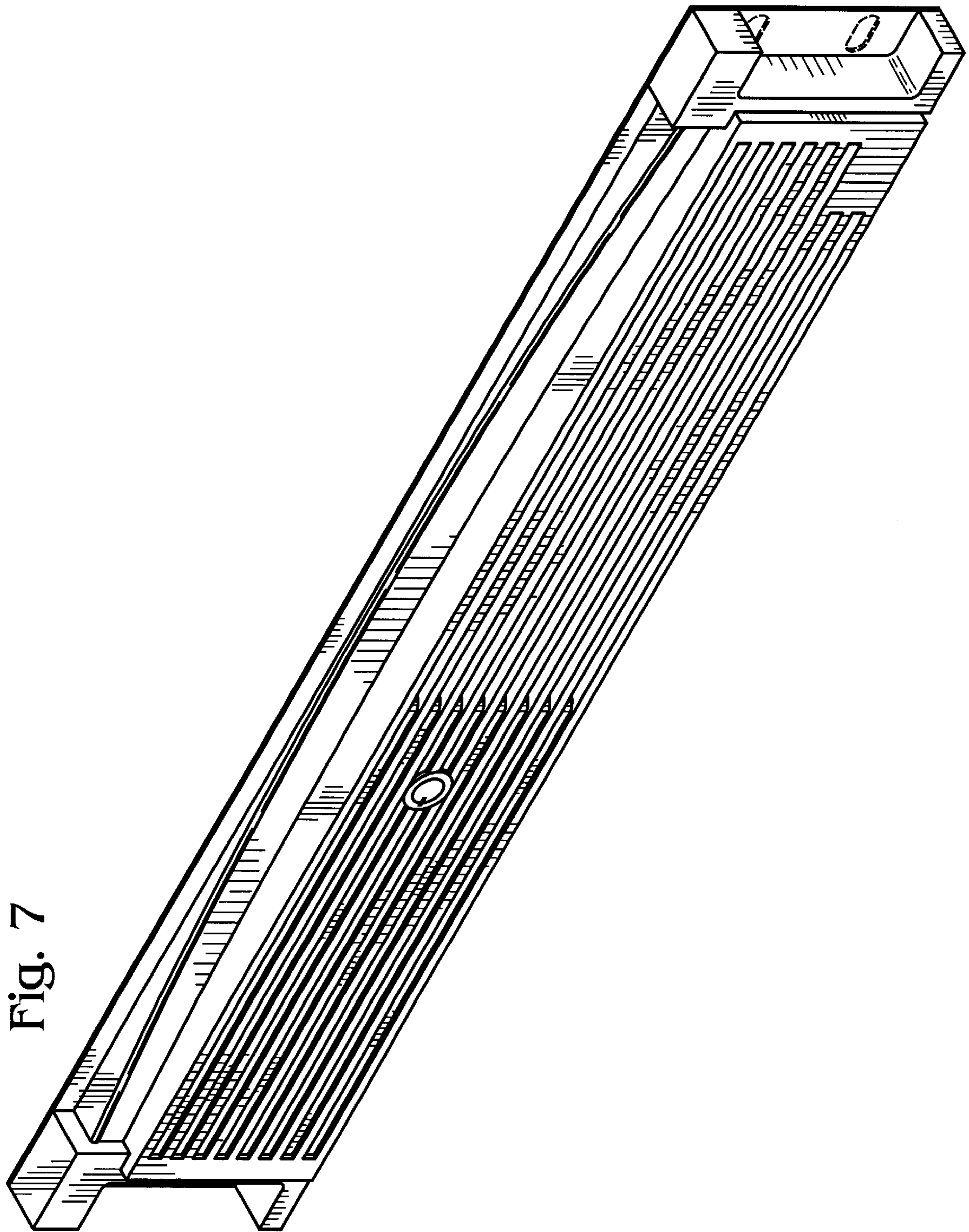


Fig. 7