



US00D455148S

(12) **United States Design Patent**
Lee et al.

(10) **Patent No.:** **US D455,148 S**

(45) **Date of Patent:** **** Apr. 2, 2002**

(54) **DATA STORAGE DEVICE**

(75) Inventors: **Milton C. Lee**, Mountain View; **James M. Stanton**, San Jose, both of CA (US)

(73) Assignee: **Sun Microsystems, Inc.**, Palo Alto, CA (US)

(**) Term: **14 Years**

(21) Appl. No.: **29/137,148**

(22) Filed: **Feb. 13, 2001**

(51) **LOC (7) Cl.** **14-02**

(52) **U.S. Cl.** **D14/349**

(58) **Field of Search** D14/348, 349,
D14/351-356, 361-363; D13/162, 184,
199; 312/223.1-223.3; 360/99.01-99.12;
369/34, 36; 361/680-686

(56) **References Cited**

U.S. PATENT DOCUMENTS

D387,738 S * 12/1997 Lee D14/349
D424,031 S * 5/2000 Daly D14/349

D433,681 S * 11/2000 Jean et al. D14/349

D436,952 S * 1/2001 Goto D14/349

* cited by examiner

Primary Examiner—Freda Nunn

(74) *Attorney, Agent, or Firm*—J. D. Harriman, II, Esq.;
Coudert Brothers LLP

(57) **CLAIM**

The ornamental design for a data storage device, as shown and described.

DESCRIPTION

FIG. 1 is a top front and right side perspective view of a data storage device;

FIG. 2 is a top plan view thereof;

FIG. 3 is a front elevational view thereof;

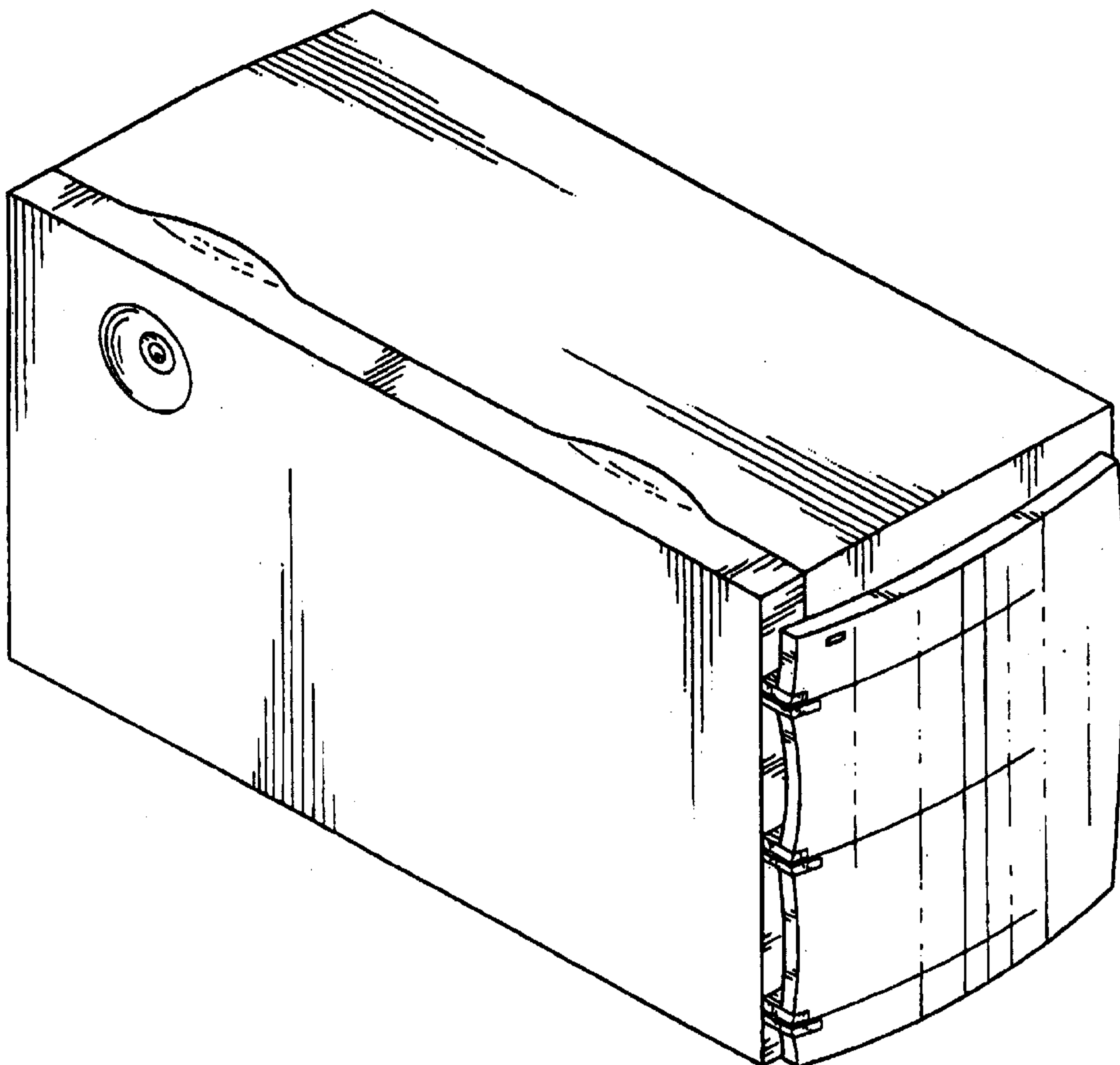
FIG. 4 is a rear elevational view thereof;

FIG. 5 is a right side elevational view thereof; and,

FIG. 6 is a bottom plan view thereof.

The broken lines are shown in the views for illustrative purposes only and form no part of the claimed design.

1 Claim, 2 Drawing Sheets



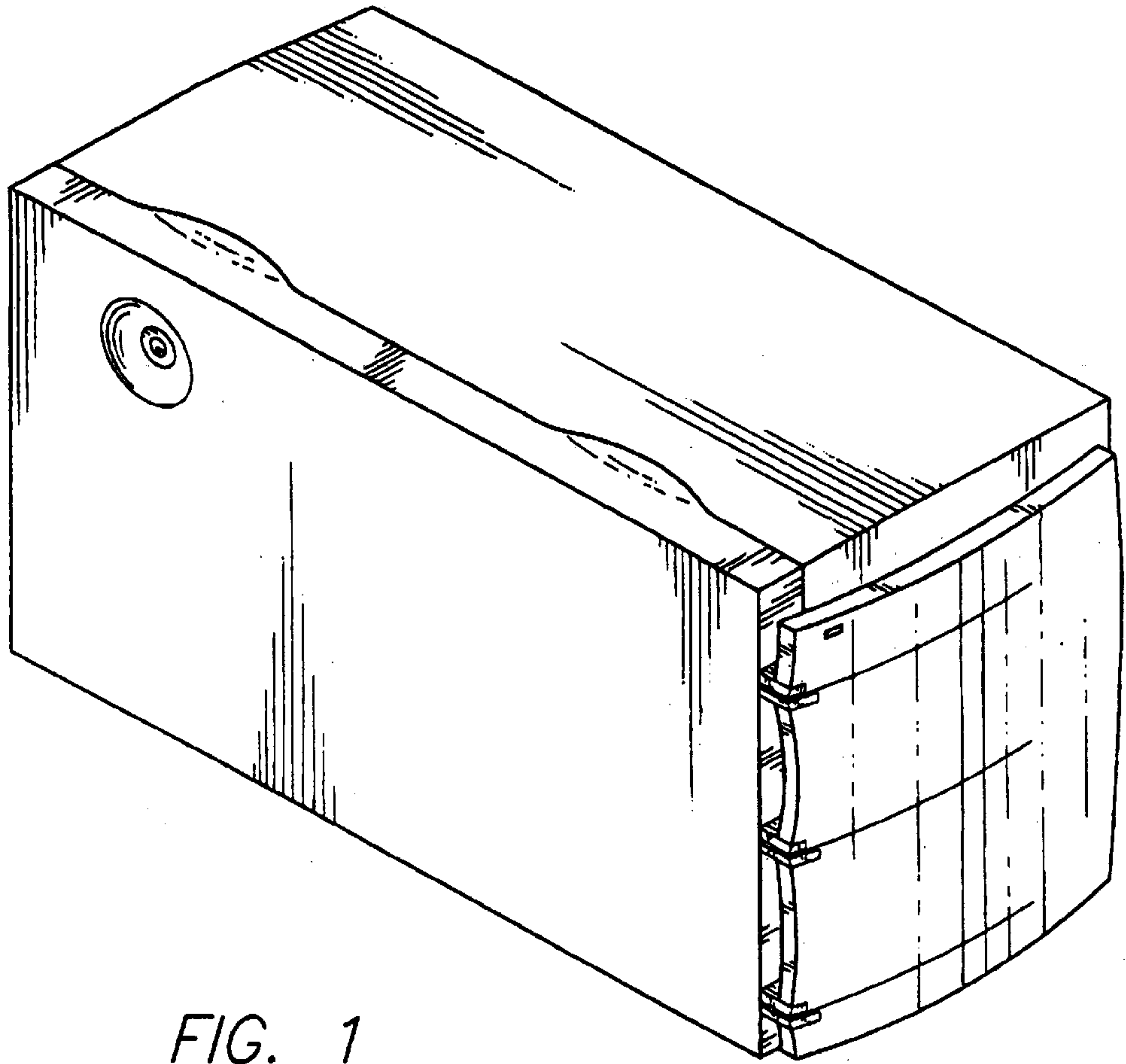


FIG. 1

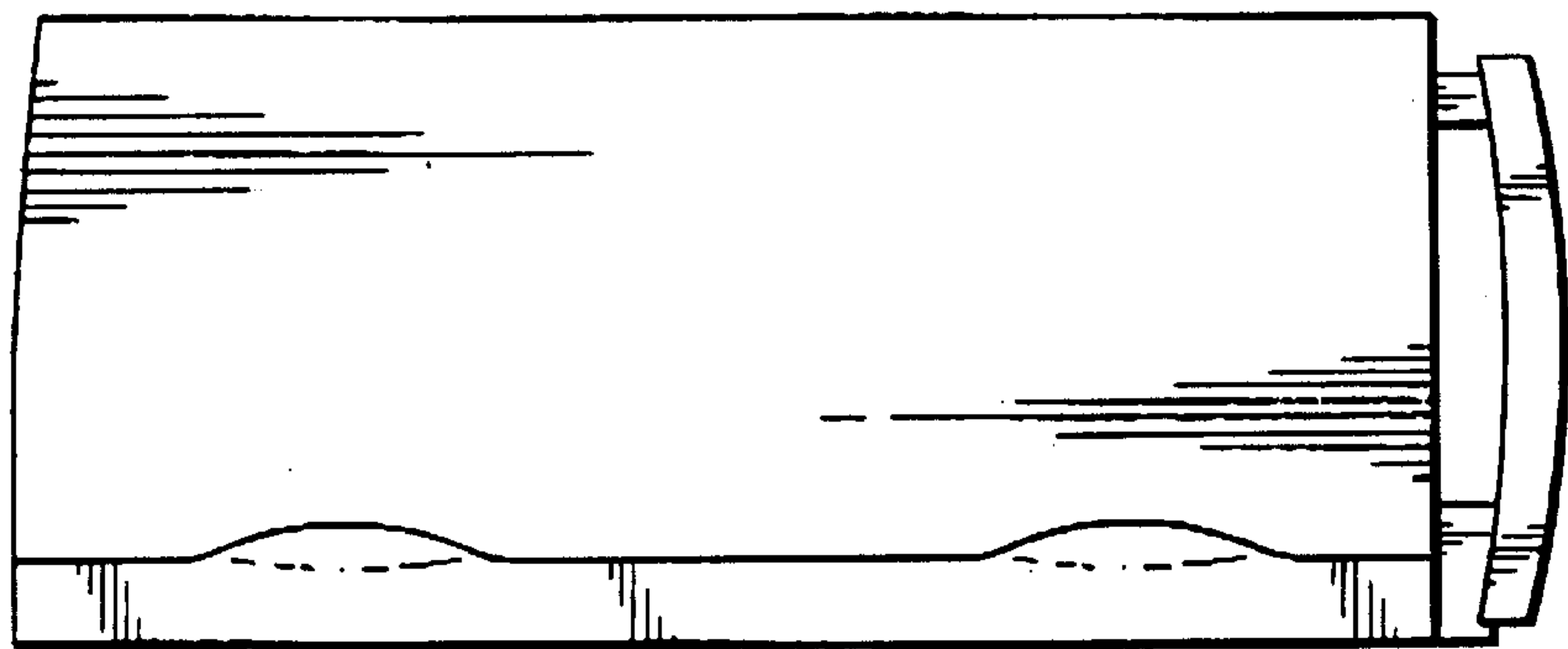


FIG. 2

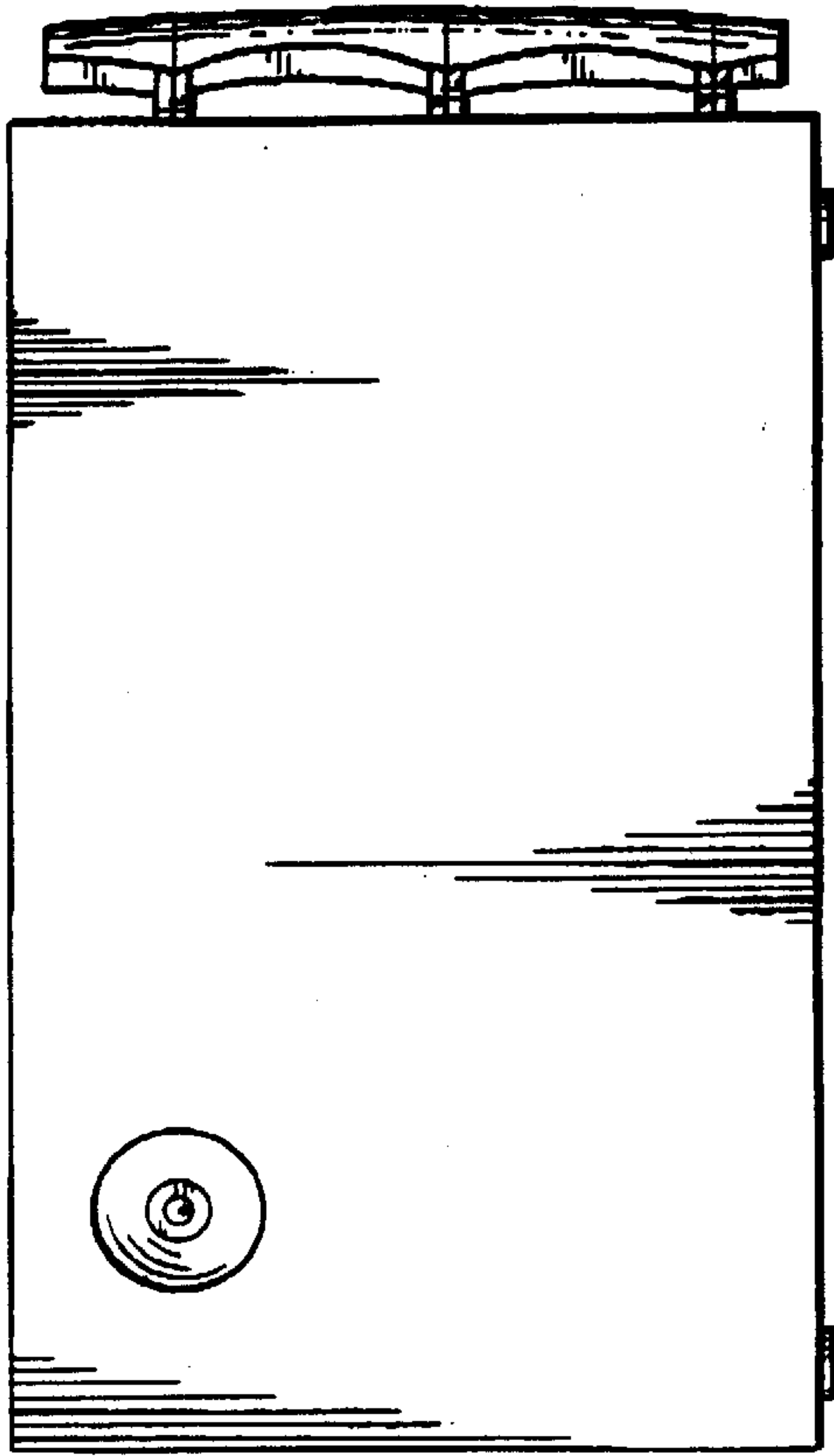


FIG. 5

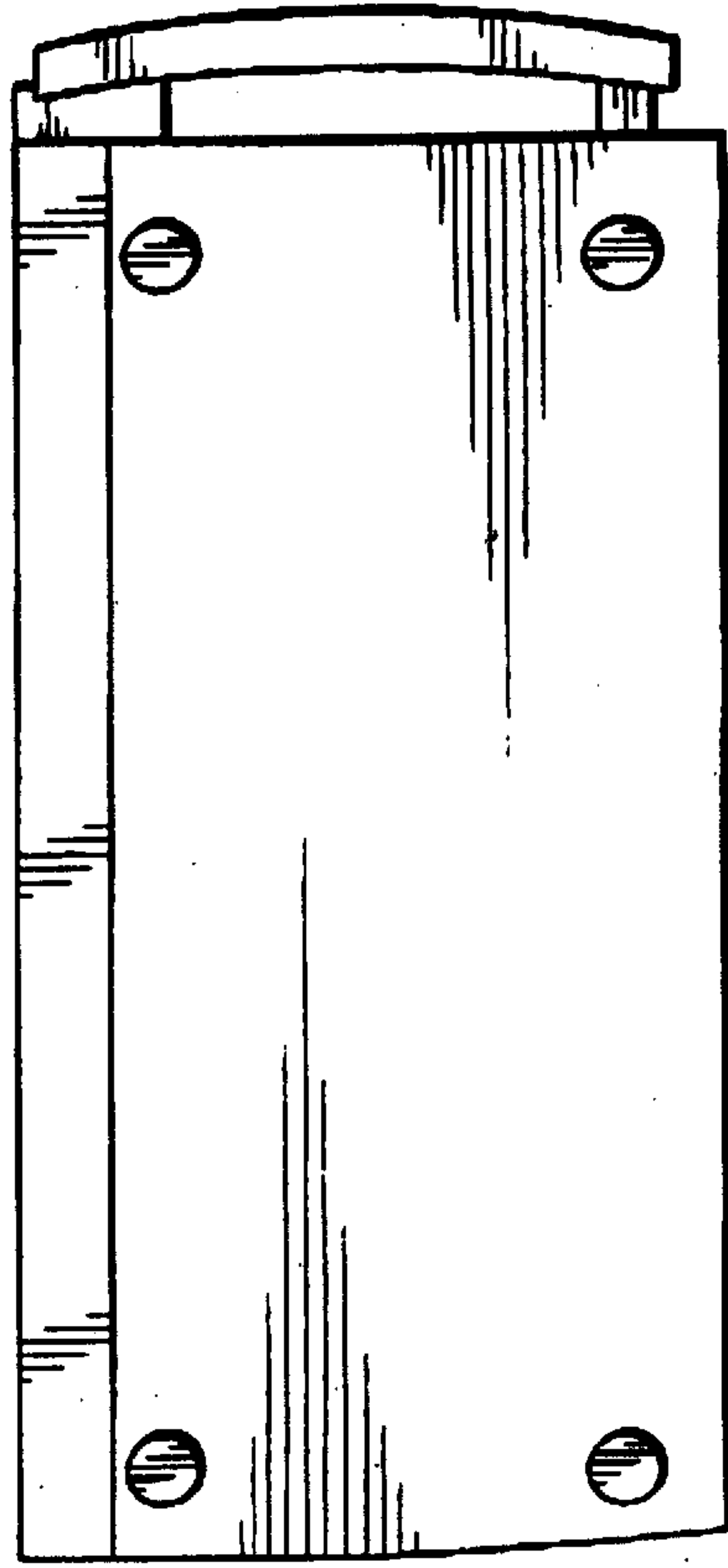


FIG. 6

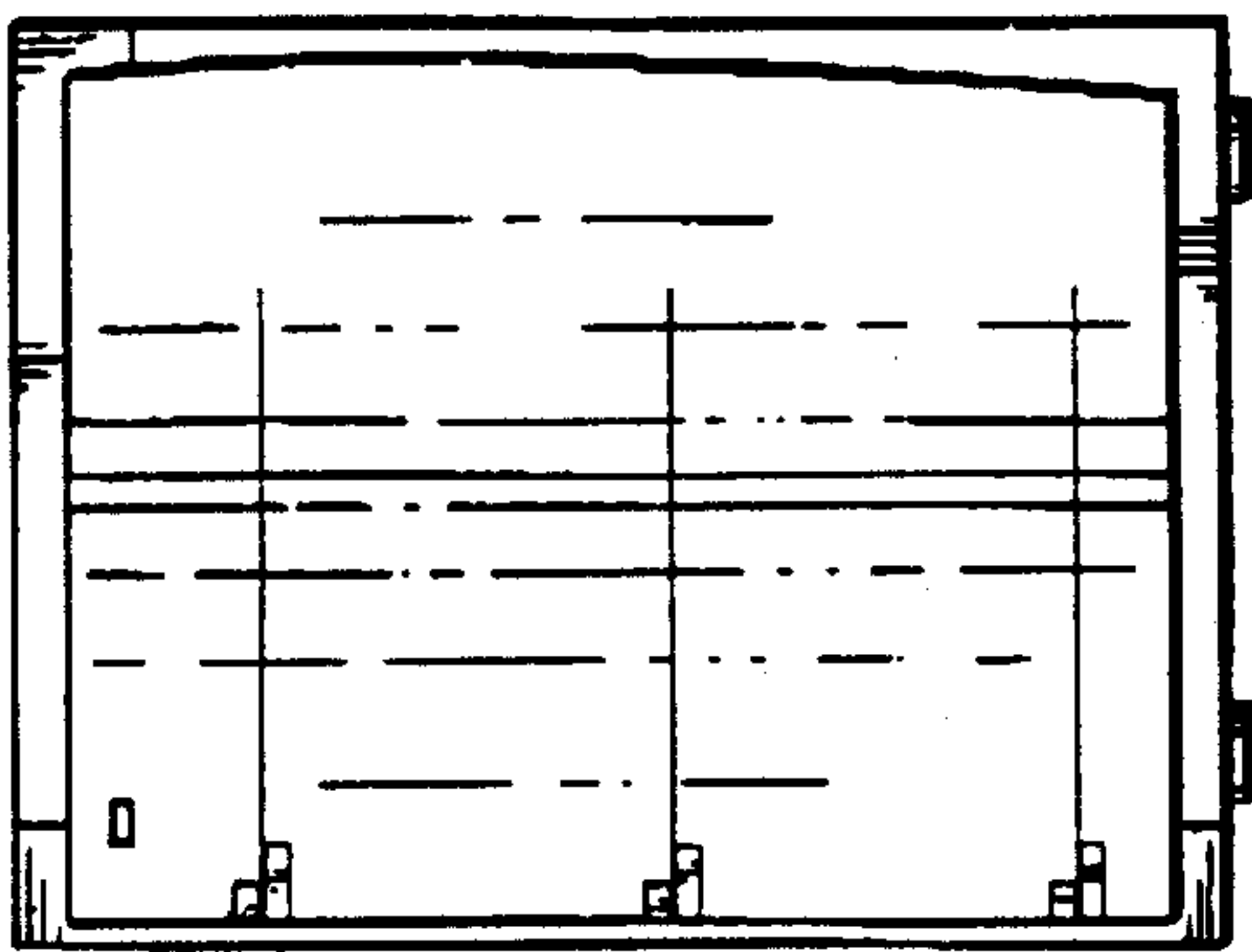


FIG. 3

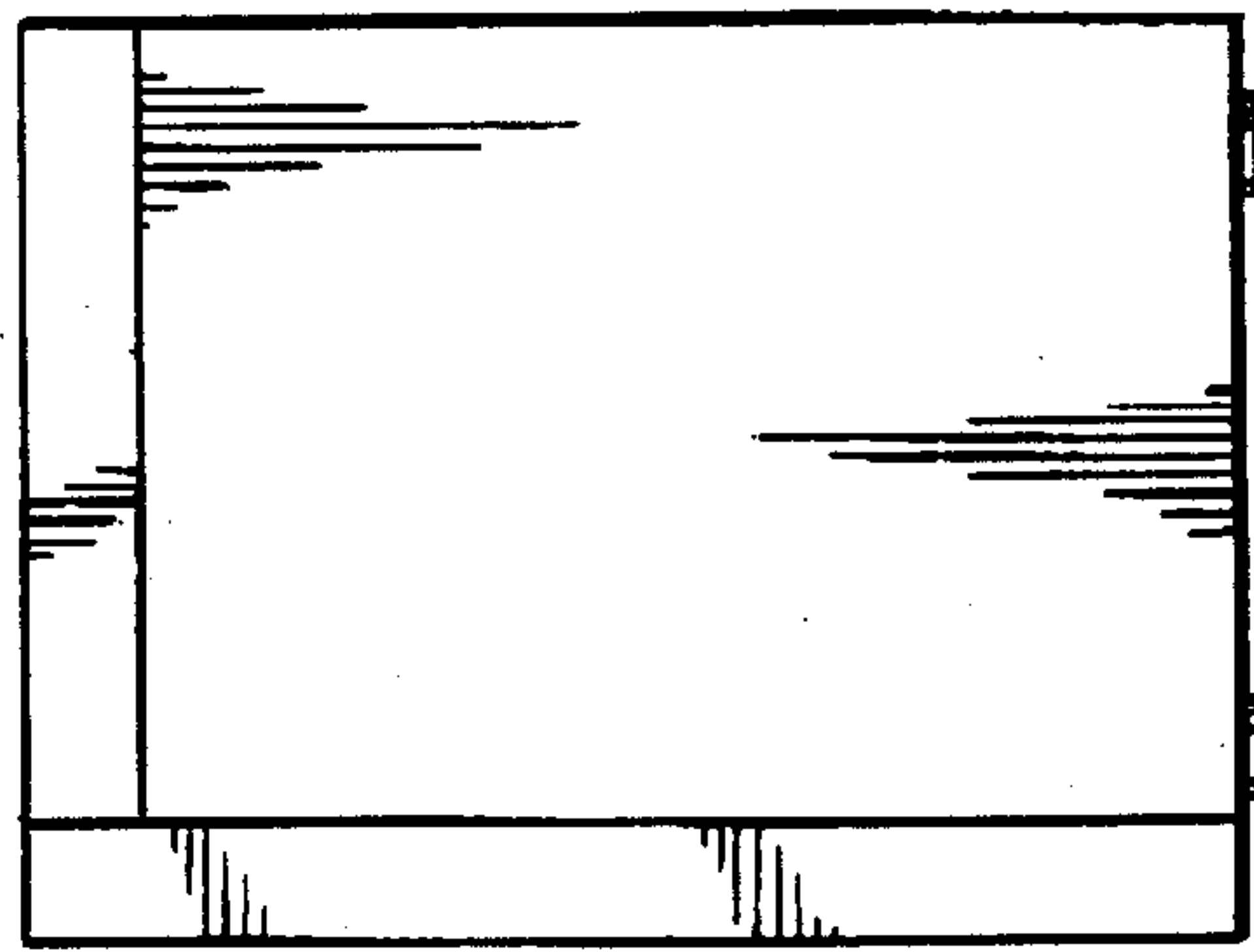


FIG. 4