



US00D455146S

(12) **United States Design Patent**  
**Tsuboi**

(10) **Patent No.:** **US D455,146 S**

(45) **Date of Patent:** **\*\* Apr. 2, 2002**

(54) **PORTABLE TERMINAL**

(75) Inventor: **Hideki Tsuboi**, Koganei (JP)

(73) Assignee: **Kabushiki Kaisha Toshiba**, Kawasaki (JP)

(\*\*) Term: **14 Years**

(21) Appl. No.: **29/138,306**

(22) Filed: **Mar. 12, 2001**

(30) **Foreign Application Priority Data**

Sep. 12, 2000 (JP) ..... 2000-025538

(51) **LOC (7) Cl.** ..... **14-02**

(52) **U.S. Cl.** ..... **D14/337**

(58) **Field of Search** ..... D14/341, 336,  
D14/337, 374, 339; D19/26, 59, 60; 178/18.03;  
345/104, 156, 168, 173; 361/680-686

(56) **References Cited**

**U.S. PATENT DOCUMENTS**

- D270,061 S 8/1983 Ackeret
- D353,803 S \* 12/1994 Kuzumoto et al. .... D14/341
- D356,548 S \* 3/1995 Bottcher et al. .... D14/341
- D398,593 S \* 9/1998 Tominaga et al. .... D14/339
- 6,028,765 A \* 2/2000 Swindler et al. .... 361/683

**FOREIGN PATENT DOCUMENTS**

- JP 916761 1/1995
- JP 922096 3/1995
- JP 926163 \* 5/1995

**OTHER PUBLICATIONS**

Matsushita Denki Tele Denmark AS, Denpa Shinbun News Paper FZ-55CTS, Sep. 20, 1999.

\* cited by examiner

*Primary Examiner*—Freda Nunn

(74) *Attorney, Agent, or Firm*—Banner & Witcoff, Ltd.

(57) **CLAIM**

The ornamental design for a portable terminal, as shown and described.

**DESCRIPTION**

FIG. 1 is a bottom, front and left side perspective view of a portable terminal showing my new design, FIG. 2 is a front elevational view thereof, FIG. 3 is a rear elevational view thereof, FIG. 4 is a right side elevational view thereof, FIG. 5 is a left side elevational view thereof, FIG. 6 is a top plan view thereof; and, FIG. 7 is a bottom plan view thereof.

**1 Claim, 3 Drawing Sheets**

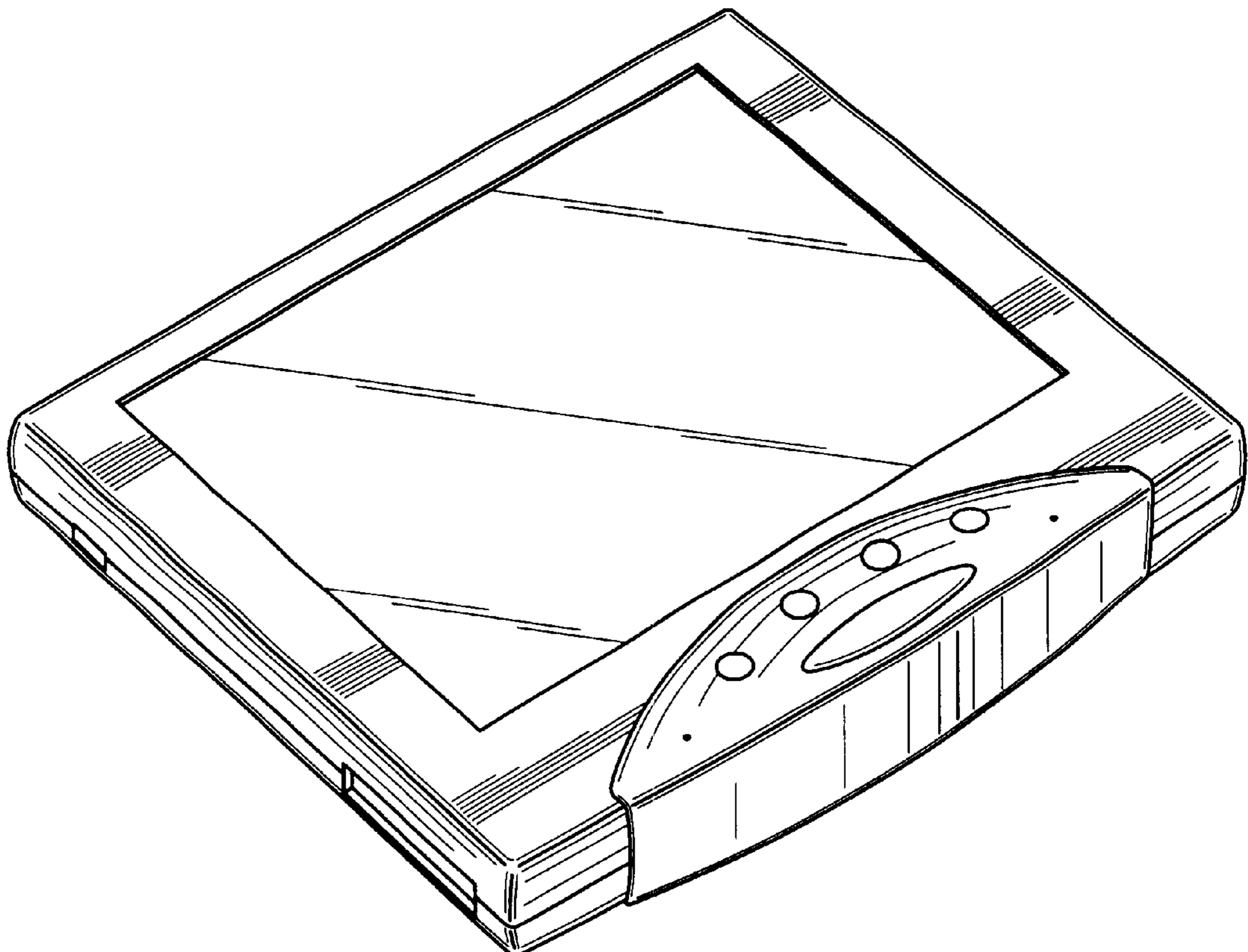


FIG. 1

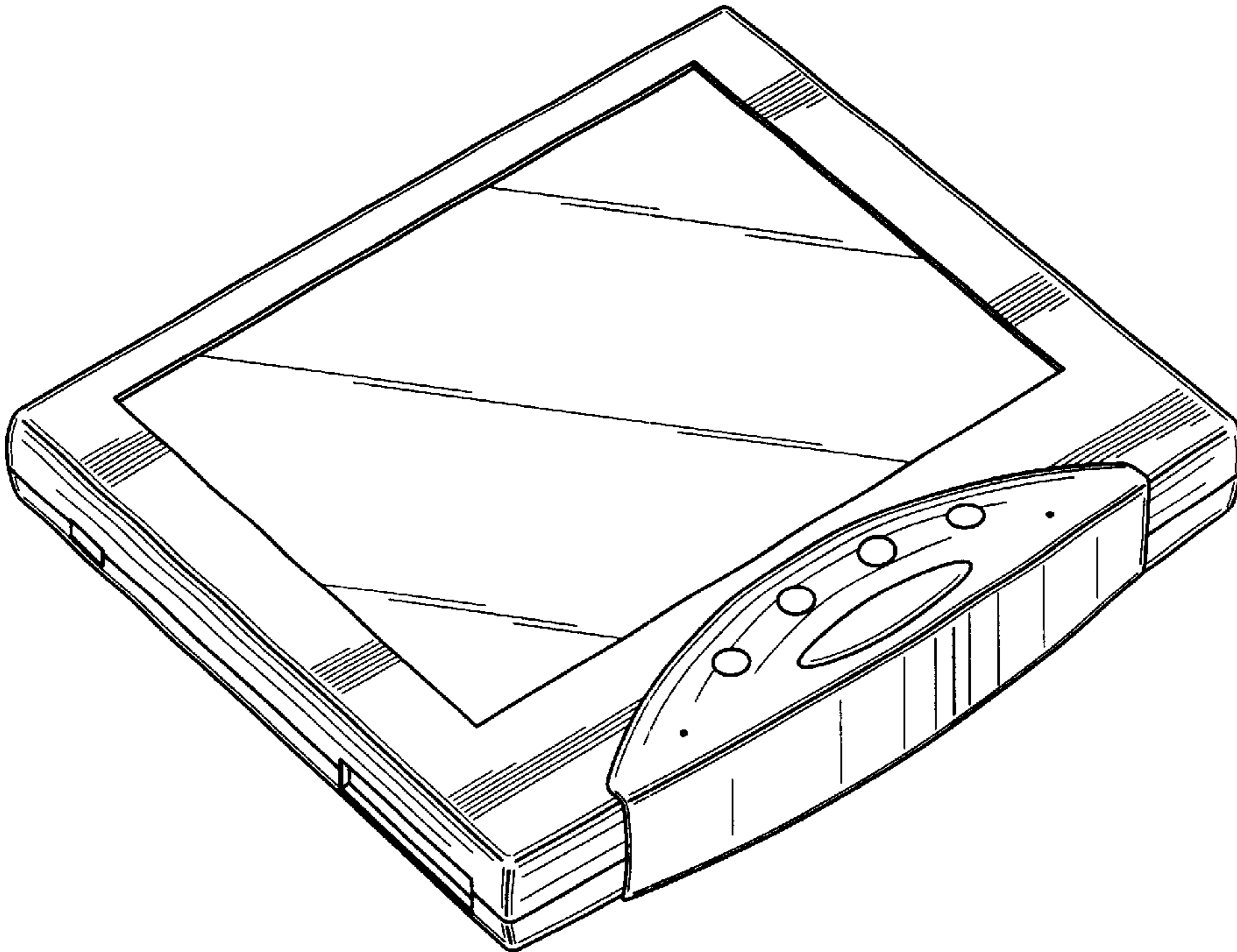


FIG. 2

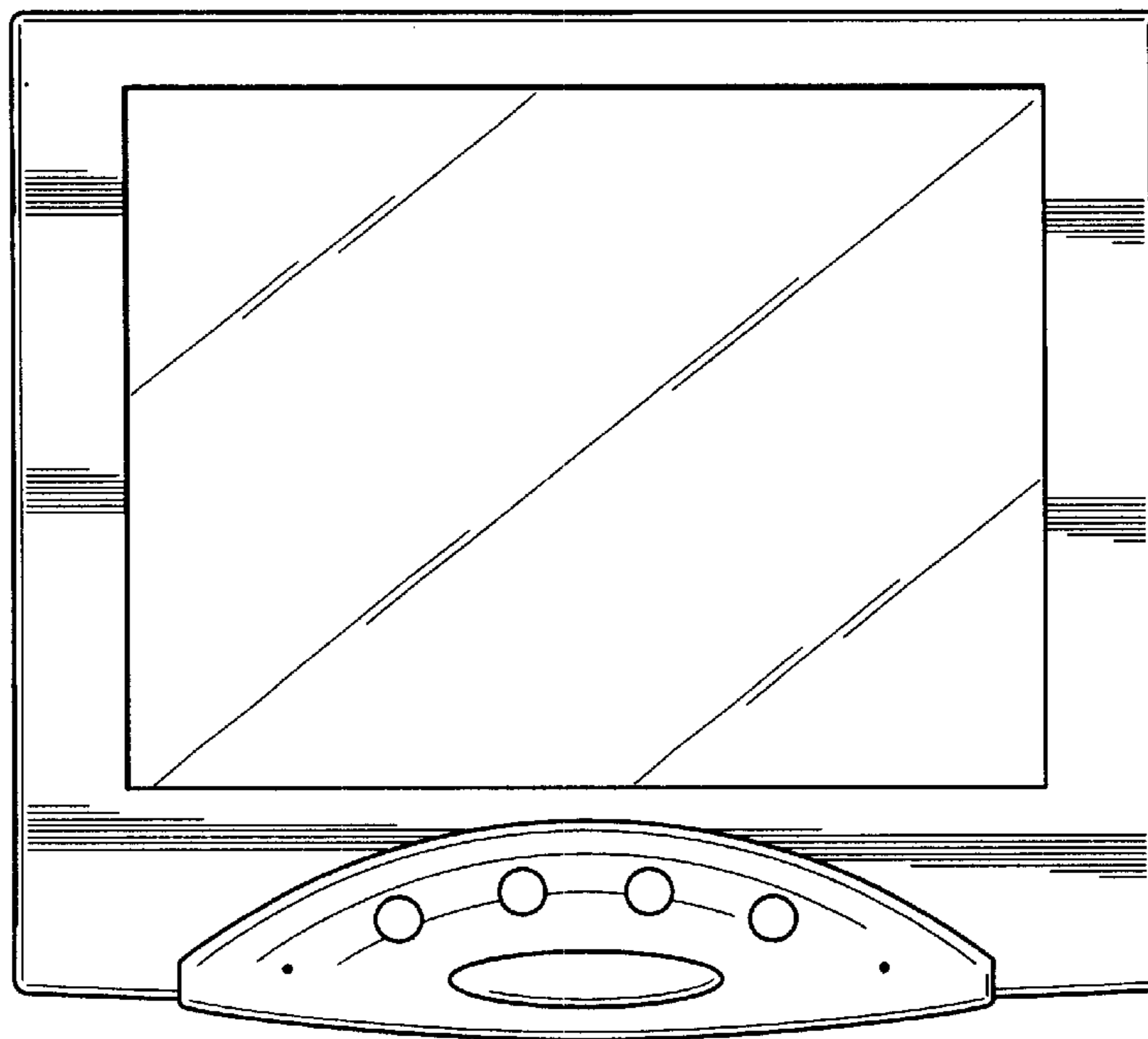


FIG. 3

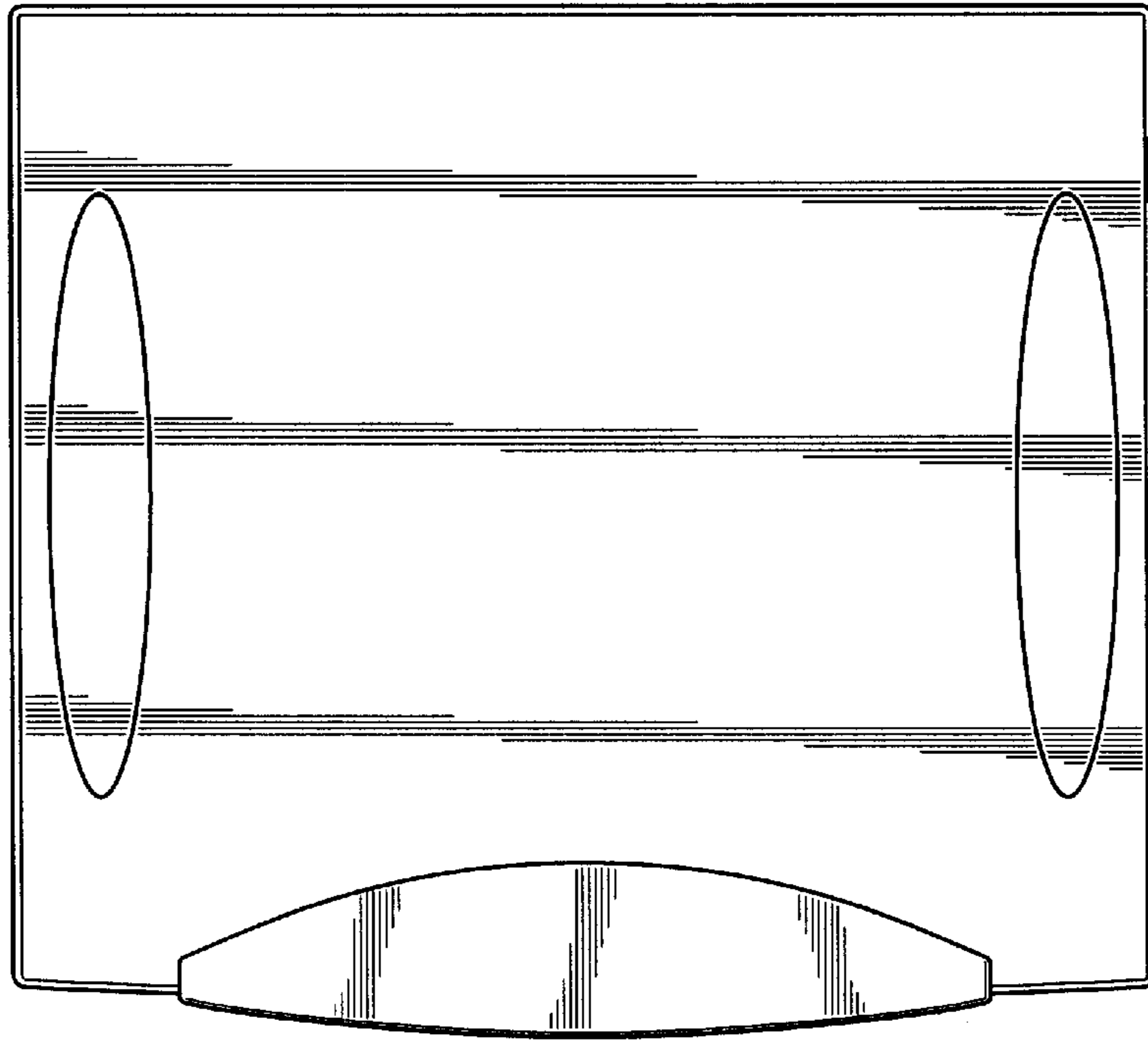


FIG. 4

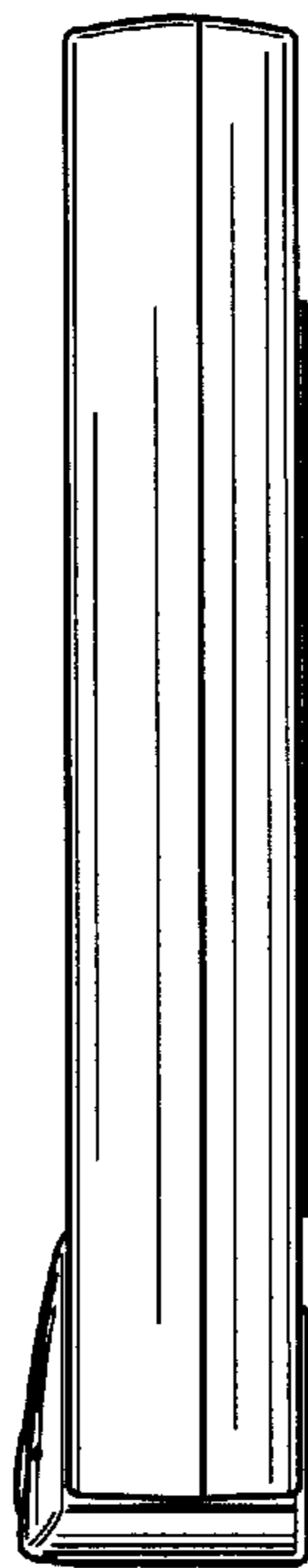


FIG. 5

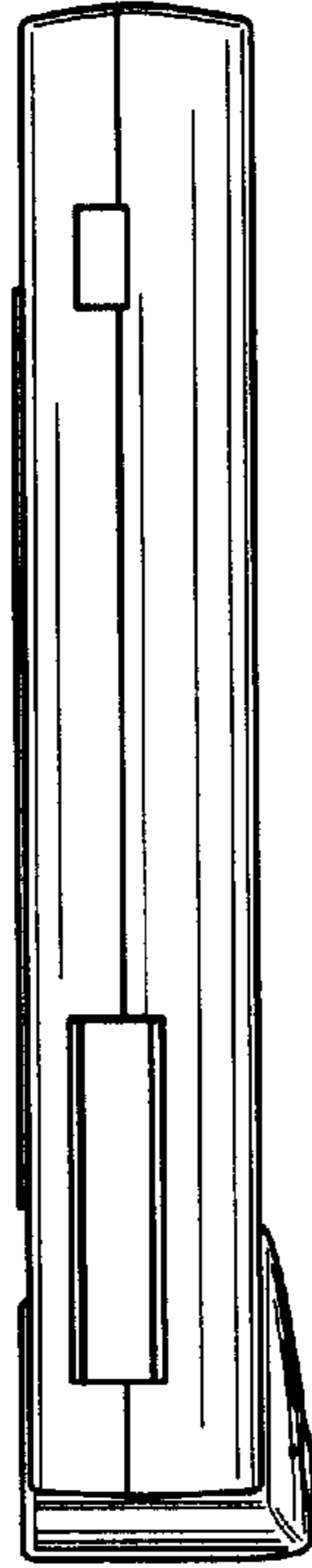


FIG. 6

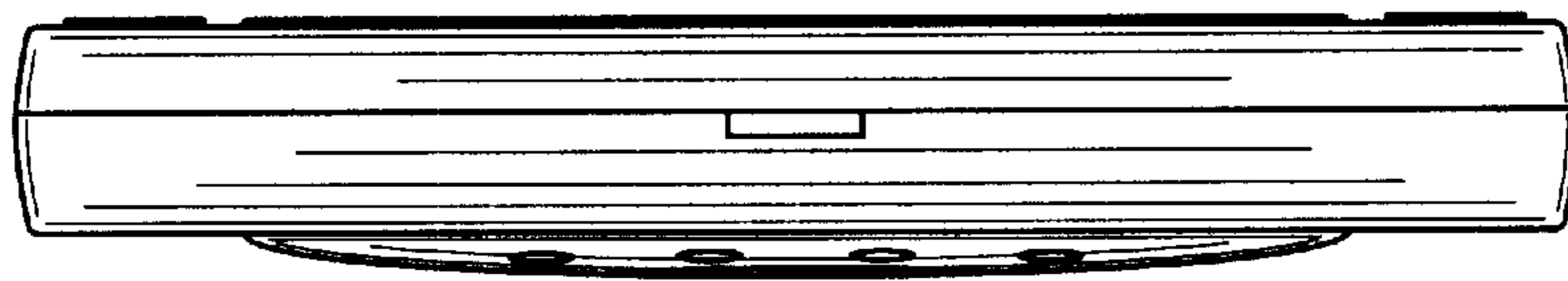


FIG. 7

