



US00D455144S

(12) **United States Design Patent**
Shintani

(10) **Patent No.:** **US D455,144 S**

(45) **Date of Patent:** **** Apr. 2, 2002**

(54) **RADIO RECEIVER COMBINED WITH
CLOCK**

(75) Inventor: **Eiji Shintani**, Tokyo (JP)
(73) Assignee: **Sony Corporation**, Tokyo (JP)
(**) Term: **14 Years**

(21) Appl. No.: **29/142,190**
(22) Filed: **May 22, 2001**

(51) **LOC (7) Cl.** **14-01**
(52) **U.S. Cl.** **D14/171**
(58) **Field of Search** D14/171, 170,
D14/167, 496, 188-189, 198, 257, 265;
455/344, 347, 350, 351, 130

(56) **References Cited**

U.S. PATENT DOCUMENTS

D242,385 S	*	11/1976	Hamada	D14/171
4,070,697 A	*	1/1978	Miller et al.	360/12
D275,458 S	*	9/1984	Correa	D10/2
D334,569 S	*	4/1993	Kubina	D14/171
D340,717 S	*	10/1993	Grimes	D14/193
D371,363 S	*	7/1996	Tejima	D14/193
D373,126 S		8/1996	Taniguchi		
D374,009 S	*	9/1996	George	D14/171

OTHER PUBLICATIONS

Catalog "SONY inside", pp. 225 & 239, Sony Corporation (Autumne/Hiver 1999/2000).
Catalog "The Point Network No. 57", 3 sheets, Yodobashi Camera (Sep. 2000).
International Deposit Certificate dm/053 592, 3 sheets, WIPO (Dec. 2000).

* cited by examiner

Primary Examiner—Prabhakar Deshmukh
(74) *Attorney, Agent, or Firm*—Rader, Fishman & Grauer, PLLC

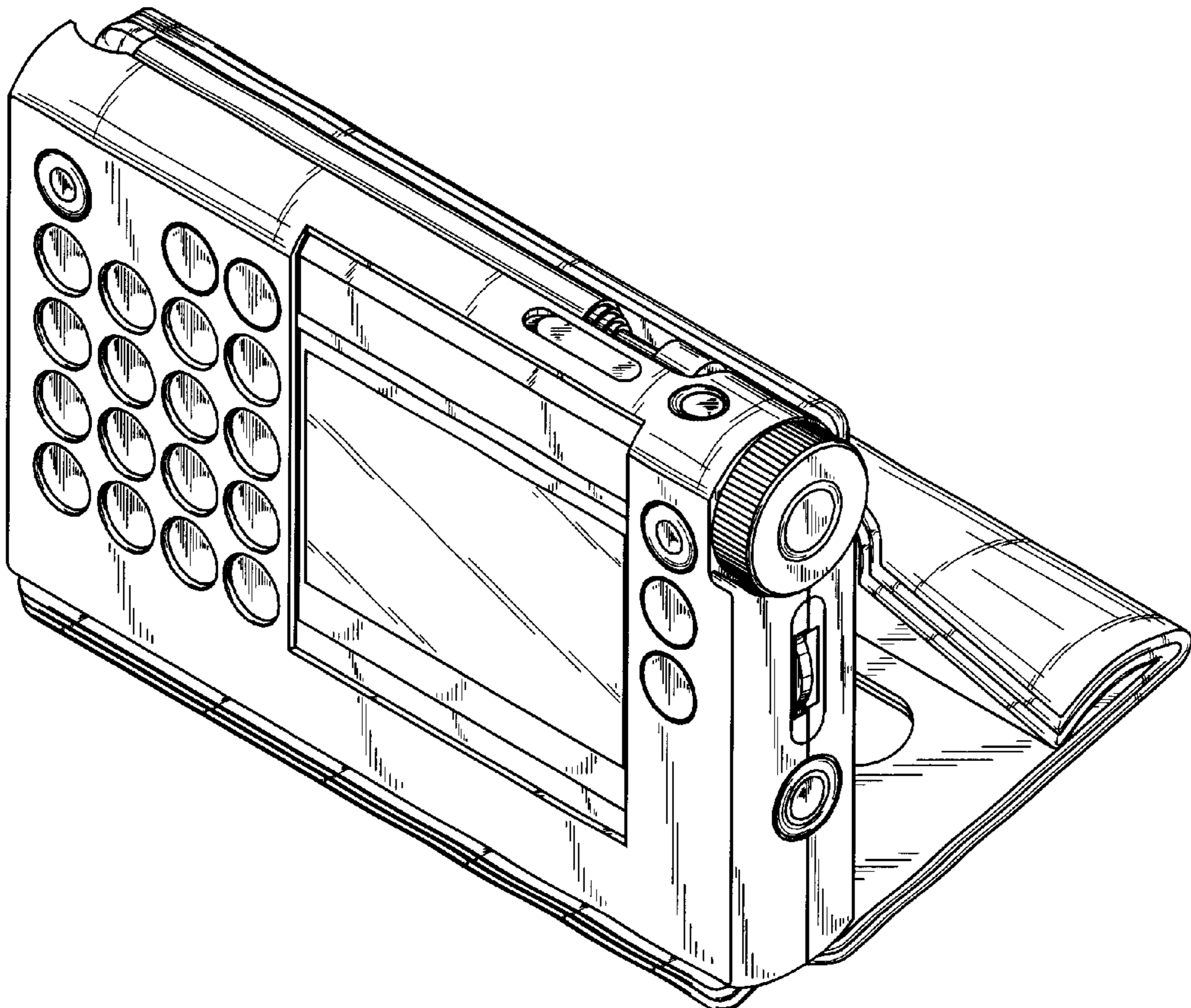
(57) **CLAIM**

The ornamental design for a radio receiver combined with clock, as shown and described.

DESCRIPTION

FIG. 1 is a perspective view of a radio receiver combined with clock showing my new design;
FIG. 2 is a front elevational view thereof;
FIG. 3 is a rear elevational view thereof;
FIG. 4 is a left side elevational view thereof;
FIG. 5 is a right side elevational view thereof;
FIG. 6 is a top plan view thereof; and,
FIG. 7 is a bottom plan view thereof.

1 Claim, 4 Drawing Sheets



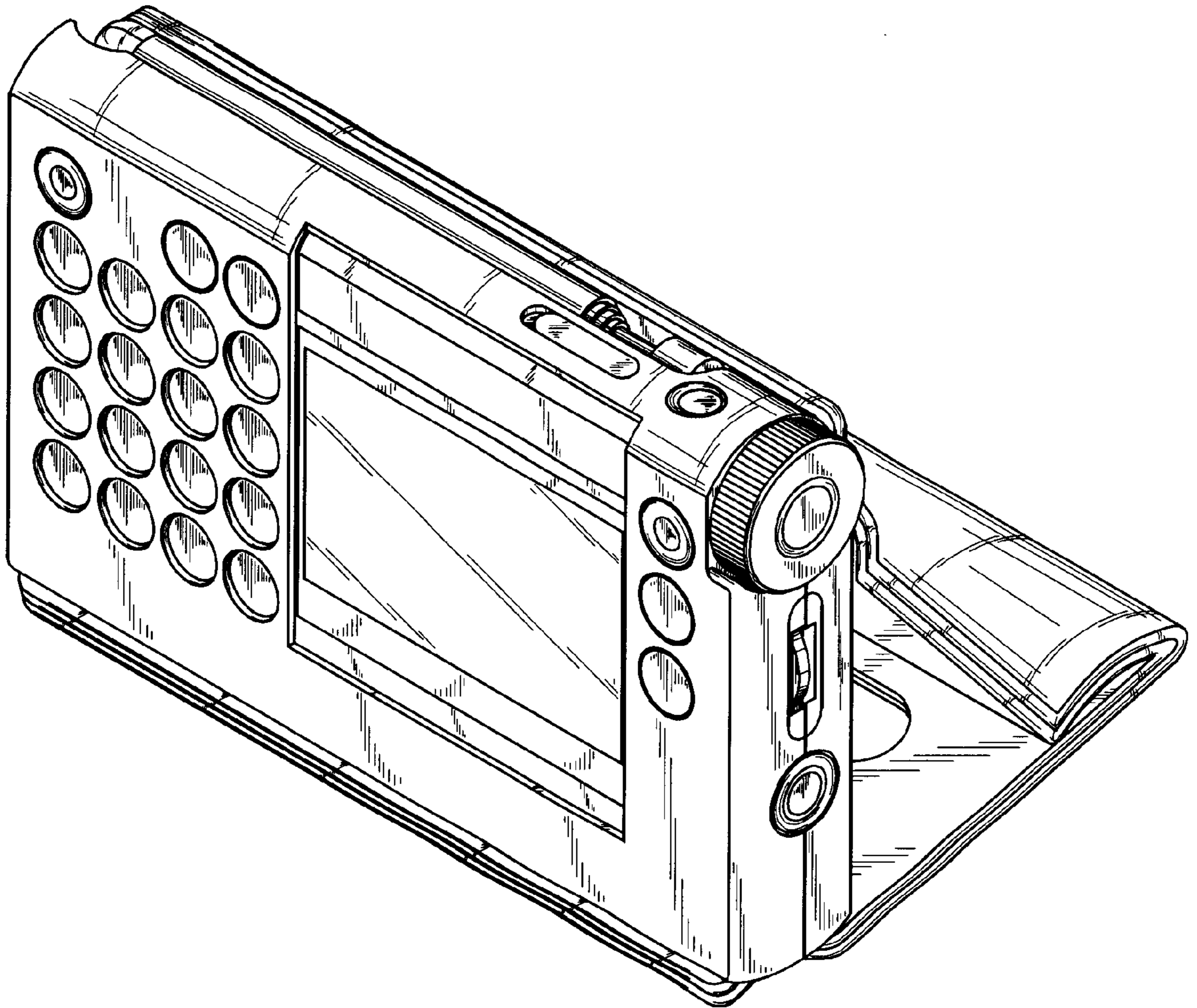


Fig. 1

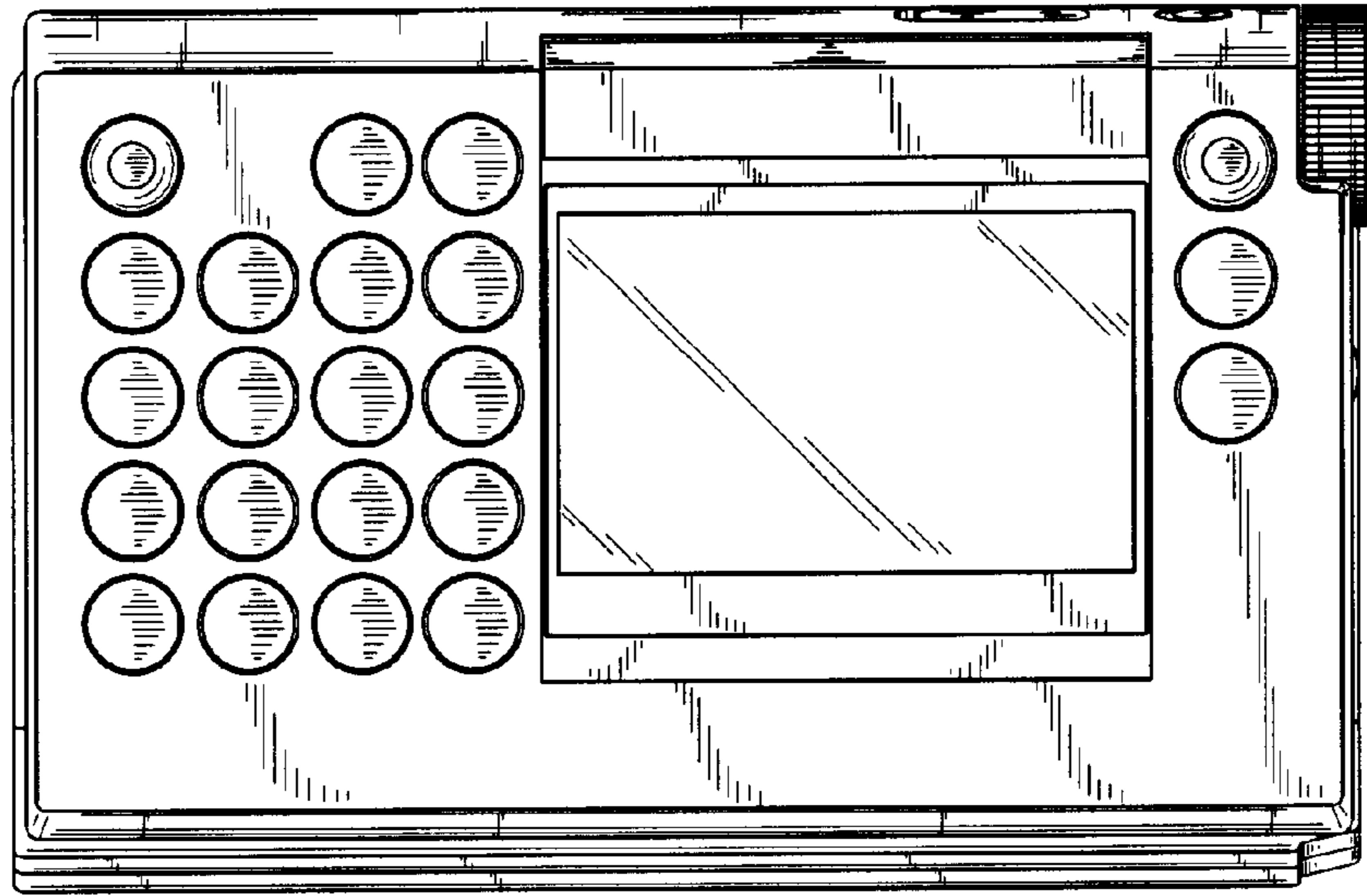


Fig. 2

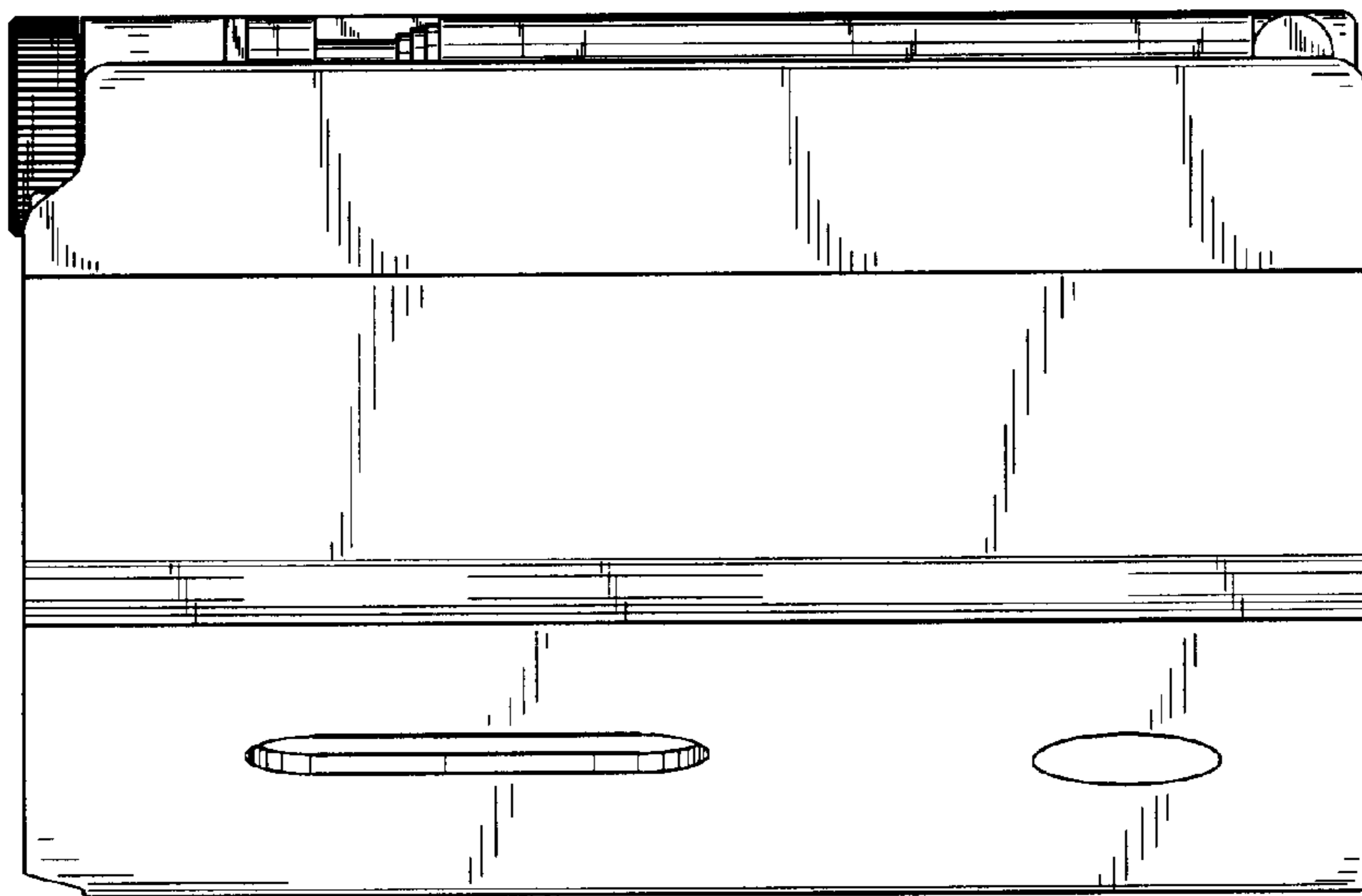


Fig. 3

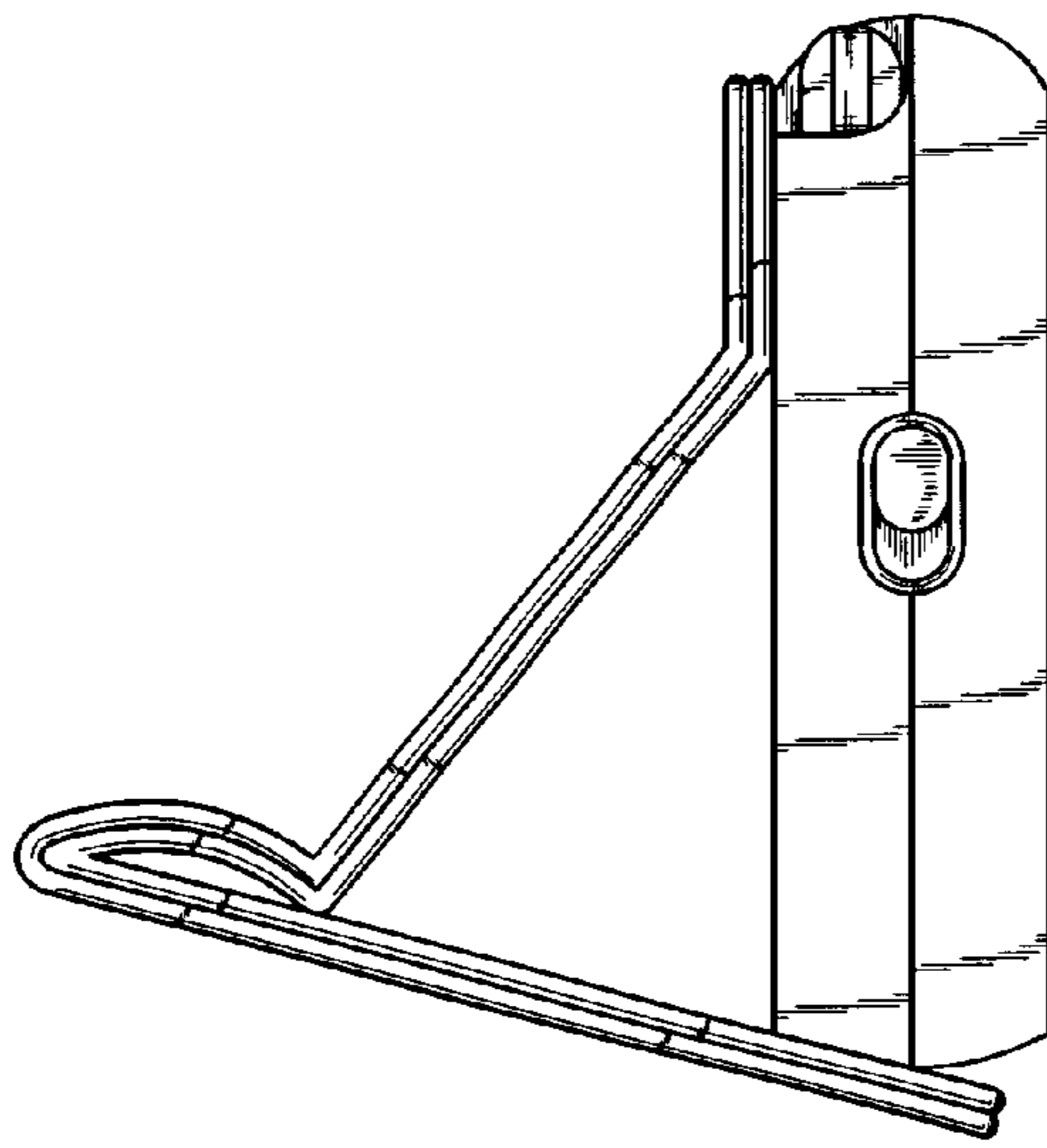


Fig. 4

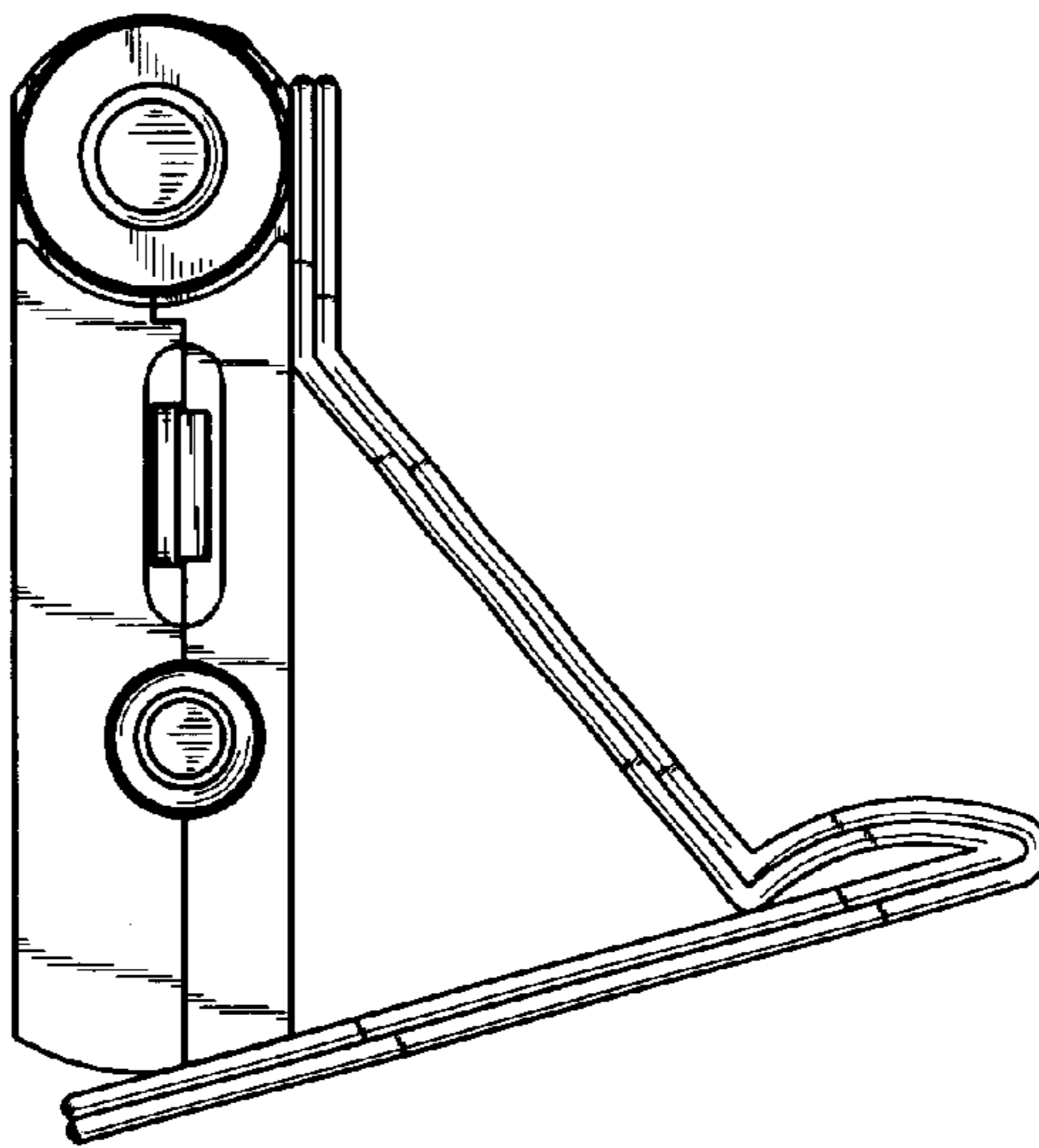


Fig. 5

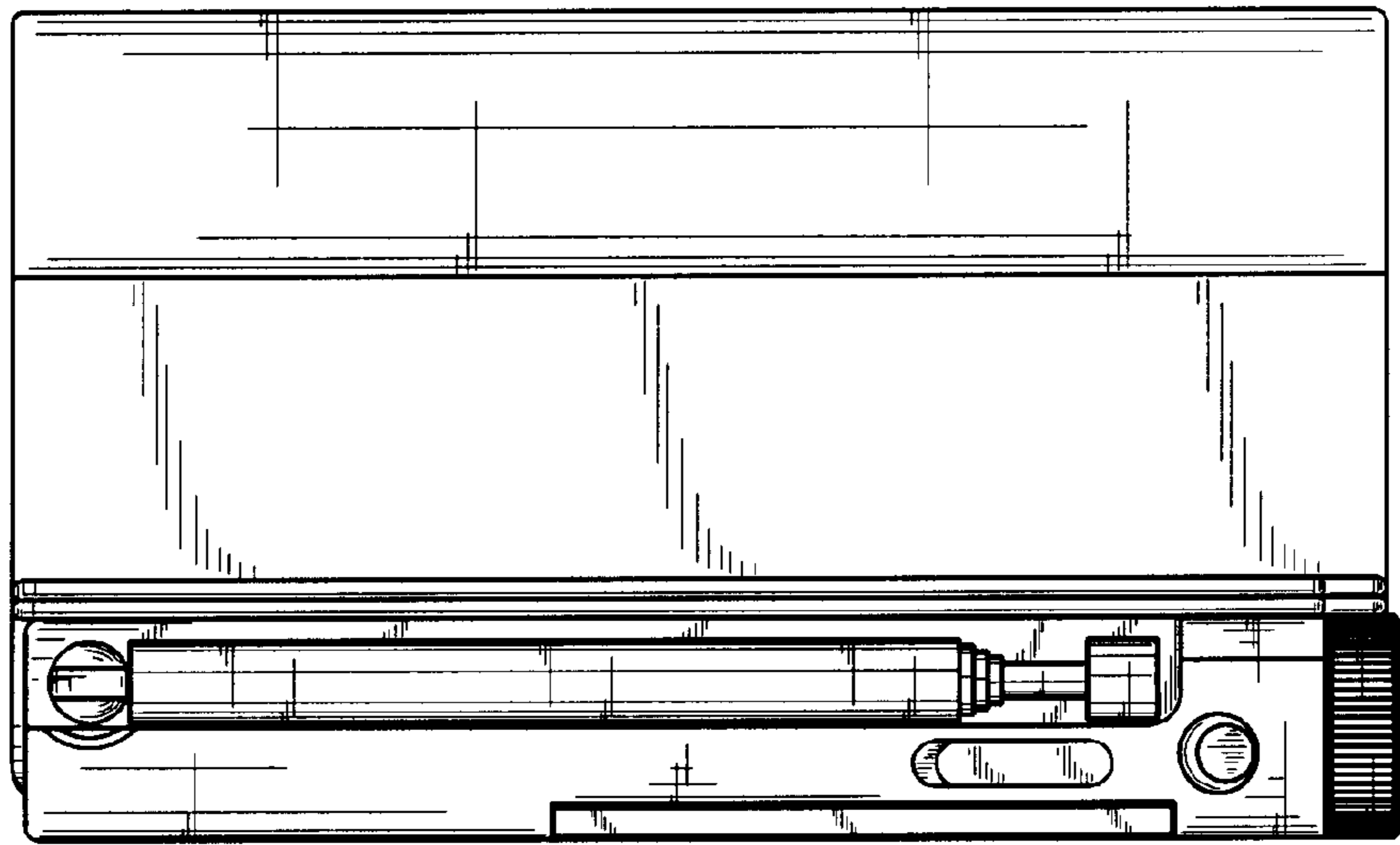


Fig. 6

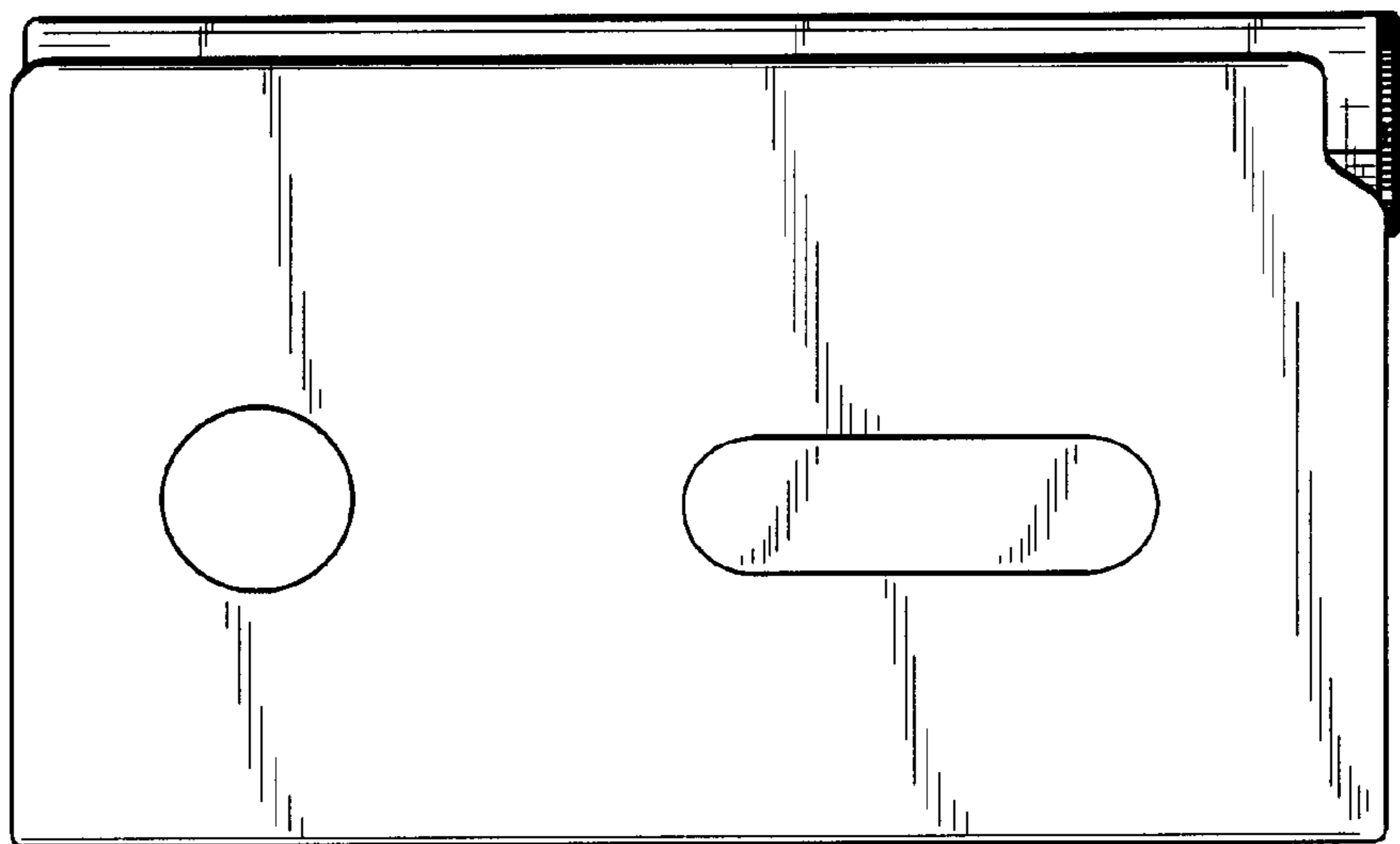


Fig. 7