



US00D455142S

(12) **United States Design Patent**
Saitoh

(10) **Patent No.:** **US D455,142 S**

(45) **Date of Patent:** **** Apr. 2, 2002**

(54) **COMBINED DIGITAL AUDIO DISK PLAYER AND RADIO**

D262,963 S * 2/1982 Hiraki D14/136
D280,079 S * 8/1985 Yamagata et al. D14/159
D421,436 S * 3/2000 Matsuoka D14/156

(75) Inventor: **Naoki Saitoh**, Hiroshima (JP)

* cited by examiner

(73) Assignee: **Sharp Kabushiki Kaisha**, Osaka (JP)

Primary Examiner—Nanda Bondade

(**) Term: **14 Years**

(74) *Attorney, Agent, or Firm*—Nixon & Vanderhye

(21) Appl. No.: **29/144,062**

(57) **CLAIM**

(22) Filed: **Jun. 26, 2001**

The ornamental design for a “combined digital audio disk player and radio,” as shown and described.

(30) **Foreign Application Priority Data**

DESCRIPTION

Dec. 26, 2000 (JP) 2000-036986

(51) **LOC (7) Cl.** **14-01**

FIG. 1 is a top, front and left side perspective view of a combined digital audio disk player and radio according to my design;

(52) **U.S. Cl.** **D14/168; D14/156**

FIG. 2 is a front elevational view thereof;

(58) **Field of Search** D14/135–136,

FIG. 3 is a top plan view thereof;

D14/156–159, 160–165, 167–168, 188,

FIG. 4 is a rear elevational view thereof;

193–198; 369/75.1, 75.2, 77.1, 77.2; 455/344,

FIG. 5 is a bottom plan view thereof;

347–351

FIG. 6 is a left side elevational view thereof; and,

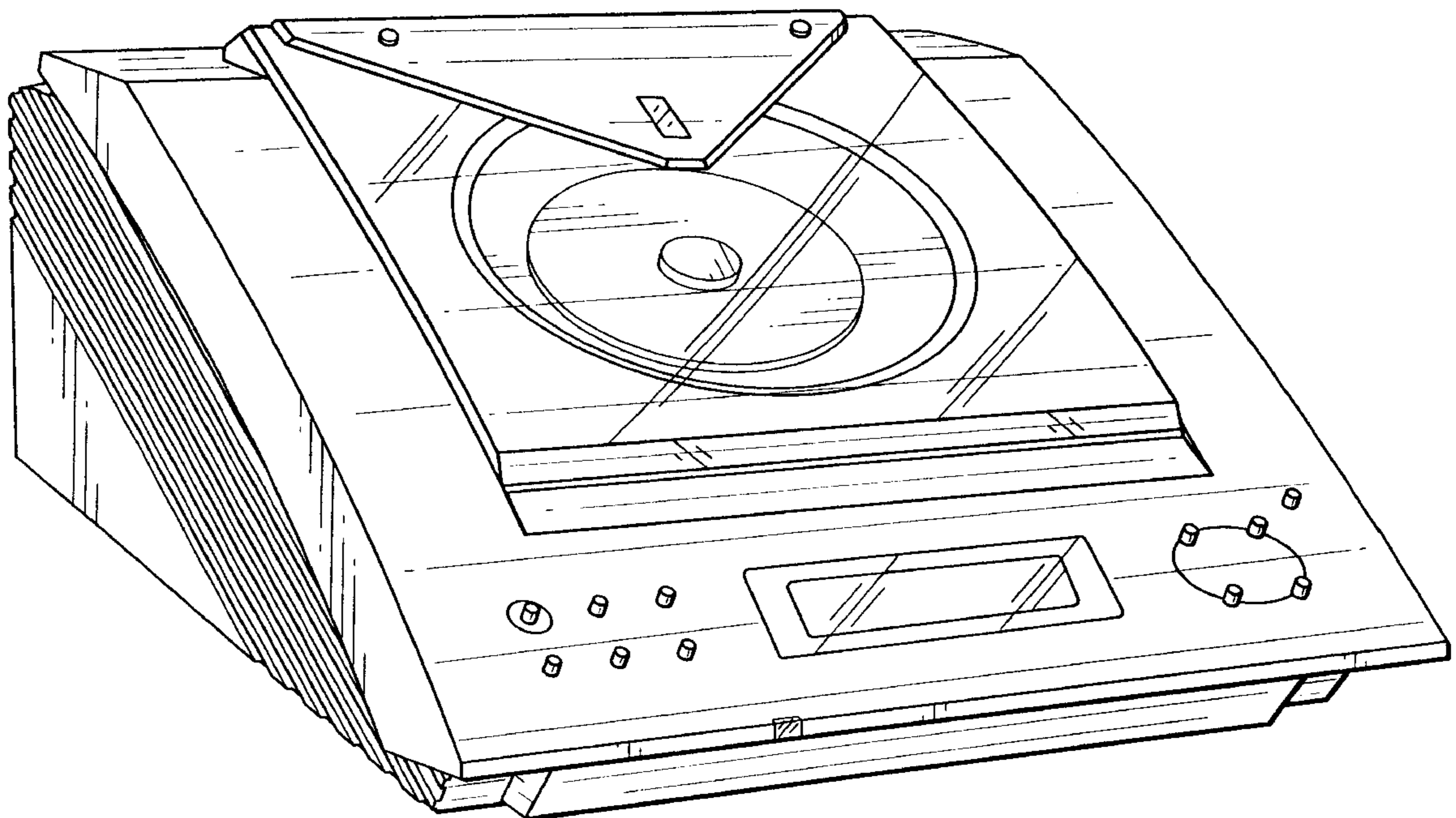
(56) **References Cited**

FIG. 7 is a right side elevational view thereof.

U.S. PATENT DOCUMENTS

D239,407 S * 3/1976 Poel D14/156

1 Claim, 6 Drawing Sheets



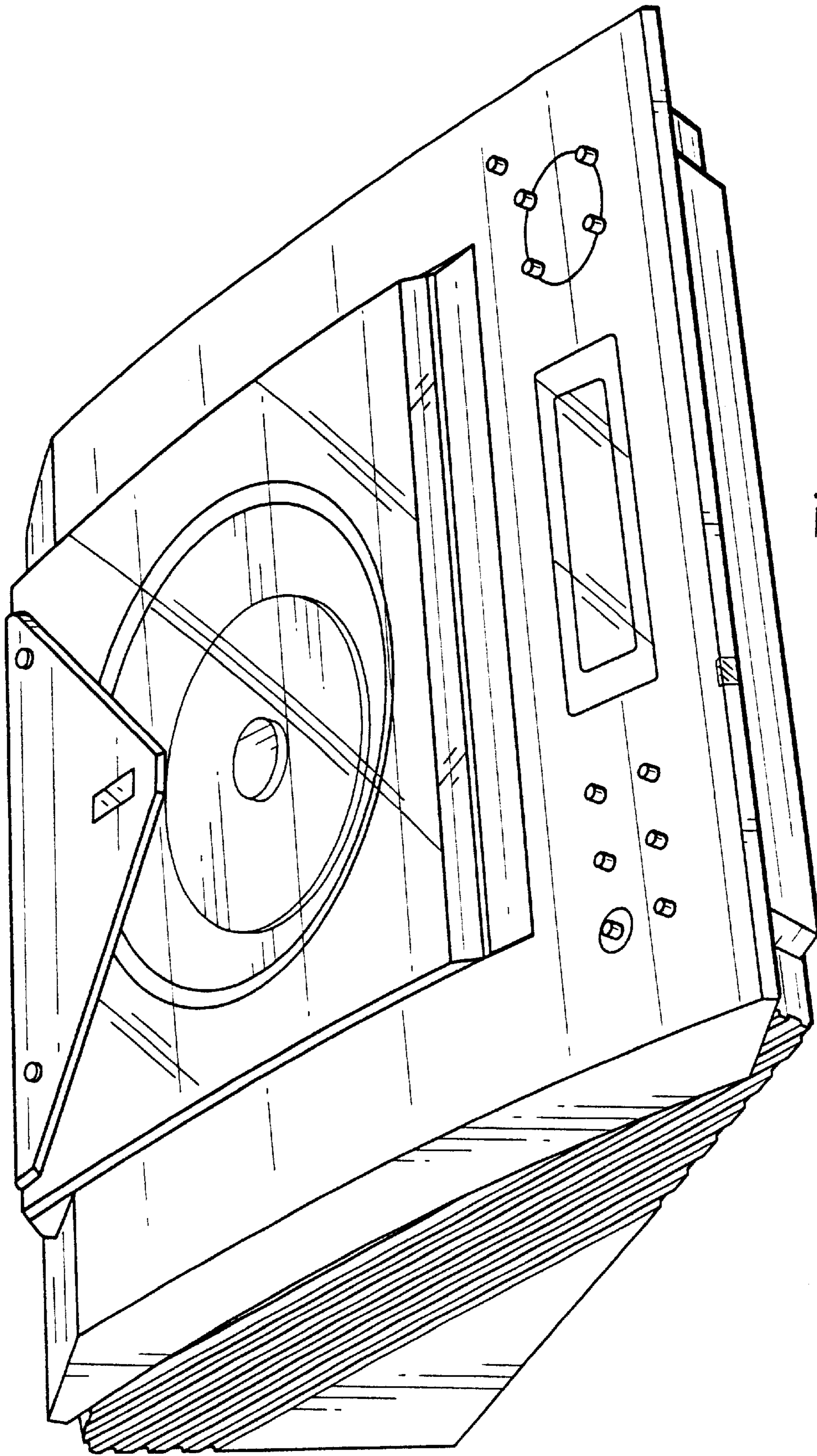


Fig. 1

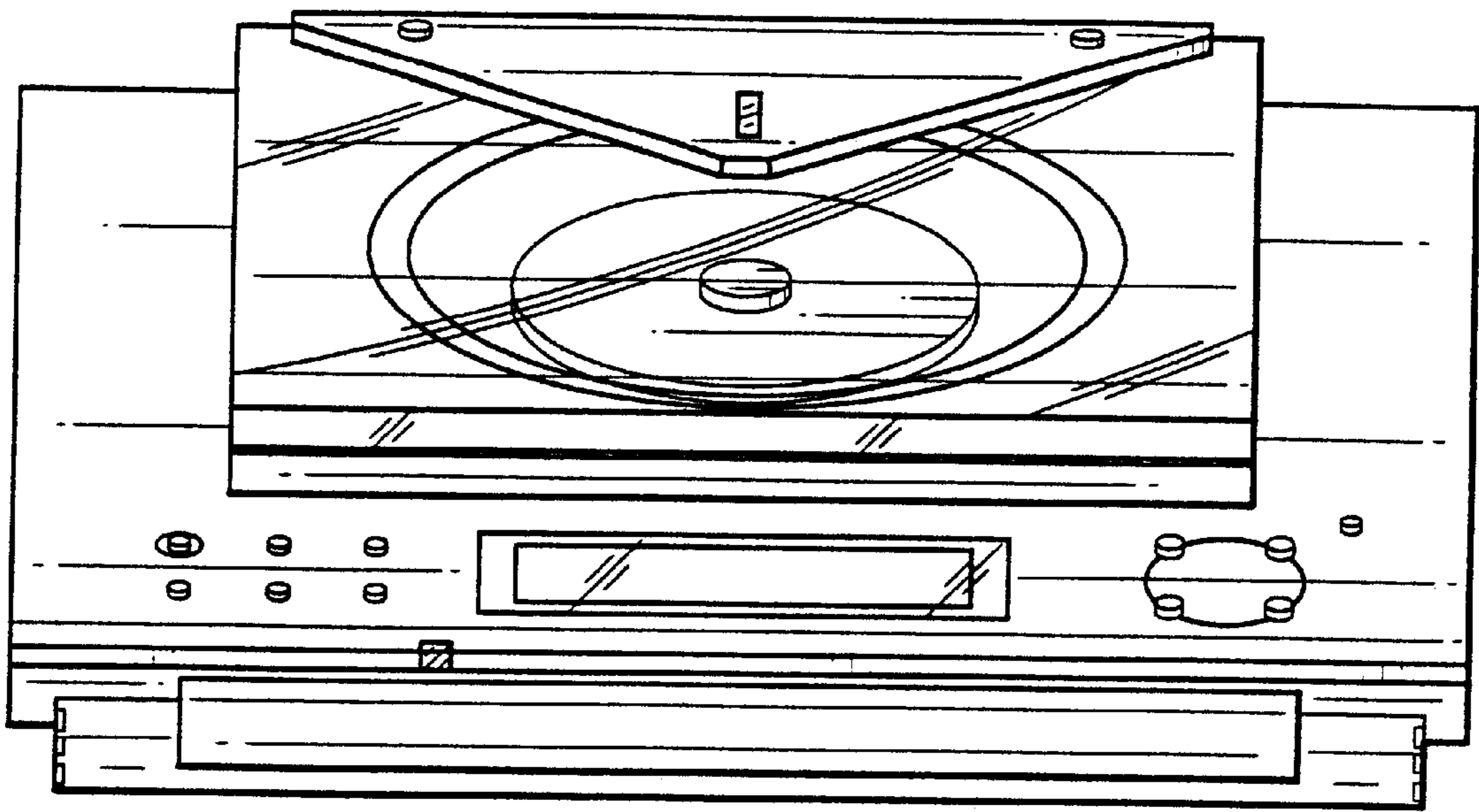


Fig. 2

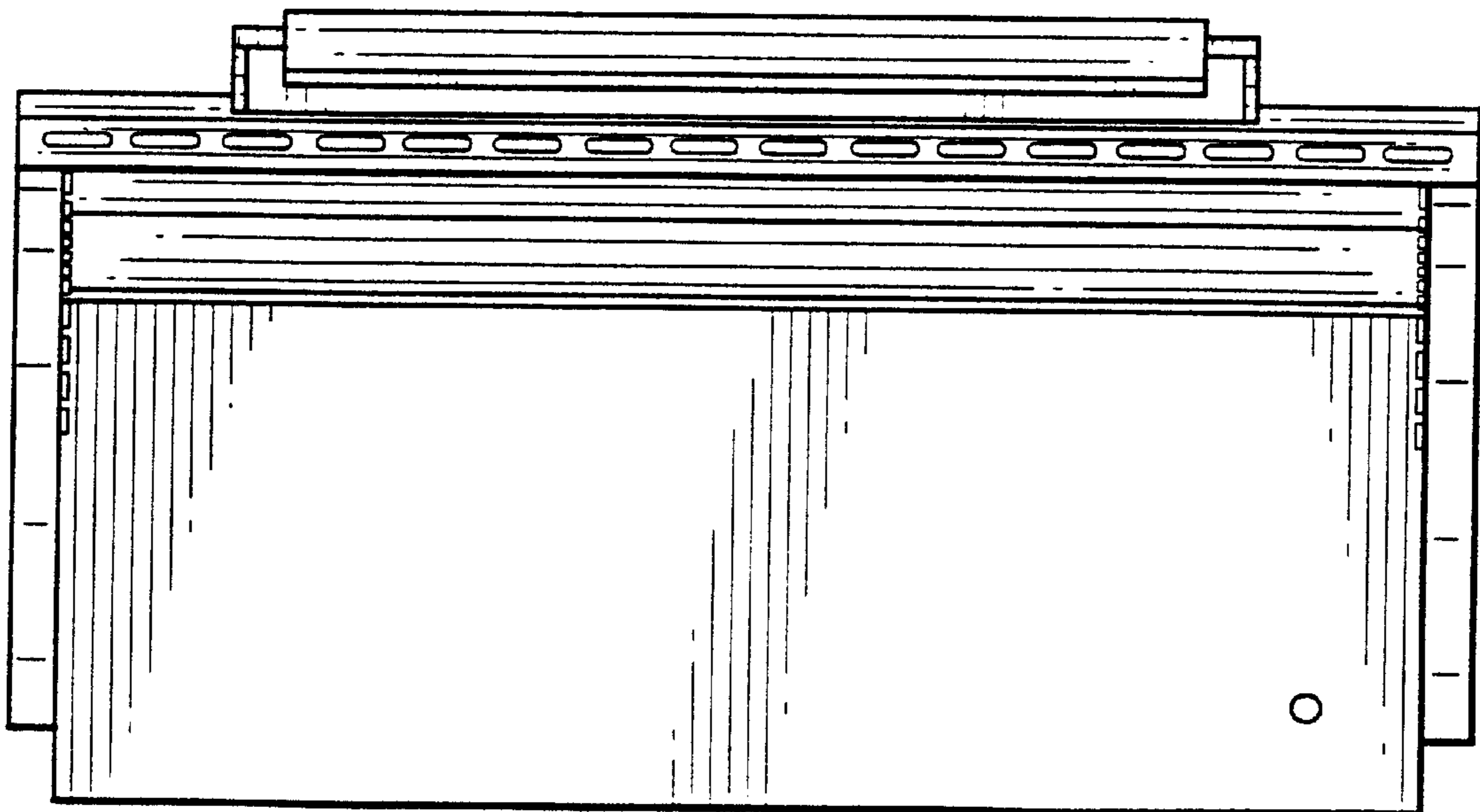


Fig. 4

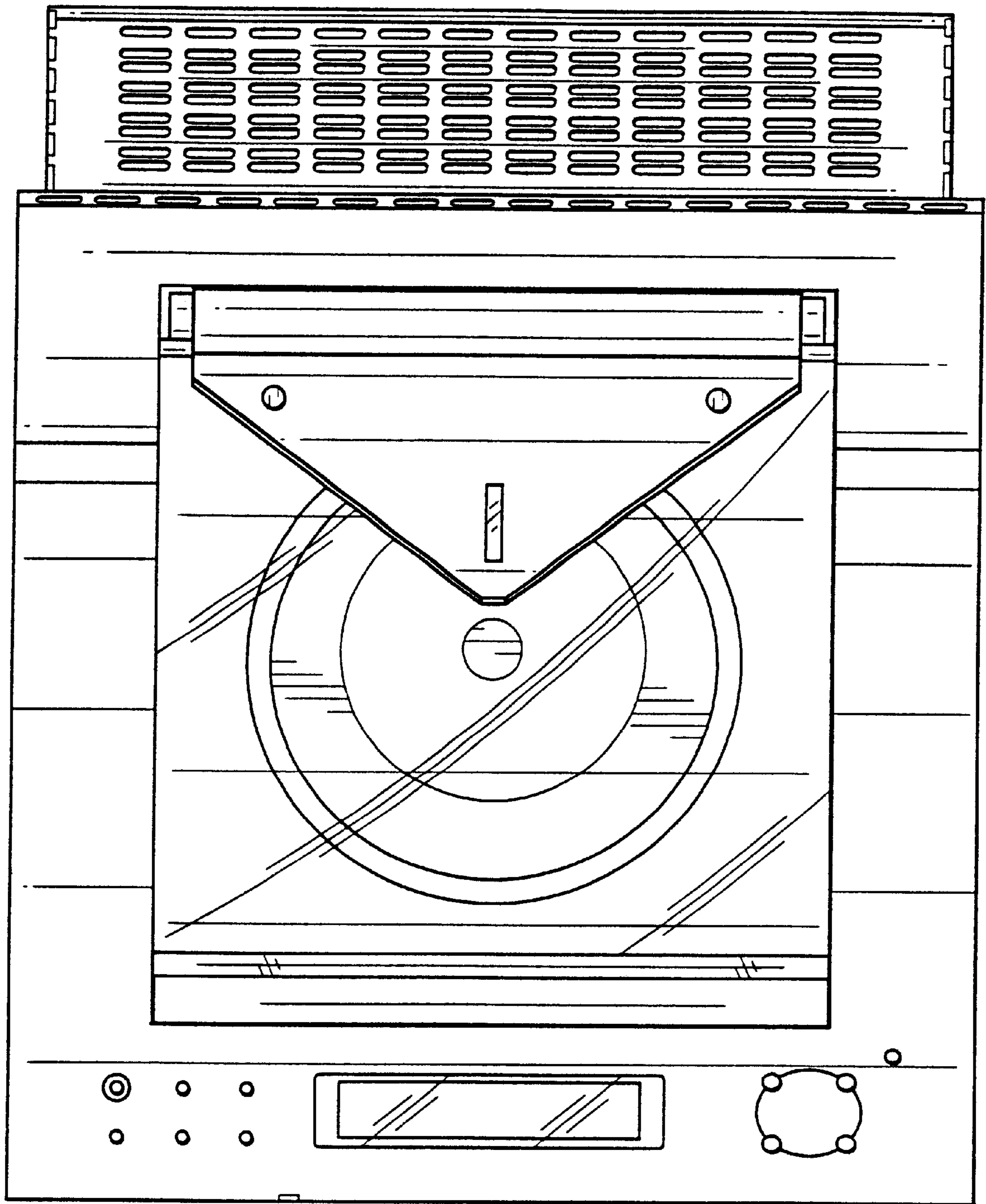


Fig. 3

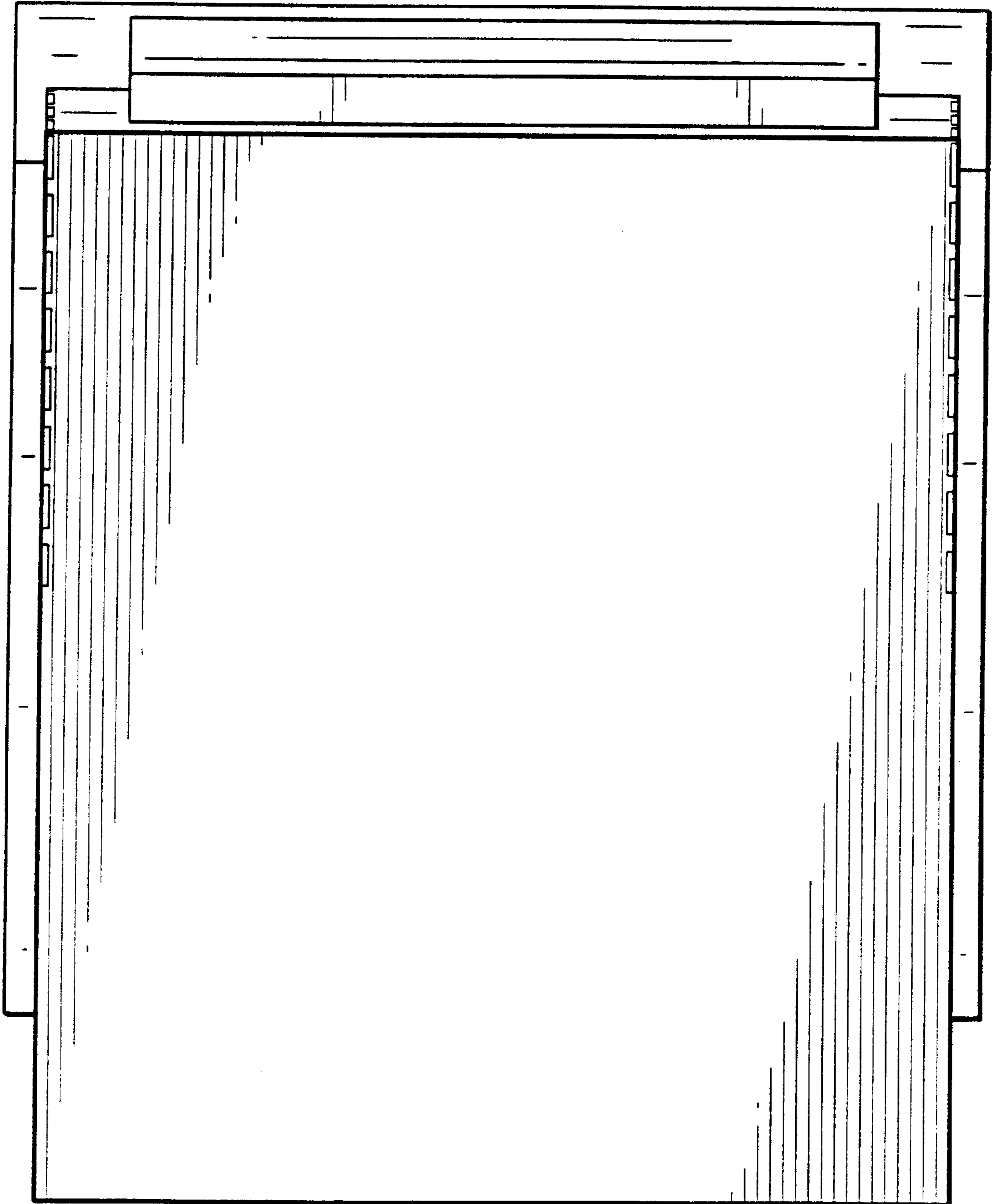


Fig. 5

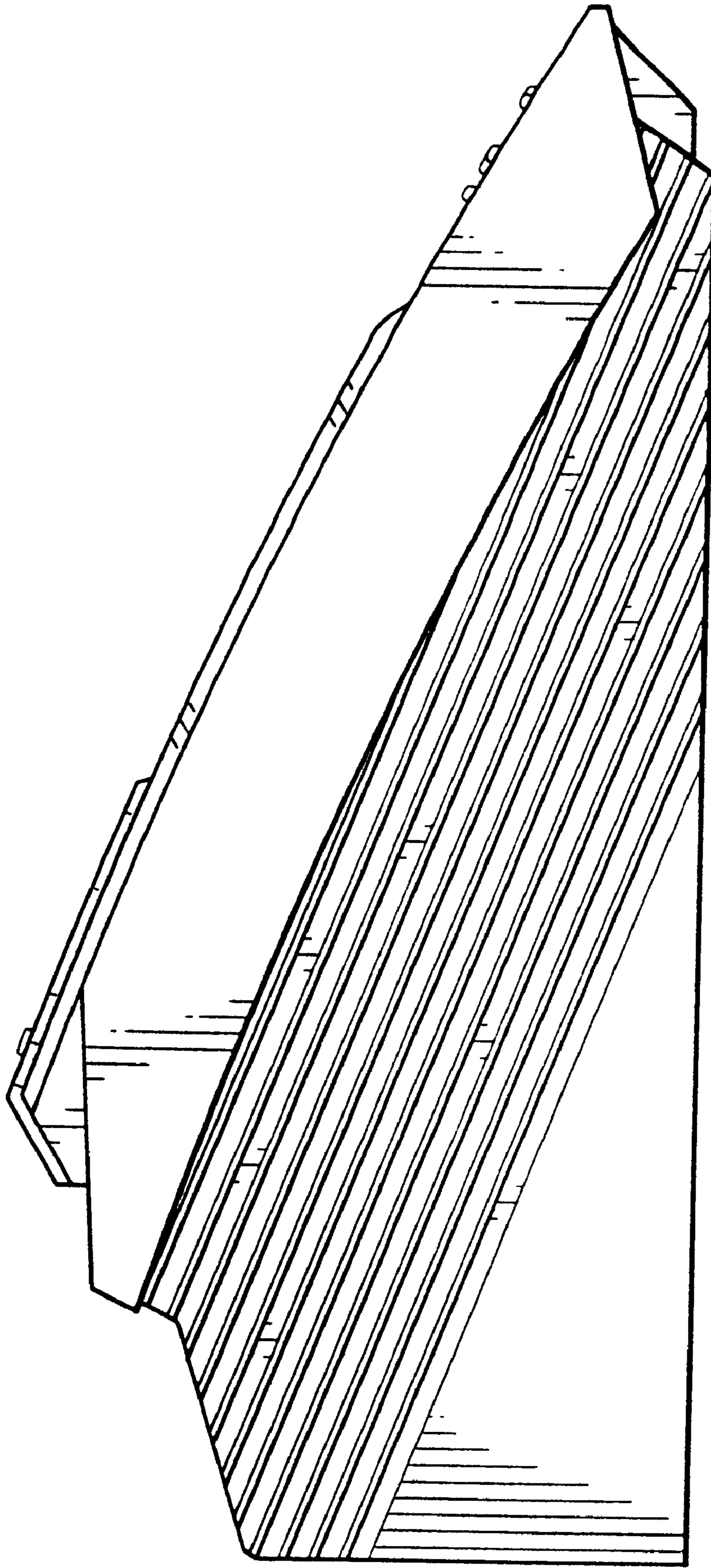


Fig. 6

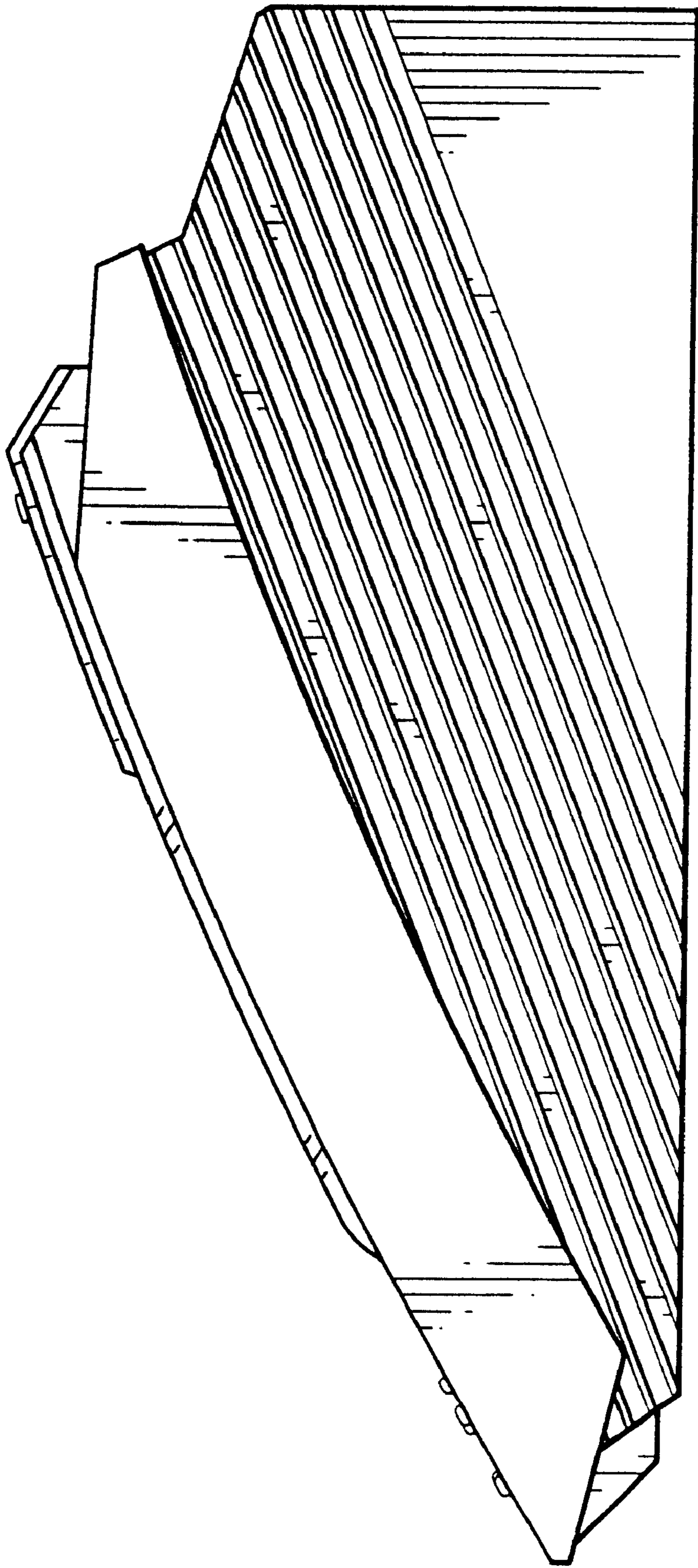


Fig. 7