



US00D455141S

(12) **United States Design Patent**
Kobayashi

(10) **Patent No.:** **US D455,141 S**

(45) **Date of Patent:** **** Apr. 2, 2002**

(54) **DISC RECORDER**

Catalog, "95", 5 sheets, Sony Corporation, (Jul./2000).

(75) Inventor: **Takayuki Kobayashi**, Tokyo (JP)

* cited by examiner

(73) Assignee: **Sony Corporation**, Tokyo (JP)

Primary Examiner—Prabhakar Deshmukh

(**) Term: **14 Years**

(74) *Attorney, Agent, or Firm*—Rader, Fishman & Grauer, PLLC

(21) Appl. No.: **29/139,793**

(57) **CLAIM**

(22) Filed: **Apr. 6, 2001**

The ornamental design for a disc recorder, as shown and described.

(51) **LOC (7) Cl.** **14-01**

(52) **U.S. Cl.** **D14/167**

(58) **Field of Search** D14/135, 136,
D14/155, 156, 157, 160–168, 188; 312/7.1;
369/75.1, 75.2, 77.1, 77.2

DESCRIPTION

(56) **References Cited**

U.S. PATENT DOCUMENTS

4,811,314 A	*	3/1989	Alves	369/10
D361,766 S	*	8/1995	MacKay	D14/167
5,666,343 A	*	9/1997	Ahn	369/77.2
D425,890 S		5/2000	Kataoka		
D426,222 S	*	6/2000	Kobayashi	D14/167
D429,230 S		8/2000	Shiono		
D443,259 S	*	6/2001	Okubo	D14/167

FIG. 1 is a perspective view of a disc recorder showing my new design;

FIG. 2 is a front elevational view thereof;

FIG. 3 is a reference rear elevational view thereof;

FIG. 4 is a reference left side elevational view thereof;

FIG. 5 is a reference right side elevational view thereof;

FIG. 6 is a reference top plan view thereof; and

FIG. 7 is a reference bottom plan view thereof.

FIG. 8 is another embodiment of a perspective view of a disc recorder showing my new design; and,

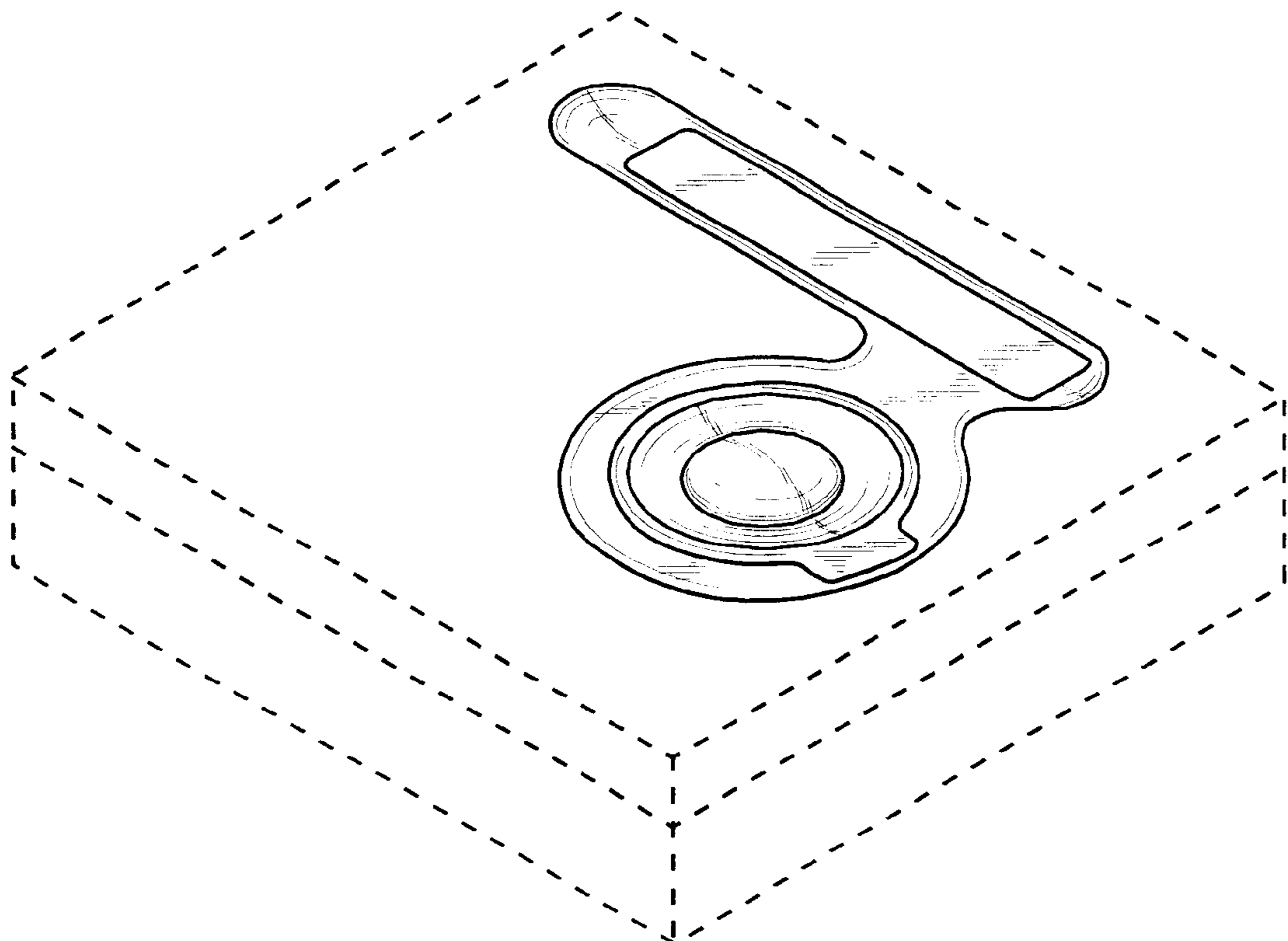
FIG. 9 is a front elevational view thereof.

The broken lines are for illustrative purposes only and form no part of the claimed design.

OTHER PUBLICATIONS

Catalog, "Planet Walkman", 4 sheets, Sony Corporation, (Apr./2000).

1 Claim, 5 Drawing Sheets



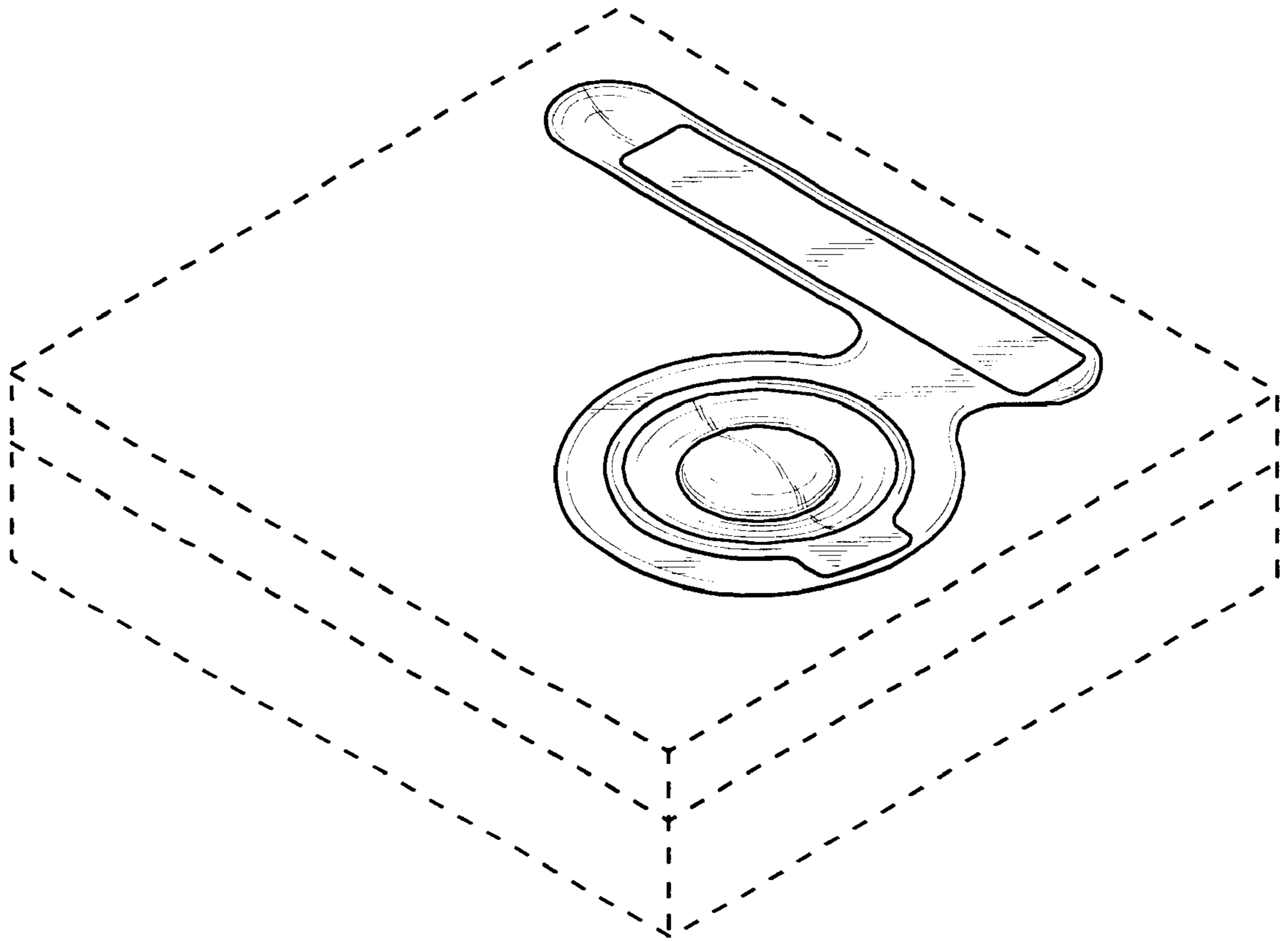


Fig. 1

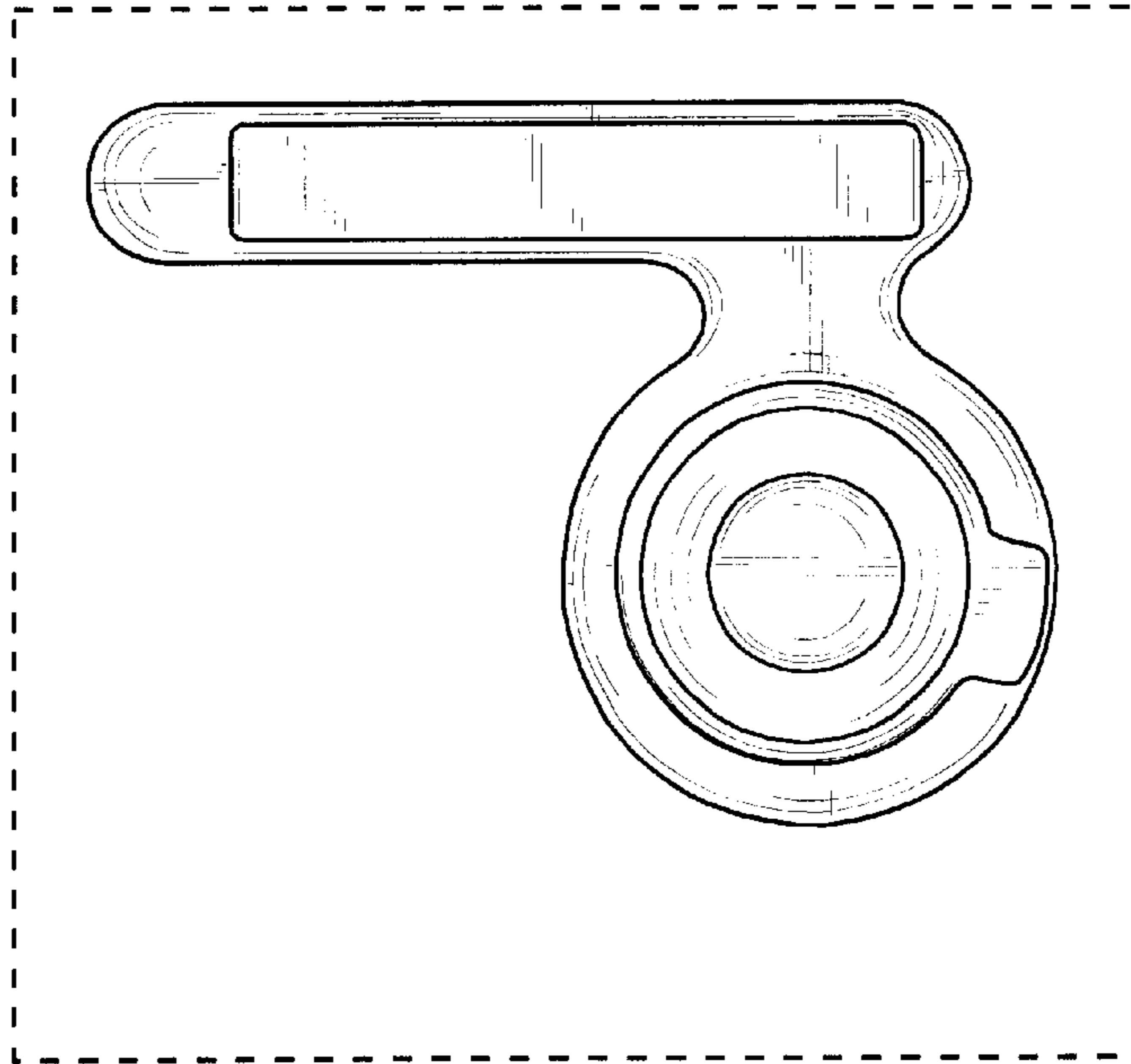


Fig. 2



Fig. 3

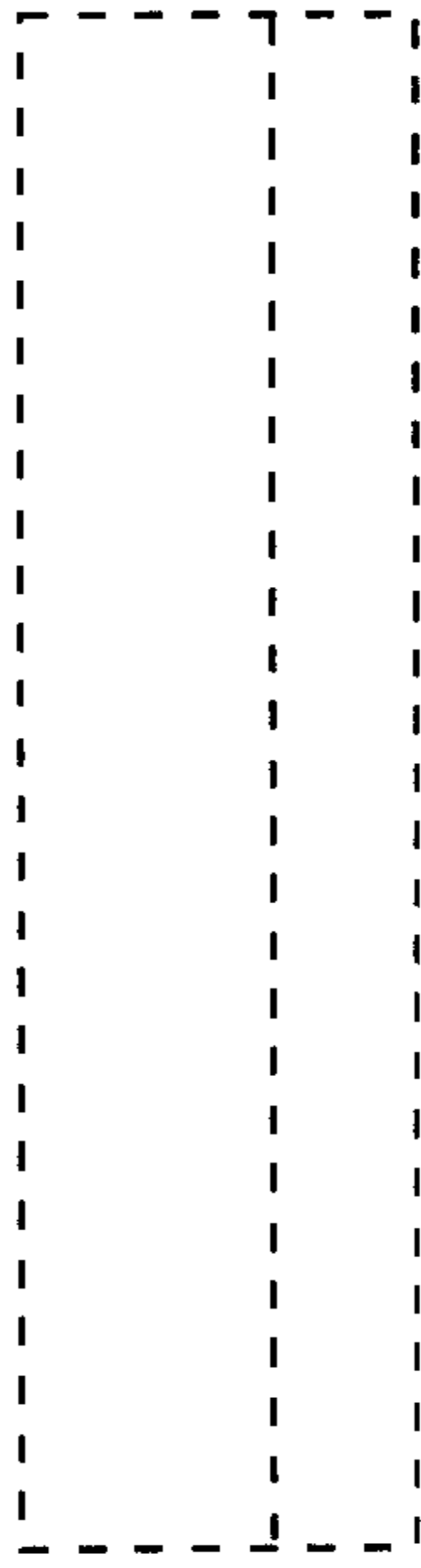


Fig. 4

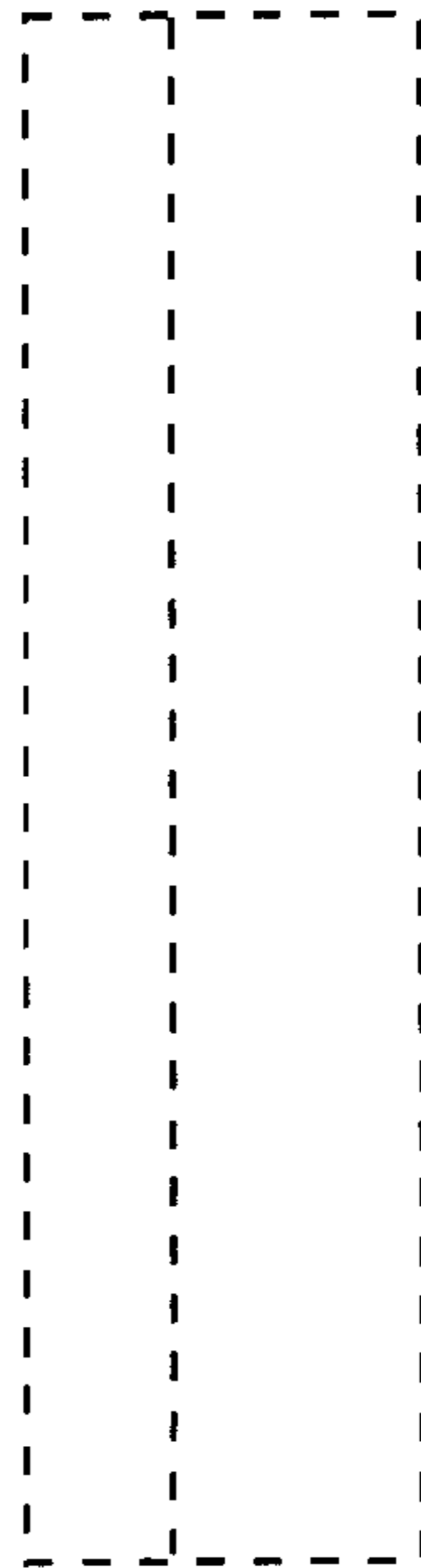


Fig. 5

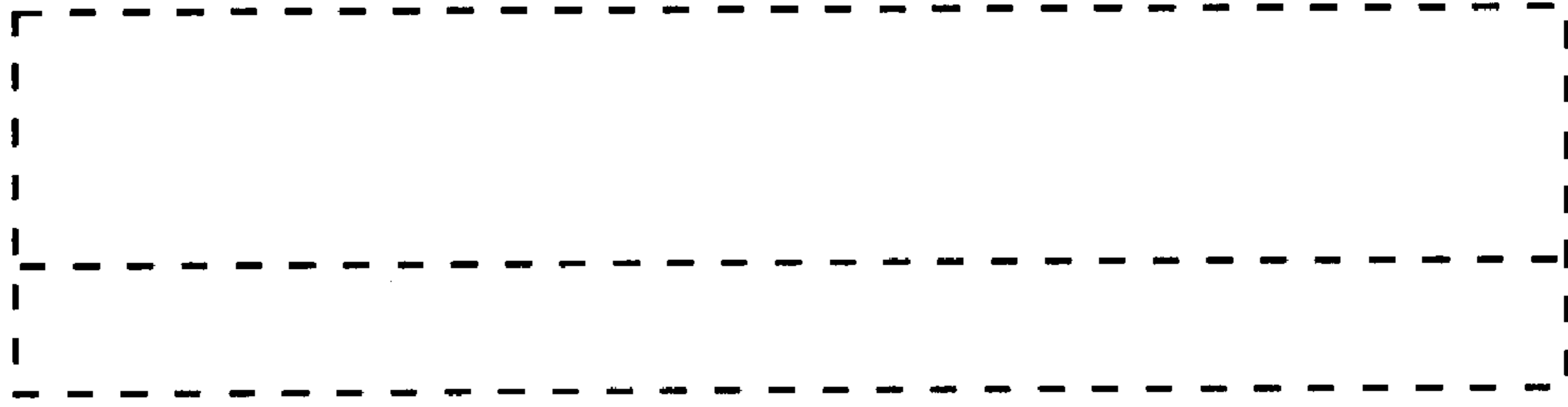


Fig. 6

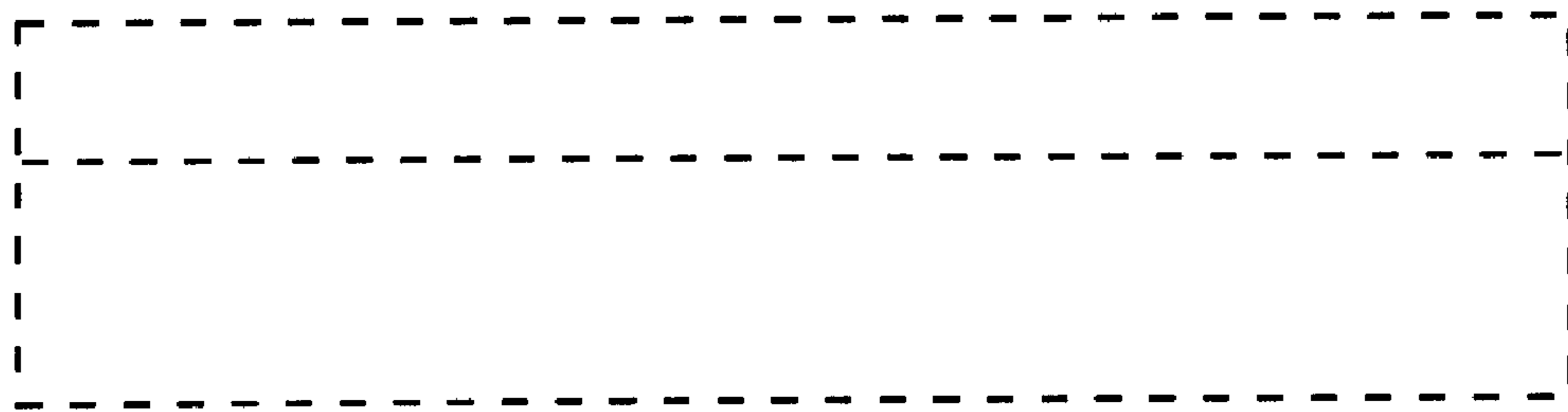


Fig. 7

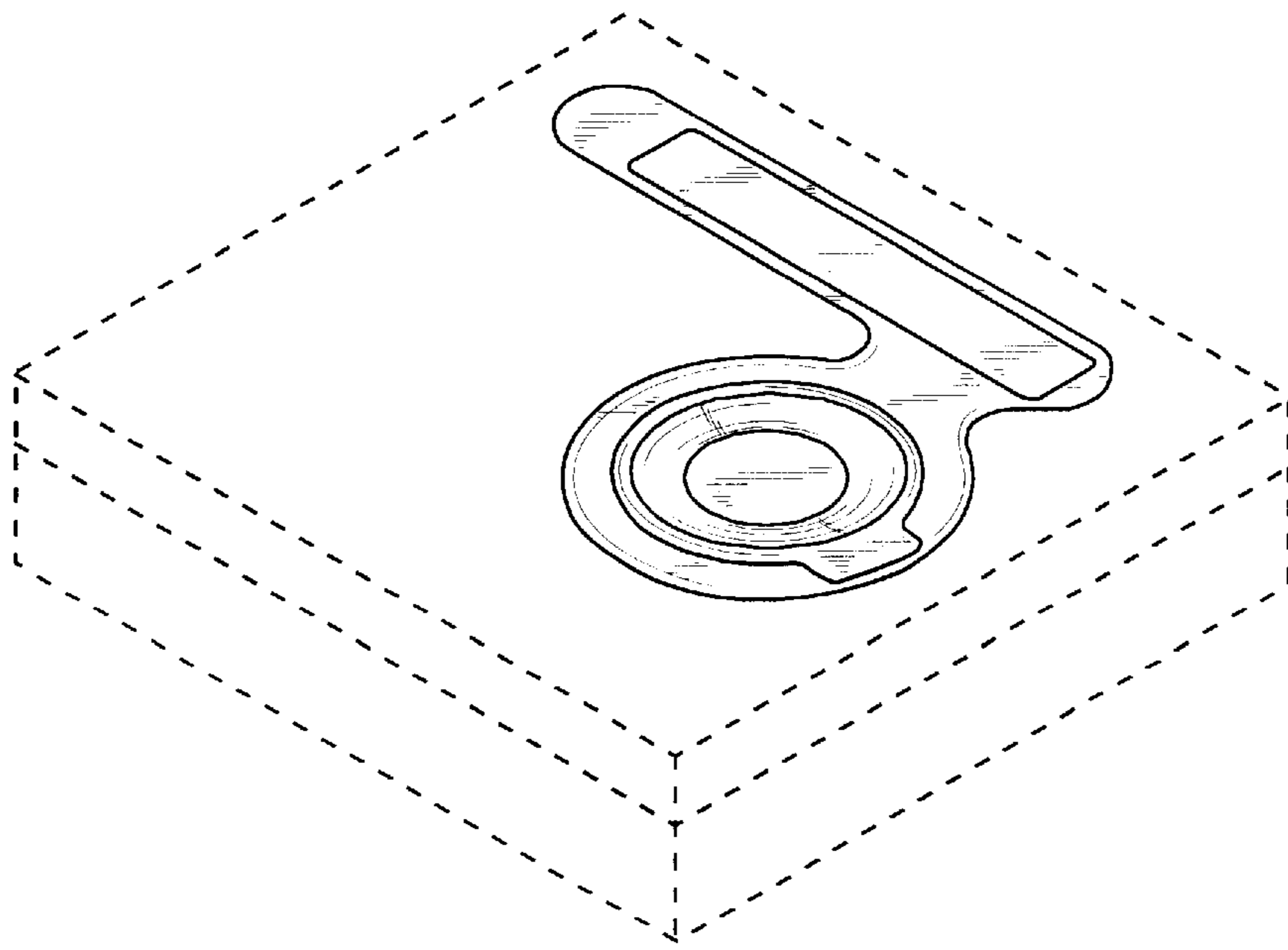


Fig. 8

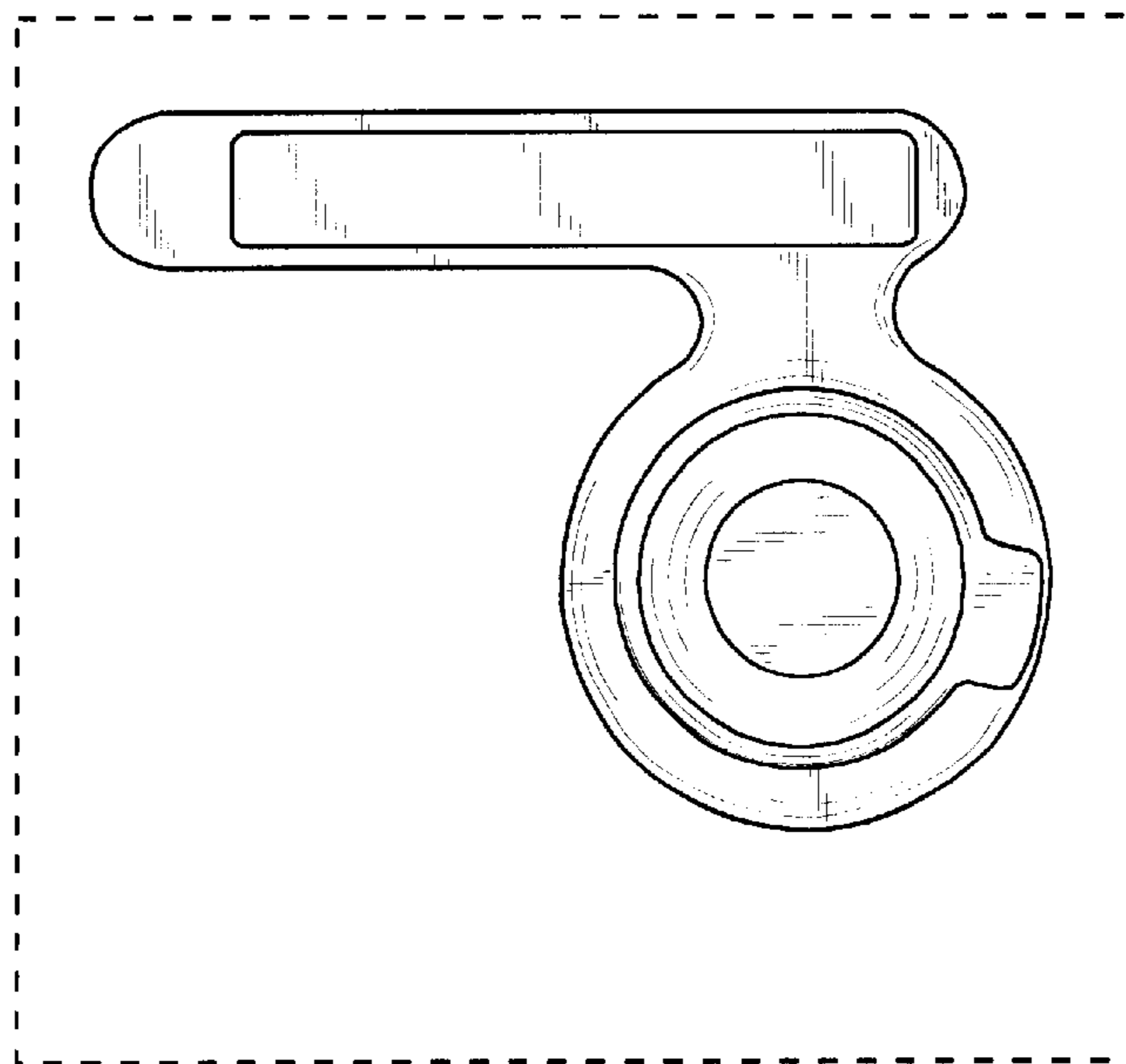


Fig. 9