



US00D455140S

(12) **United States Design Patent**
Chuan et al.

(10) **Patent No.:** **US D455,140 S**

(45) **Date of Patent:** **** Apr. 2, 2002**

(54) **VOICE RECORDER**

(75) Inventors: **Lim Kok Chuan; Lim Kee Yong;**
Chin Ming Seng; Rebekka Haefner,
all of Singapore (SG)

(73) Assignee: **Patria Design Centre PTE Ltd.,**
Singapore (SG)

(**) Term: **14 Years**

(21) Appl. No.: **29/124,238**

(22) Filed: **Jun. 2, 2000**

(30) **Foreign Application Priority Data**

Jan. 14, 2000 (GB) 2089499

(51) **LOC (7) Cl.** **14-01**

(52) **U.S. Cl.** **D14/167**

(58) **Field of Search** D14/137, 160-167,
D14/168, 188; 455/344, 347, 350-351

(56) **References Cited**

U.S. PATENT DOCUMENTS

D383,755 S * 9/1997 Muller et al. D14/168 X

D400,879 S * 11/1998 Lo D14/167

D406,139 S * 2/1999 Shimatsu et al. D14/167

D407,402 S * 3/1999 Shimatsu et al. D14/167

* cited by examiner

Primary Examiner—Nanda Bondade

(74) *Attorney, Agent, or Firm*—Morgan & Finnegan, LLP

(57) **CLAIM**

The ornamental design for a voice recorder, as shown .

DESCRIPTION

FIG. 1 is a perspective view of a design for the voice recorder;

FIG. 2 is an alternate perspective view thereof;

FIG. 3 is a top plan view thereof;

FIG. 4 is a bottom plan view thereof;

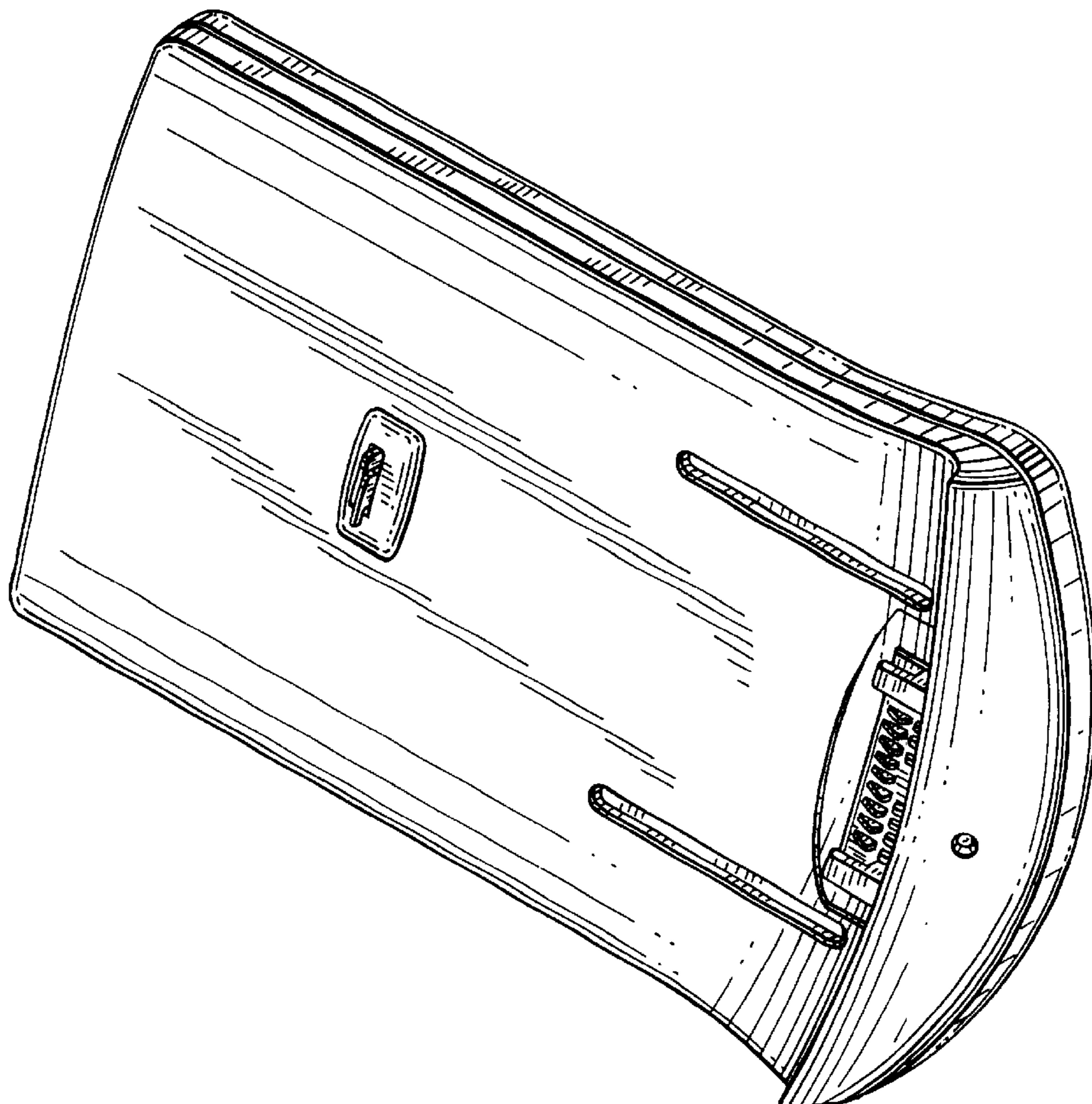
FIG. 5 is a front elevational view thereof;

FIG. 6 is a rear elevational view thereof;

FIG. 7 is a left side elevational view thereof; and,

FIG. 8 is a right side elevational view thereof.

1 Claim, 4 Drawing Sheets



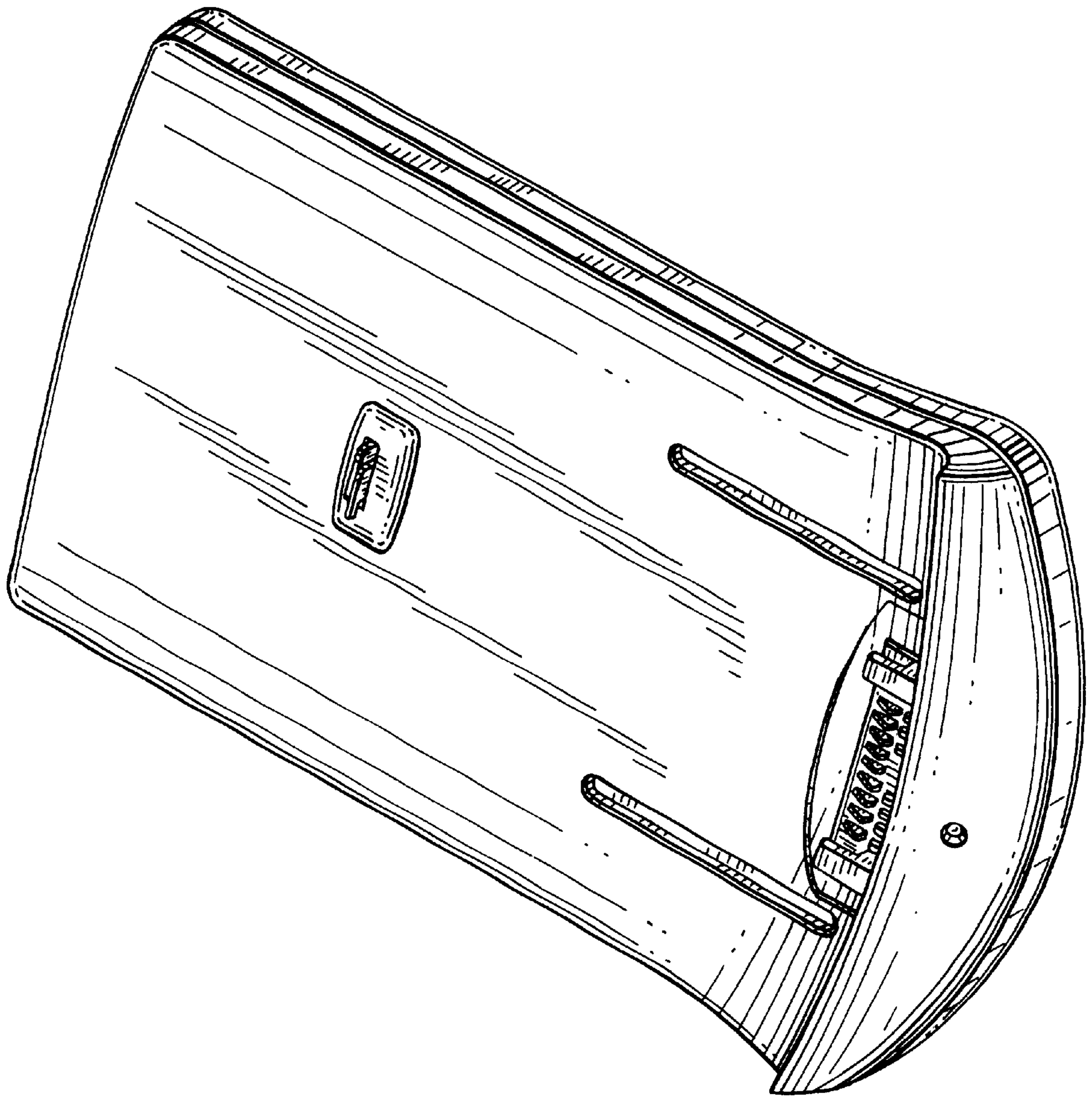


FIG. 1

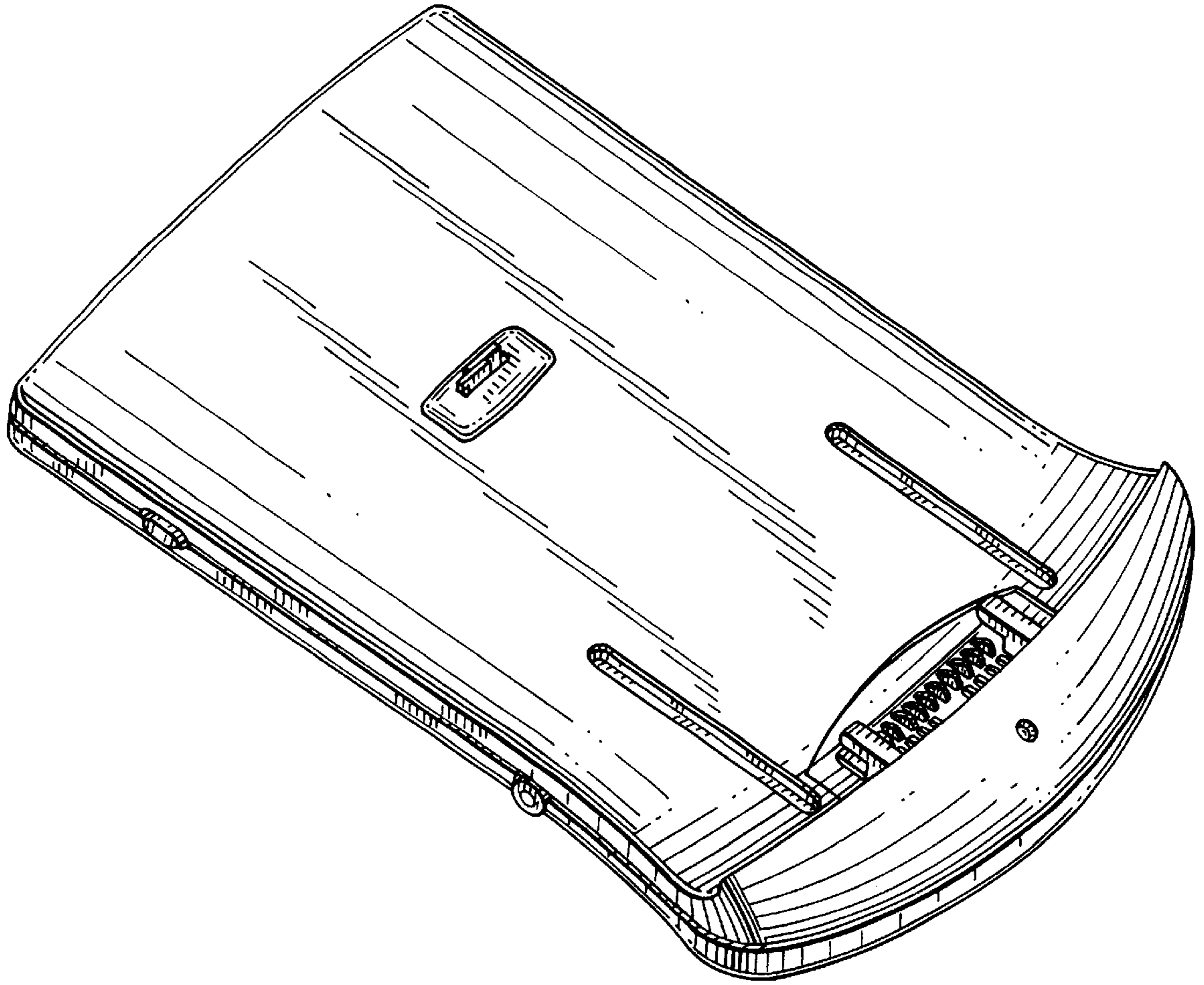


FIG. 2

FIG. 3

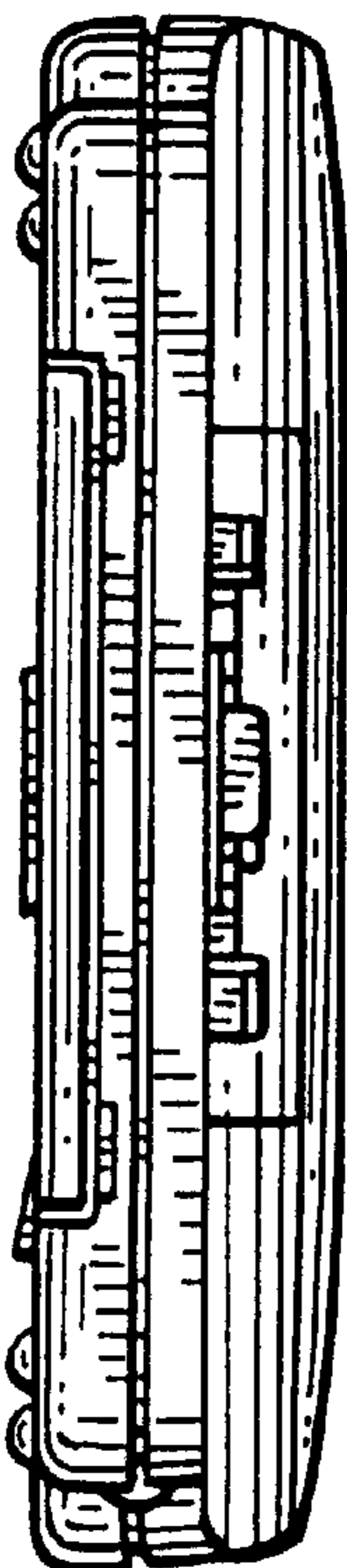
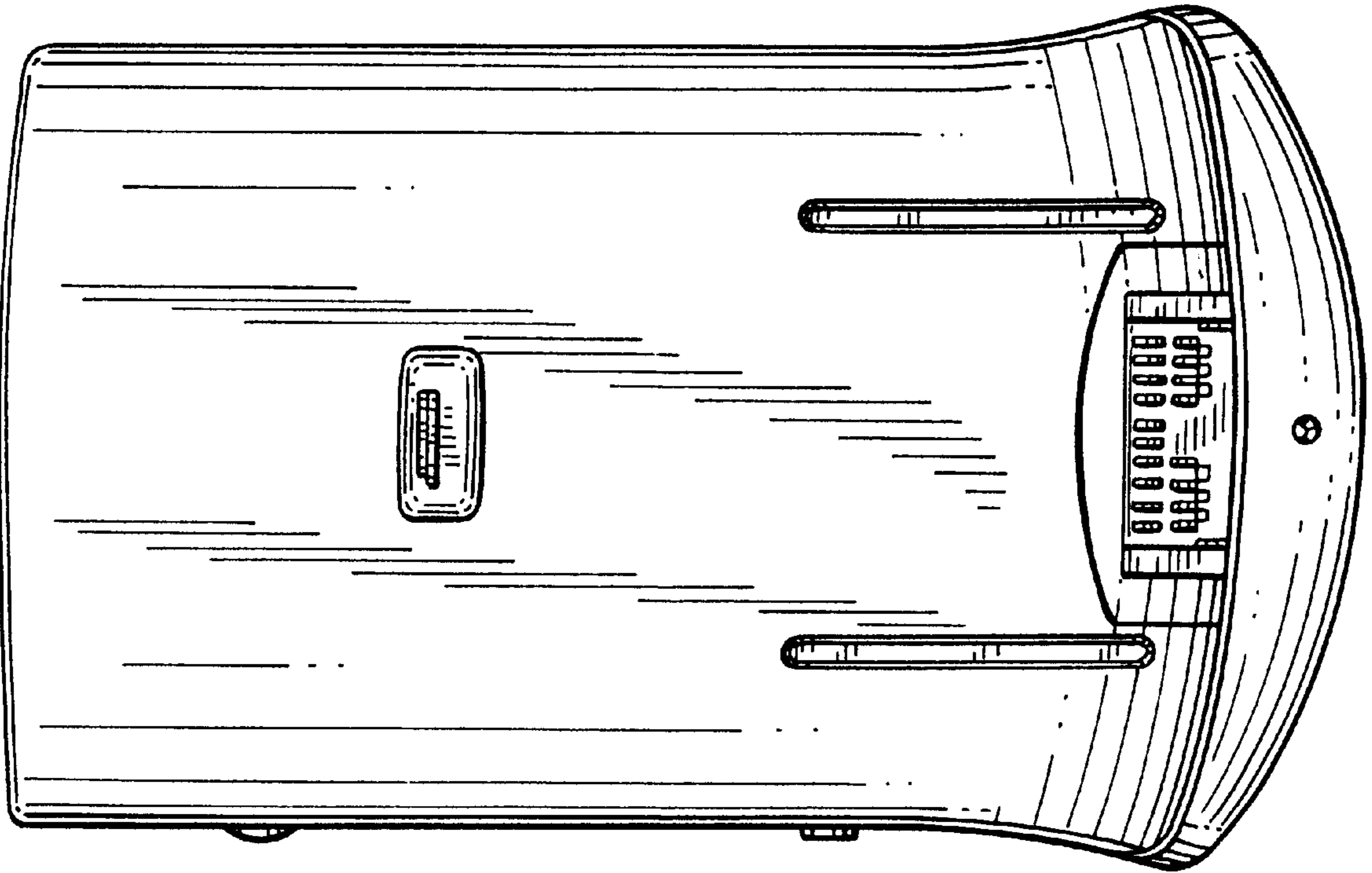


FIG. 5

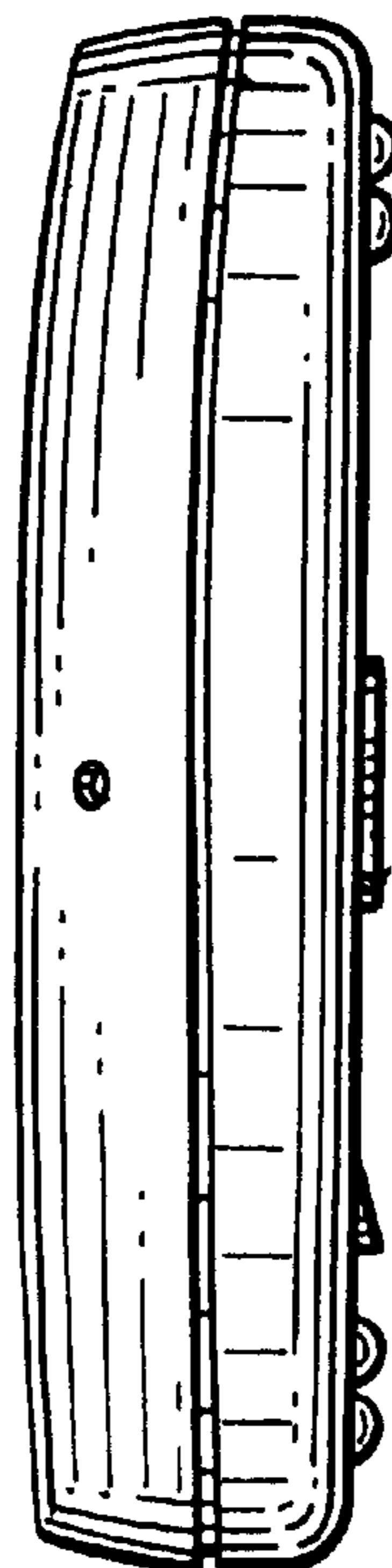


FIG. 6

FIG. 4

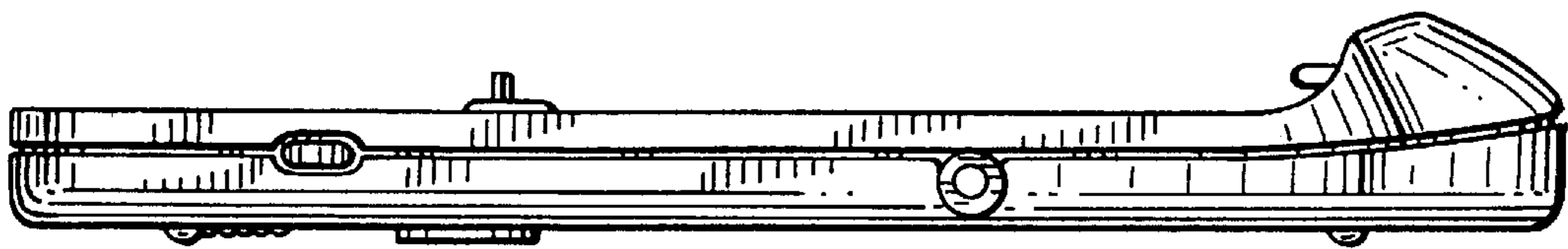
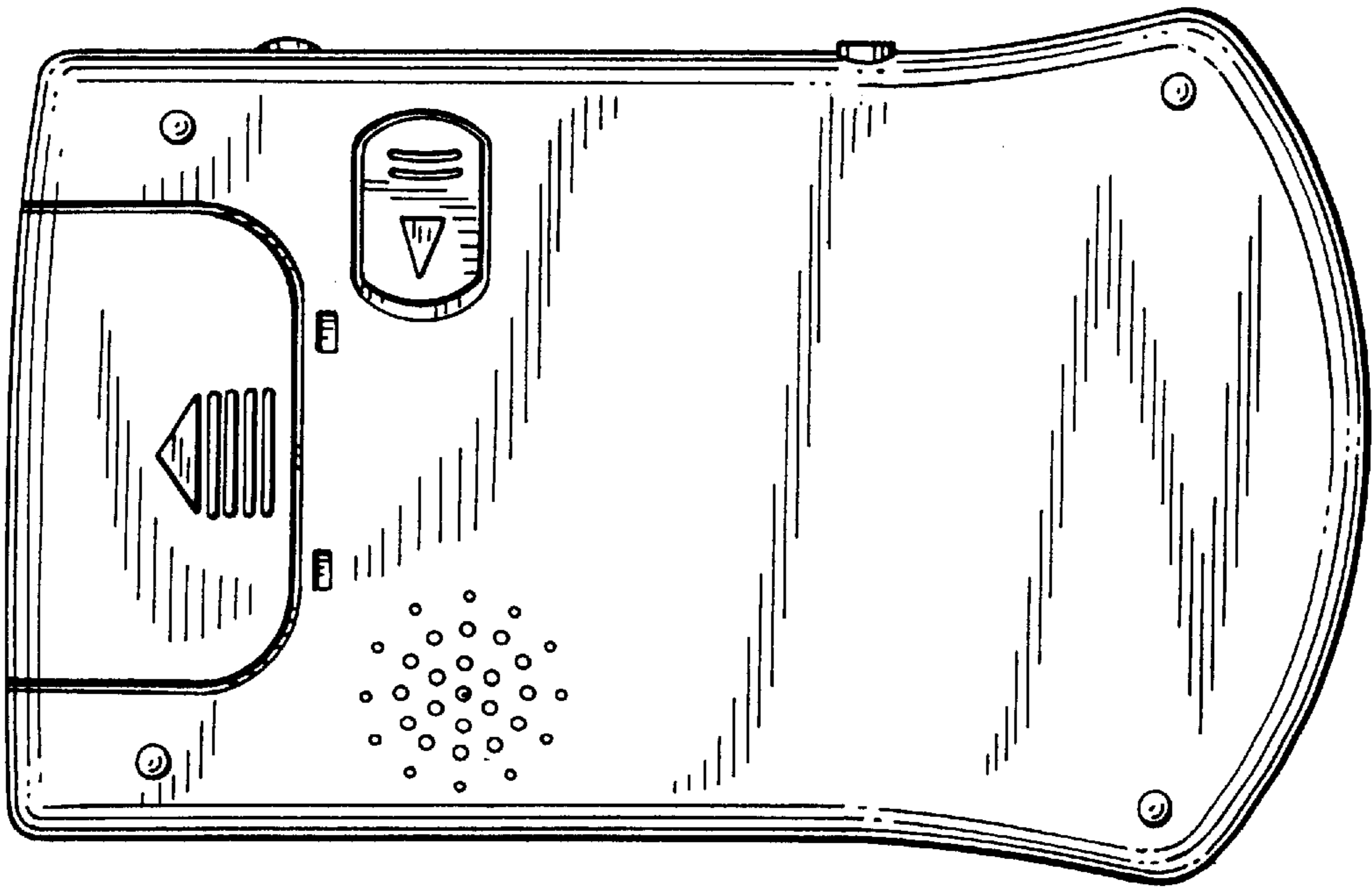


FIG. 7

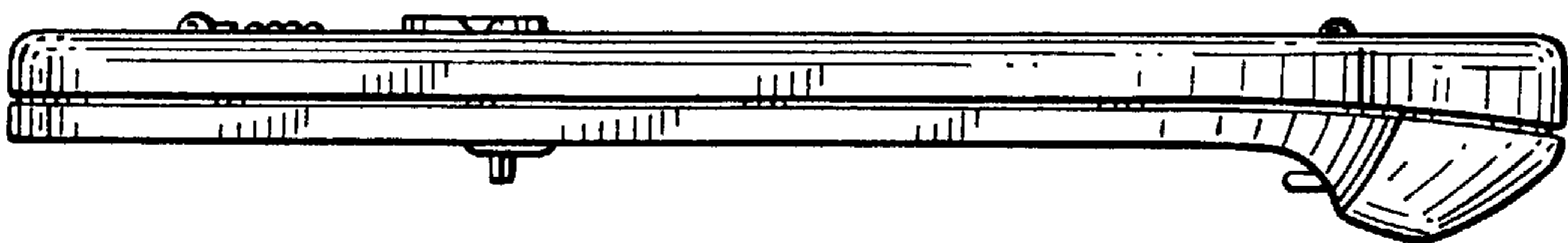


FIG. 8