



US00D455135S

(12) **United States Design Patent**
Hyun

(10) **Patent No.:** **US D455,135 S**

(45) **Date of Patent:** **** Apr. 2, 2002**

(54) **CELLULAR PHONE**

(75) **Inventor:** **Sang-min Hyun, Goyang (KR)**

(73) **Assignee:** **Samsung Electronics Co., Ltd. (KR)**

(**) **Term:** **14 Years**

(21) **Appl. No.:** **29/143,099**

(22) **Filed:** **Jun. 8, 2001**

(30) **Foreign Application Priority Data**

Apr. 12, 2001 (KR) 01-9458

(51) **LOC (7) Cl. 14-03**

(52) **U.S. Cl. D14/138**

(58) **Field of Search D14/137, 138,**
D14/218, 147-148, 247-248, 144, 341-347;
379/433.01-433.13, 419, 434, 428.01-428.04,
420.01-420.04, 440; 455/550-575, 90

(56) **References Cited**

U.S. PATENT DOCUMENTS

D408,030 S	*	4/1999	Richards et al.	D14/138
6,047,196 A	*	4/2000	Makela et al.	455/556
D428,403 S	*	7/2000	Hyun	D14/138
D429,709 S	*	8/2000	Nagele et al.	D14/138
D430,859 S	*	9/2000	Lindeman et al.	D14/138
D432,510 S	*	10/2000	Hyun	D14/138
D432,511 S	*	10/2000	Eckholm	D14/138
D432,535 S	*	10/2000	Loh et al.	D14/345
D433,016 S	*	10/2000	Matsuda et al.	D14/345
D439,571 S	*	3/2001	Hyun	D14/138
D439,572 S	*	3/2001	Kang	D14/138
6,215,474 B1	*	4/2001	Shah	345/168
6,240,302 B1	*	5/2001	Harrison	455/556
D443,865 S	*	6/2001	Kim	D14/138
D445,411 S	*	7/2001	Kim et al.	D14/138
D445,413 S	*	7/2001	Yano	D14/138

D446,199 S	*	8/2001	Xu et al.	D14/138
D446,201 S	*	8/2001	Kim	D14/138
D446,508 S	*	8/2001	Yoo et al.	D14/138
D447,741 S	*	9/2001	Lee et al.	D14/138
2001/0019946 A1	*	9/2001	Okuda	455/90

* cited by examiner

Primary Examiner—Jeffrey Asch

(74) *Attorney, Agent, or Firm*—Irving Keschner

(57) **CLAIM**

The ornamental design for a cellular phone, as shown.

DESCRIPTION

FIG. 1 is a perspective view of the ornamental design of the present invention with a cellular phone in the closed position;

FIG. 2 is a front elevational view of the ornamental design of the present invention;

FIG. 3 is a rear side elevational view of the ornamental design of the present invention;

FIG. 4 is a left side elevational view of the ornamental design of the present invention;

FIG. 5 is a right side elevational view of the ornamental design of the present invention;

FIG. 6 is a top plan view of the ornamental design of the present invention;

FIG. 7 is a bottom view of the ornamental design of the present invention;

FIG. 8 is a rear perspective view of the ornamental design of the present invention with the stylus removed and shown above, the broken line is utilized to indicate the position of the stylus when in place; and,

FIG. 9 is a perspective view of the ornamental design of the present invention with the cellular phone in the open position.

1 Claim, 4 Drawing Sheets

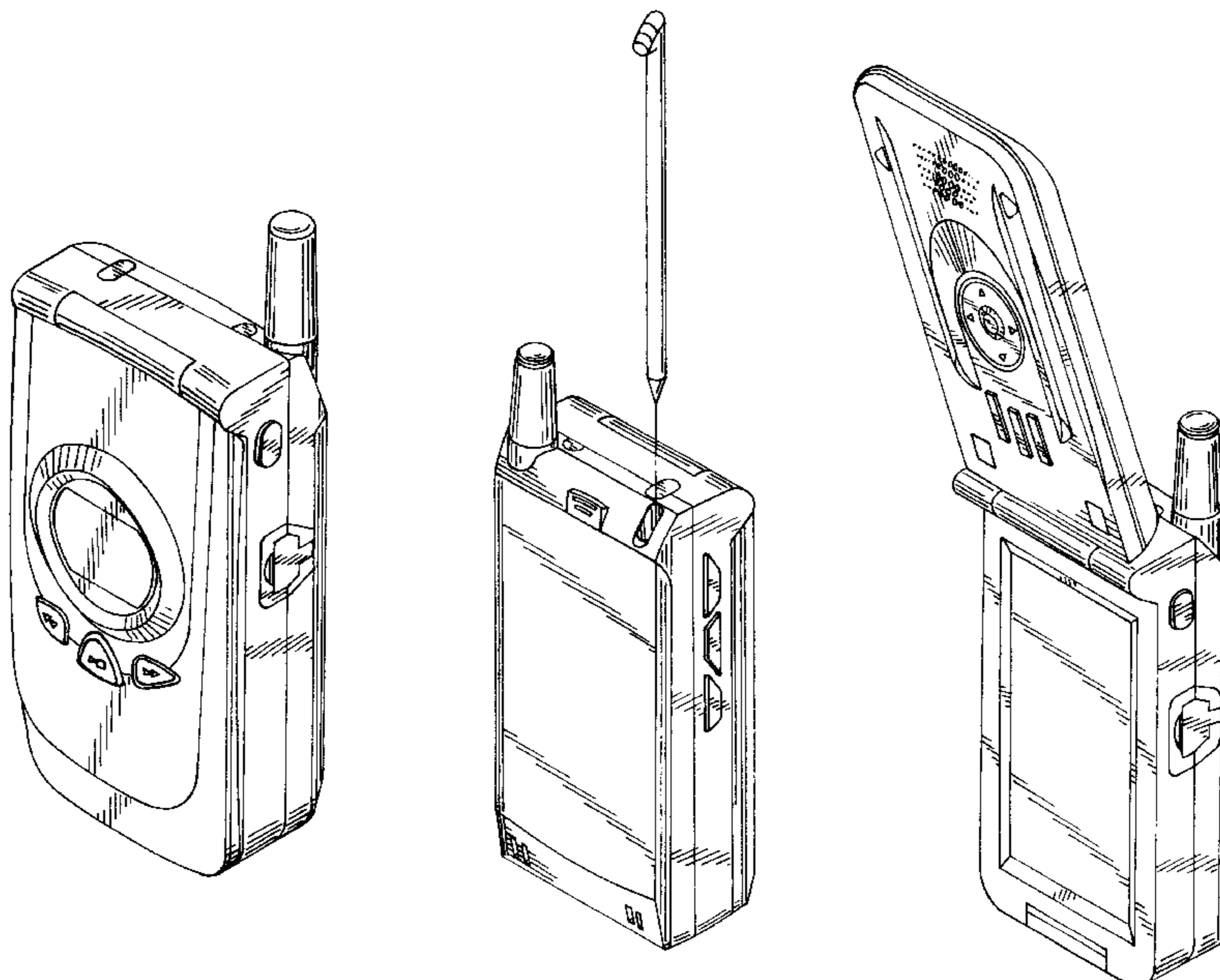


FIG. 1

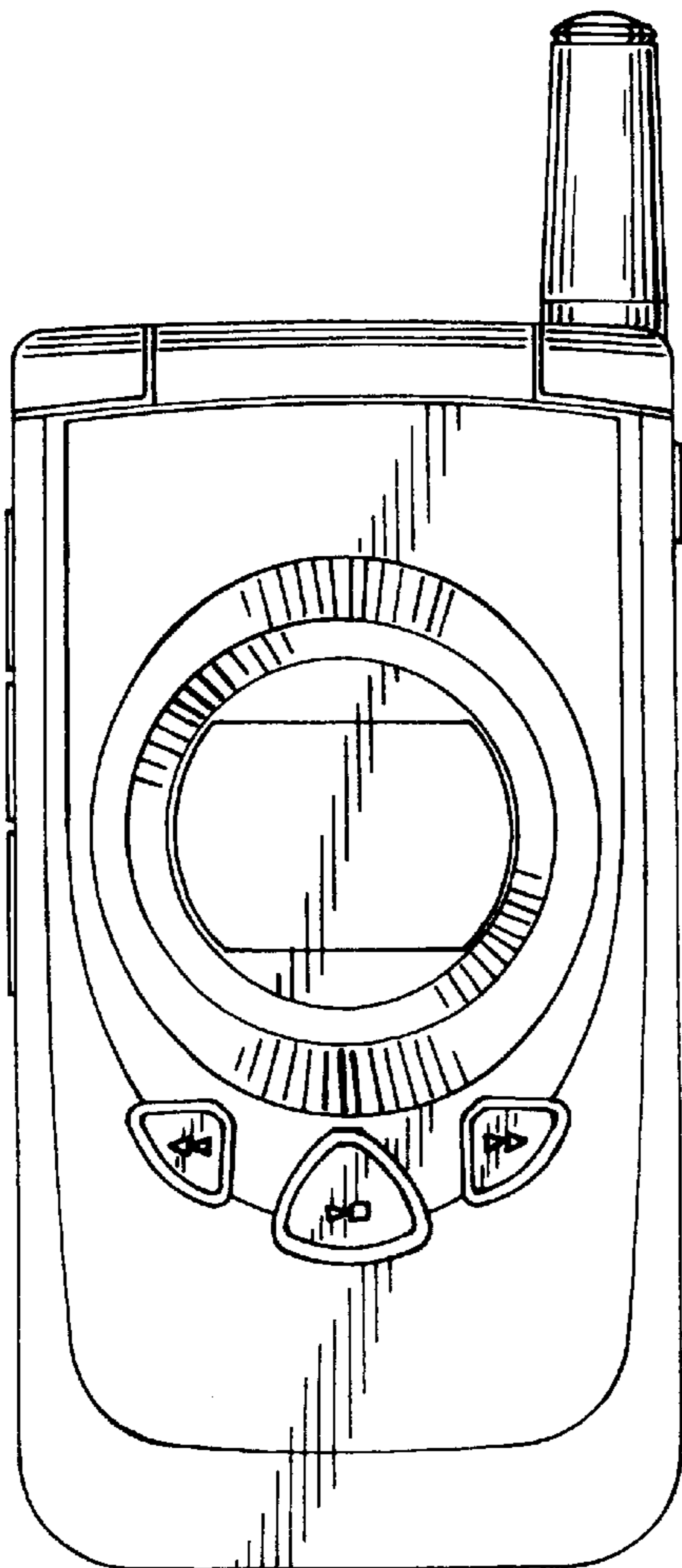
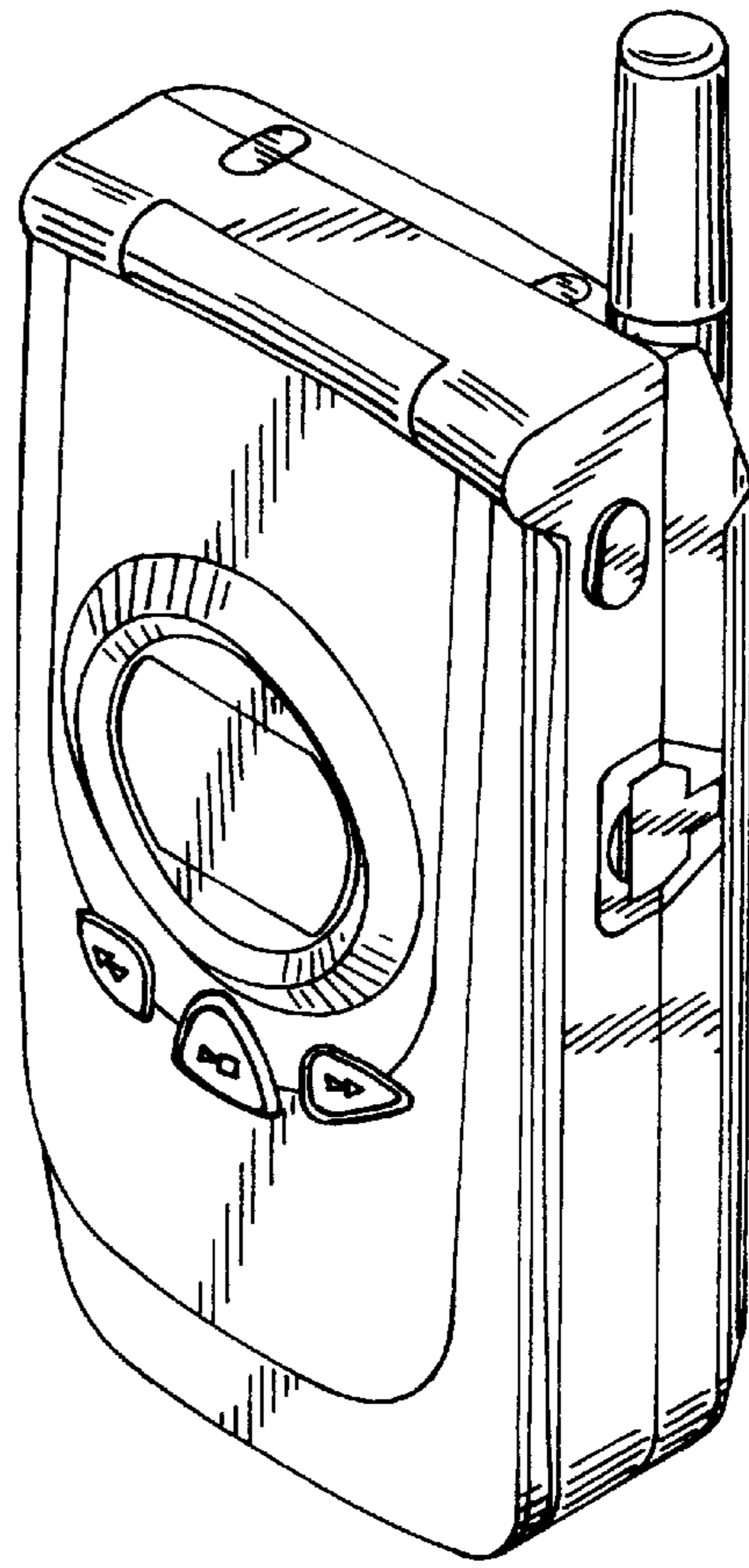


FIG. 2

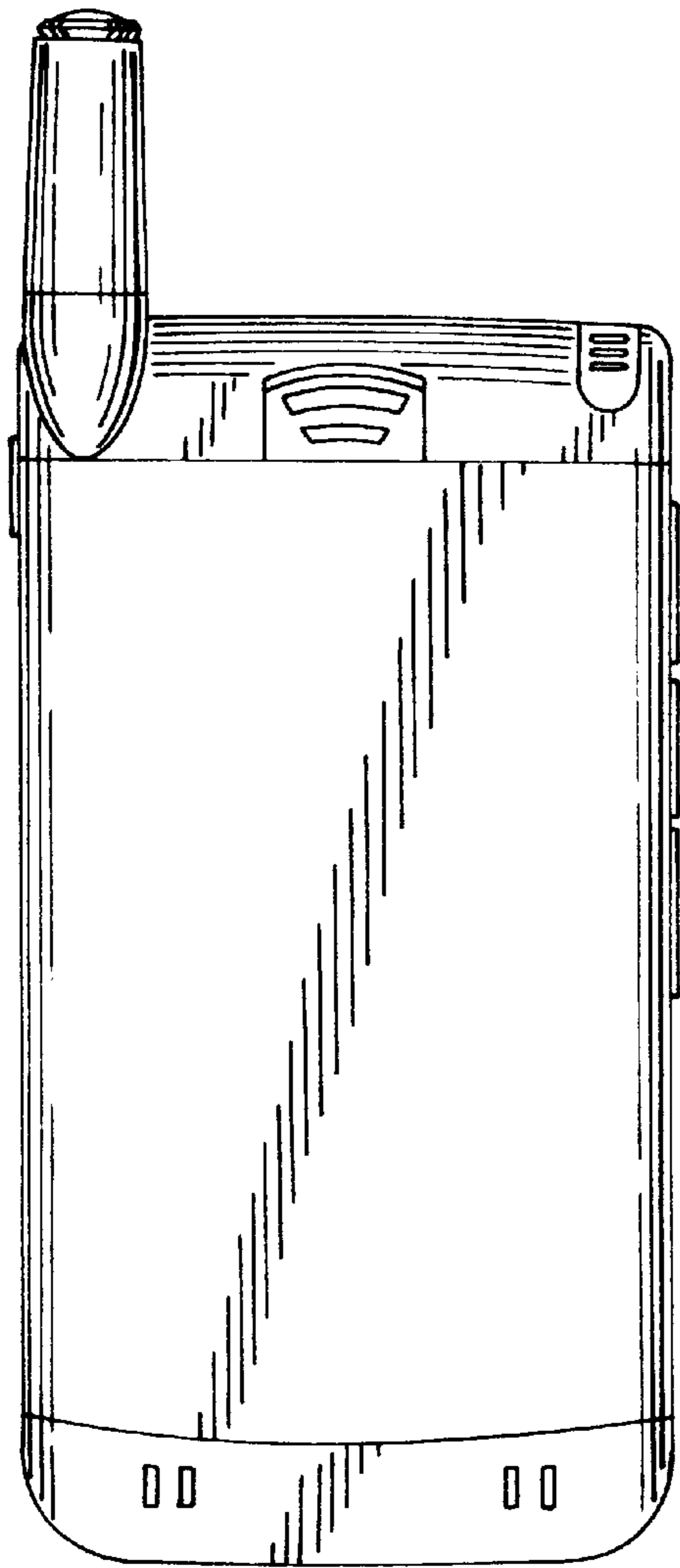


FIG. 3

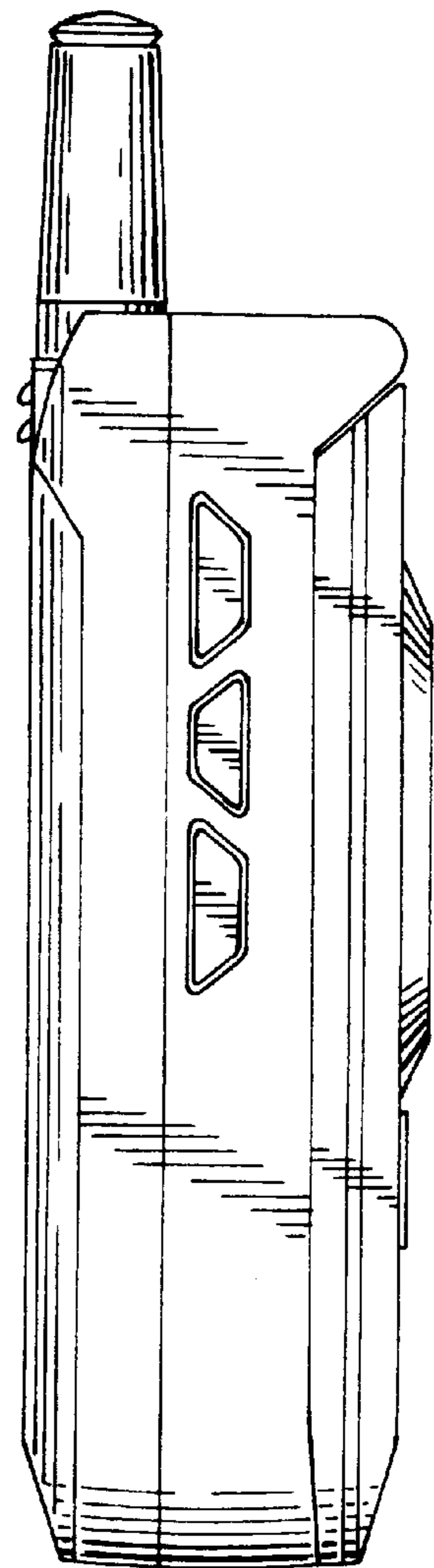


FIG. 4

FIG. 5

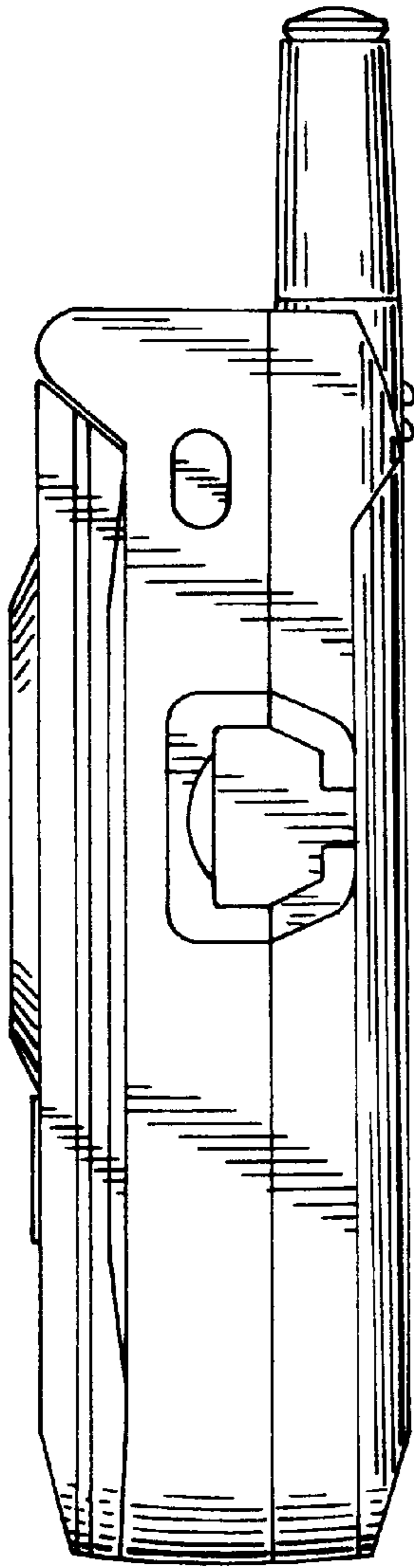


FIG. 6

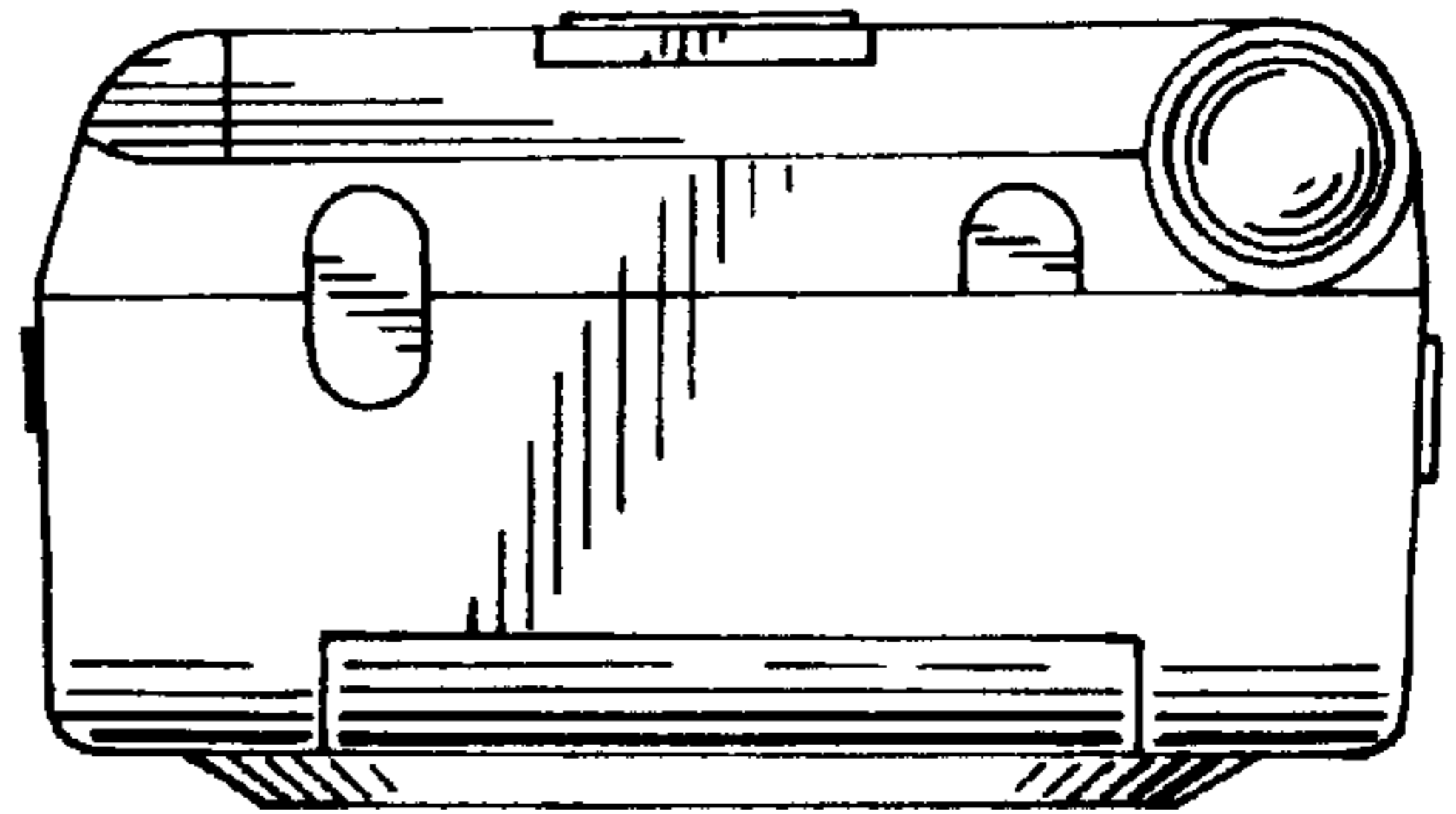
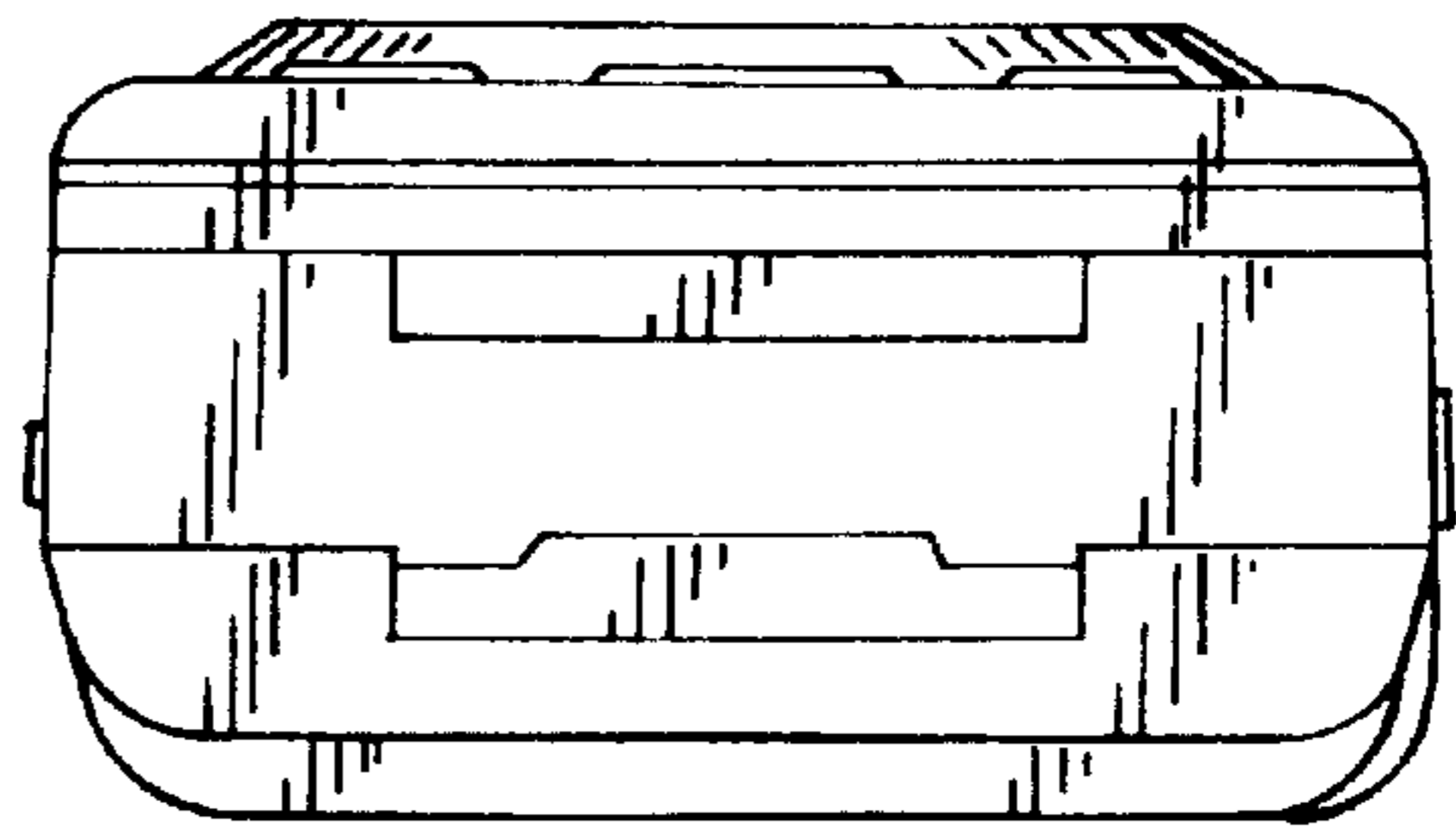


FIG. 7



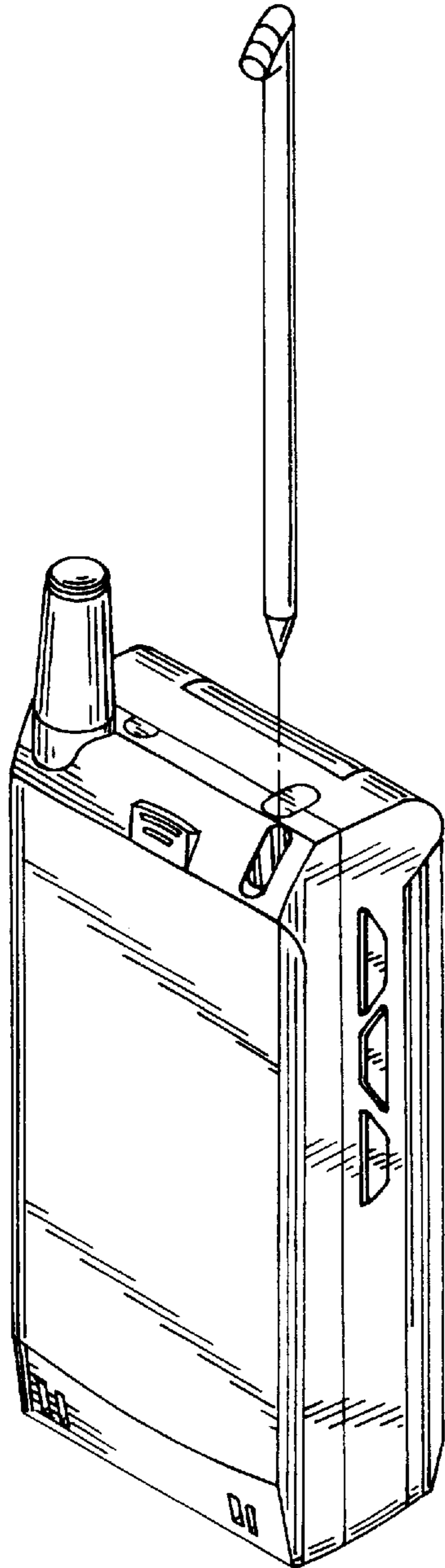


FIG. 8

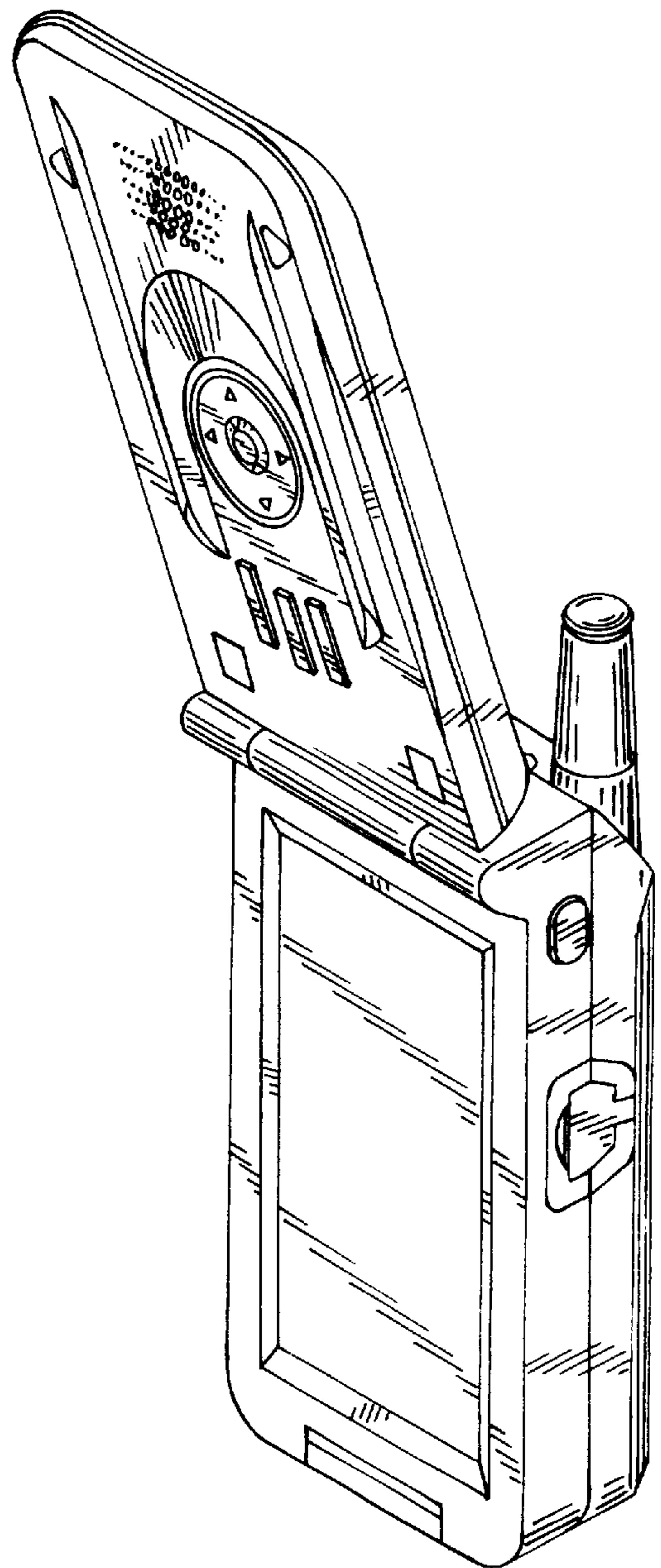


FIG. 9