



US00D455134S

(12) **United States Design Patent**
Kolinen

(10) **Patent No.:** **US D455,134 S**

(45) **Date of Patent:** **** Apr. 2, 2002**

(54) **HANDSET**

(75) **Inventor:** **Petteri Kolinen, Helsinki (FI)**

(73) **Assignee:** **Nokia Mobile Phones Ltd., Espoo (FI)**

(**) **Term:** **14 Years**

(21) **Appl. No.:** **29/139,431**

(22) **Filed:** **Mar. 30, 2001**

(30) **Foreign Application Priority Data**

Oct. 3, 2000 (FI) M20000745

(51) **LOC (7) Cl.** **14-03**

(52) **U.S. Cl.** **D14/138**

(58) **Field of Search** D14/137, 138,
D14/218, 147-148, 247-248, 144, 341-347;
379/433.01-433.13, 419, 434, 428.01-428.04,
420.01-420.04, 440; 455/550-575, 90

(56) **References Cited**

U.S. PATENT DOCUMENTS

- D405,445 S * 2/1999 Phillips et al. D14/138
- D412,704 S * 8/1999 Vuolteenaho et al. D14/138
- D415,149 S * 10/1999 Vuolteenaho et al. D14/138
- D415,151 S * 10/1999 Kim D14/138
- D415,488 S * 10/1999 Lee D14/138
- D416,255 S * 11/1999 Johansson et al. D14/144
- D421,004 S * 2/2000 Curtis D14/138
- D422,585 S * 4/2000 Ng et al. D14/137
- D425,057 S * 5/2000 Finkbeiner D14/138
- D427,171 S * 6/2000 Frye et al. D14/138
- D428,401 S * 7/2000 Curtis D14/138
- 6,084,962 A * 7/2000 Plenge 379/433
- 6,097,964 A * 8/2000 Nuovo et al. 455/550

- D433,002 S * 10/2000 Kolinen D14/138
- D436,938 S * 1/2001 Won D14/138
- D439,230 S * 3/2001 Braxton et al. D14/138
- D439,573 S * 3/2001 DeLeon D14/138
- D440,951 S * 4/2001 Kolinen D14/138
- D443,258 S * 6/2001 Gartrell et al. D14/138
- D443,866 S * 6/2001 Arbisi et al. D14/138
- D445,770 S * 7/2001 Yang D14/138
- D446,197 S * 8/2001 Lee D14/138

FOREIGN PATENT DOCUMENTS

JP 1008796 * 4/1998

OTHER PUBLICATIONS

Mar. 1996 Mobile Office, p. 70, CT-352 from RadioShack.*
Dec. 1997 Mobile Computing and Communications, p. 55, PCS 1930 from Nortel.*

* cited by examiner

Primary Examiner—Jeffrey Asch

(74) *Attorney, Agent, or Firm*—Brian T. Rivers

(57) **CLAIM**

The ornamental design for a handset, as shown.

DESCRIPTION

FIG. 1 is a bottom plan view of the handset;
FIG. 2 is a right side view thereof;
FIG. 3 is a front view thereof;
FIG. 4 is a left side view thereof;
FIG. 5 is a top plan view thereof;
FIG. 6 is a rear view thereof;
FIG. 7 is a perspective rear view thereof; and,
FIG. 8 is a perspective front view thereof.

1 Claim, 3 Drawing Sheets

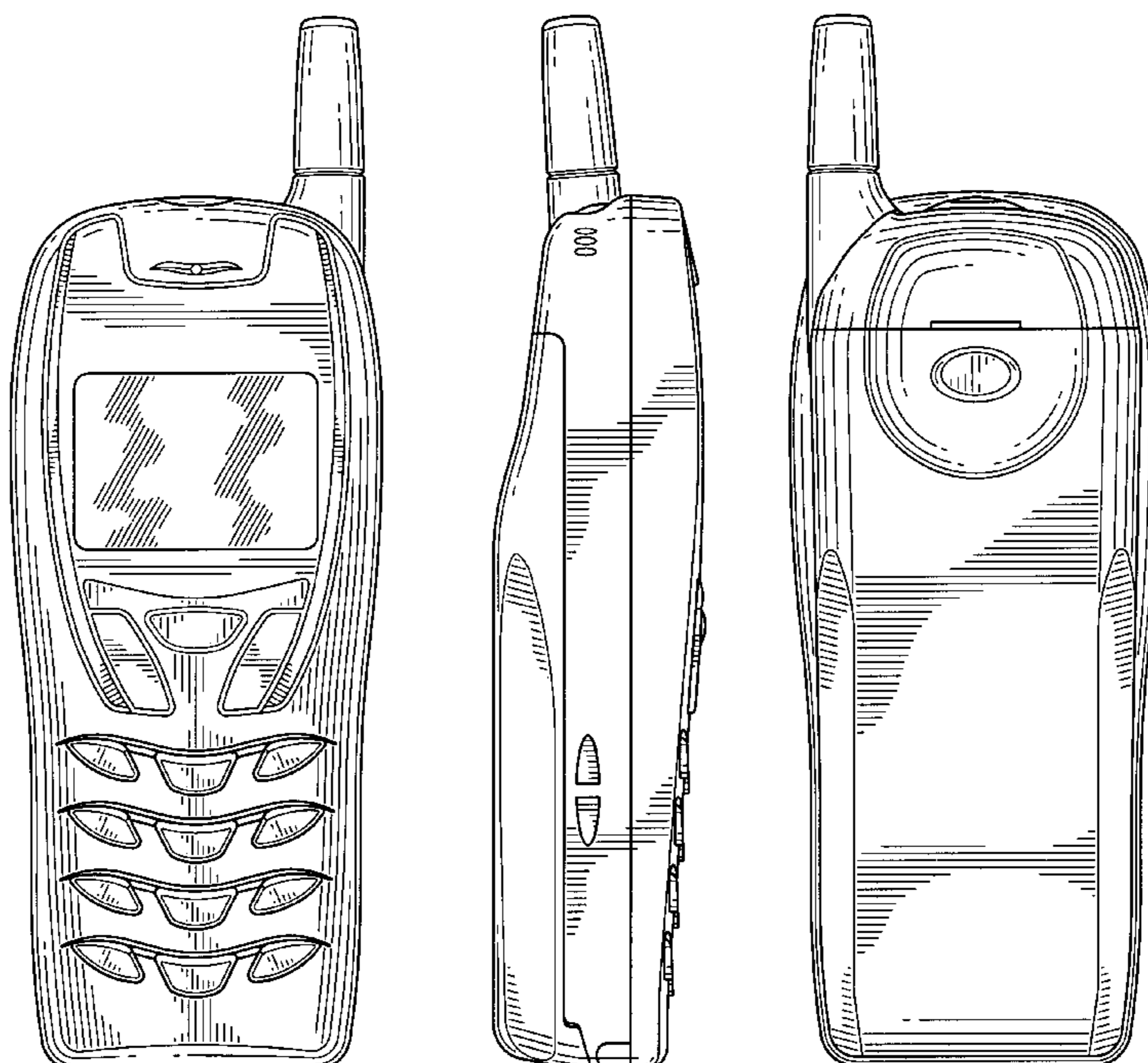


FIG. 1

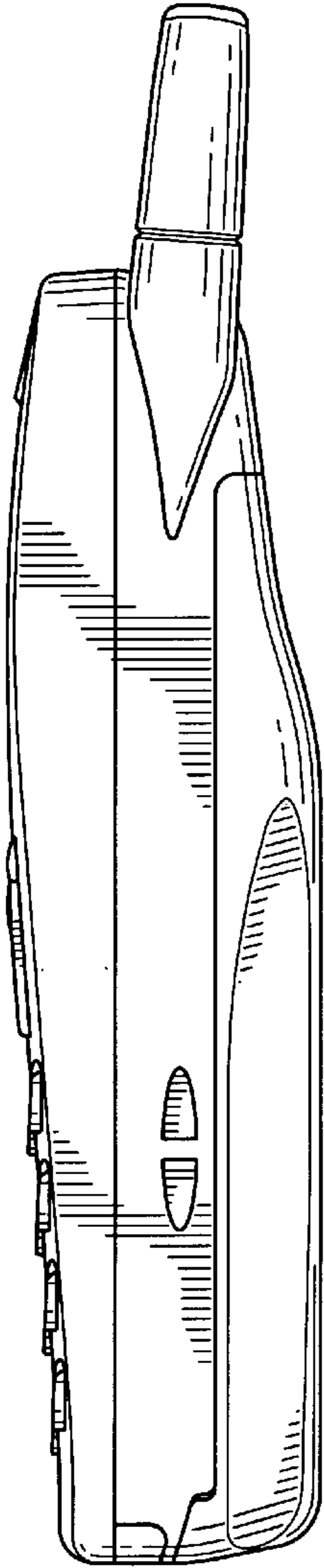
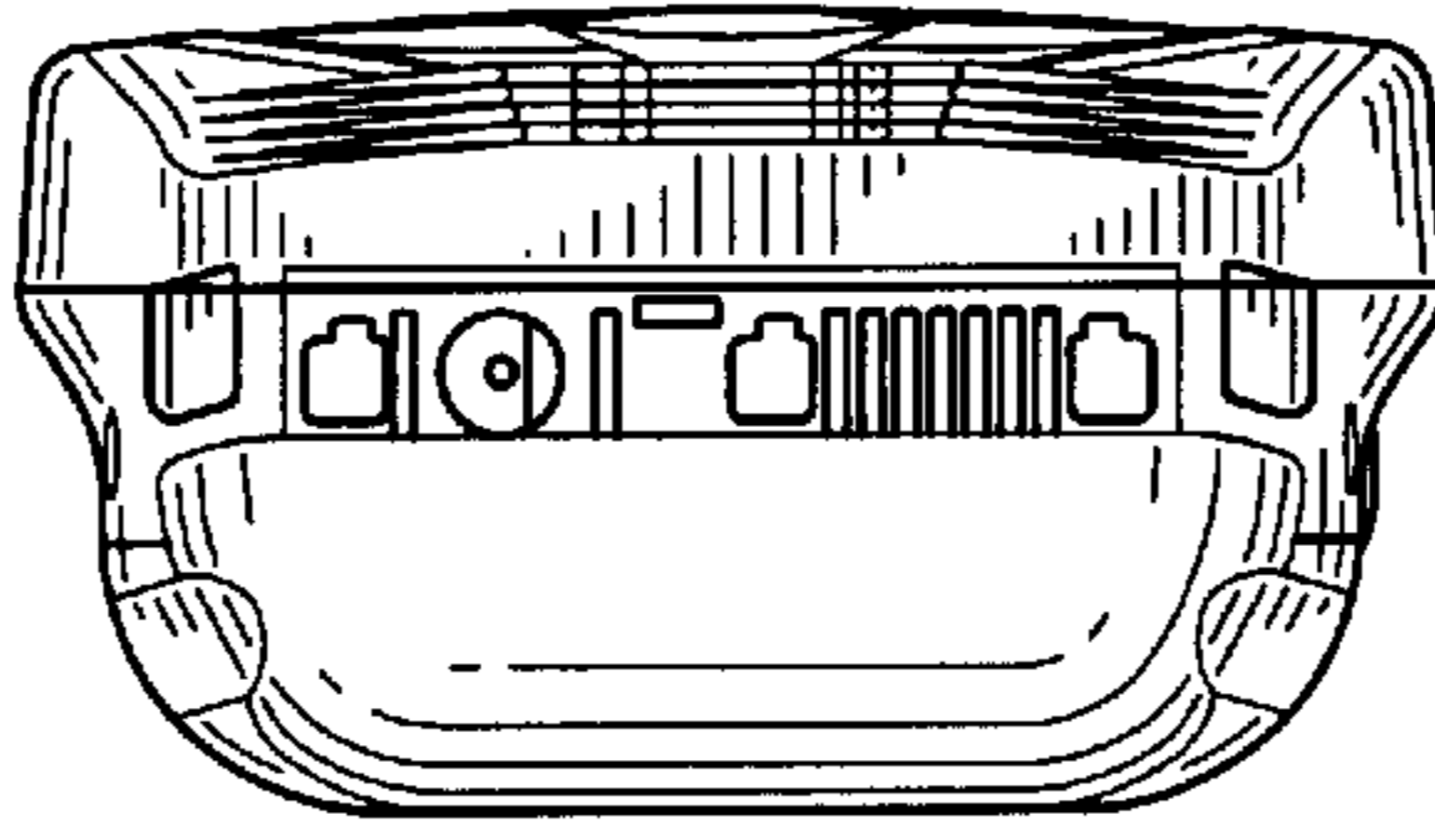


FIG. 2

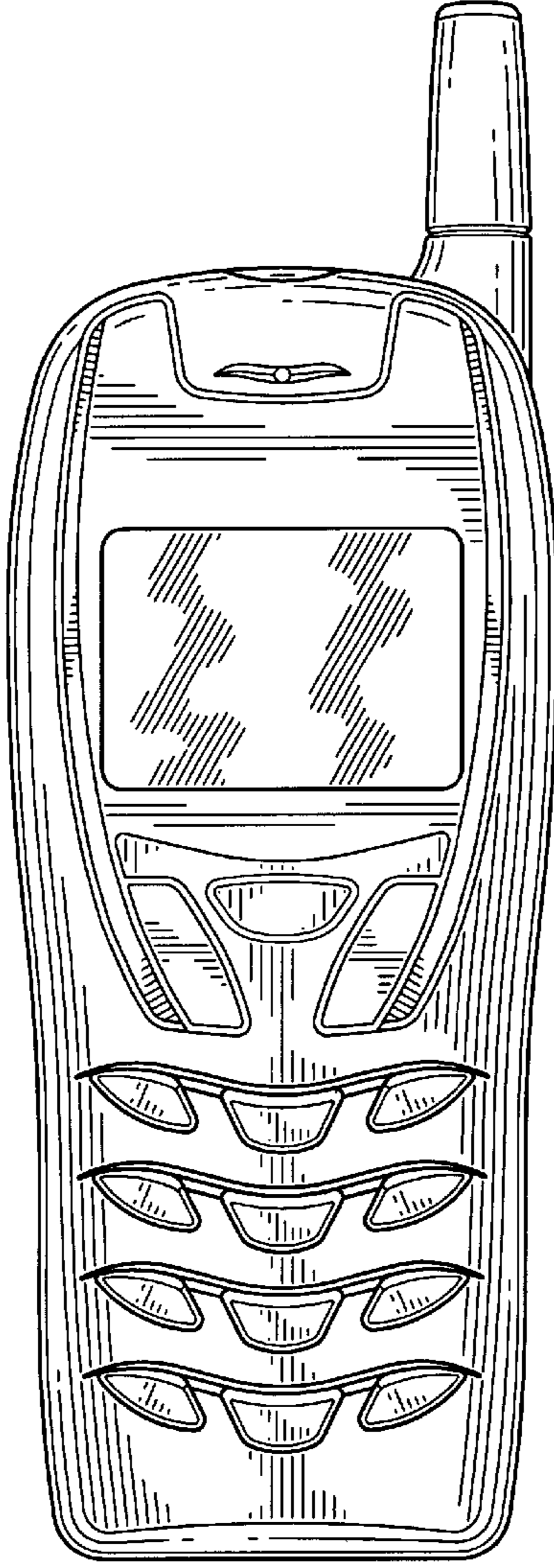


FIG. 3

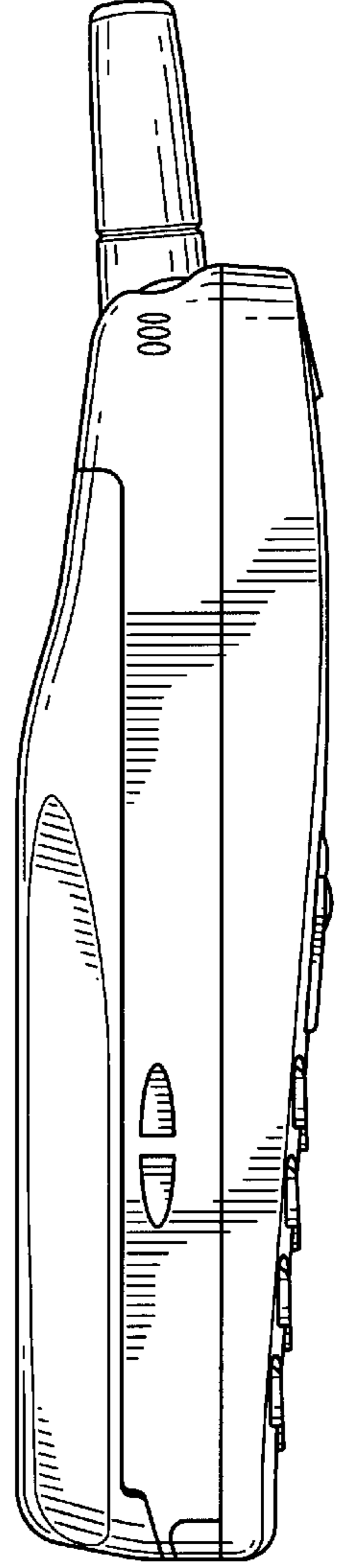
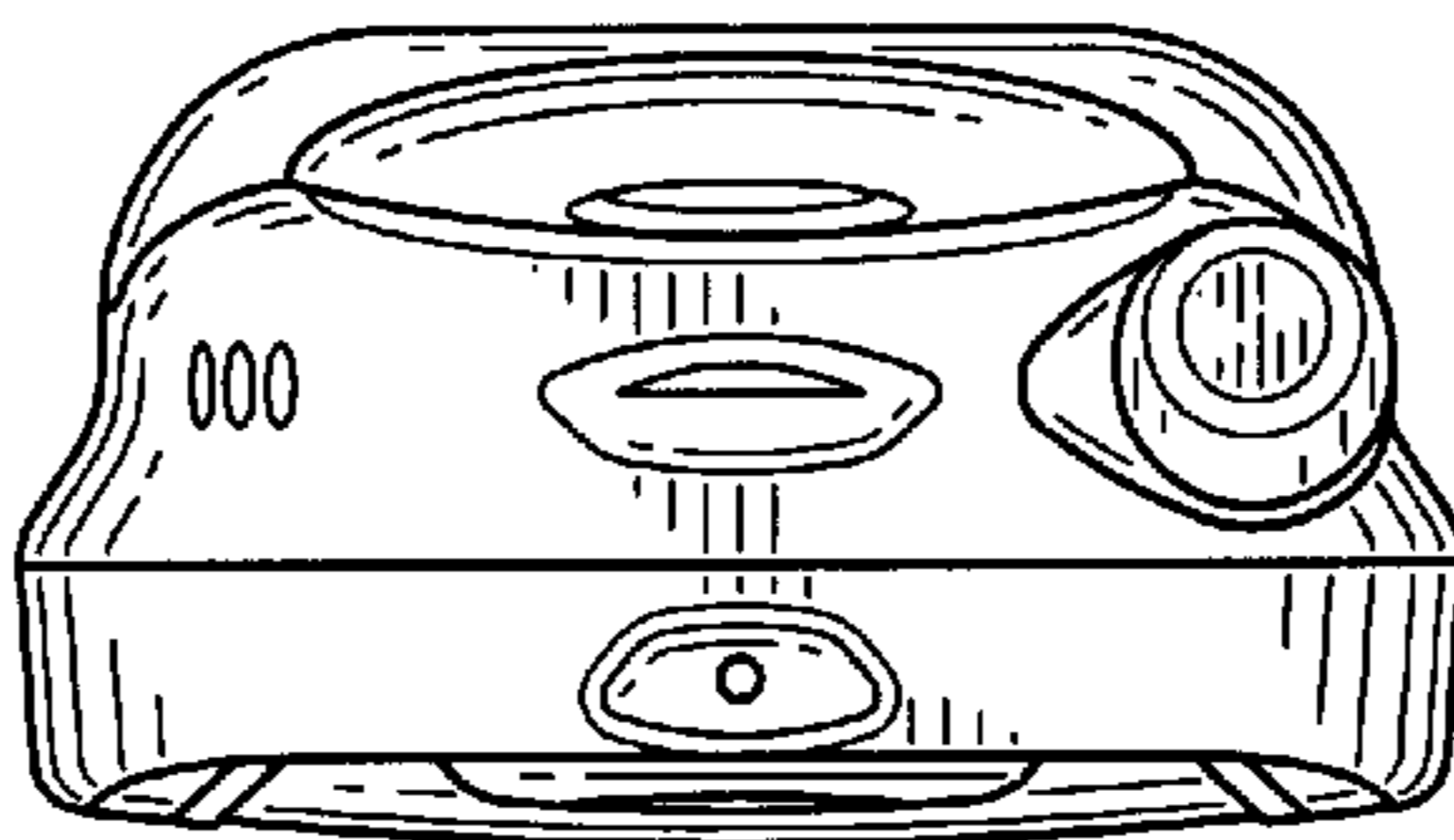


FIG. 4

FIG. 5



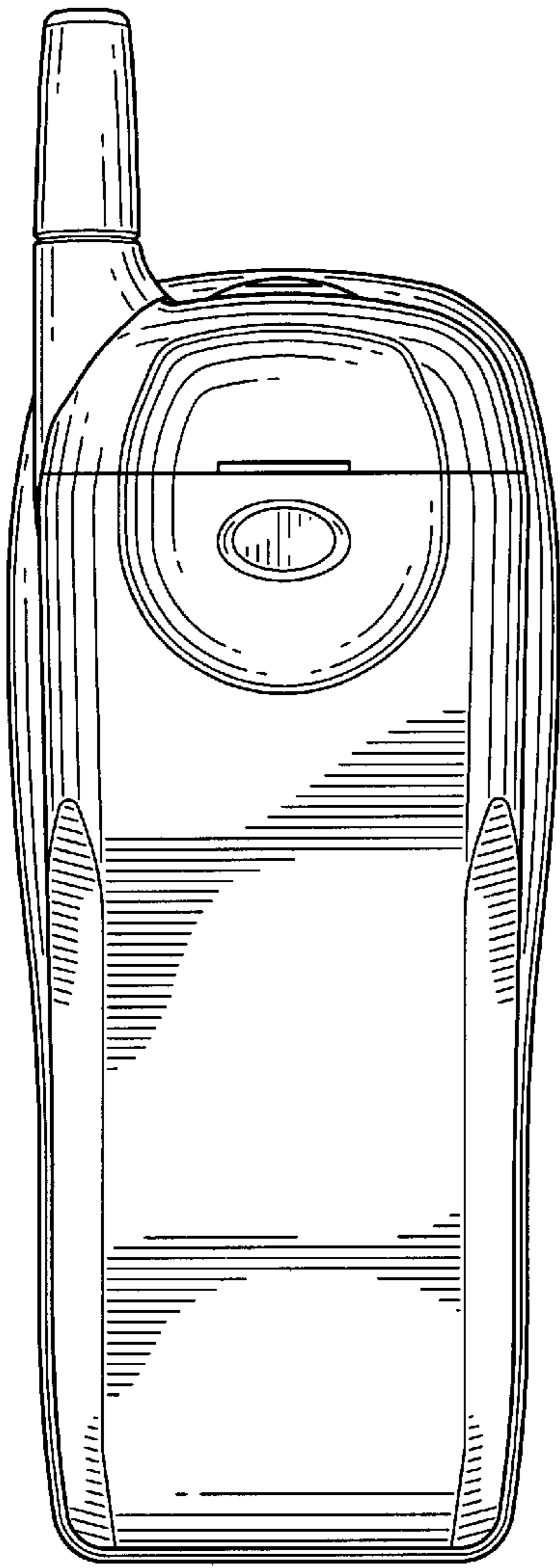


FIG. 6

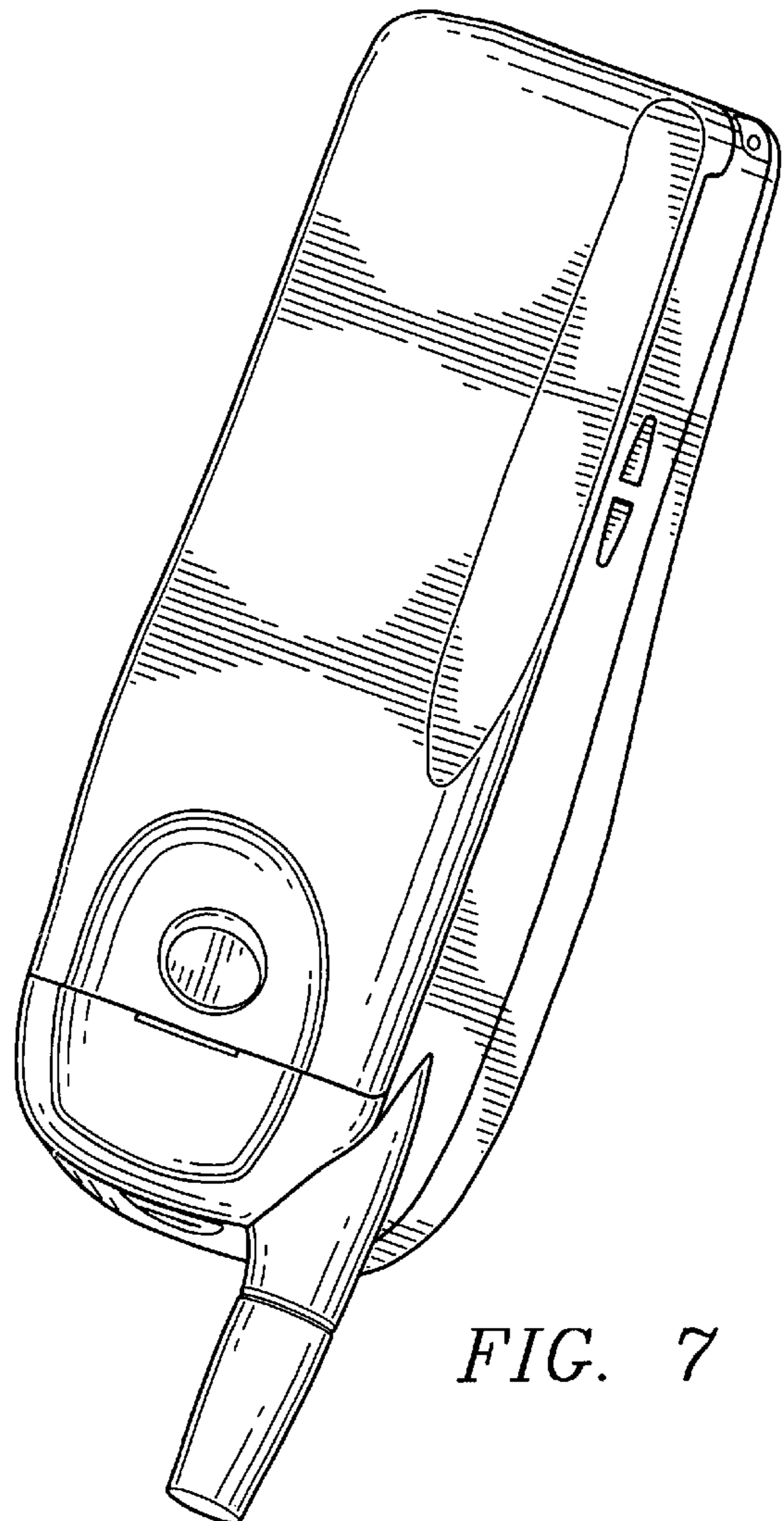


FIG. 7

FIG. 8

