



US00D455133S

(12) **United States Design Patent**  
**Inoue**

(10) **Patent No.:** **US D455,133 S**

(45) **Date of Patent:** **\*\* Apr. 2, 2002**

(54) **TELEVISION RECEIVER**

(75) Inventor: **Shiki Inoue**, Tokyo (JP)

(73) Assignee: **Sony Corporation**, Tokyo (JP)

(\*\*) Term: **14 Years**

(21) Appl. No.: **29/143,476**

(22) Filed: **Jun. 15, 2001**

(51) **LOC (7) Cl.** ..... **14-03**

(52) **U.S. Cl.** ..... **D14/133**

(58) **Field of Search** ..... D14/125-134,  
D14/239, 374; 312/7.2; 348/787, 789, 836,  
838; 353/47, 74

(56) **References Cited**

**U.S. PATENT DOCUMENTS**

D312,634 S	*	12/1990	Kasama	.....	D14/128
D360,203 S	*	7/1995	Bourgerie	.....	D14/133
D384,659 S		10/1997	Suzuki		
D410,917 S	*	6/1999	Novak	.....	D14/133
D434,015 S	*	11/2000	Oe	.....	D14/133
D439,570 S	*	3/2001	Tsao	.....	D14/128
D440,950 S	*	4/2001	Oe	.....	D14/126

**OTHER PUBLICATIONS**

Catalog "Sony Style, Digital Comfort", p. 81, Sony Corporation (Autumn/Winter 2000/2001).

\* cited by examiner

*Primary Examiner*—Raphael Barkai

(74) *Attorney, Agent, or Firm*—Rader, Fishman & Grauer, PLLC

(57) **CLAIM**

The ornamental design for a television receiver, as shown and described.

**DESCRIPTION**

FIG. 1 is a perspective view of a television receiver showing my new design;

FIG. 2 is a front elevational view thereof;

FIG. 3 is a rear elevational view thereof;

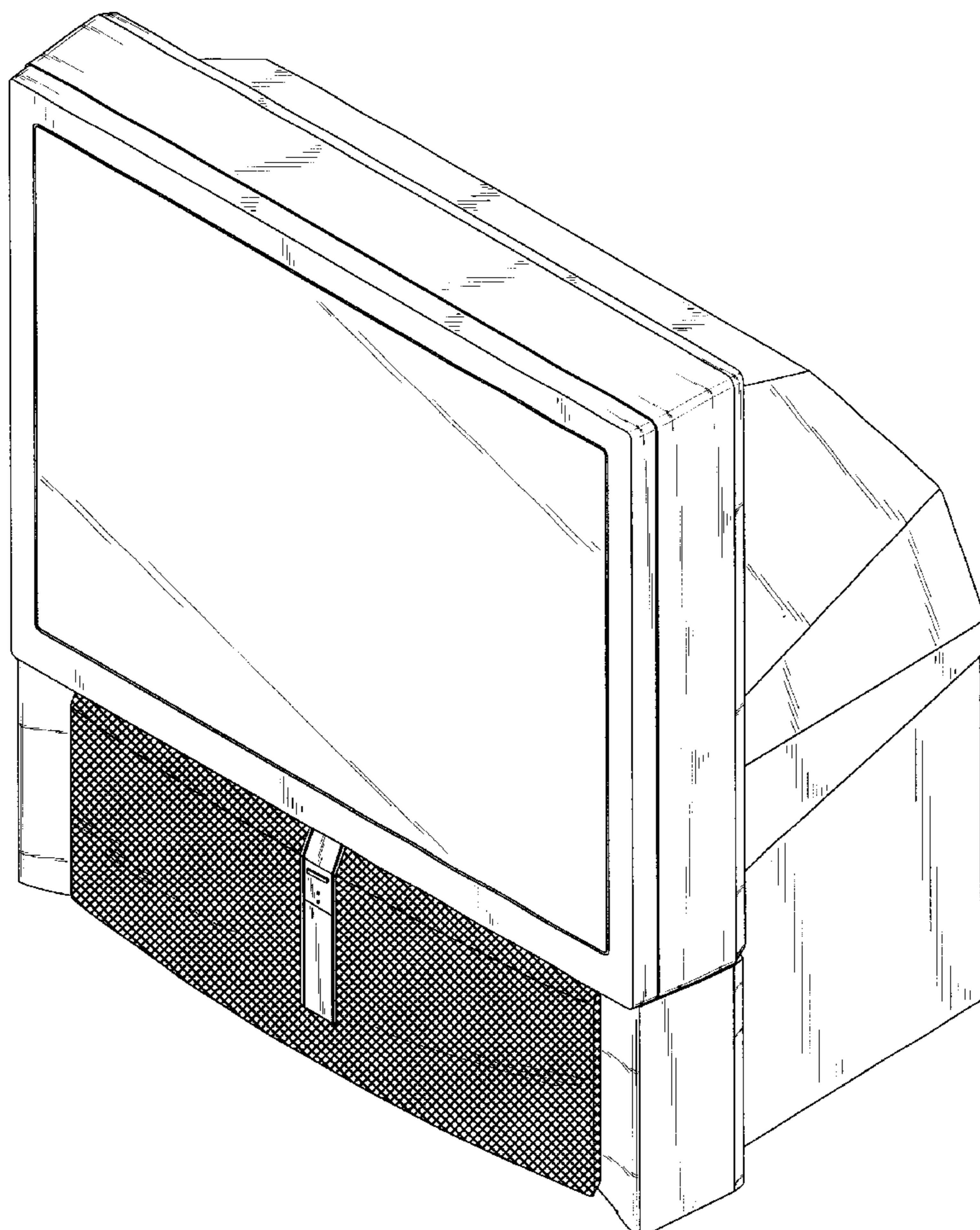
FIG. 4 is a left side elevational view thereof;

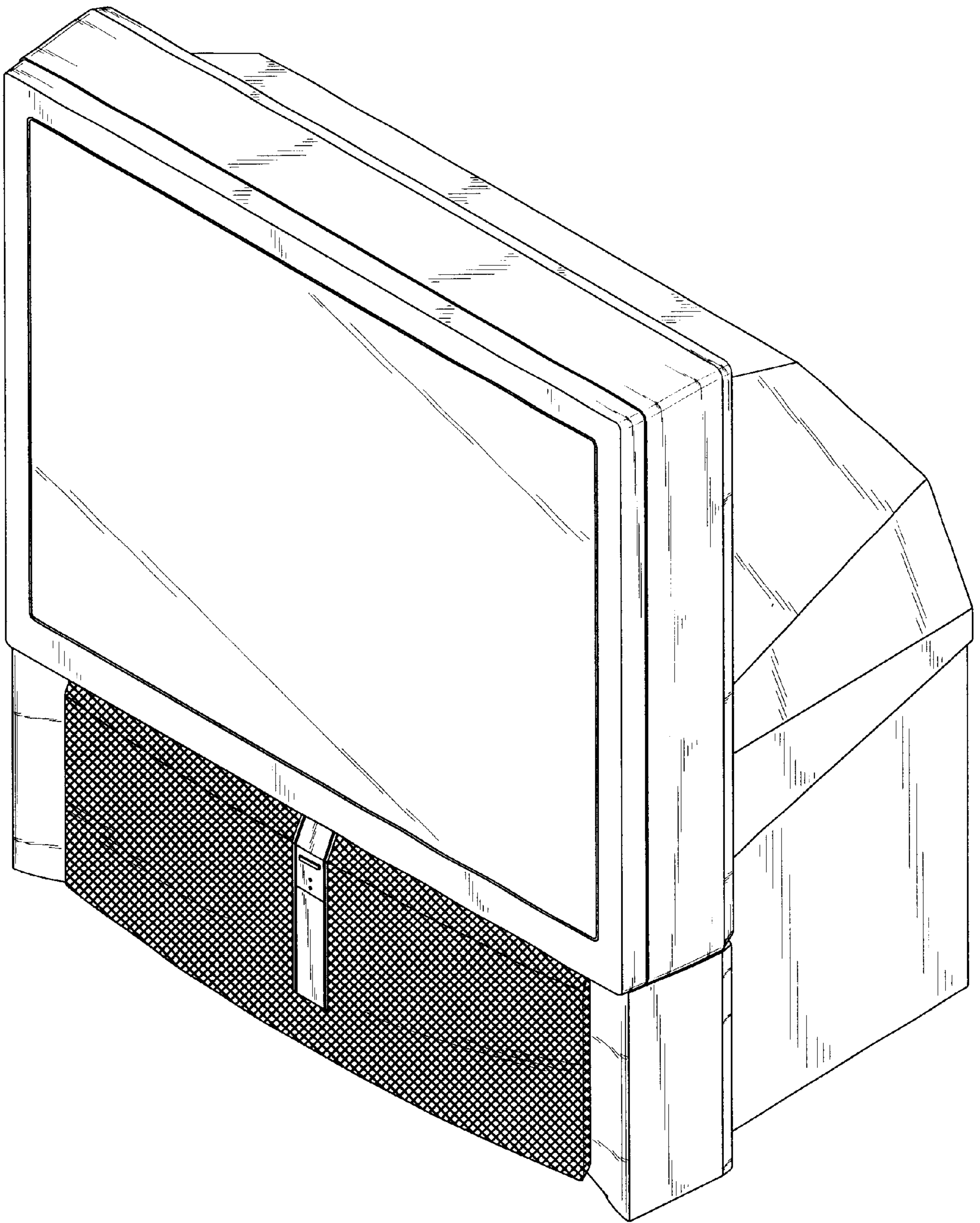
FIG. 5 is a right side elevational view thereof;

FIG. 6 is a top plan view thereof; and,

FIG. 7 is a bottom plan view thereof.

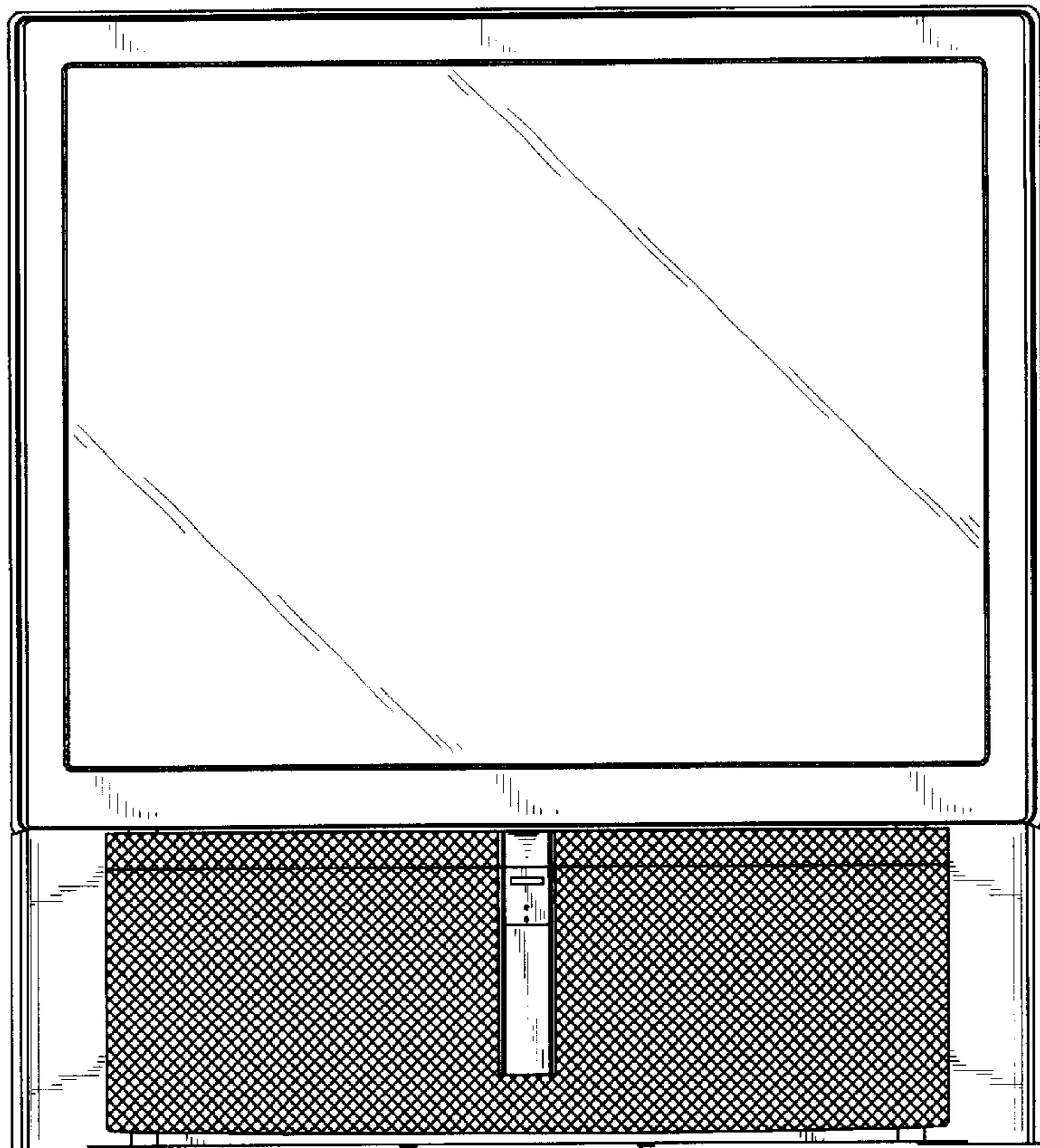
**1 Claim, 4 Drawing Sheets**



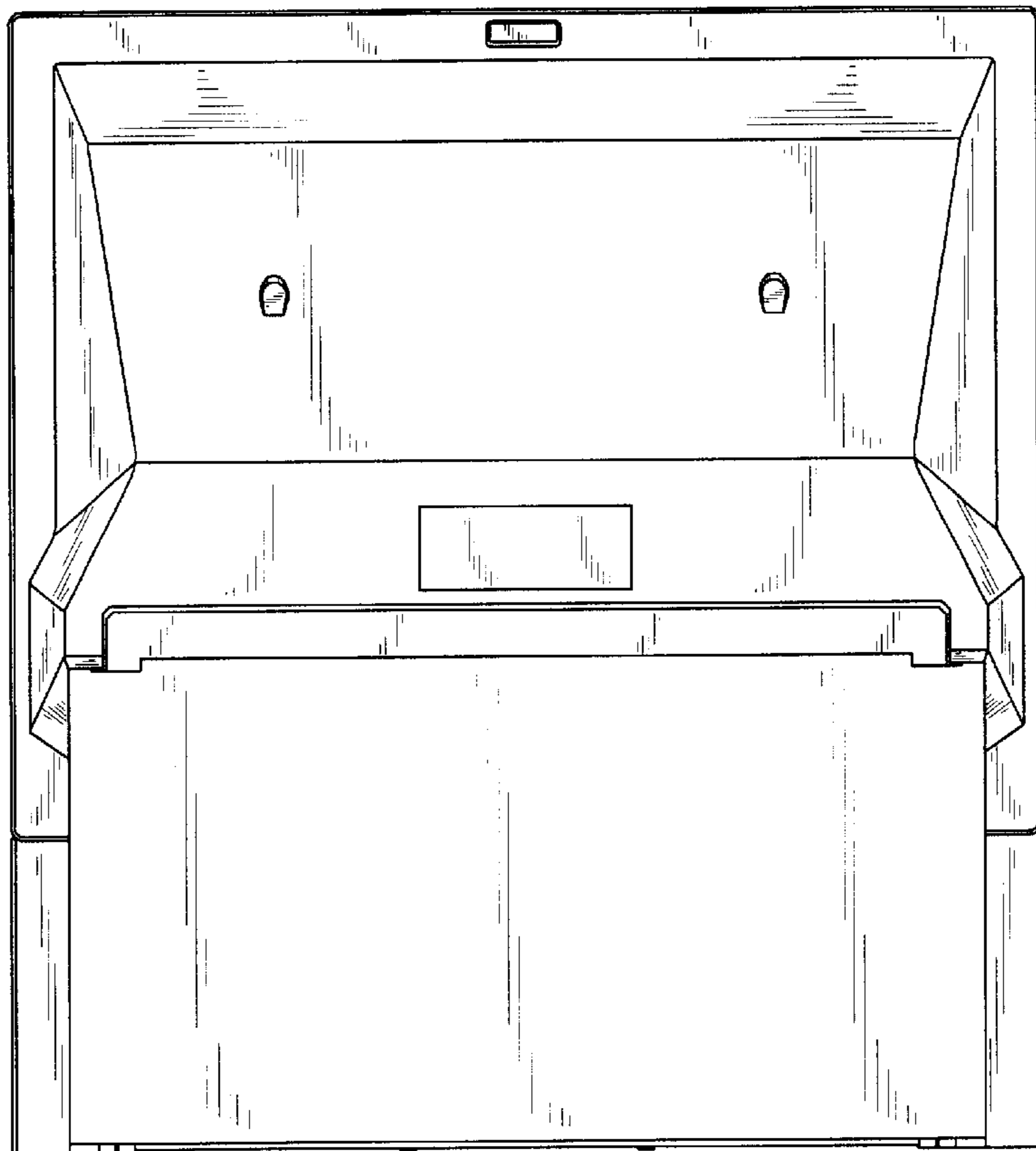


**Fig. 1**

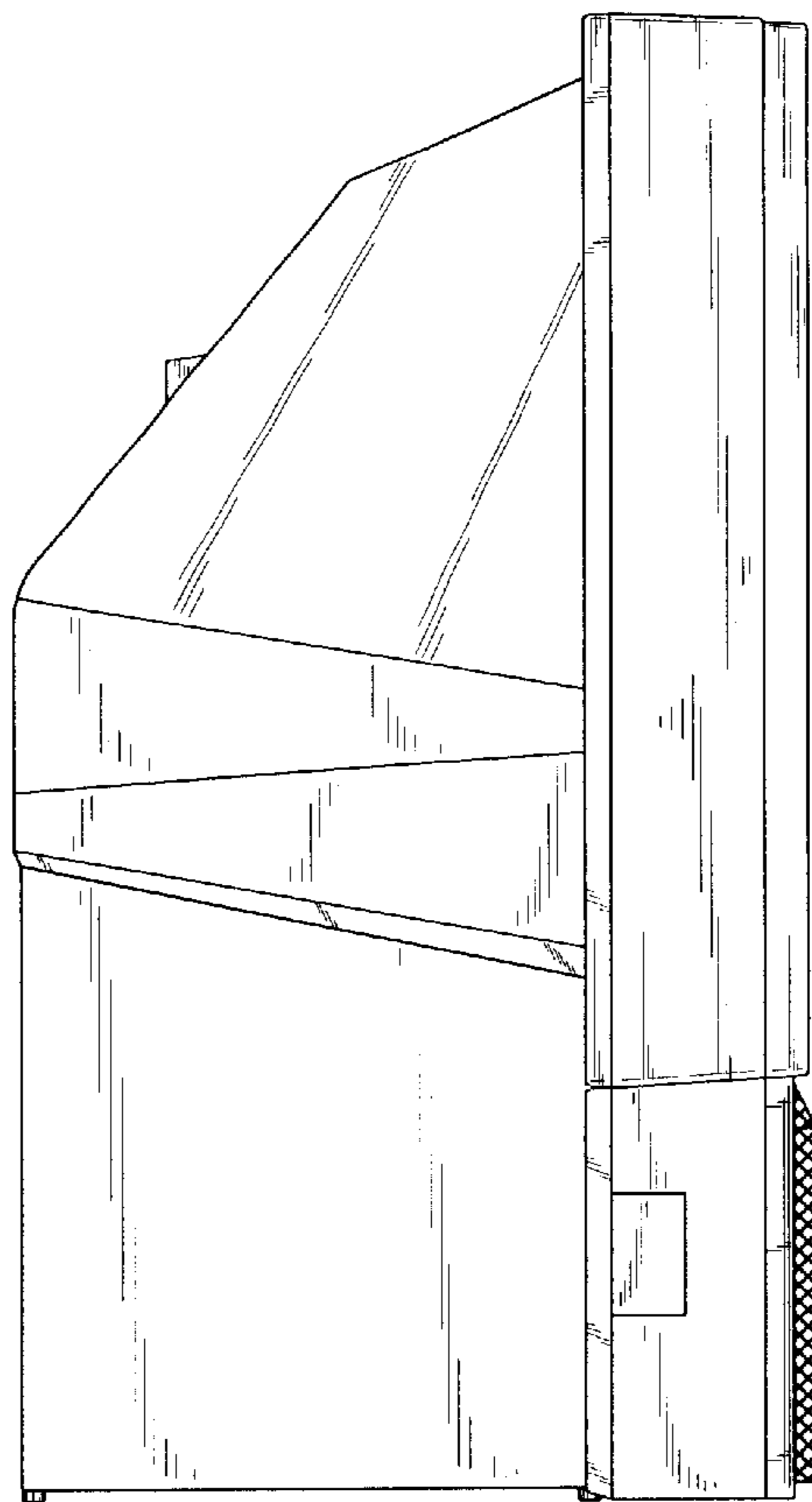
**Fig. 2**



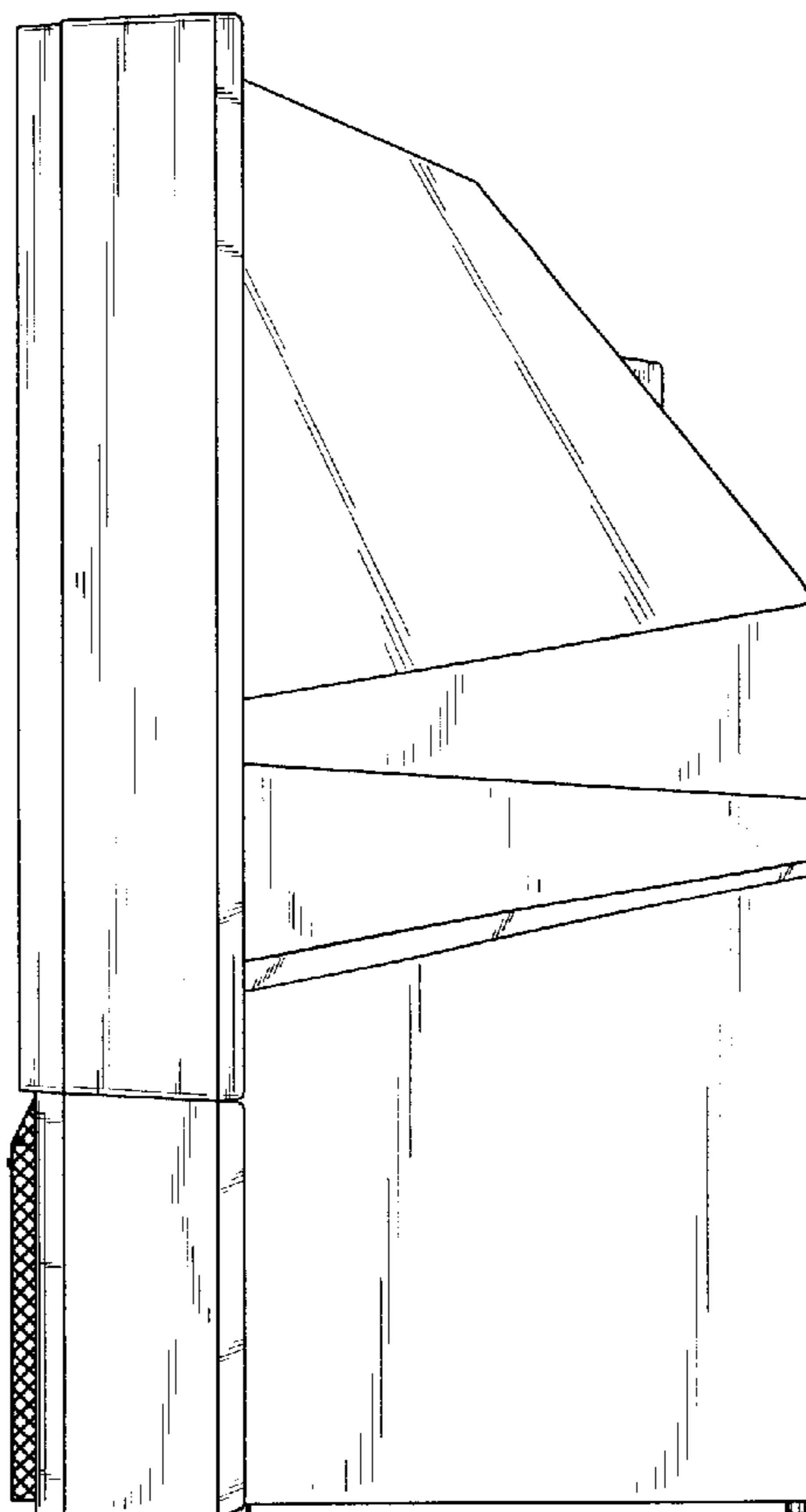
**Fig. 3**

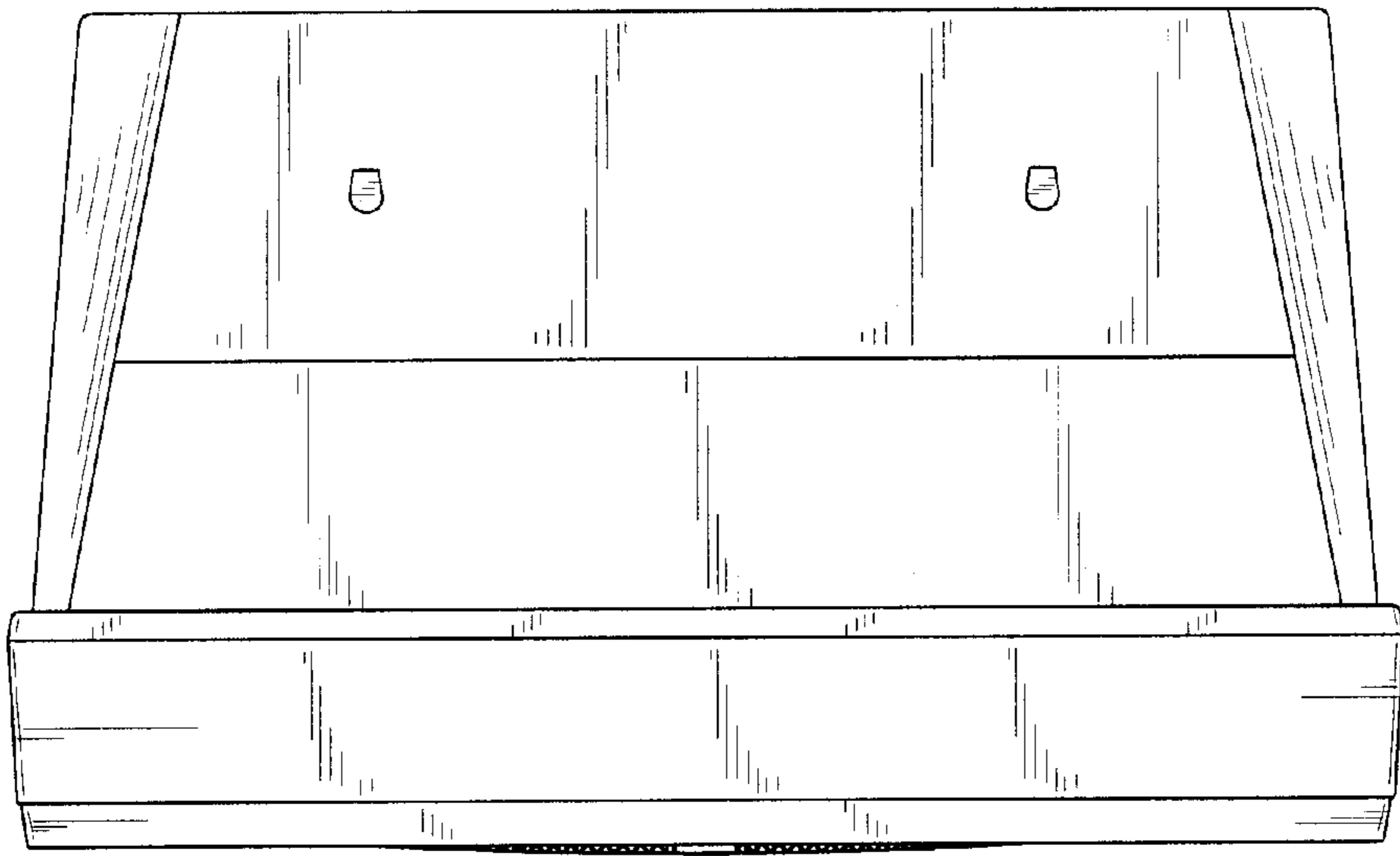


**Fig. 4**

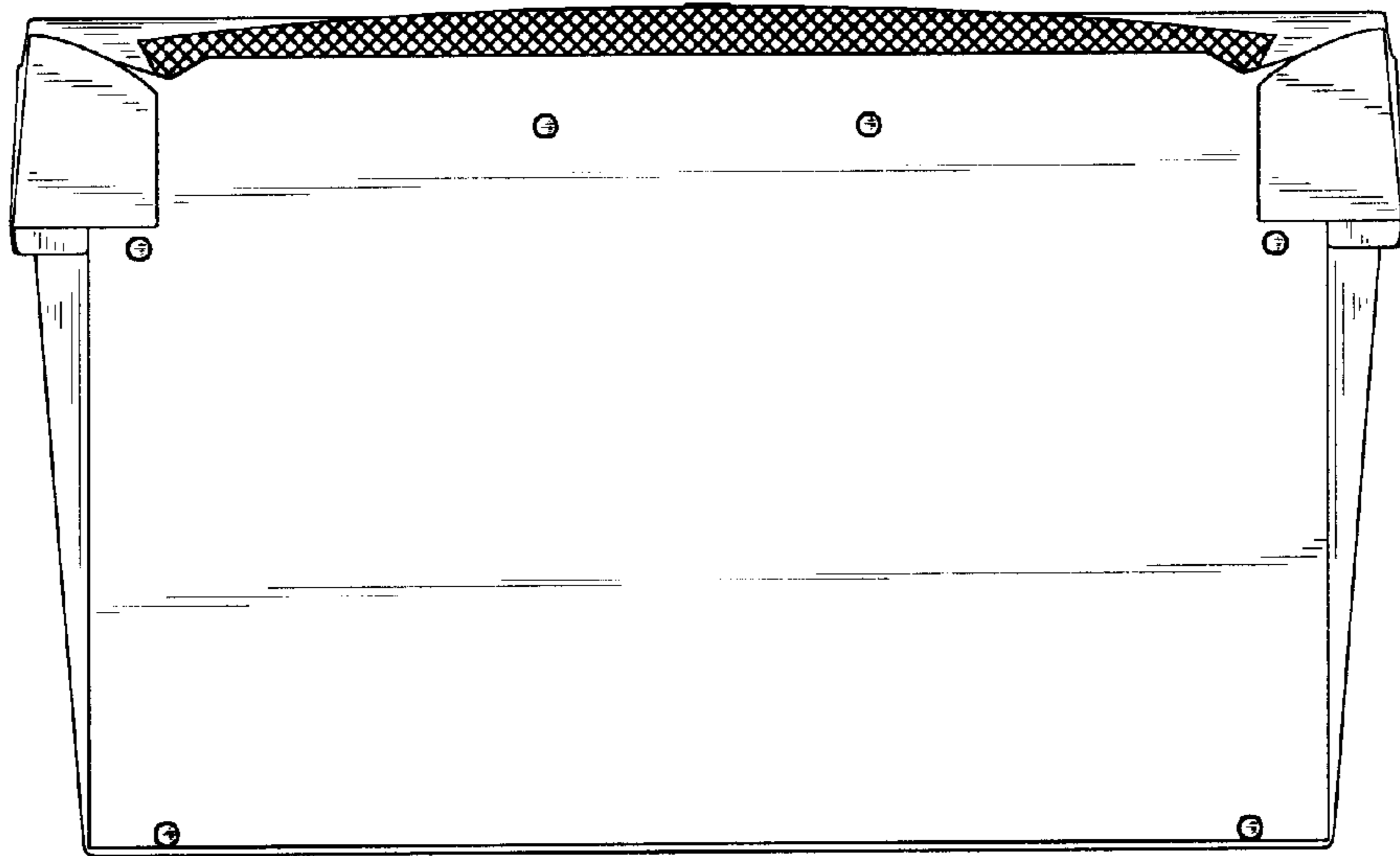


**Fig. 5**





**Fig. 6**



**Fig. 7**