



US00D455131S

(12) **United States Design Patent**  
**Reynaga et al.**

(10) **Patent No.:** **US D455,131 S**

(45) **Date of Patent:** **\*\* Apr. 2, 2002**

(54) **VISUAL DISPLAY UNIT**

(75) Inventors: **David Reynaga; John Harvey; Kieron Dunk; Neil Simon Owen**, all of  
Cambridgeshire (GB)

(73) Assignee: **New Transducers Limited**, London  
(GB)

(\*\*) Term: **14 Years**

(21) Appl. No.: **29/146,445**

(22) Filed: **Aug. 10, 2001**

(30) **Foreign Application Priority Data**

Jun. 27, 2001 (GB) ..... 2102836

(51) **LOC (7) Cl.** ..... **14-03**

(52) **U.S. Cl.** ..... **D14/126**

(58) **Field of Search** ..... D14/125-134,  
D14/239, 371, 374-382; D6/470, 449, 450,  
396; 248/917-924; 312/7.2; 348/825, 827,  
836, 837, 148, 150, 184, 325, 739; 341/12;  
349/1, 2, 11, 62; 345/104, 133, 156, 168,  
173

(56) **References Cited**

**U.S. PATENT DOCUMENTS**

D373,584 S \* 9/1996 Anand ..... D14/126

D393,853 S \* 4/1998 Maas ..... D14/239  
D422,979 S \* 4/2000 Lee ..... D14/375  
D425,036 S \* 5/2000 Copus ..... D14/132  
D427,597 S \* 6/2000 Arfin ..... D14/133

\* cited by examiner

*Primary Examiner*—Raphael Barkai

(74) *Attorney, Agent, or Firm*—Foley & Lardner

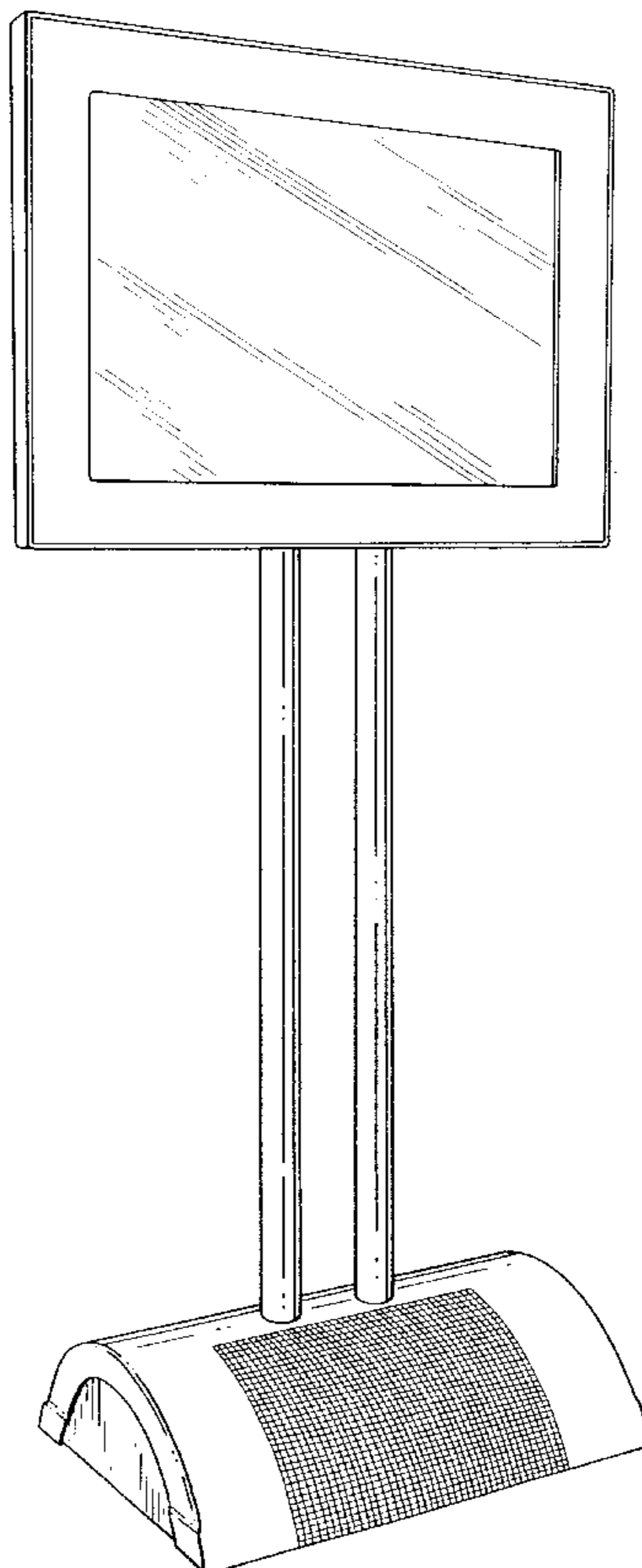
(57) **CLAIM**

The ornamental design for the visual display unit, as shown and described.

**DESCRIPTION**

FIG. 1 is a perspective view from the front and one side of the visual display unit;  
FIG. 2 is a front view of the visual display unit;  
FIG. 3 is a rear view of the visual display unit;  
FIG. 4 is a view of one side of the visual display unit;  
FIG. 5 is a view of the other side of the visual display unit;  
FIG. 6 is a plan view of the visual display unit; and,  
FIG. 7 is an underneath plan view of the visual display unit.

**1 Claim, 5 Drawing Sheets**



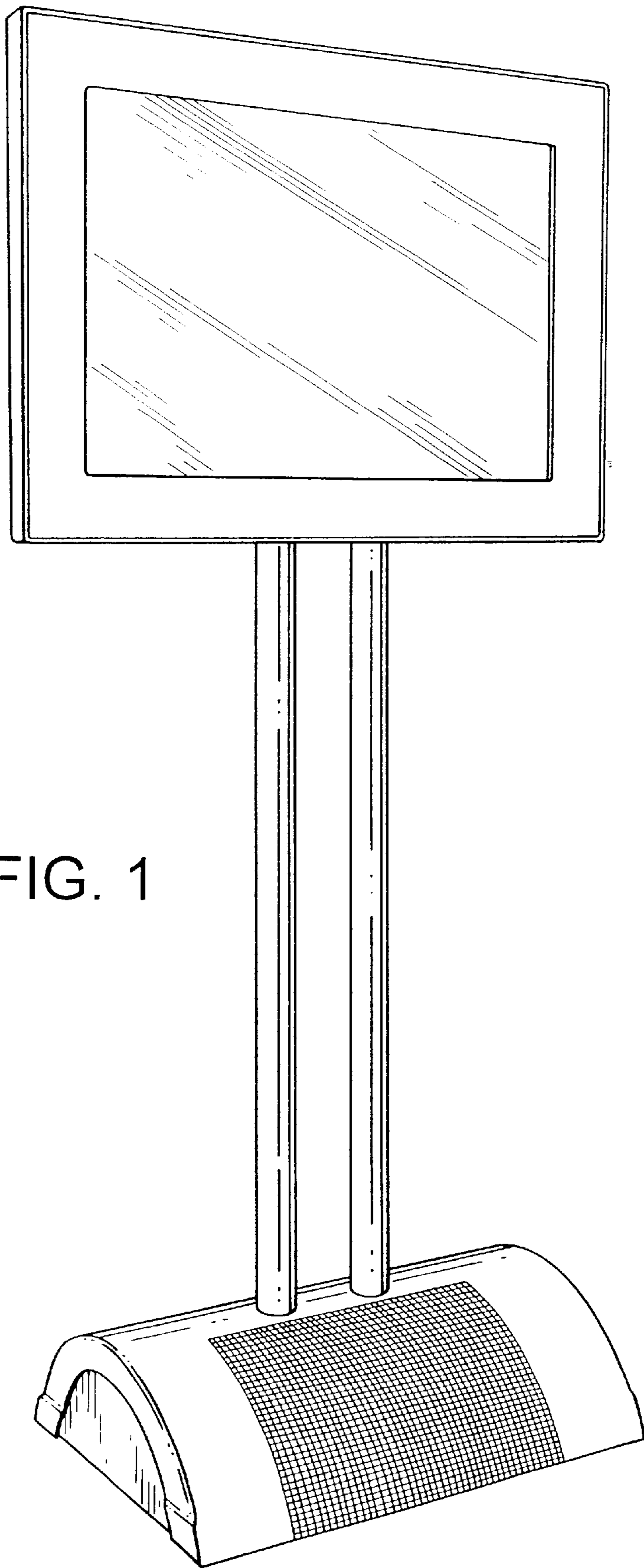


FIG. 1

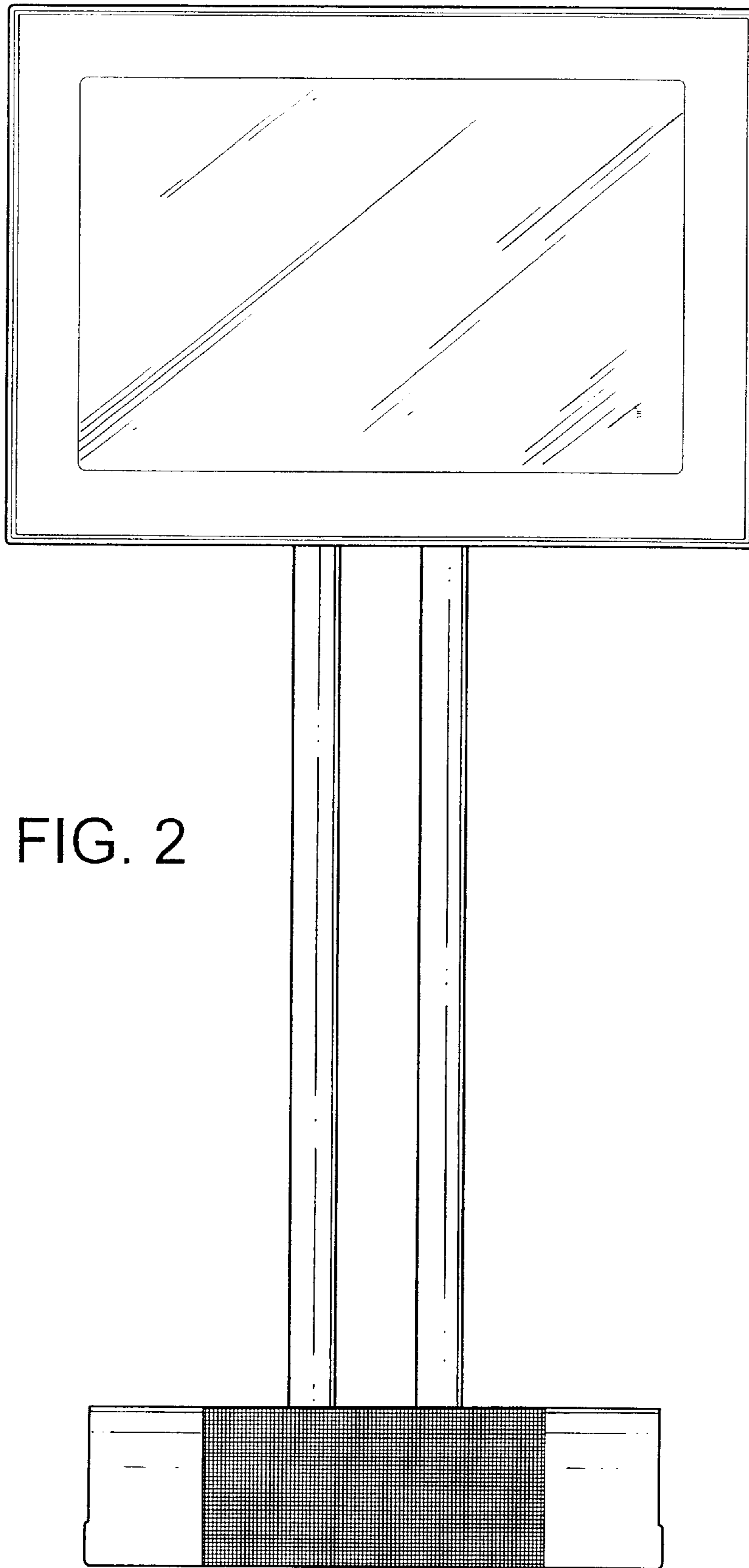


FIG. 2

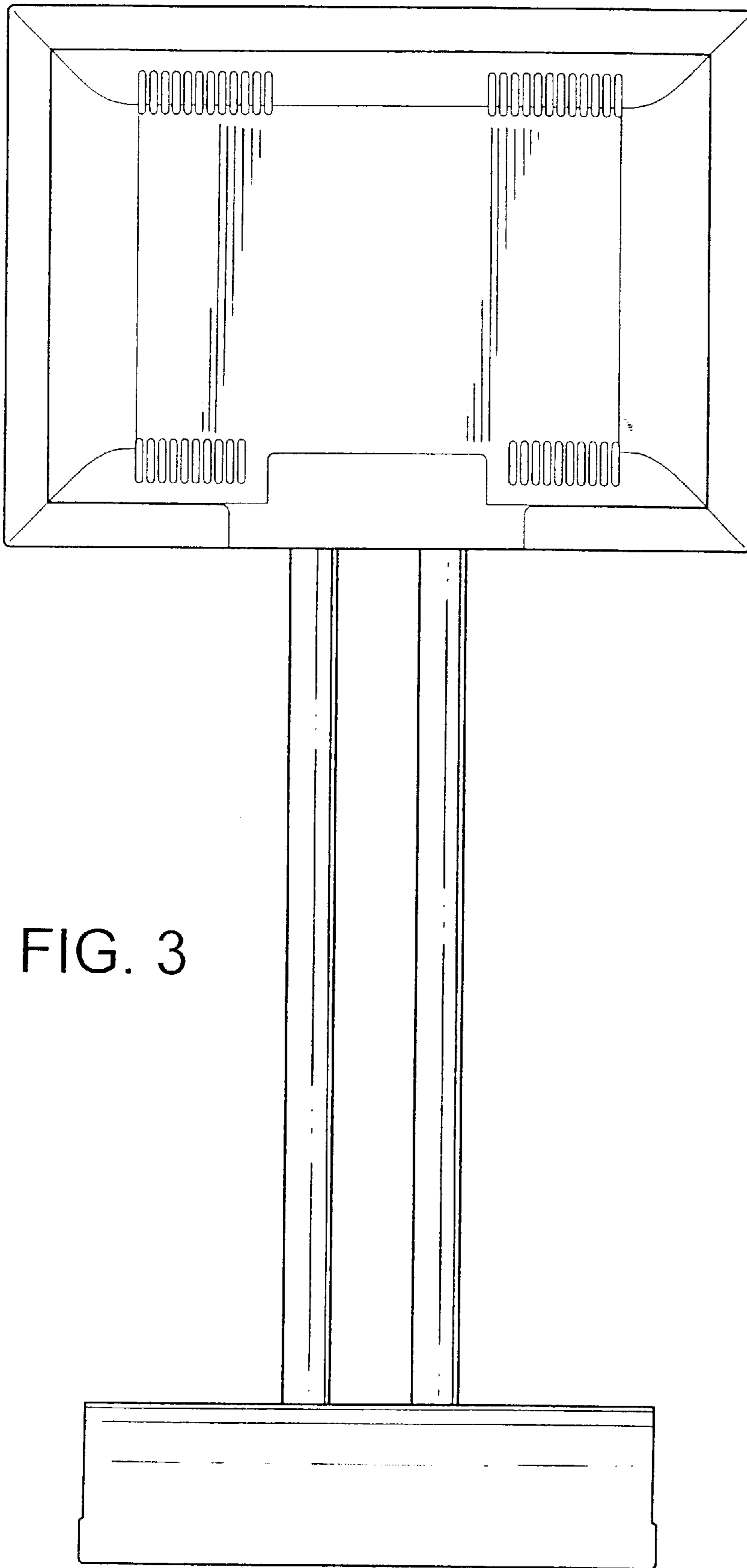


FIG. 3

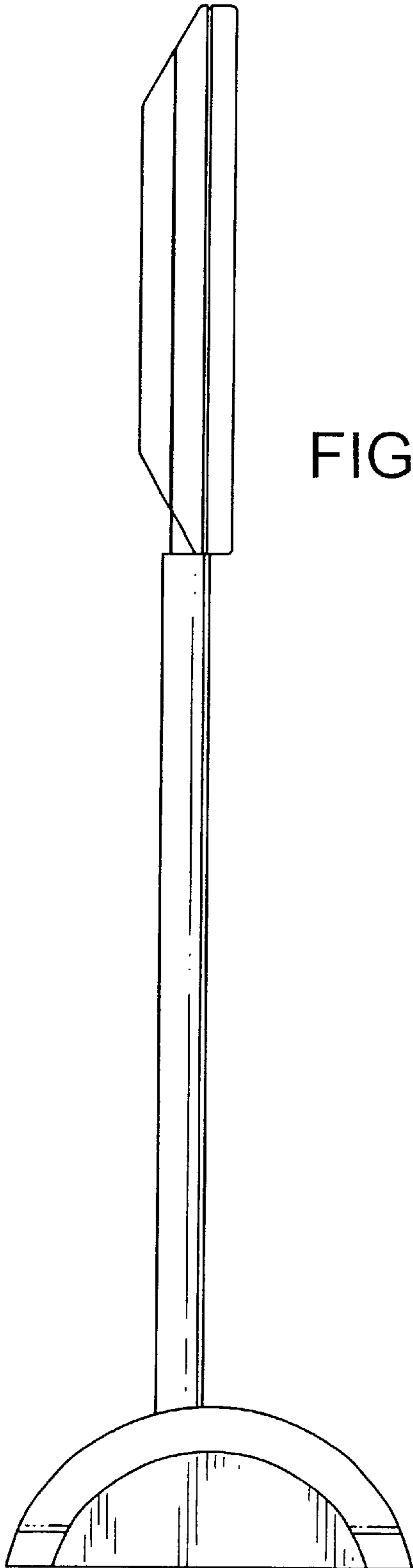


FIG. 4

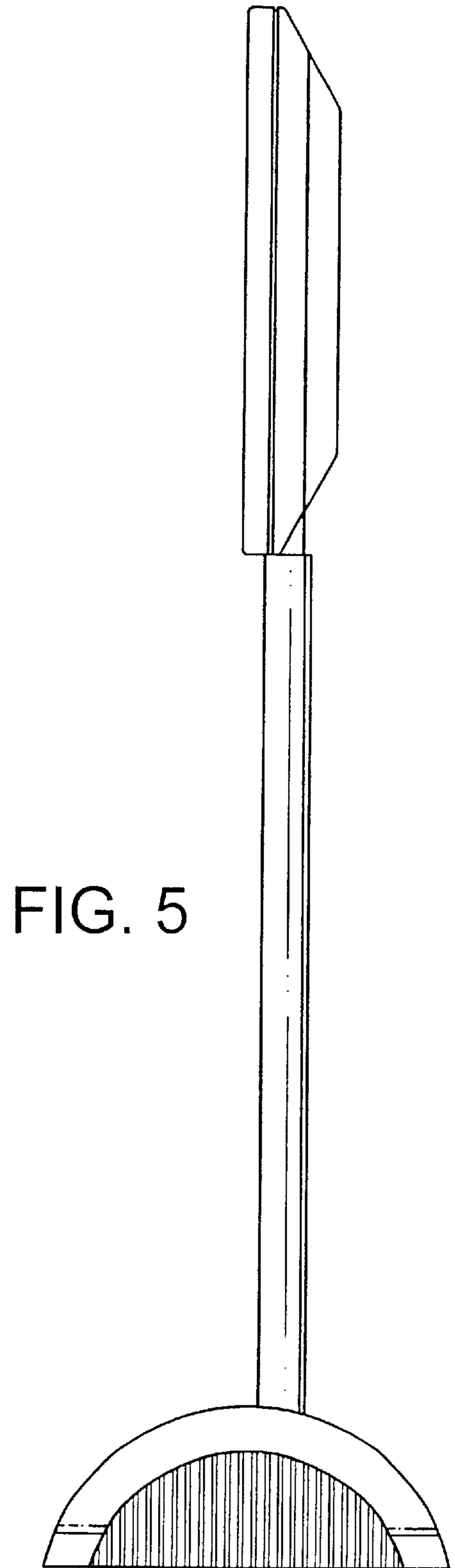


FIG. 5

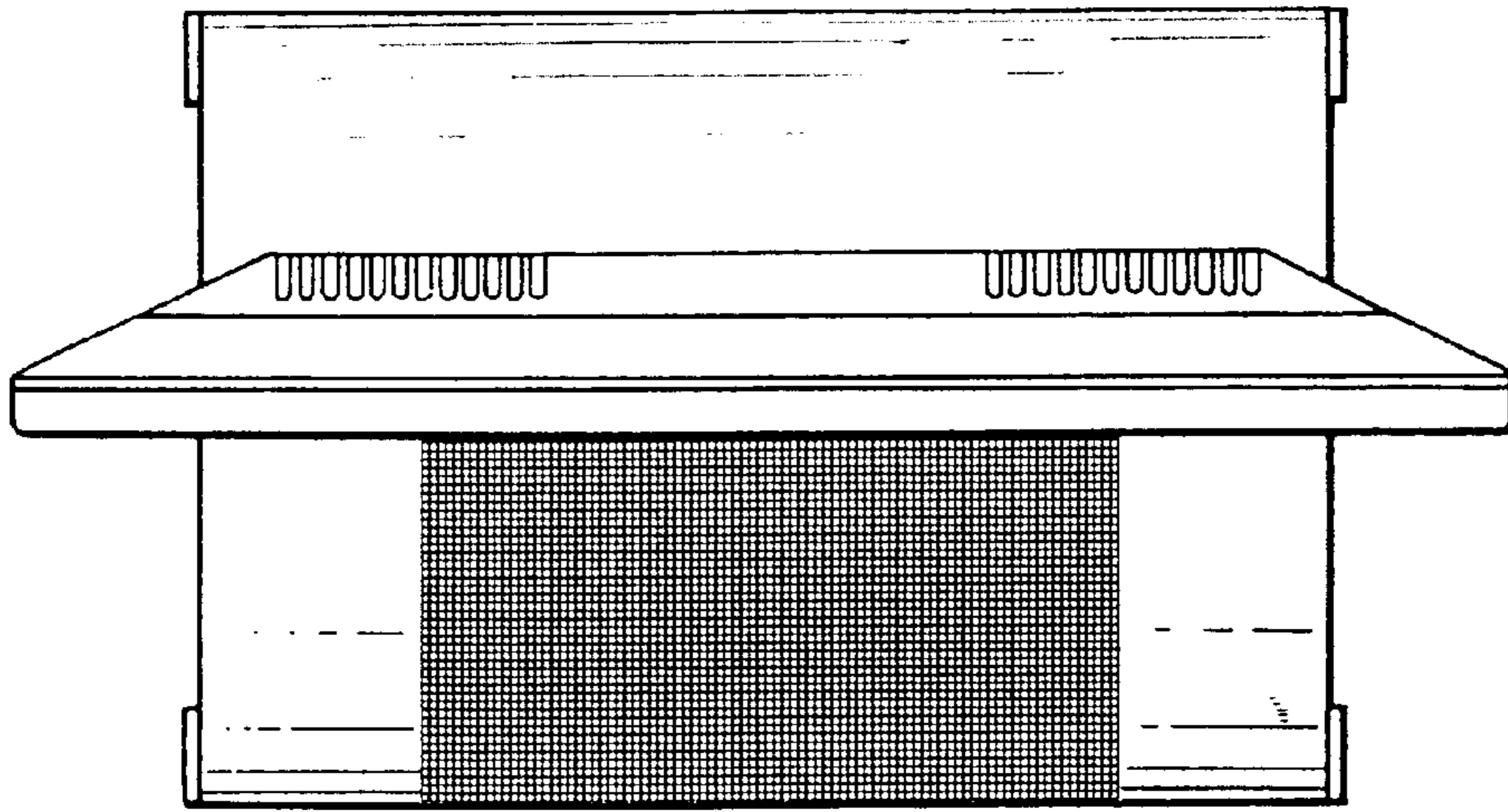


FIG. 6

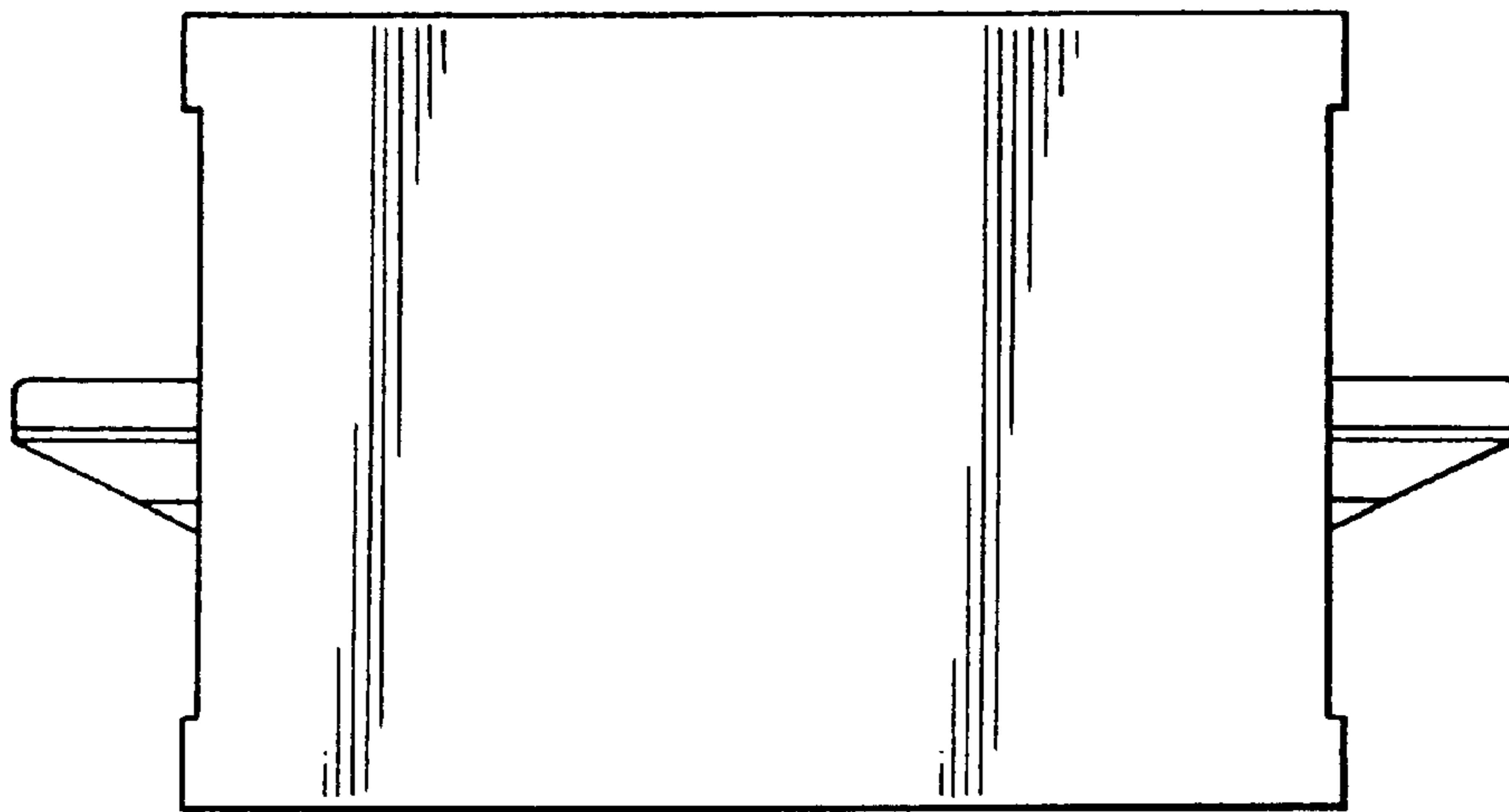


FIG. 7