



US00D455128S

(12) **United States Design Patent**
Laun et al.

(10) **Patent No.:** **US D455,128 S**

(45) **Date of Patent:** **** Apr. 2, 2002**

(54) **SAFETY SWITCH COVER**

(75) Inventors: **Deborah A. Laun**, Syracuse; **Patrick J. Murphy**, Marcellus, both of NY (US)

(73) Assignee: **Pass & Seymour, Inc.**, Syracuse, NY (US)

(**) Term: **14 Years**

(21) Appl. No.: **29/136,473**

(22) Filed: **Jan. 31, 2001**

(51) **LOC (7) Cl.** **13-03**

(52) **U.S. Cl.** **D13/177**

(58) **Field of Search** D8/346, 353; D13/152, D13/156, 158, 160, 173, 177, 184; D14/240; 174/66, 67, 138 F; 200/333; 220/3.8, 241, 242; 439/136

(56) **References Cited**

U.S. PATENT DOCUMENTS

D127,156 S	*	5/1941	Koons	D13/177
3,879,589 A	*	4/1975	Rys	200/50.03
D273,084 S	*	3/1984	Henkel	D8/353
D294,798 S	*	3/1988	Hoehne	D8/353
D305,327 S	*	1/1990	Newmark et al.	D13/160

D324,816 S	*	3/1992	LeDuc	D8/353
D337,311 S	*	7/1993	Perzan et al.	D13/160
5,430,253 A	*	7/1995	Pratt	174/67
D379,970 S	*	6/1997	Chambers et al.	D13/156
D411,826 S	*	7/1999	Lamar et al.	D13/139.6
D427,045 S	*	6/2000	Larsen et al.	D8/302

* cited by examiner

Primary Examiner—Ted Shooman

Assistant Examiner—Selina Sikder

(74) *Attorney, Agent, or Firm*—Wall Marjama & Bilinski LLP

(57) **CLAIM**

The ornamental design for a safety switch cover, as shown and described.

DESCRIPTION

FIG. 1 is a perspective view thereof, illustrating our new Design;

FIG. 2 is a top view thereof;

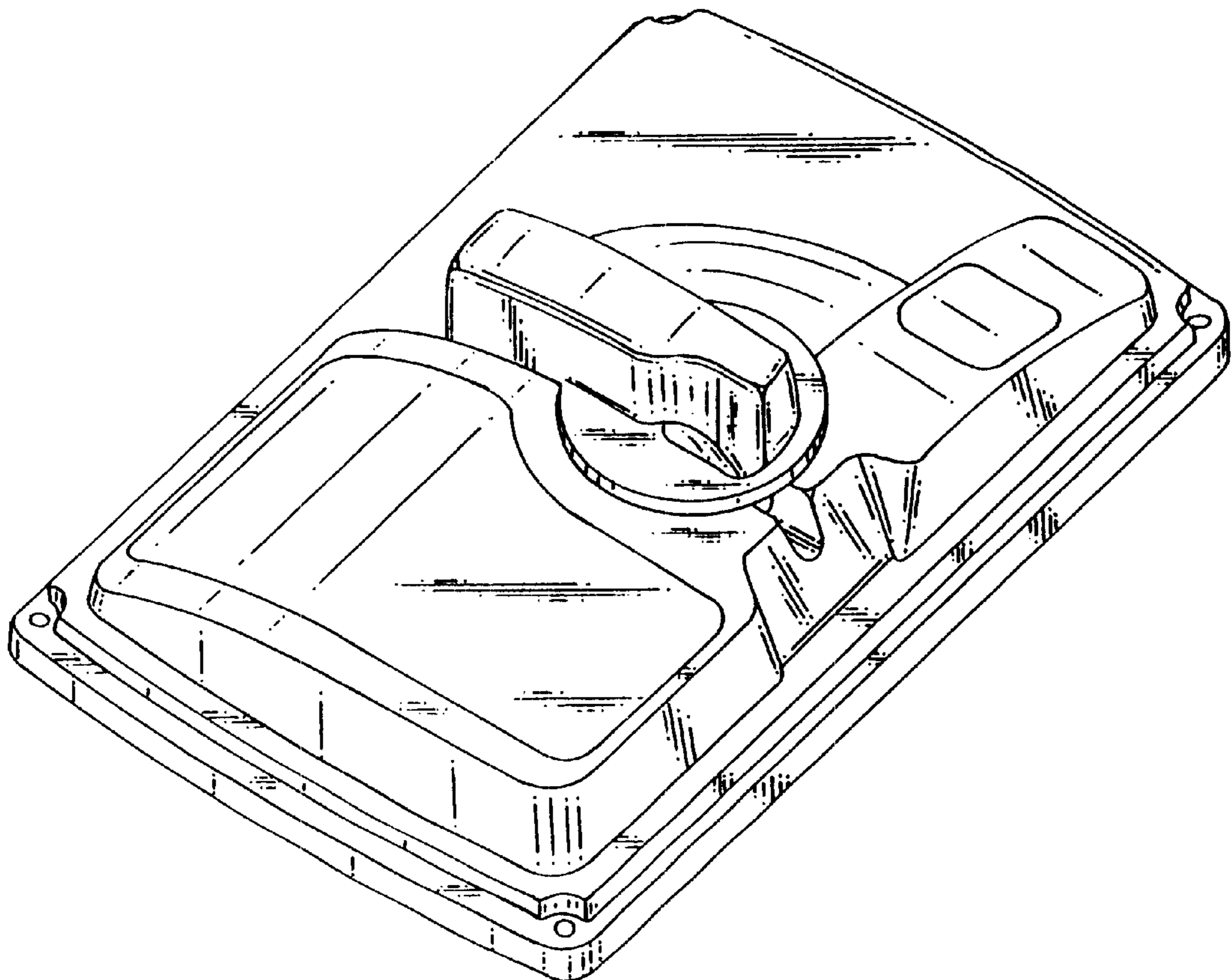
FIG. 3 is an inverted rear elevation view thereof;

FIG. 4 is a first elevation view thereof;

FIG. 5 is a second side elevation view thereof; and,

FIG. 6 is a front elevation view thereof.

1 Claim, 2 Drawing Sheets



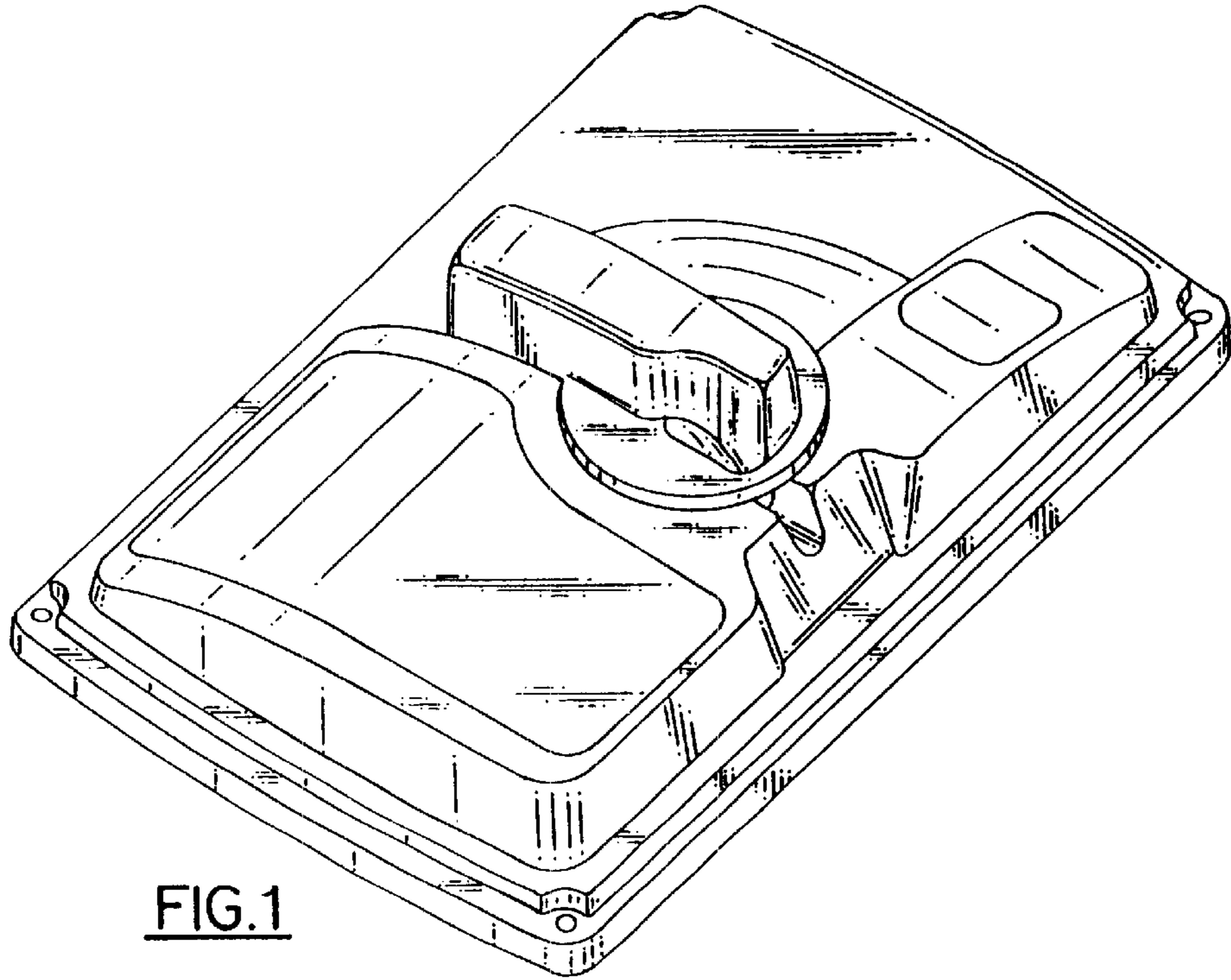


FIG. 1

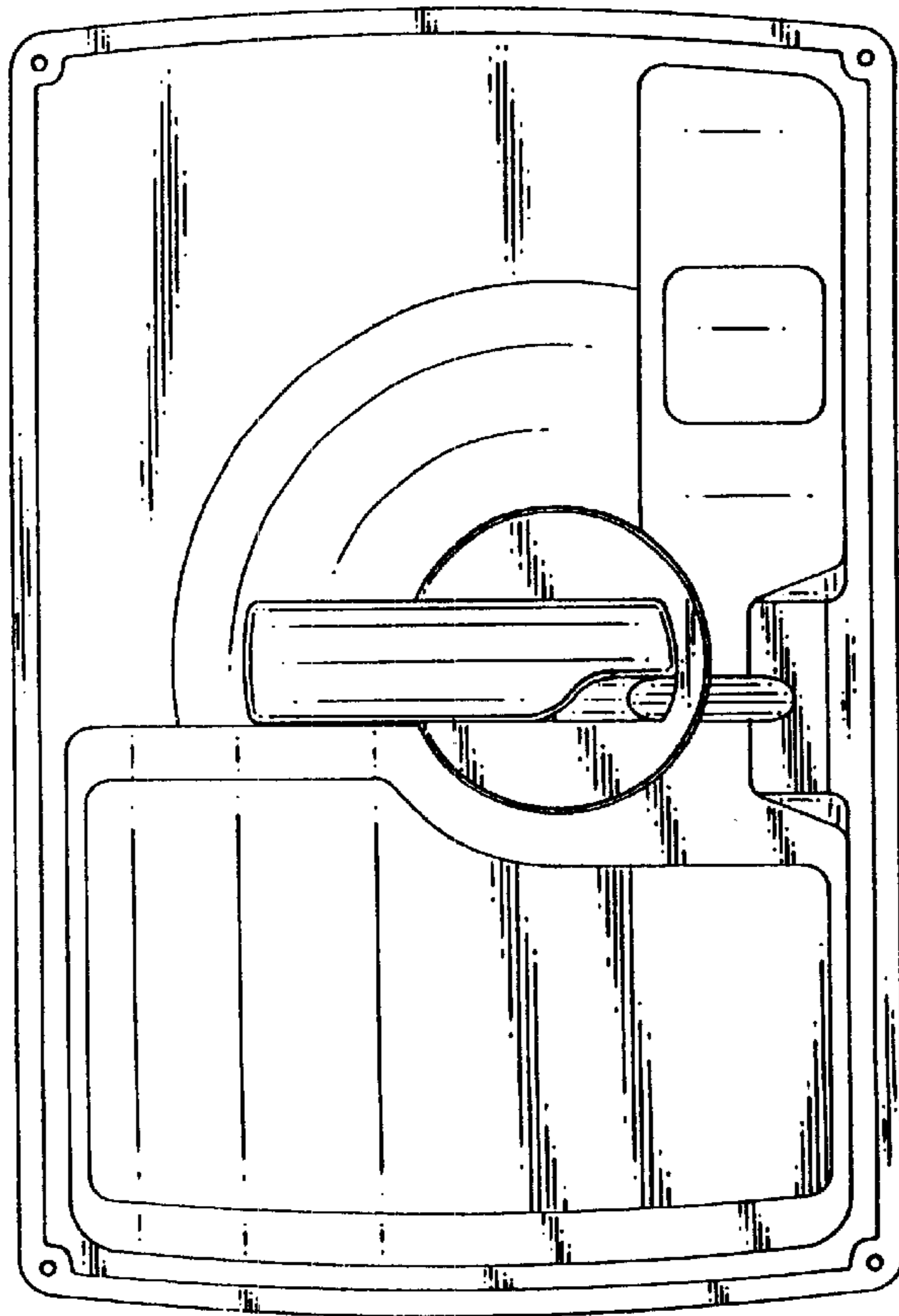


FIG. 2

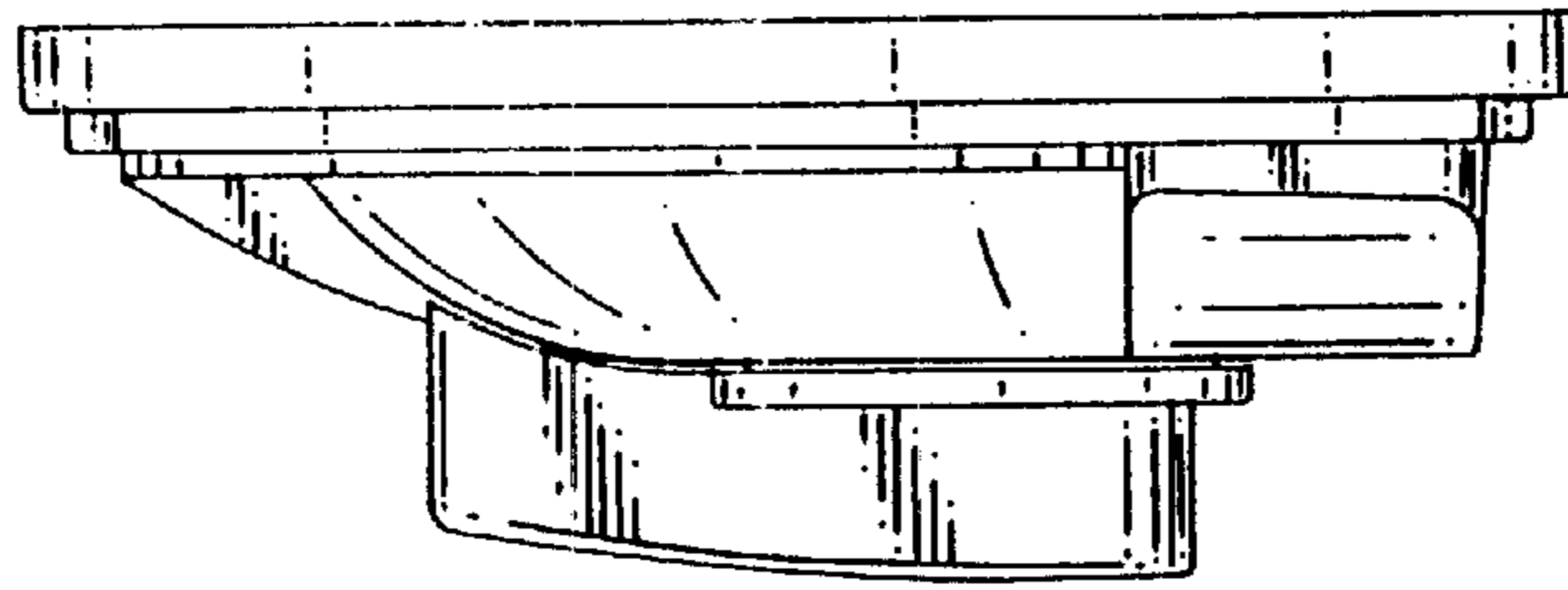


FIG.3

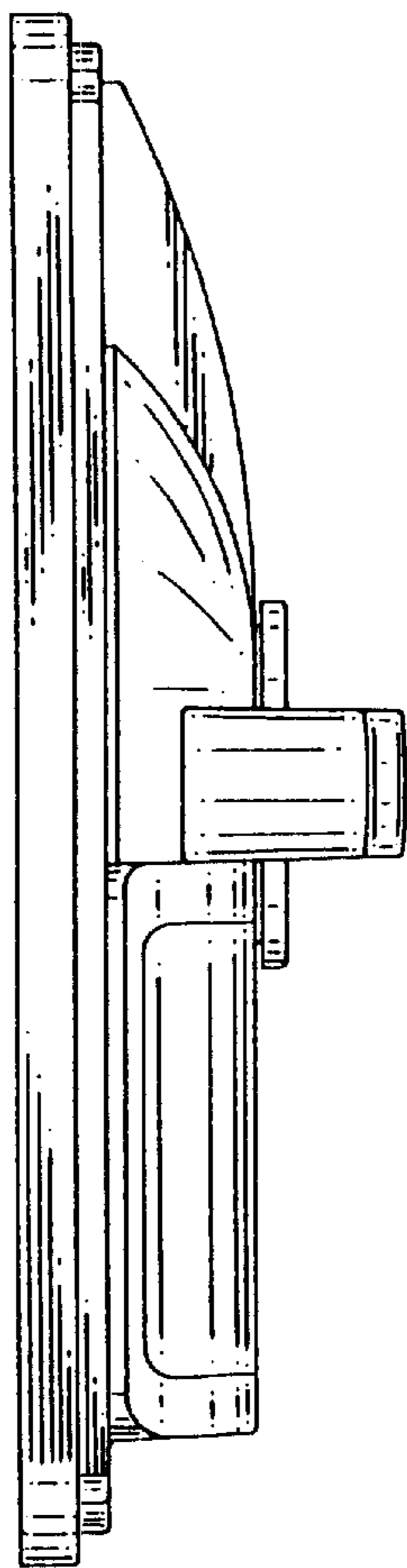


FIG.4

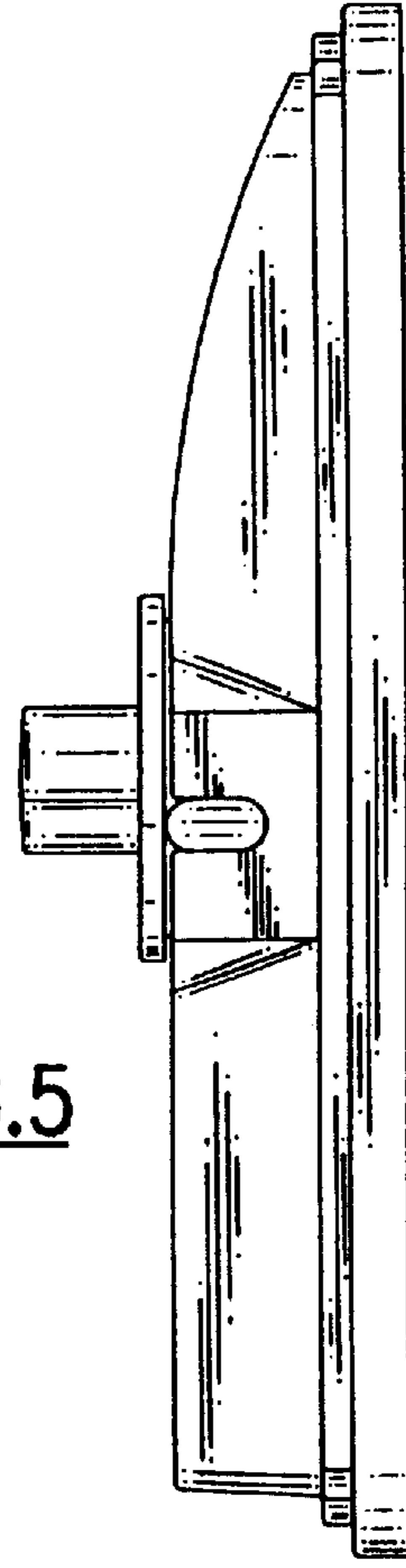


FIG.5

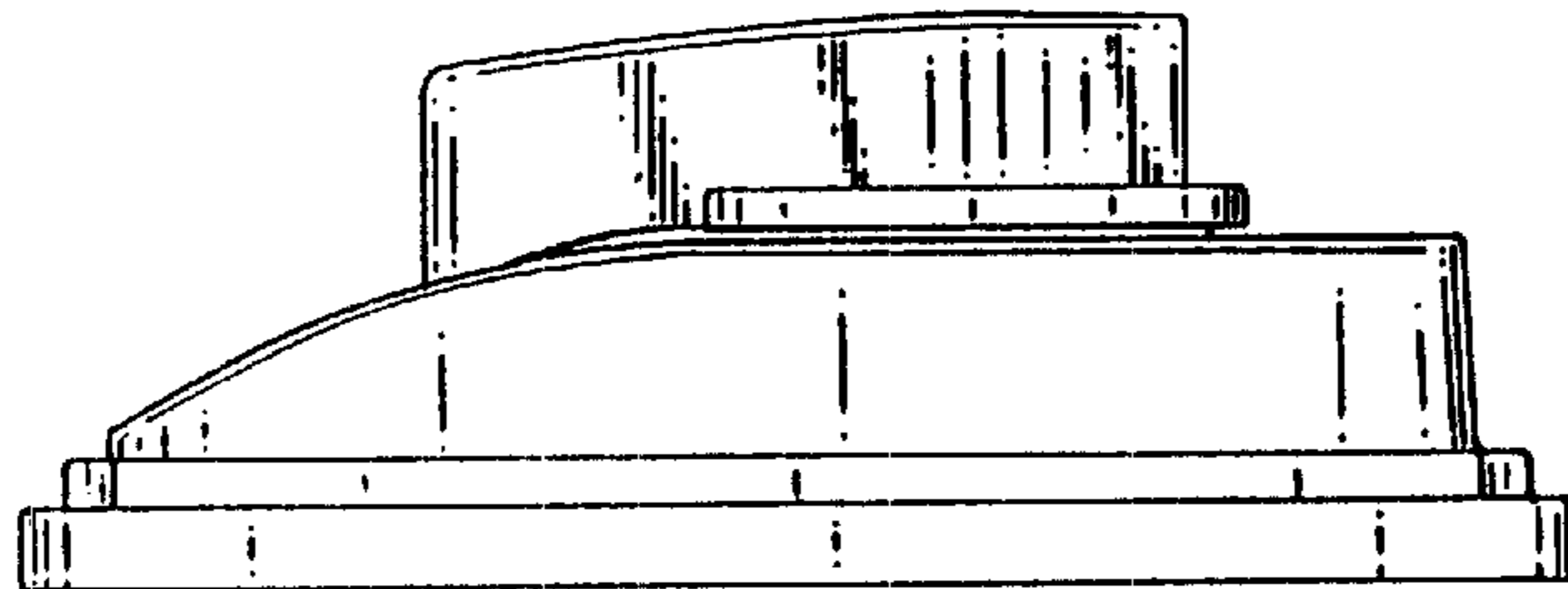


FIG.6