



US00D455127S

(12) **United States Design Patent**
Wu

(10) **Patent No.:** **US D455,127 S**

(45) **Date of Patent:** **** Apr. 2, 2002**

(54) **ELECTRICAL CONNECTOR**

(75) **Inventor:** **Jerry Wu, Pan-Chiao (TW)**

(73) **Assignee:** **Hon Hai Precision Ind. Co., Ltd.,
Taipei Hsien (TW)**

(**) **Term:** **14 Years**

(21) **Appl. No.:** **29/144,150**

(22) **Filed:** **Jun. 26, 2001**

(51) **LOC (7) Cl. 13-03**

(52) **U.S. Cl. D13/147**

(58) **Field of Search D13/147; 439/79,
439/108, 637, 638**

(56) **References Cited**

U.S. PATENT DOCUMENTS

5,201,661	A	*	4/1993	Ii	439/79
5,645,436	A	*	7/1997	Shimizu et al.	439/108
D390,828	S	*	2/1998	Aramaki	D13/147
D399,490	S	*	10/1998	Gerke et al.	D13/147
D410,897	S	*	6/1999	Huang	D13/147

D412,700	S	*	8/1999	Gardner et al.	D13/147
D416,229	S	*	11/1999	Narumo et al.	D13/147
D434,007	S	*	11/2000	Feldt	D13/147
D443,861	S	*	6/2001	Ko et al.	D13/147
6,290,515	B1	*	9/2001	Lee	439/108

* cited by examiner

Primary Examiner—Joel Sincavage

(74) *Attorney, Agent, or Firm*—Wei Te Chung

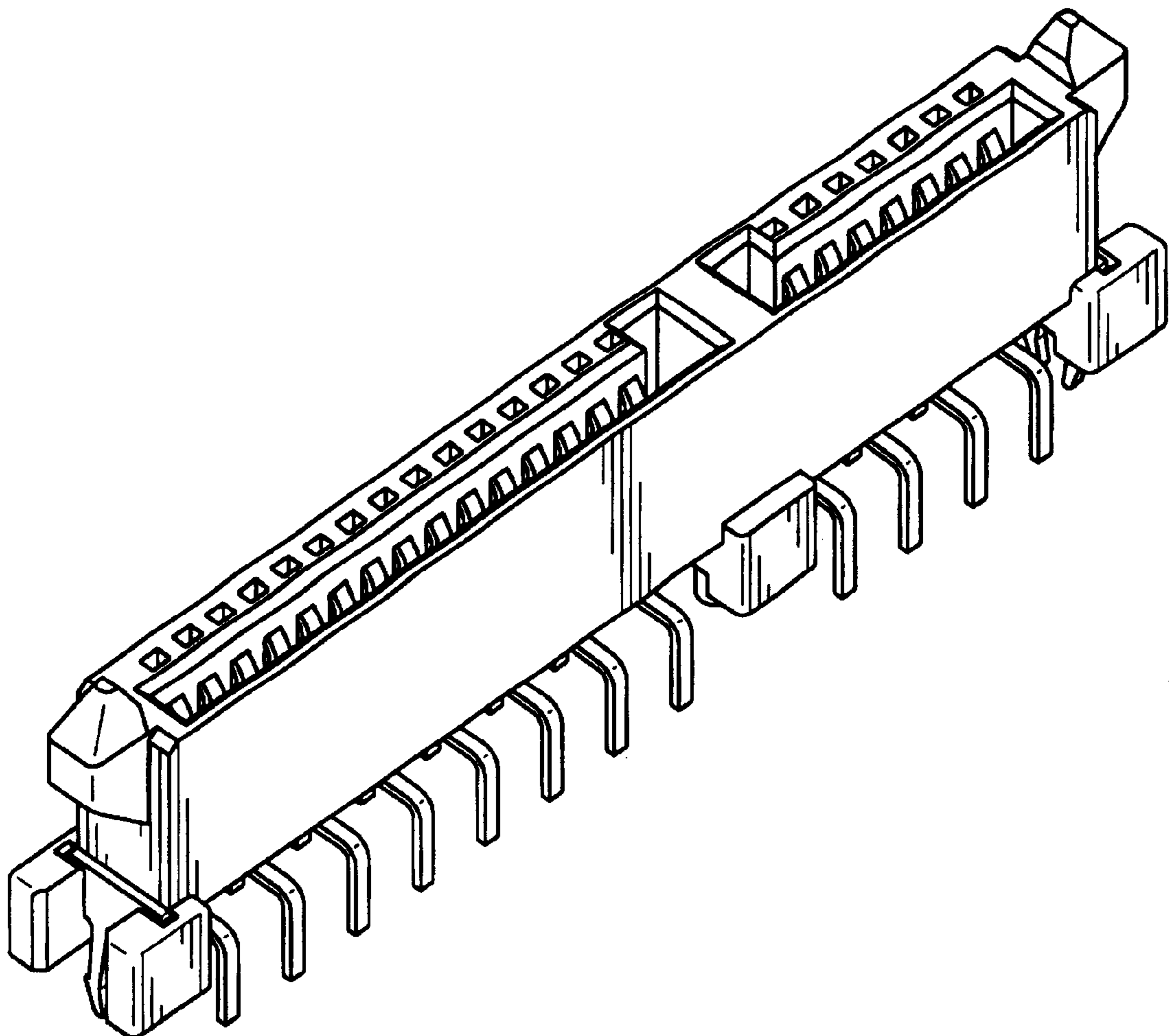
(57) **CLAIM**

The ornamental design for an electrical connector, as shown.

DESCRIPTION

FIG. 1 is a front, top and left side perspective view of an electrical connector showing my new design; FIG. 2 is a front elevational view thereof; FIG. 3 is a rear elevational view thereof; FIG. 4 is a left side elevational view thereof; FIG. 5 is a right side elevational view thereof; FIG. 6 is a top plan view thereof; and, FIG. 7 is a bottom plan view thereof.

1 Claim, 5 Drawing Sheets



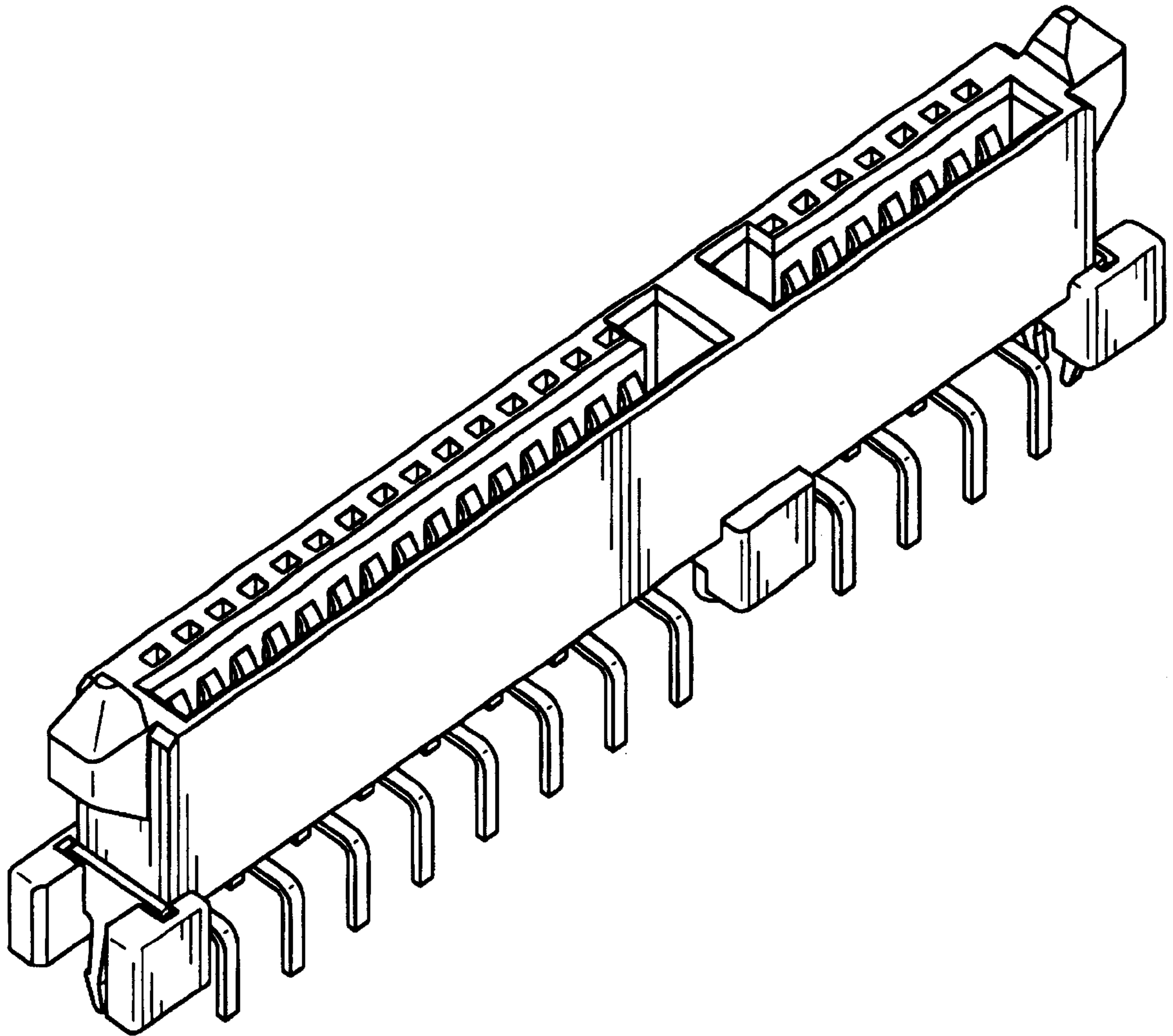


FIG. 1

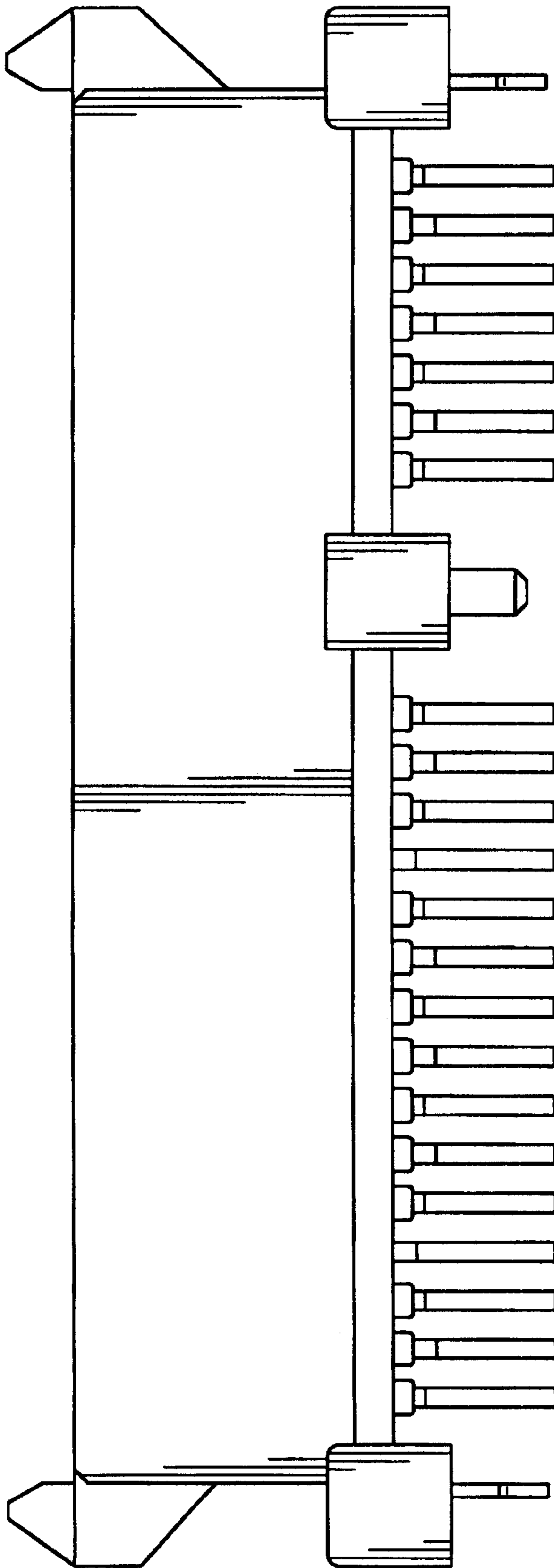


FIG. 2

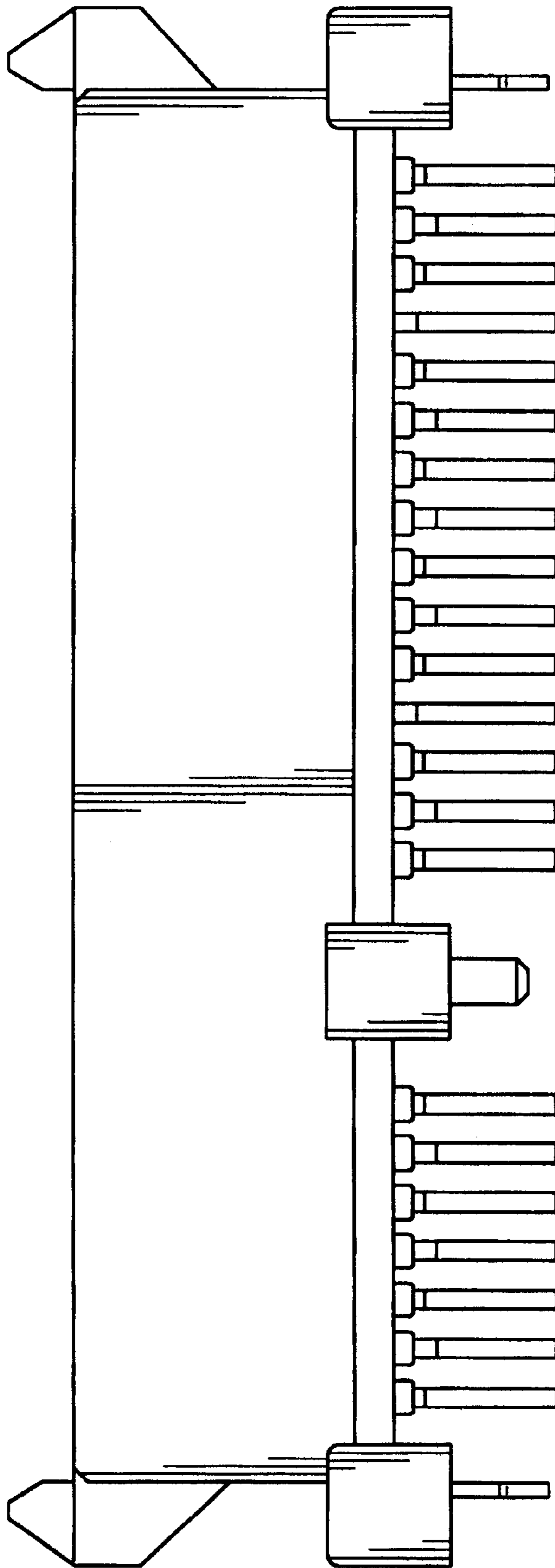


FIG. 3

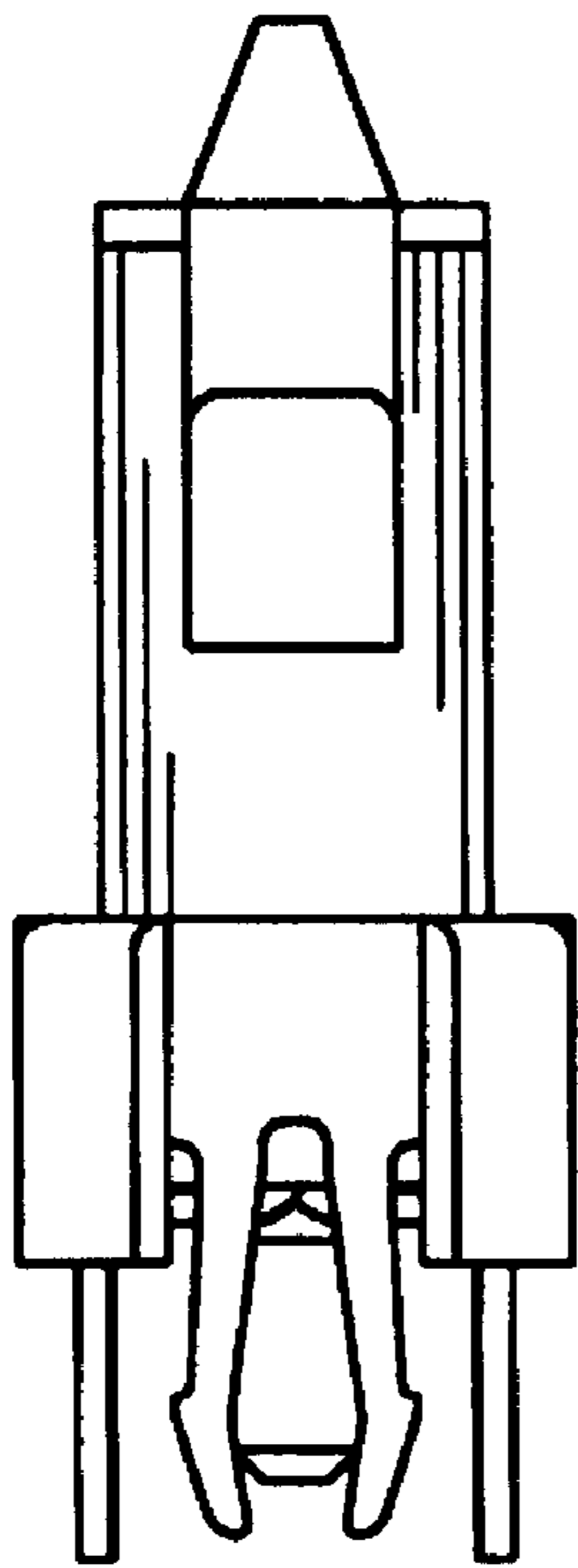


FIG. 4

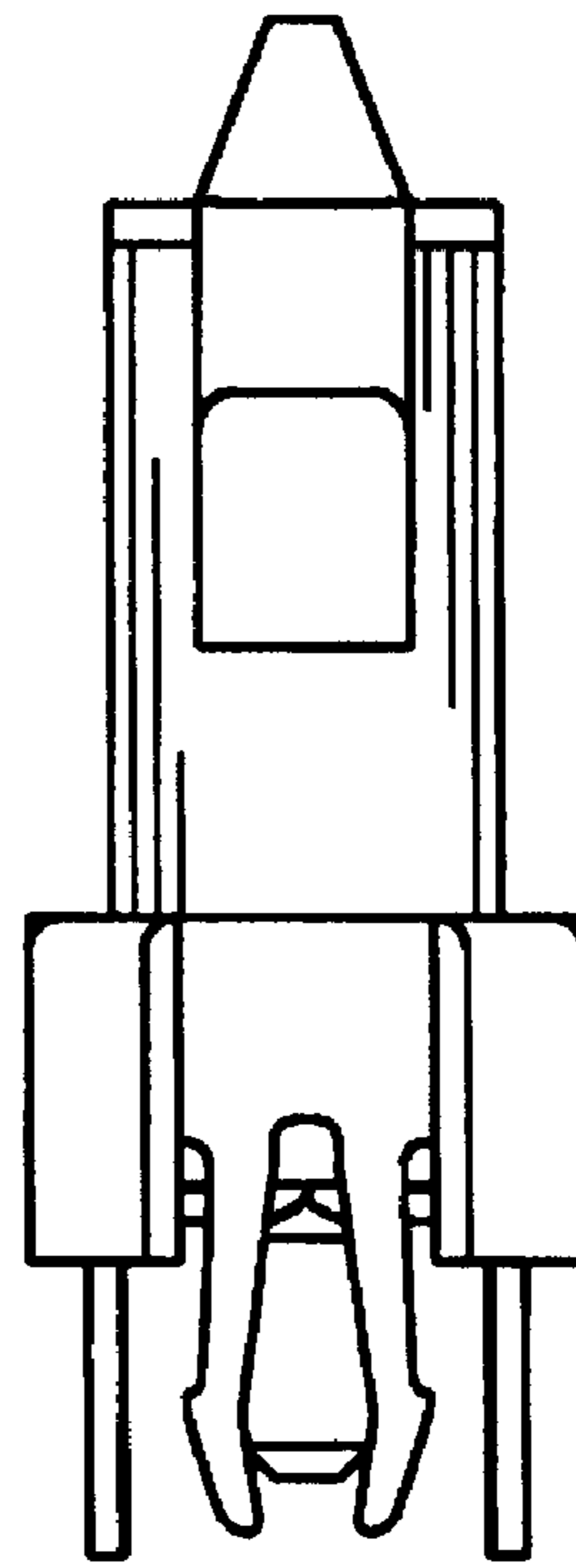


FIG. 5

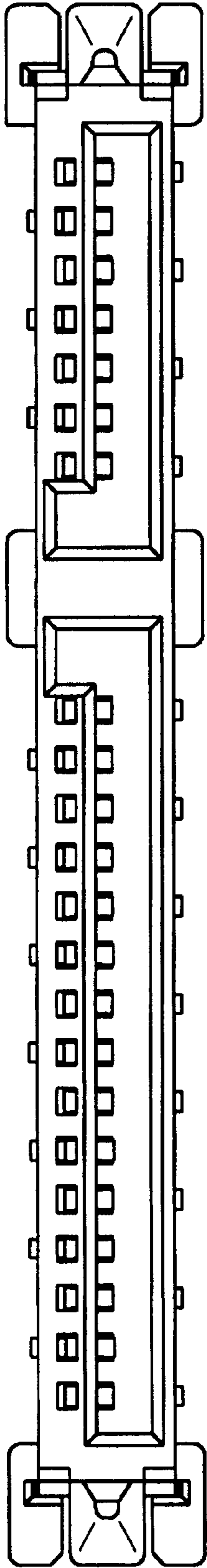


FIG. 6

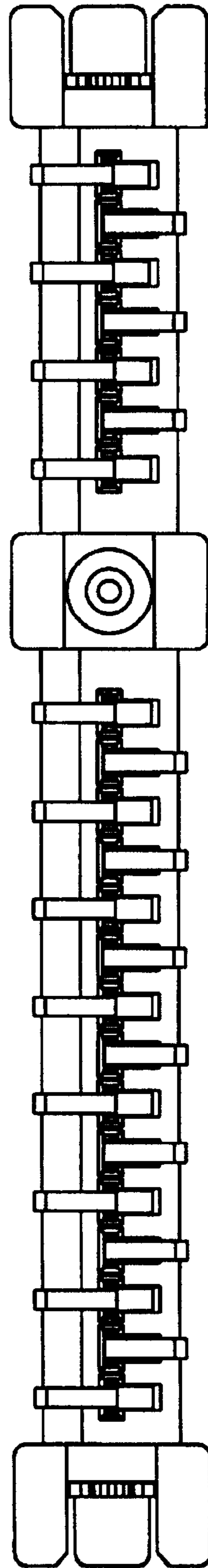


FIG. 7