



US00D455123S

(12) **United States Design Patent**
Gershfeld

(10) **Patent No.:** **US D455,123 S**

(45) **Date of Patent:** **** *Apr. 2, 2002**

(54) **QUADRUPLE INTERCONNECT ENCLOSURE FOR COMPUTER AND AUDIO VISUAL EQUIPMENT CONCEALABLE IN FURNITURE**

Primary Examiner—Jennifer Rivard
(74) *Attorney, Agent, or Firm*—Vladimir Khiterer

(57) **CLAIM**

The ornamental design for a quadruple interconnect enclosure for computer and audio visual equipment concealable in furniture, as shown and described.

DESCRIPTION

FIG. 1 is a perspective view of a quadruple interconnect enclosure for computer and audio visual equipment concealable in furniture in the open position. The broken lines are to illustrate an environment only and form no part of the claimed design.

FIG. 2 is a perspective view thereof in the concealed position. The broken lines are to illustrate an environment only and form no part of the claimed design.

FIG. 3 is a front elevational view thereof in the open position. The broken lines are to illustrate an environment only and form no part of the claimed design.

FIG. 4 is a front elevational view thereof in the concealed position. The broken lines are to illustrate an environment only and form no part of the claimed design.

FIG. 5 is a back elevational view thereof in the open position. The broken lines are to illustrate an environment only and form no part of the claimed design; and,

FIG. 6 is a top plan view thereof in the concealed position. The appearance of the bottom forms no part of the claimed design.

(76) **Inventor:** **Jack Gershfeld**, 615 Del Rio Way, Fullerton, CA (US) 92835

(*) **Notice:** This patent is subject to a terminal disclaimer.

(**) **Term:** **14 Years**

(21) **Appl. No.:** **29/139,860**

(22) **Filed:** **Apr. 9, 2001**

(51) **LOC (7) Cl.** **13-03**

(52) **U.S. Cl.** **D13/139.4**

(58) **Field of Search** D13/139.4, 139.6–139.8; 439/131, 135, 638, 650–654, 142; 174/48, 49, 53, 58

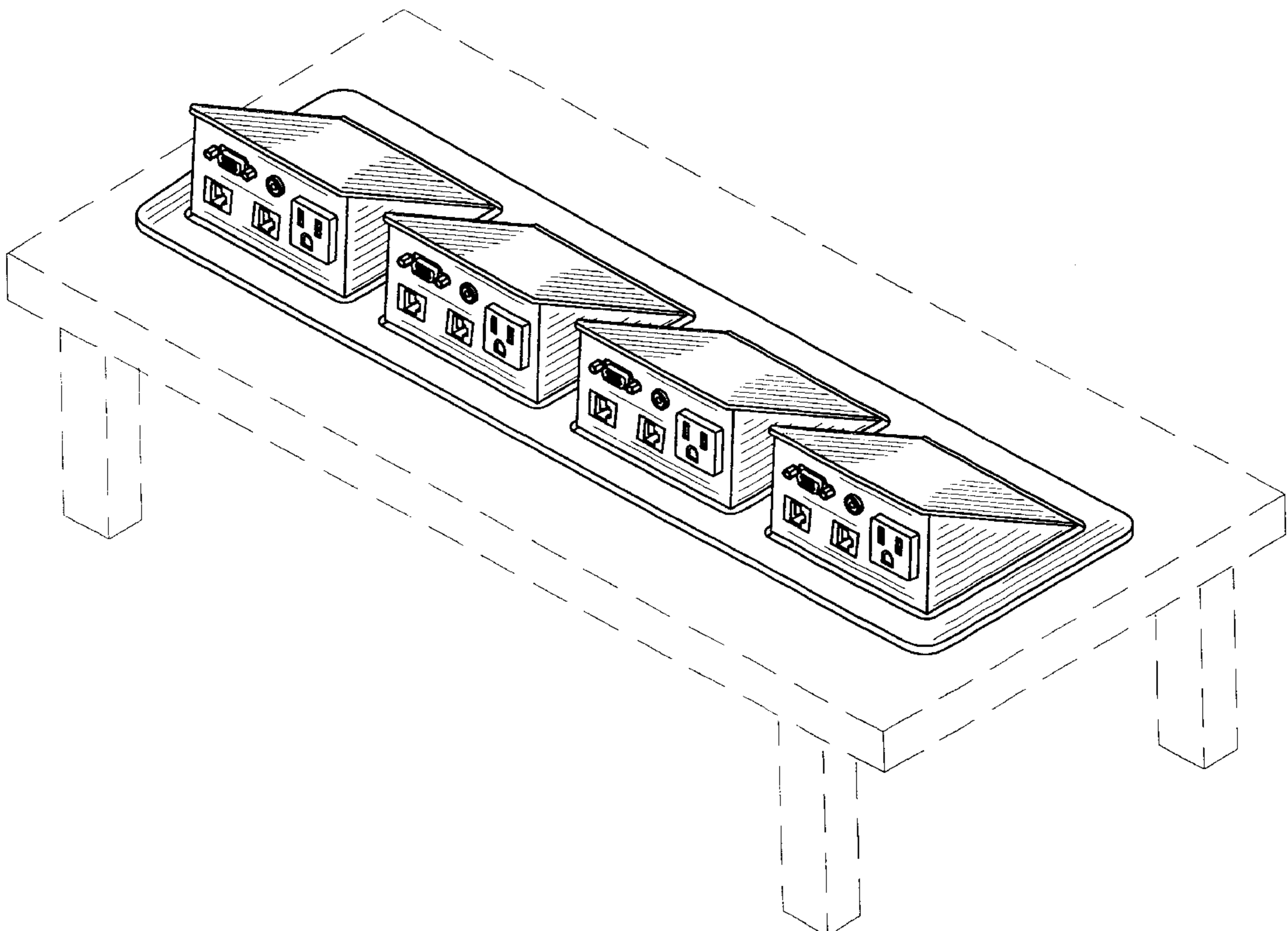
(56) **References Cited**

U.S. PATENT DOCUMENTS

5,122,069	A	*	6/1992	Brownlie et al.	439/131
D353,363	S	*	12/1994	Toby	D13/139.4
D412,697	S	*	8/1999	Byrne	D13/139.4
6,162,071	A	*	12/2000	Muller	439/142

* cited by examiner

1 Claim, 6 Drawing Sheets



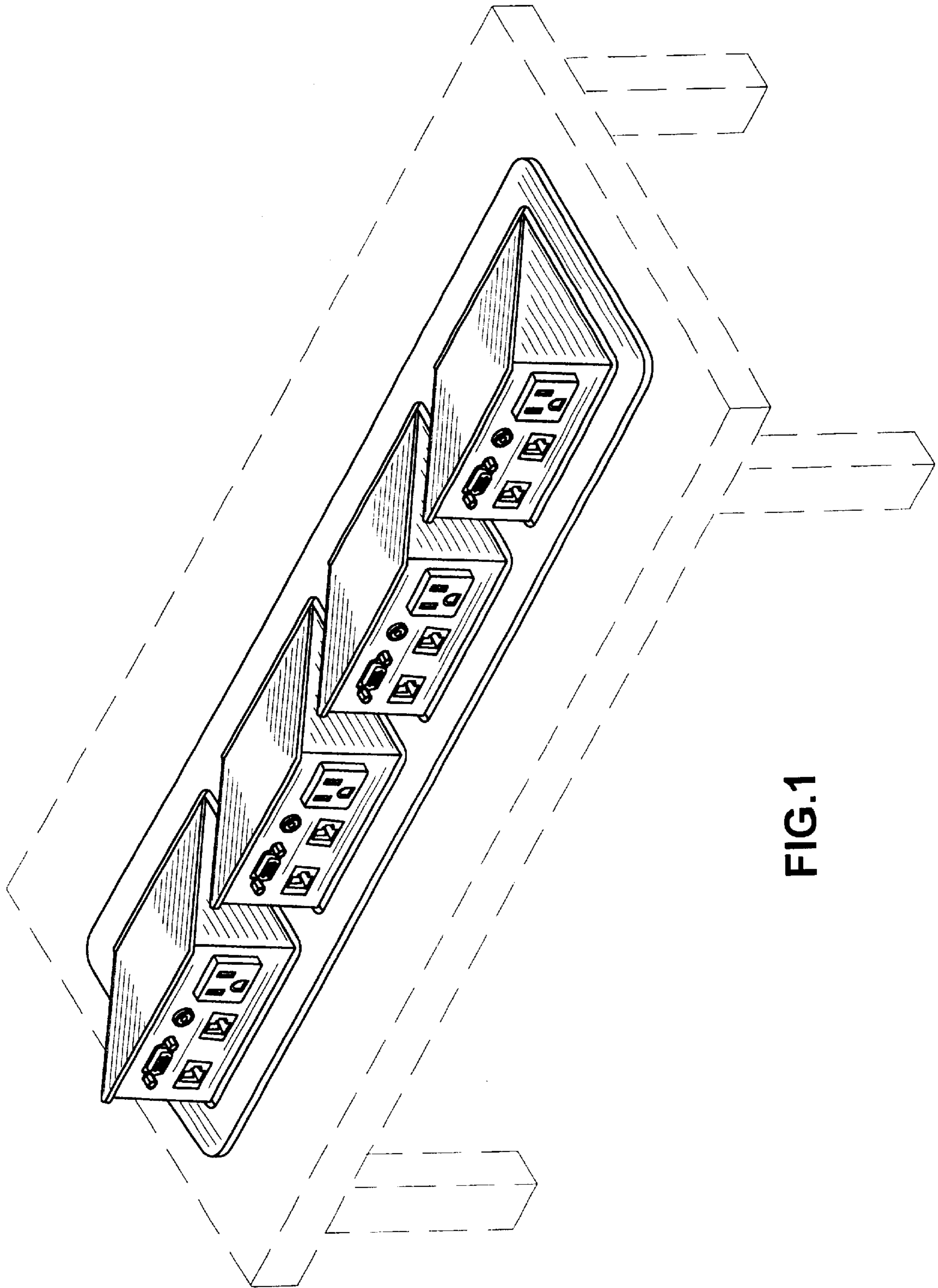


FIG.1

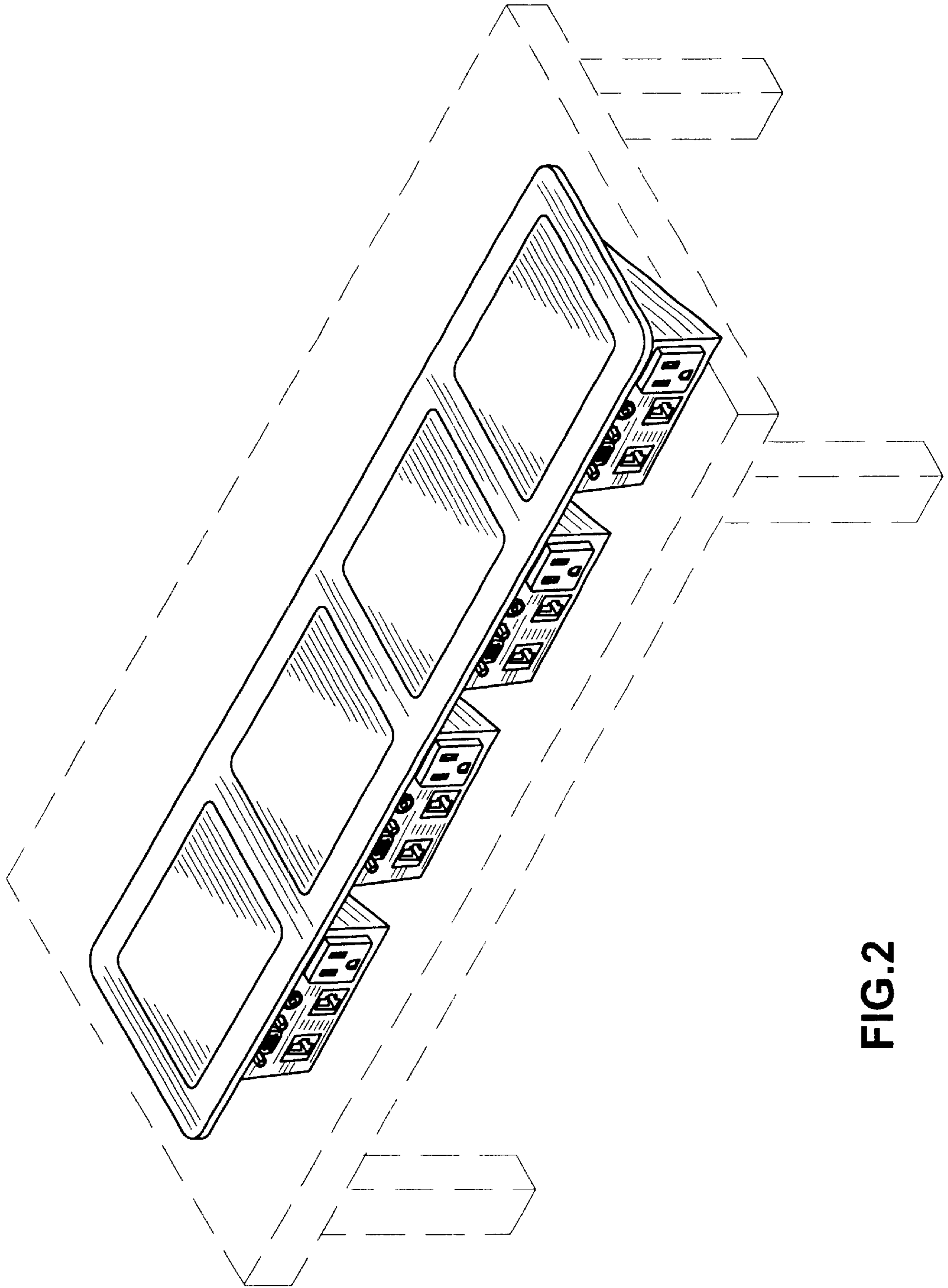


FIG.2

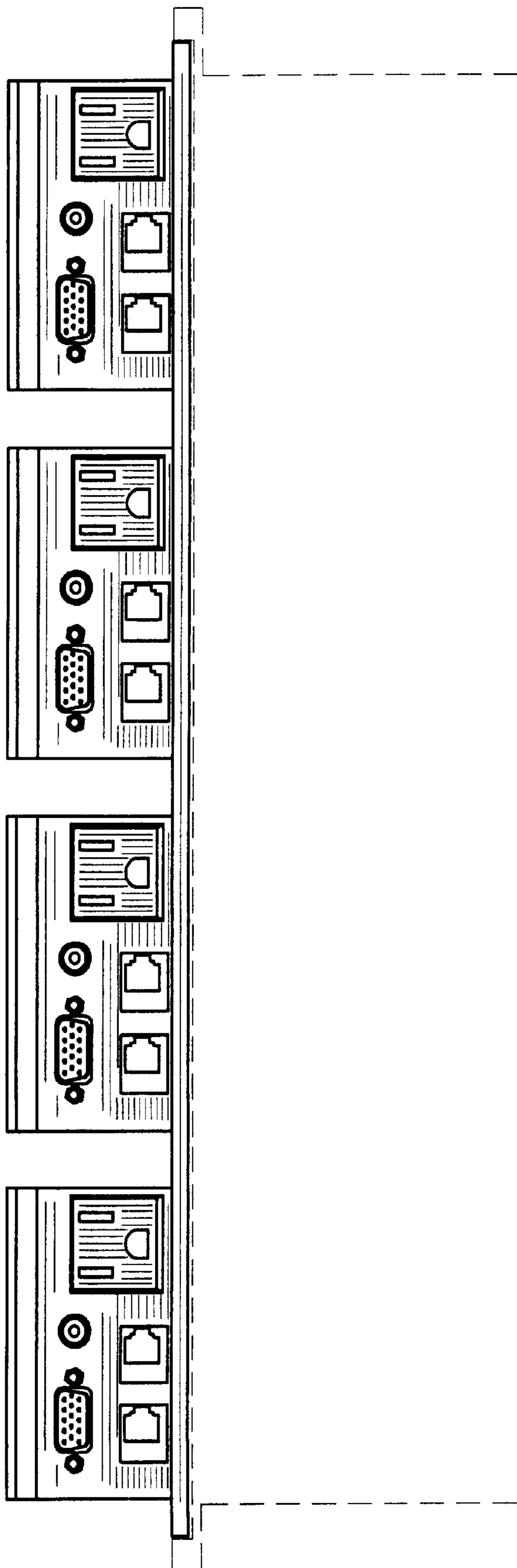


FIG.3

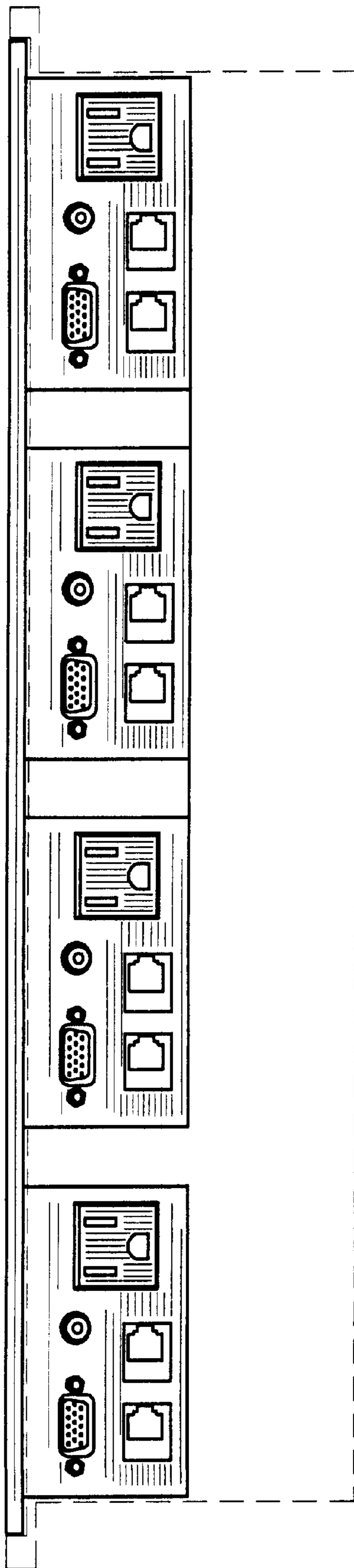


FIG.4

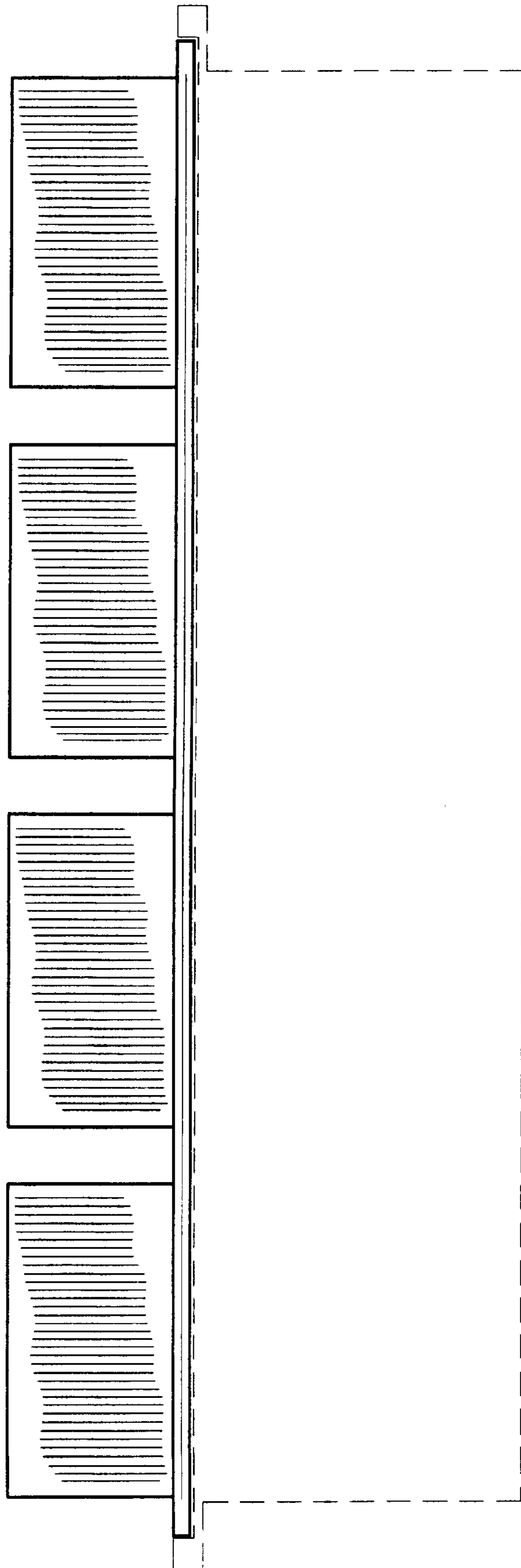


FIG.5

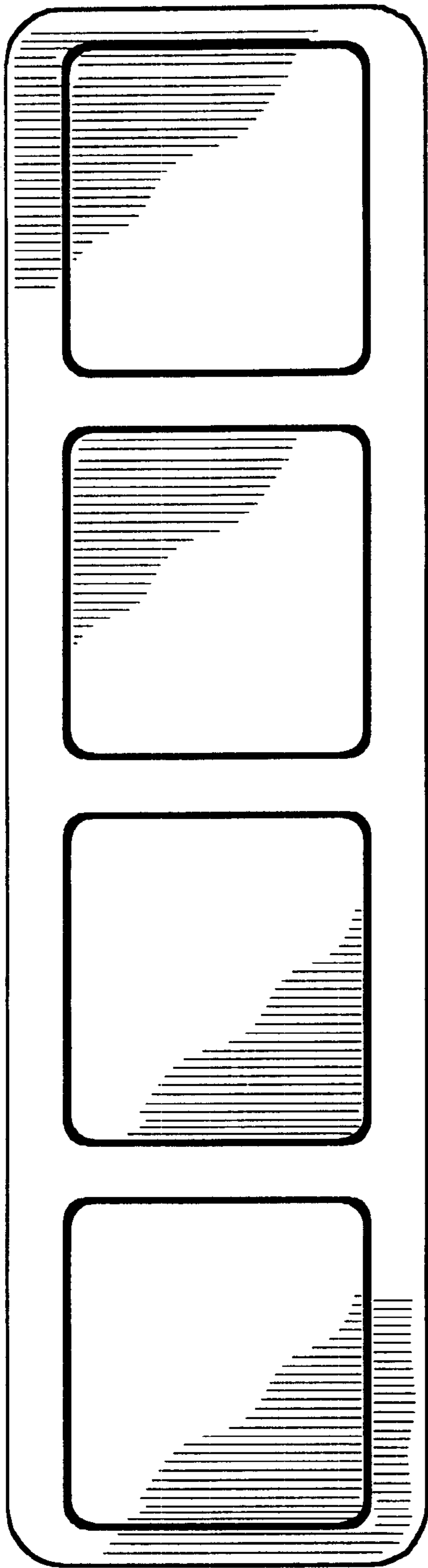


FIG.6