



US00D455122S

(12) **United States Design Patent**
Bentz et al.

(10) **Patent No.:** **US D455,122 S**

(45) **Date of Patent:** **** Apr. 2, 2002**

(54) **RECEPTACLE HOUSING FOR A WALL MOUNTED MEDIA CONVERTER**

6,227,717 B1 * 5/2001 Ott et al. 385/134 X
D446,501 S * 8/2001 Donnell et al. D13/133
6,283,640 B1 * 9/2001 Stephenson et al. 385/58

(75) Inventors: **Craig A. Bentz**, Bloomington; **Vern Loch**, Prior Lake; **Joseph Coffey**, Burnsville, all of MN (US)

* cited by examiner

Primary Examiner—Joel Sincavage

(73) Assignee: **ADC Telecommunications, Inc.**, Eden Prairie, MN (US)

(74) *Attorney, Agent, or Firm*—Merchant & Gould P.C.

(**) Term: **14 Years**

(57) **CLAIM**

The ornamental design for a receptacle housing for a wall mounted media converter, as shown and described.

(21) Appl. No.: **29/127,697**

DESCRIPTION

(22) Filed: **Aug. 10, 2000**

(51) **LOC (7) Cl.** **13-03**

(52) **U.S. Cl.** **D13/133; D13/154**

(58) **Field of Search** D13/133; 174/152.1, 174/65 R; 385/58, 134, 139

FIG. 1 is a perspective view of a receptacle for a media converter showing our new design;

FIG. 2 is a front elevational view of the receptacle shown in FIG. 1;

FIG. 3 is a back elevational view of the receptacle shown in FIG. 1;

FIG. 4 is a right elevational side view of the receptacle shown in FIG. 1;

FIG. 5 is a left elevational side view of the receptacle shown in FIG. 1;

FIG. 6 is a top plan view of the receptacle shown in FIG. 1; and,

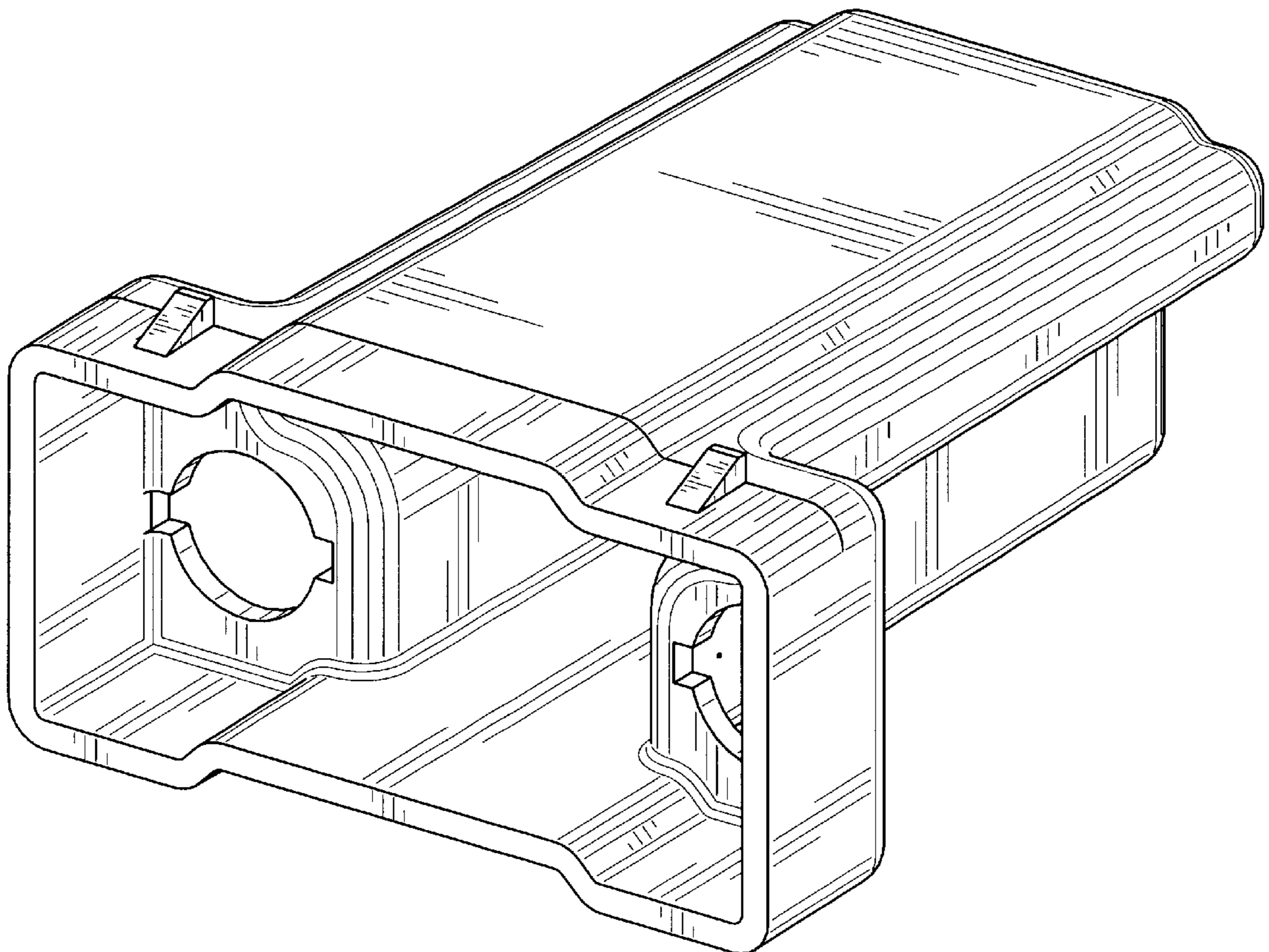
FIG. 7 is a bottom plan view of the receptacle shown in FIG. 1.

(56) **References Cited**

U.S. PATENT DOCUMENTS

4,762,388 A * 8/1988 Tanaka et al. 385/58
5,675,682 A * 10/1997 Marchi 385/139 X
D394,426 S * 5/1998 Akins D13/133
5,774,617 A * 6/1998 Stockman et al. 385/134
5,881,191 A * 3/1999 Liberty 385/58
5,898,813 A * 4/1999 Beier 385/139
6,104,856 A * 8/2000 Lampert 385/139 X
6,206,582 B1 * 3/2001 Gilliland 385/139 X

1 Claim, 4 Drawing Sheets



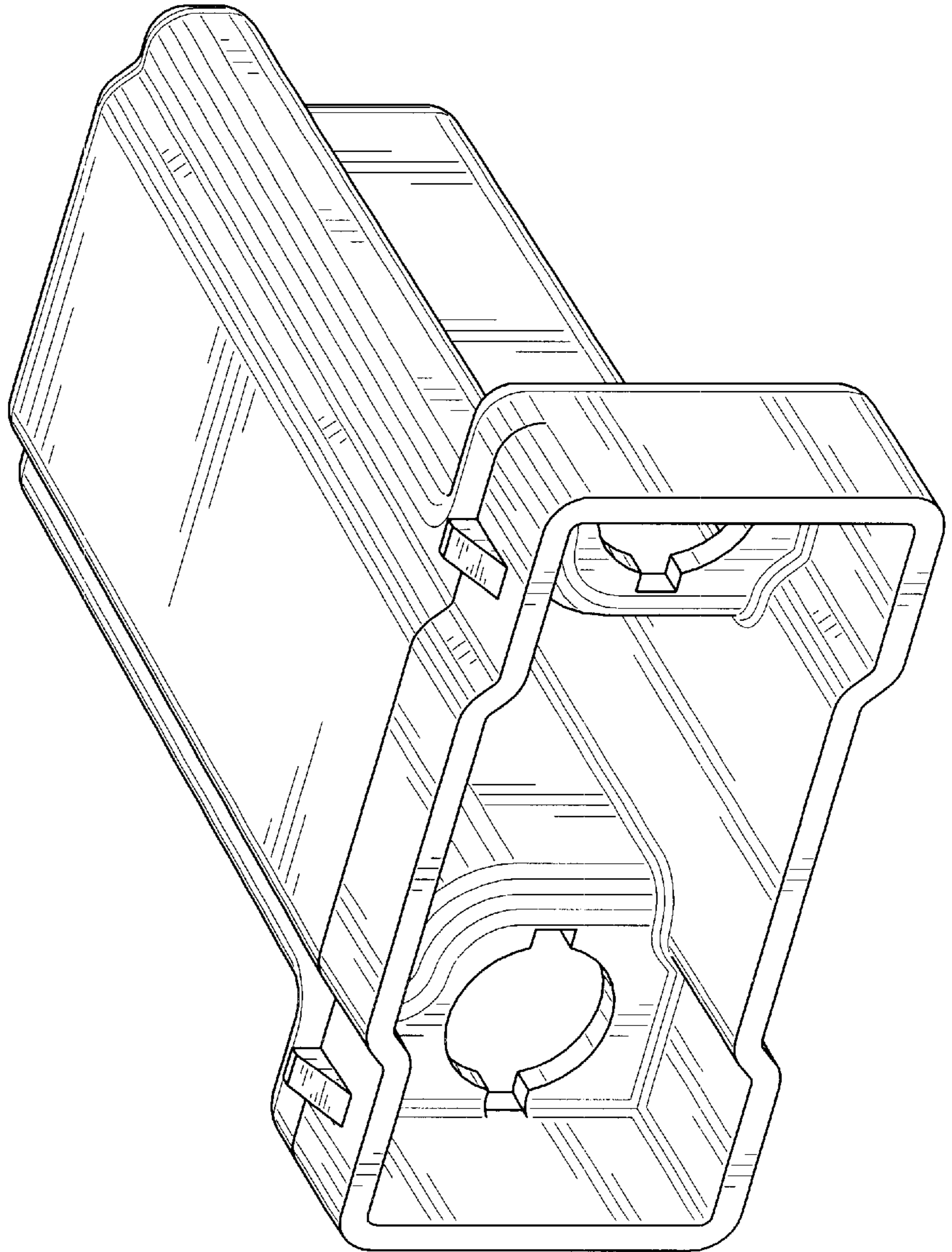


FIG. 1

FIG. 2

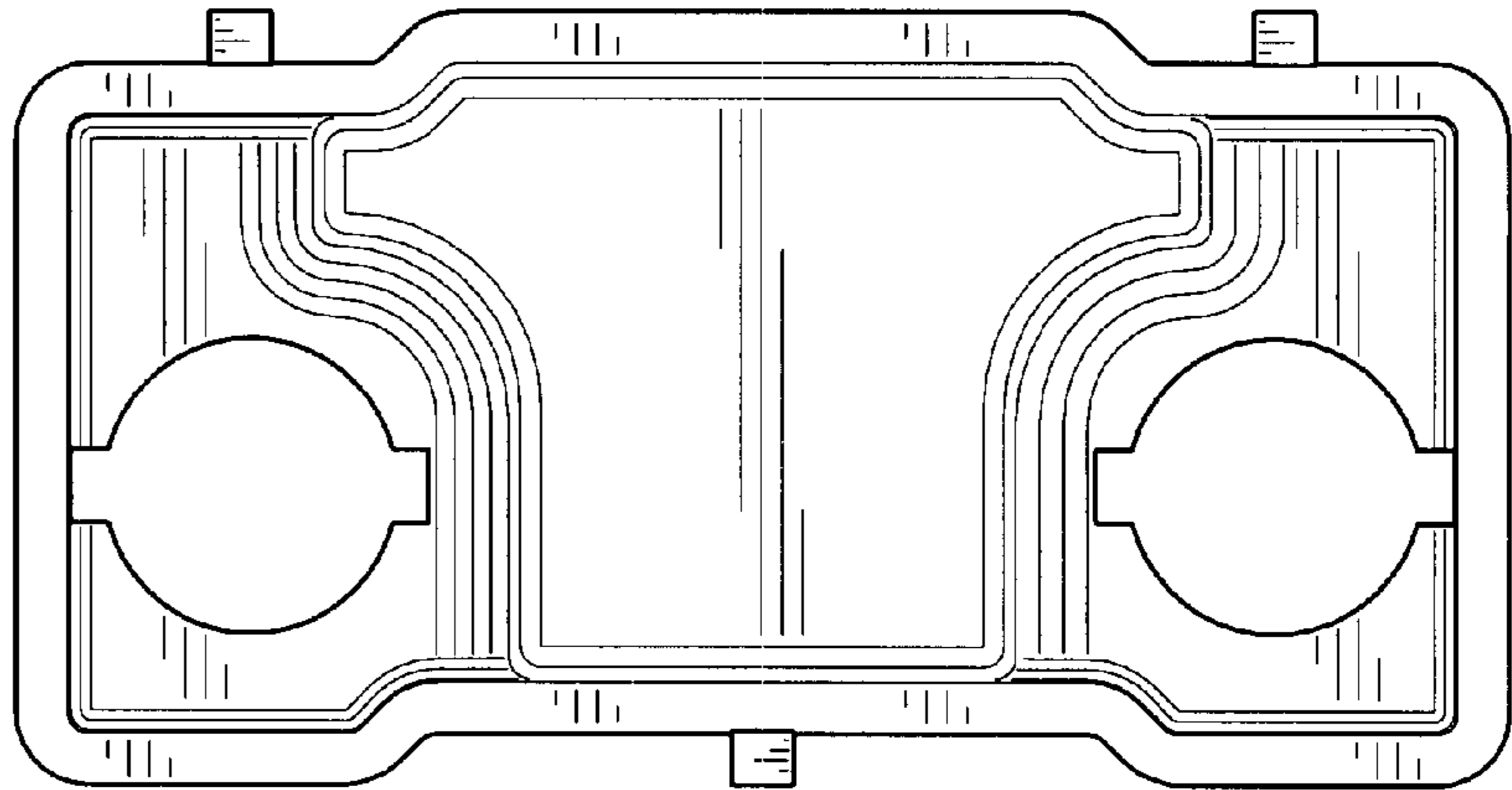


FIG. 3

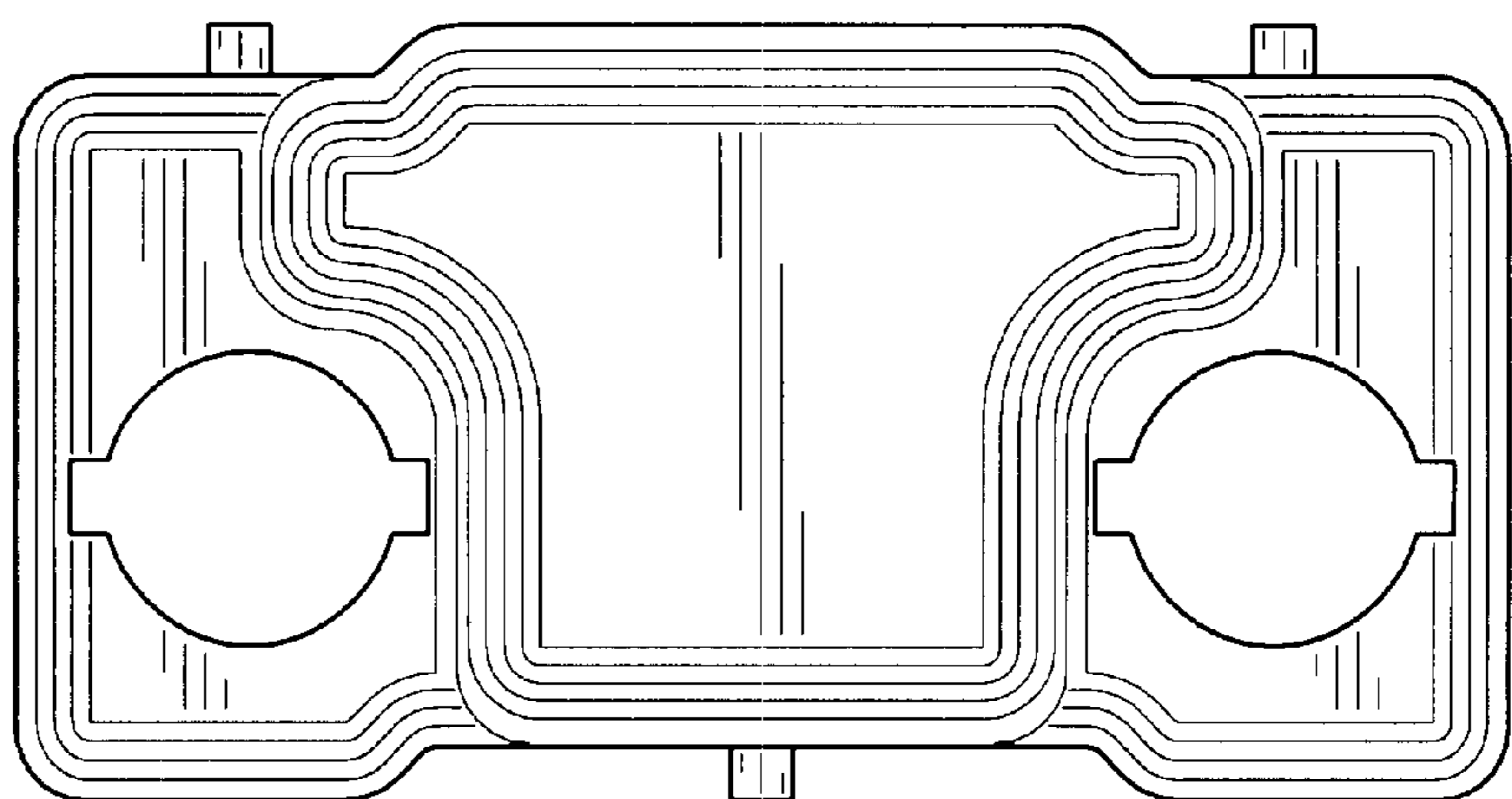


FIG. 4

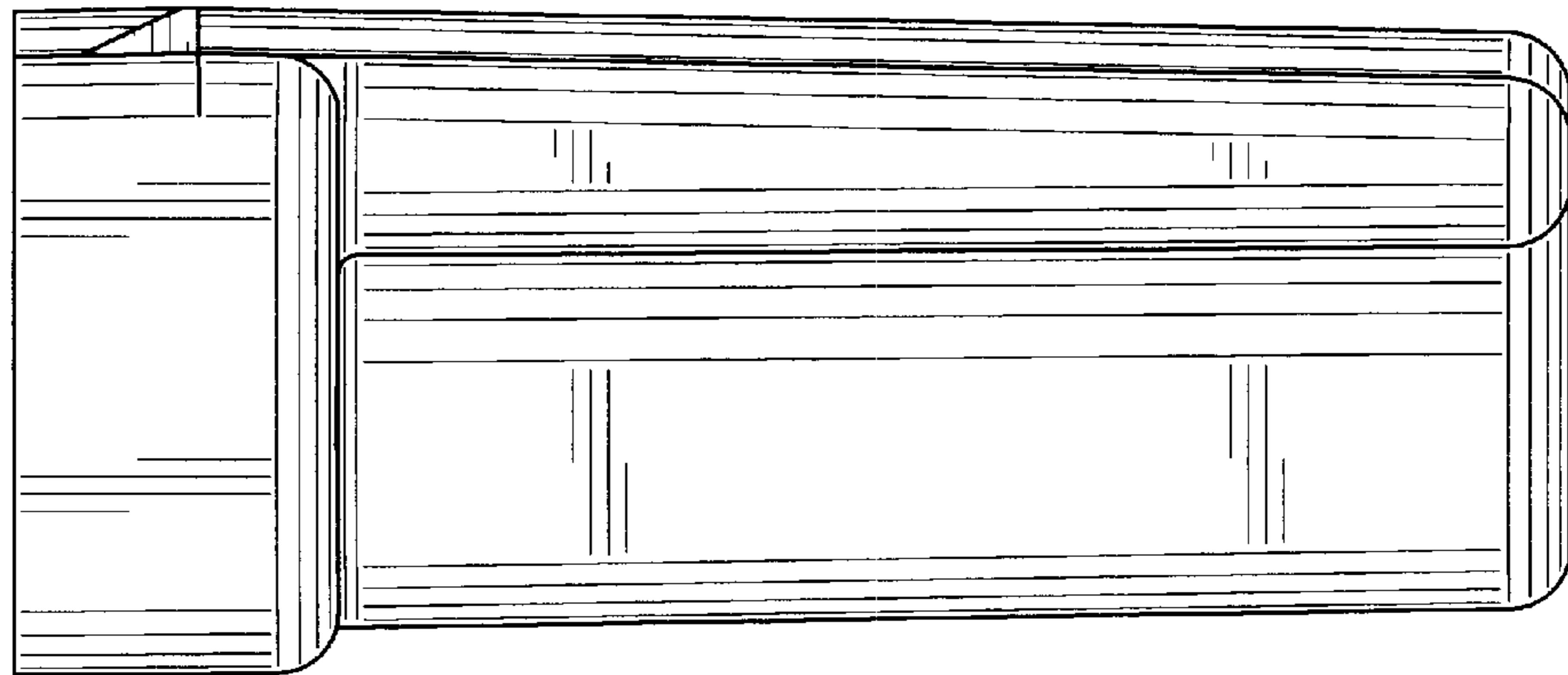


FIG. 5

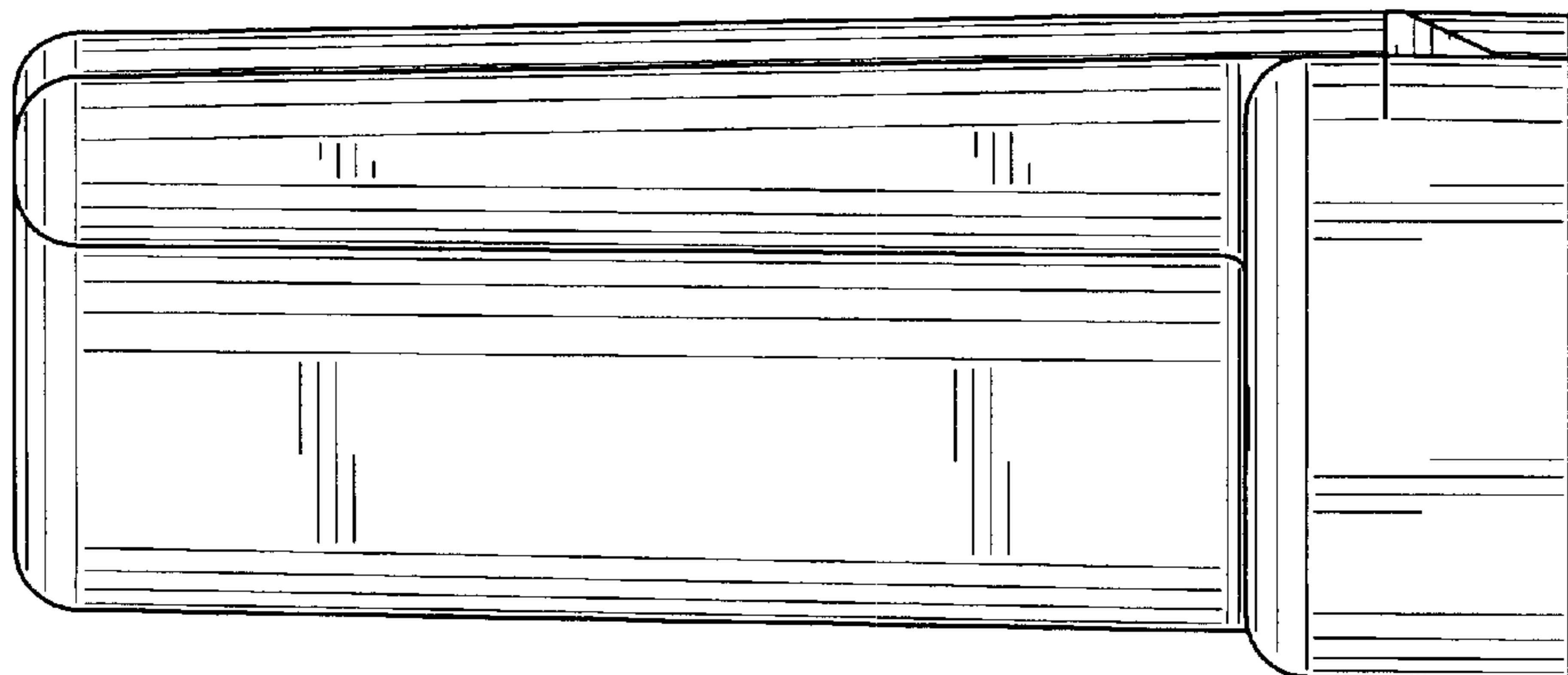


FIG. 6

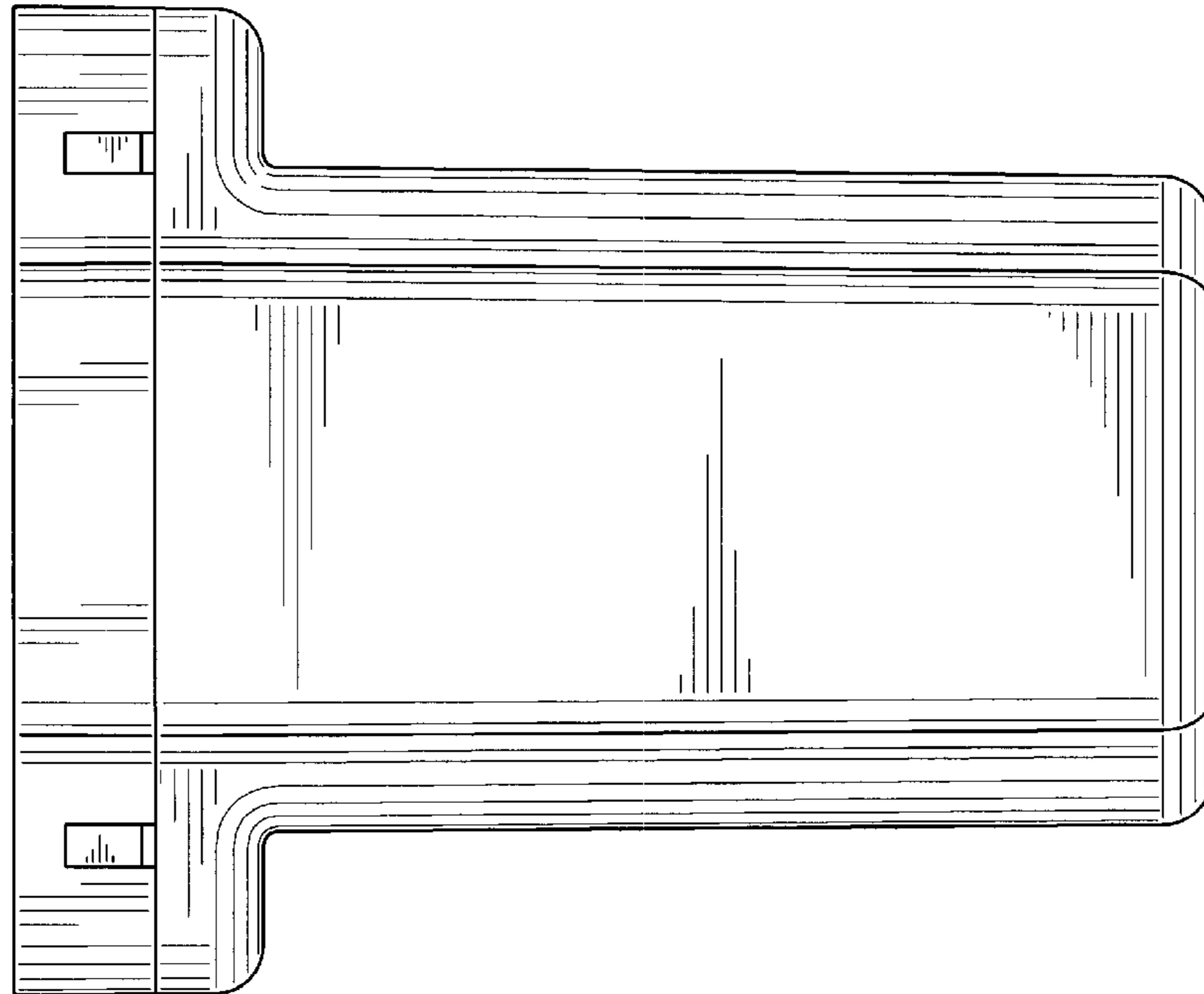


FIG. 7

