



US00D455121S

(12) **United States Design Patent**
Takeuchi et al.

(10) **Patent No.:** **US D455,121 S**

(45) **Date of Patent:** **** Apr. 2, 2002**

(54) **INVERTER**

(75) Inventors: **Masaru Takeuchi**, Kasugai; **Daniel Gheno**, Nagoya, both of (JP)

(73) Assignees: **Kabushiki Kaisha Toshiba**, Kawasaki (JP); **Schneider Electric Industries S.A.**, Boulogne Billancourt (FR)

(**) Term: **14 Years**

(21) Appl. No.: **29/147,874**

(22) Filed: **Sep. 10, 2001**

Related U.S. Application Data

(62) Division of application No. 29/111,501, filed on Sep. 24, 1999.

(51) **LOC (7) Cl.** **13-02**

(52) **U.S. Cl.** **D13/110**

(58) **Field of Search** D13/110, 123,
D13/162, 164; 307/150; 363/141; 361/600,
692, 715, 727, 728, 679

(56) **References Cited**

U.S. PATENT DOCUMENTS

D269,605 S * 7/1983 Provanzano et al. D13/162.1

D305,115 S * 12/1989 Kondo et al. D13/110
D343,382 S * 1/1994 Hagura et al. D13/110
D358,753 S * 5/1995 Yoshida et al. D13/123
D372,017 S * 7/1996 Suematsu et al. D13/110
D438,176 S * 2/2001 Cornu D13/162
6,239,986 B1 * 5/2001 Otsuka 361/728 X

* cited by examiner

Primary Examiner—Joel Sincavage

(74) *Attorney, Agent, or Firm*—Oblon, Spivak, McClelland, Maier & Neustadt, P.C.

(57) **CLAIM**

The ornamental design for an inverter, as shown and described.

DESCRIPTION

FIG. 1 is a front, top and right side perspective view of an inverter, showing our new design

FIG. 2 is a top plan view thereof;

FIG. 3 is a front elevational view thereof;

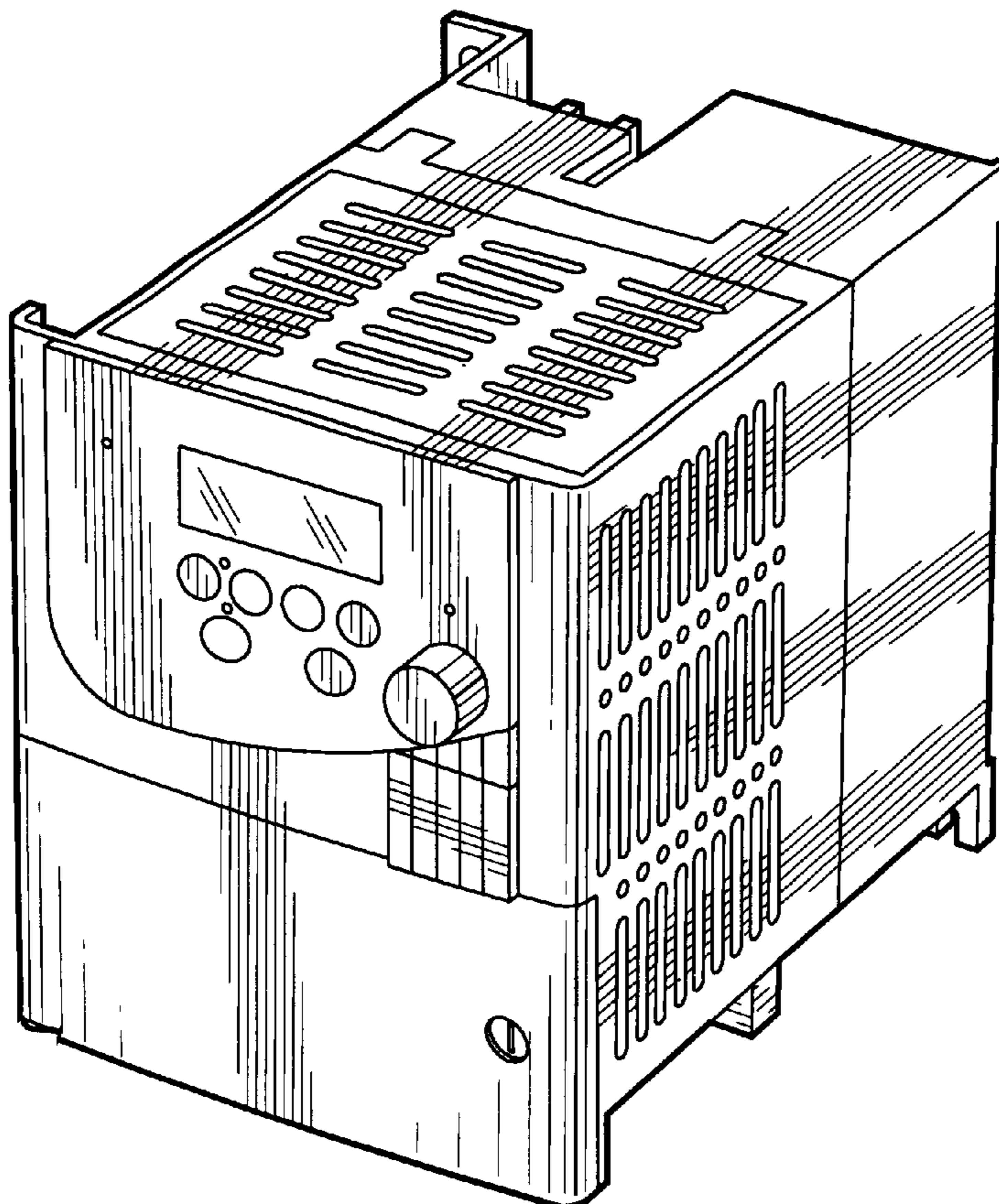
FIG. 4 is a right side elevational view thereof;

FIG. 5 is a rear elevational view thereof;

FIG. 6 is a left side elevational view thereof; and,

FIG. 7 is a bottom plan view thereof.

1 Claim, 4 Drawing Sheets



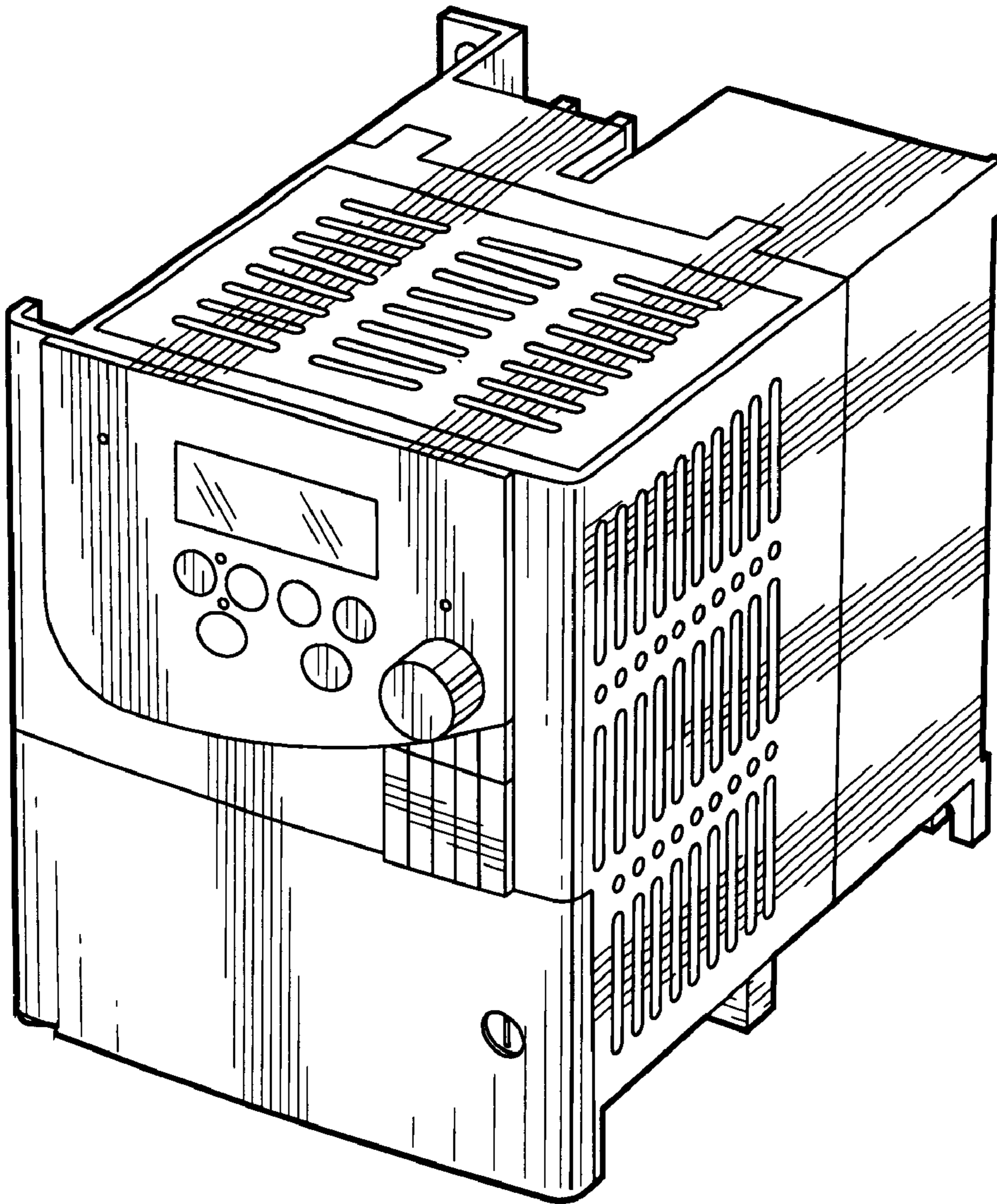


FIG. 1

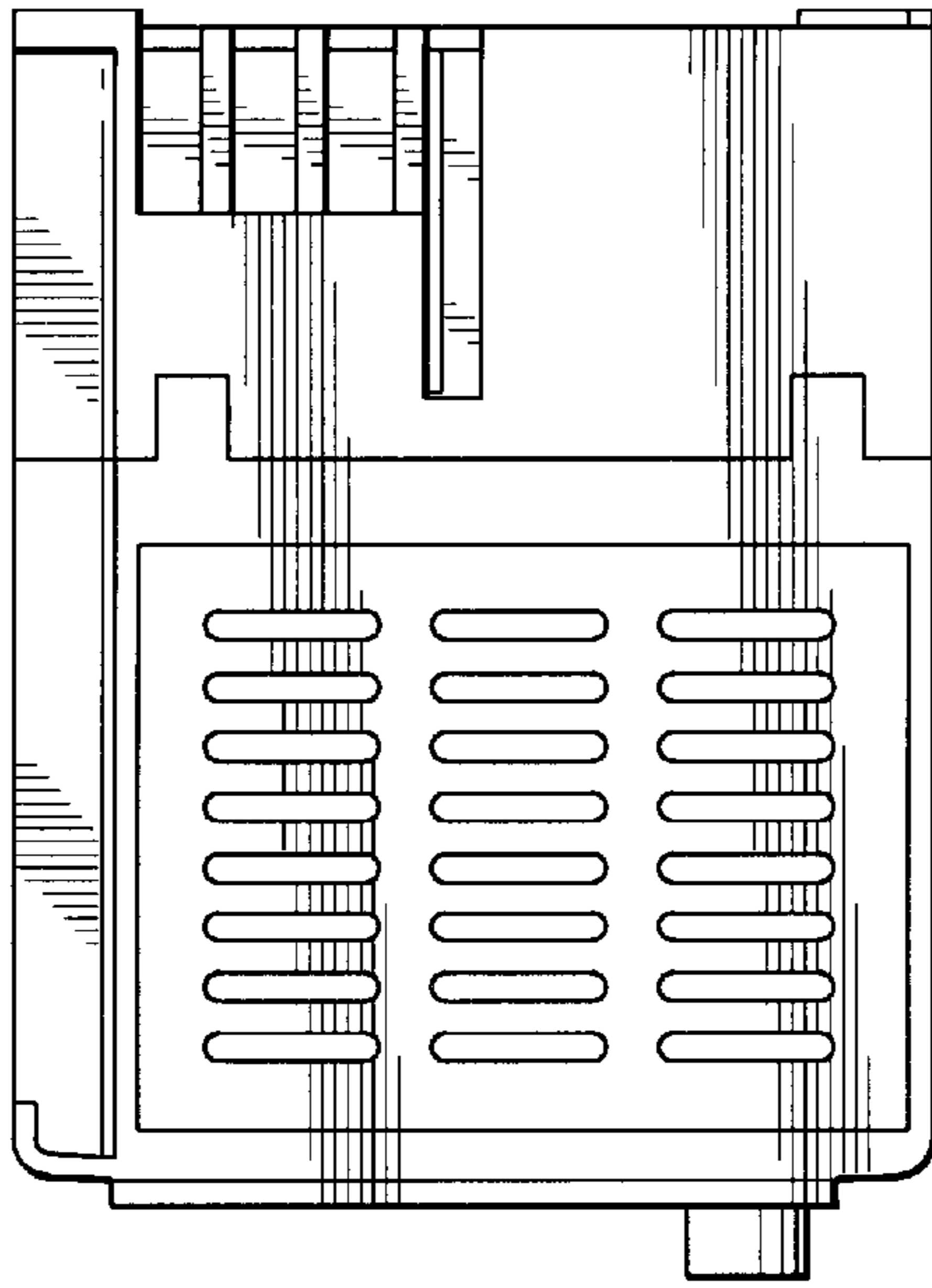


FIG. 2

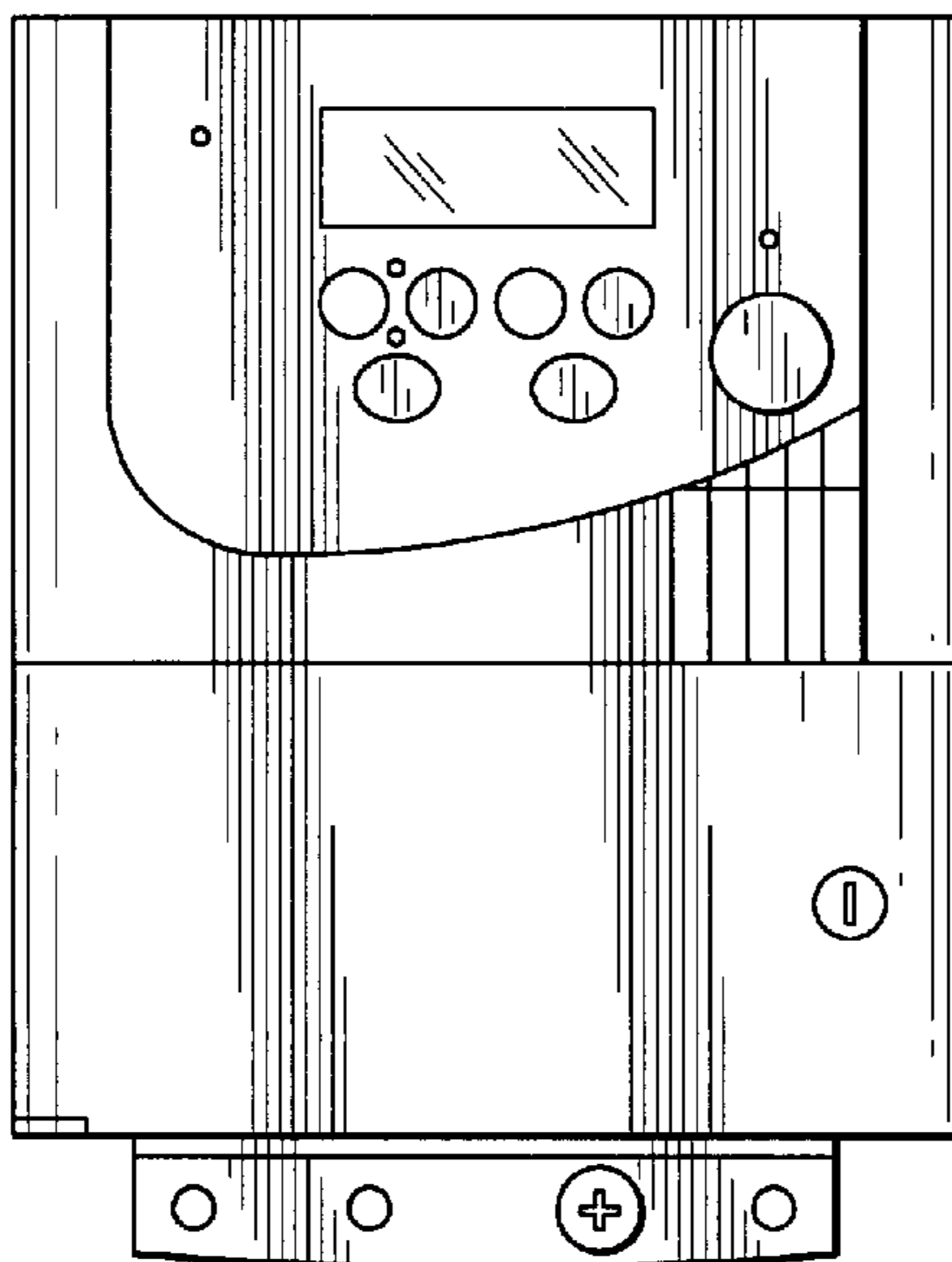


FIG. 3

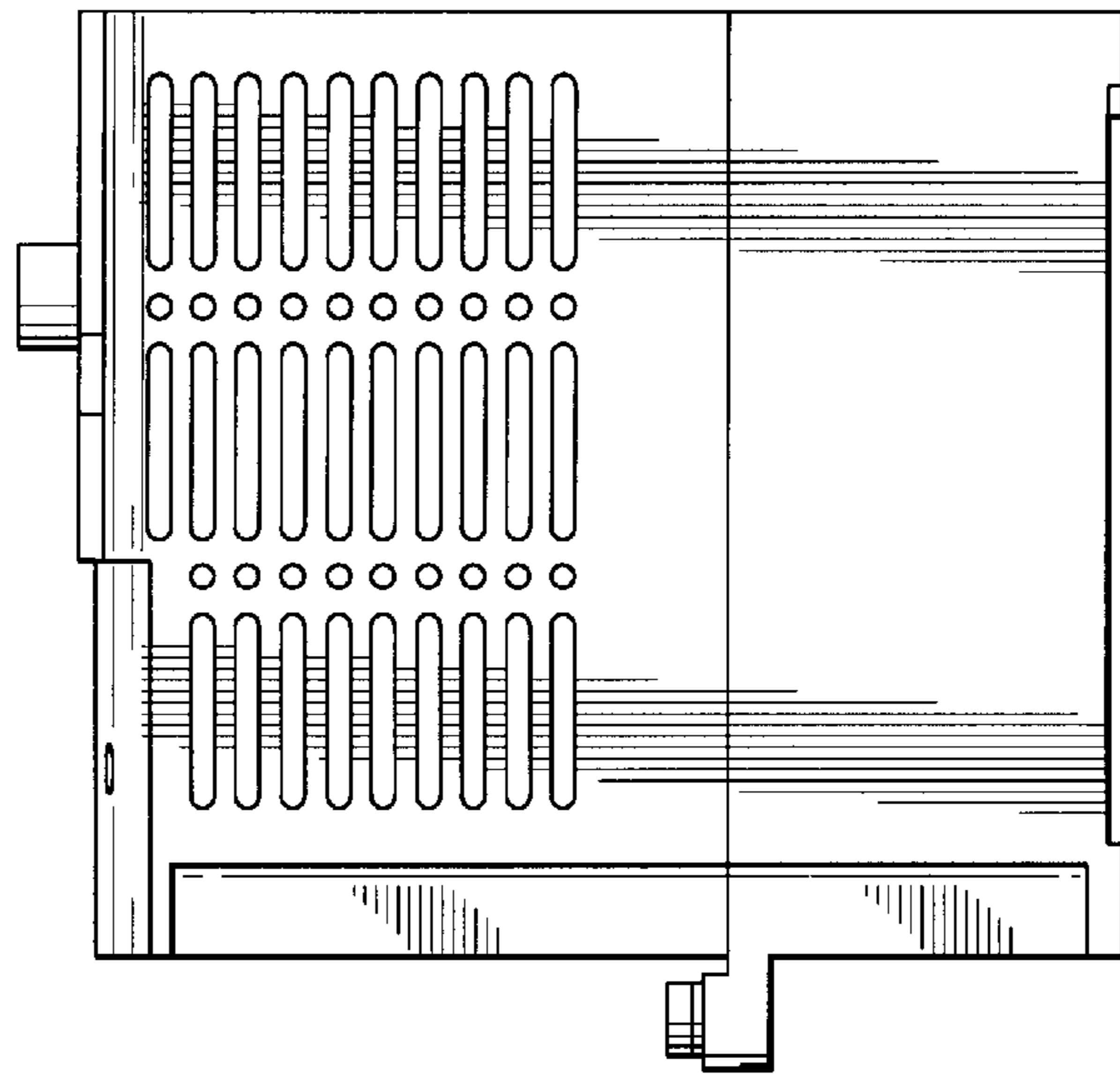


FIG. 4

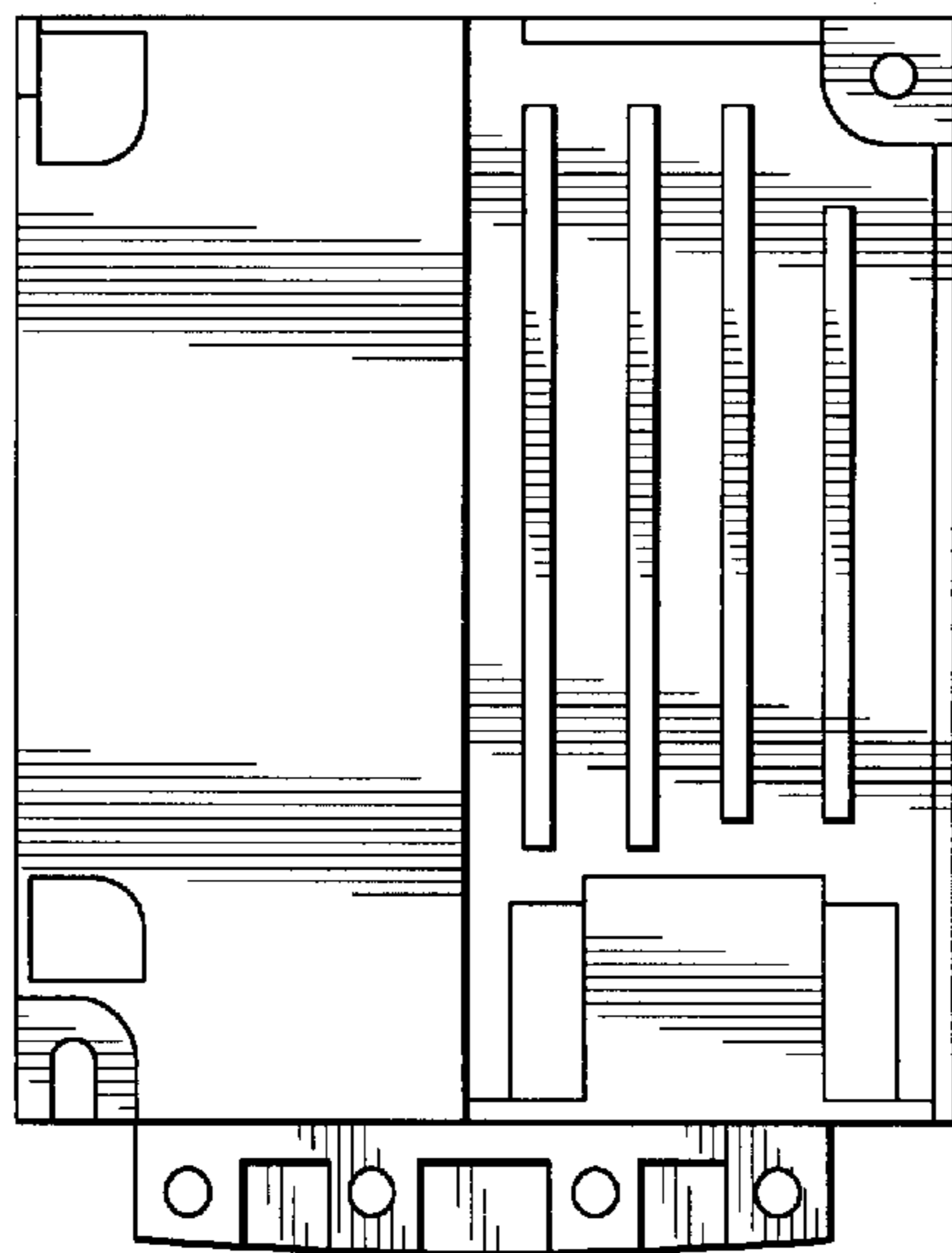


FIG. 5

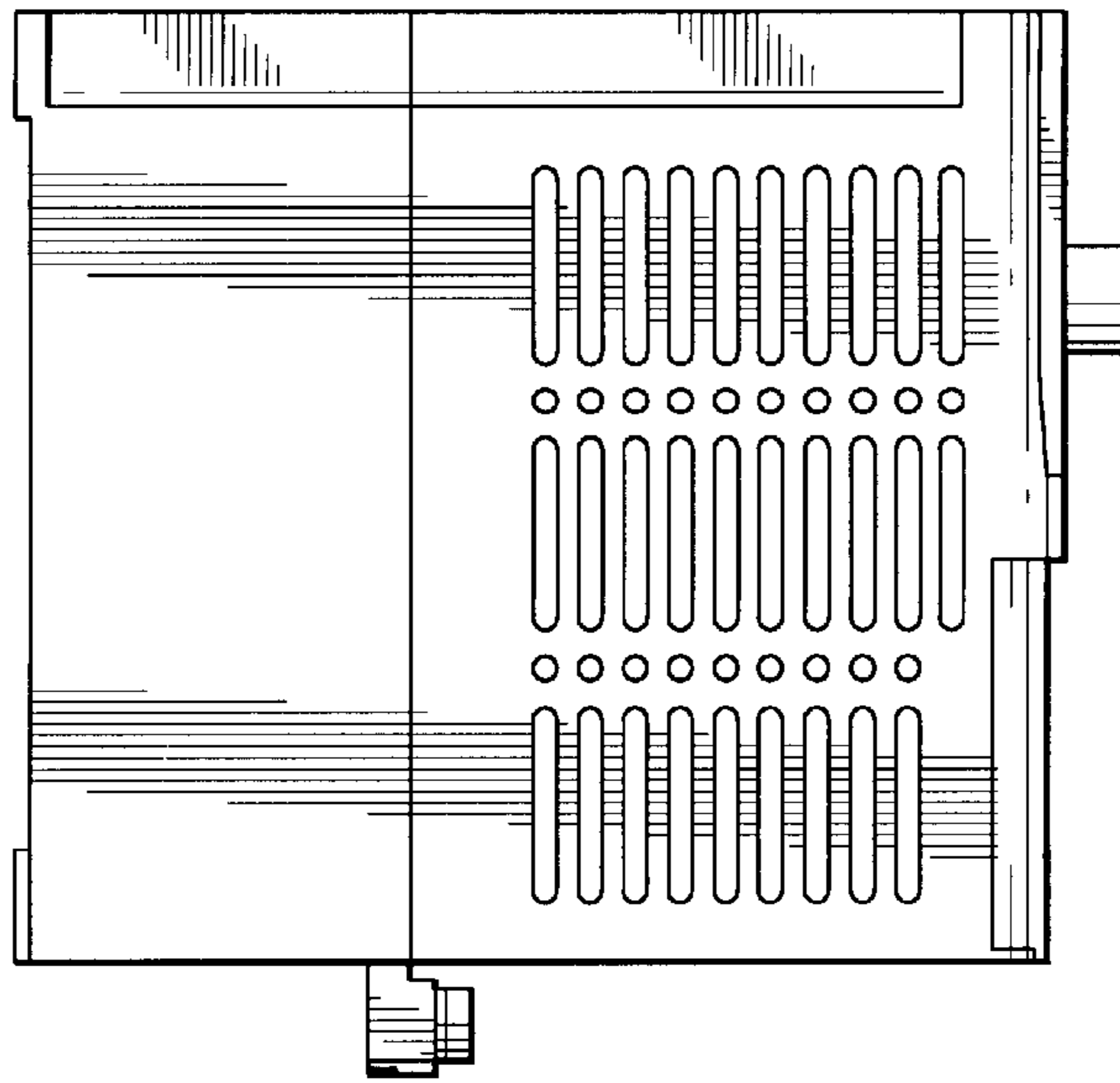


FIG. 6

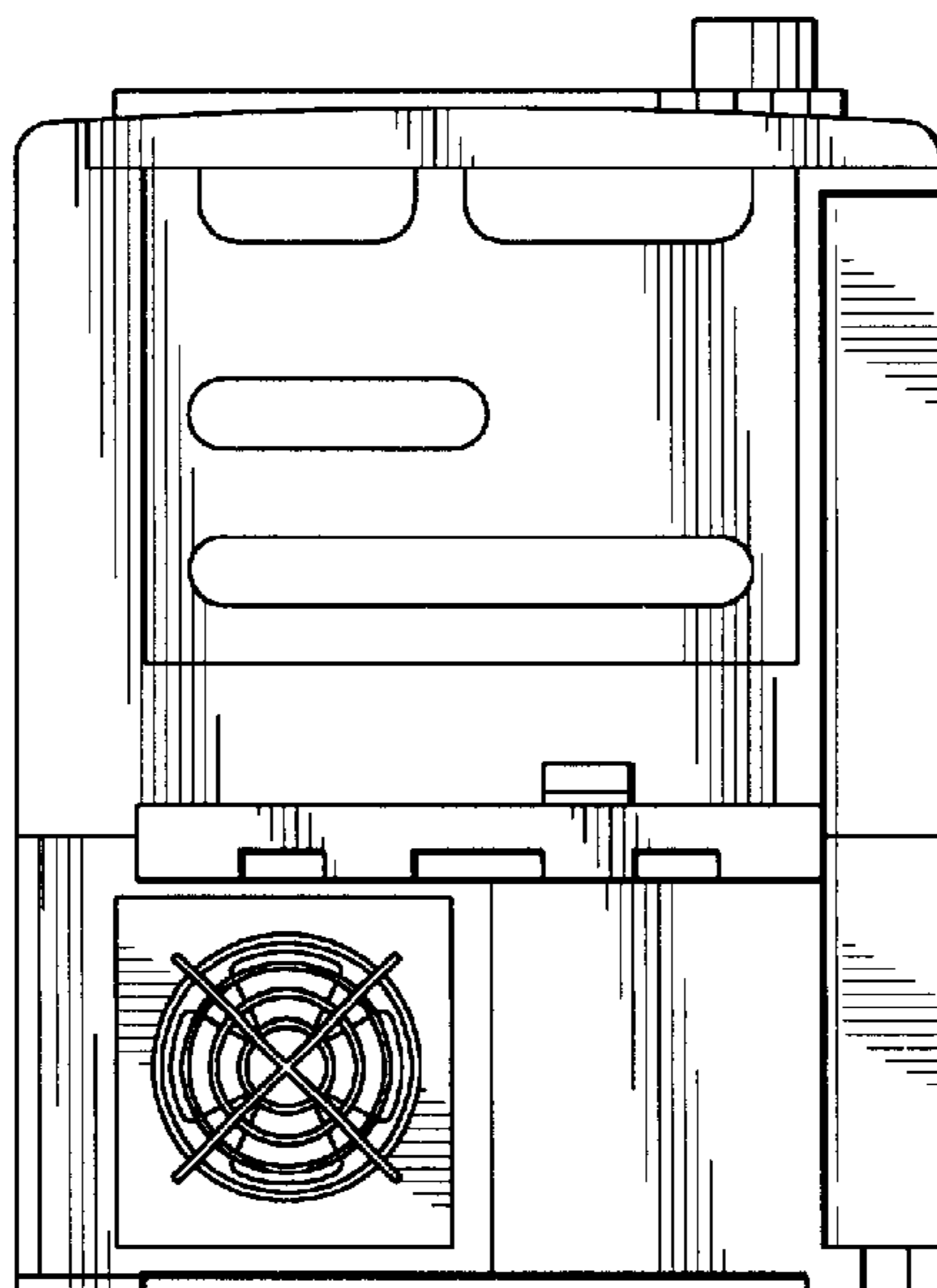


FIG. 7