



US00D455120S

(12) **United States Design Patent** (10) **Patent No.:** **US D455,120 S**
Dixon et al. (45) **Date of Patent:** **** Apr. 2, 2002**

(54) **TIRE TREAD**

OTHER PUBLICATIONS

(75) Inventors: **Max Harold Dixon**, Bedford, PA (US);
Robert John Hermann, Cuyahoga Falls; **Paul Keyser Blackiston, III**, Massillon, both of OH (US)

(73) Assignee: **The Goodyear Tire & Rubber Company**, Akron, OH (US)

(**) Term: **14 Years**

(21) Appl. No.: **29/143,235**

(22) Filed: **Jun. 8, 2001**

(51) **LOC (7) Cl.** **12-15**

(52) **U.S. Cl.** **D12/598; D12/900**

(58) **Field of Search** D12/580, 586,
D12/587, 590, 592, 593, 594, 595, 596,
597, 598, 600, 601, 602, 603; 152/209.1,
209.9, 209.13, 209.18, 209.19, 209.27

(56) **References Cited**

U.S. PATENT DOCUMENTS

4,515,197 A	5/1985	Motomura et al.	152/209 R
4,945,966 A	8/1990	Ogawa	152/209 R
D355,151 S	2/1995	Hagmaier	D12/146
5,417,269 A	5/1995	Kinoshita et al.	152/209 R
D380,995 S	* 7/1997	Grosskopf	D12/588
D384,612 S	* 10/1997	Young et al.	D12/597
D385,235 S	* 10/1997	Young	D12/588
D388,370 S	12/1997	Young et al.	D12/146
D389,107 S	1/1998	Young	D12/147
D390,510 S	* 2/1998	Stone et al.	D12/588
D397,647 S	9/1998	Young	D12/146
5,909,756 A	6/1999	Miyazaki	152/209 R
D416,837 S	* 11/1999	Moore	D12/600
6,102,092 A	8/2000	Radulescu	152/109.19
6,102,093 A	8/2000	Nakagawa	152/209.2
6,116,309 A	9/2000	Gillard et al.	152/209.14

GT Tire USA GTR 378 Tire, 2000 Tread Design Guide, Jan. 2000, p. 36. 2/5.*
Kumho Victoracer Tire, 2000 Tread Design Guide, Jan. 2000, p. 41. 2/4.*
Michelin XRV Tire, 2000 Tread Design Guide, Jan. 2000, p. 103. 1/1.*
Federal Maha Steel 271 Tire, 2000 Tread Design Gide, Jan. 2000, p. 129. 1/5.*
Sigma Power King Radial Trailer R11 Tire, 2000 Tread Design Guide, Jan. 2000, p. 150. 1/1.*
Sumitomo ST727 Tire, 2000 Tread Design Guide, Jan. 2000, p. 151. 4/1.*
Michelin XRV Tire, Michelin Commercial Light Truck Tire and Truck Tire Data Book, p. 24.*

* cited by examiner

Primary Examiner—Robert M. Spear

(74) *Attorney, Agent, or Firm*—David L. King

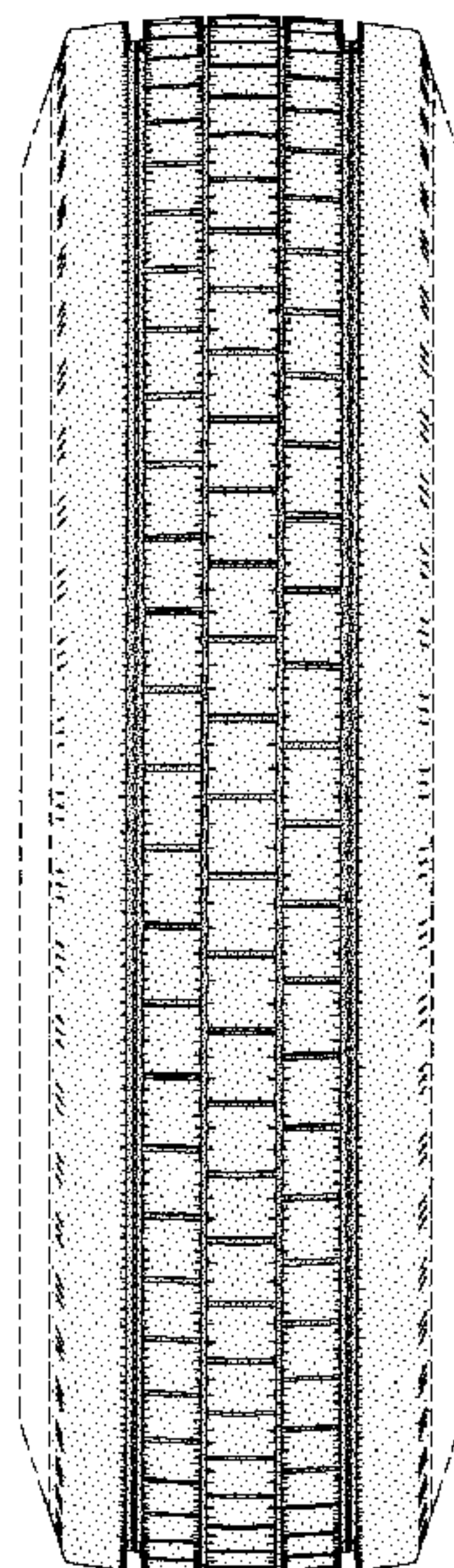
(57) **CLAIM**

The ornamental design for a tire tread, as shown and described.

DESCRIPTION

FIG. 1 is a perspective view of a tire tread showing our new design, it being understood that the pattern repeats uniformly throughout the circumference of the tread;
FIG. 2 is a front elevational view thereof;
FIG. 3 is a side elevational view thereof, the opposite side elevational view being identical thereto; and,
FIG. 4 is an enlarged fragmentary perspective view.
In the drawings, the broken lines defining the inner bead and sidewall and the peripheral boundary between the tire tread and the sidewall are for illustrative purposes only and form no part of the claimed design.

1 Claim, 4 Drawing Sheets



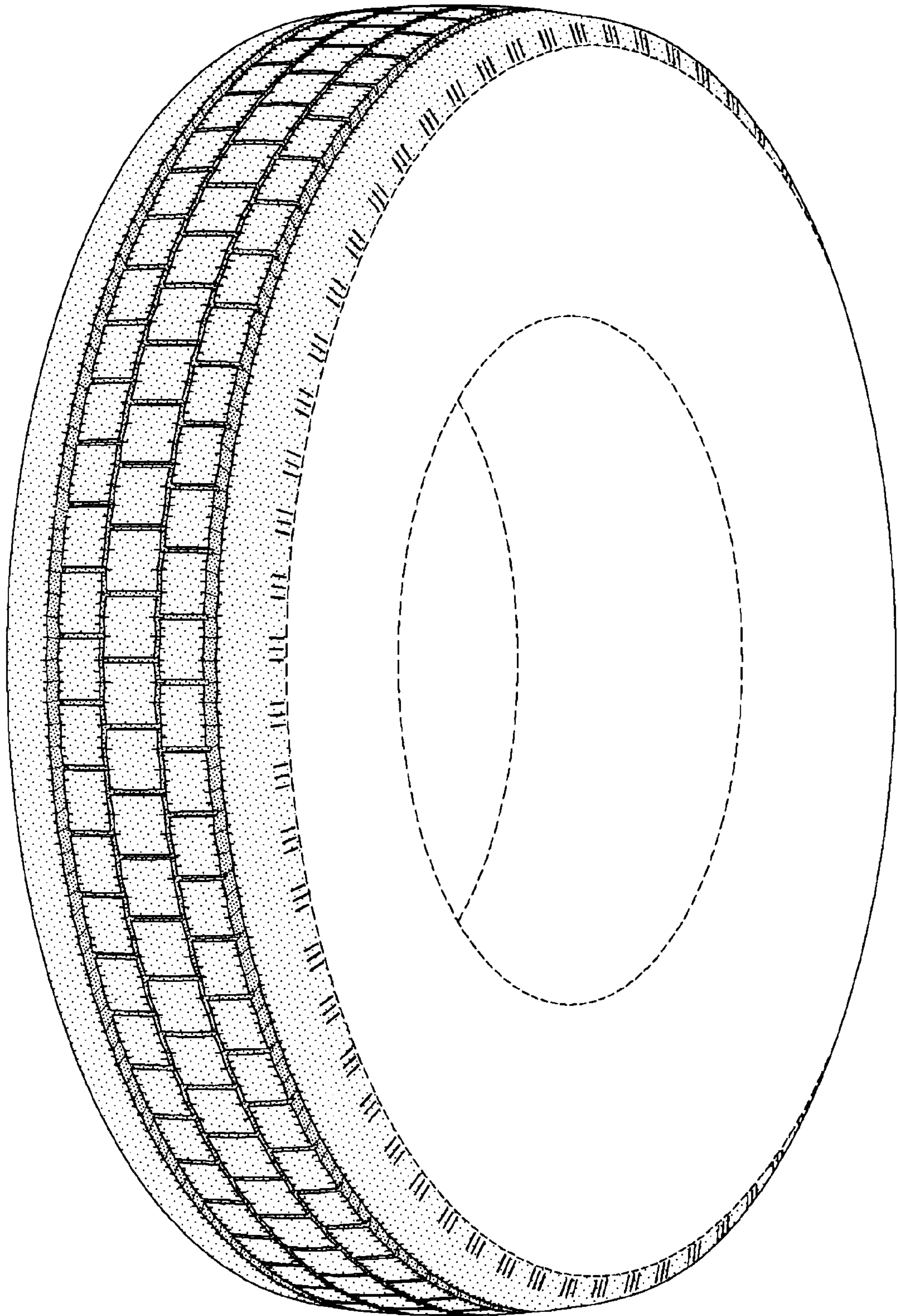


FIG-1

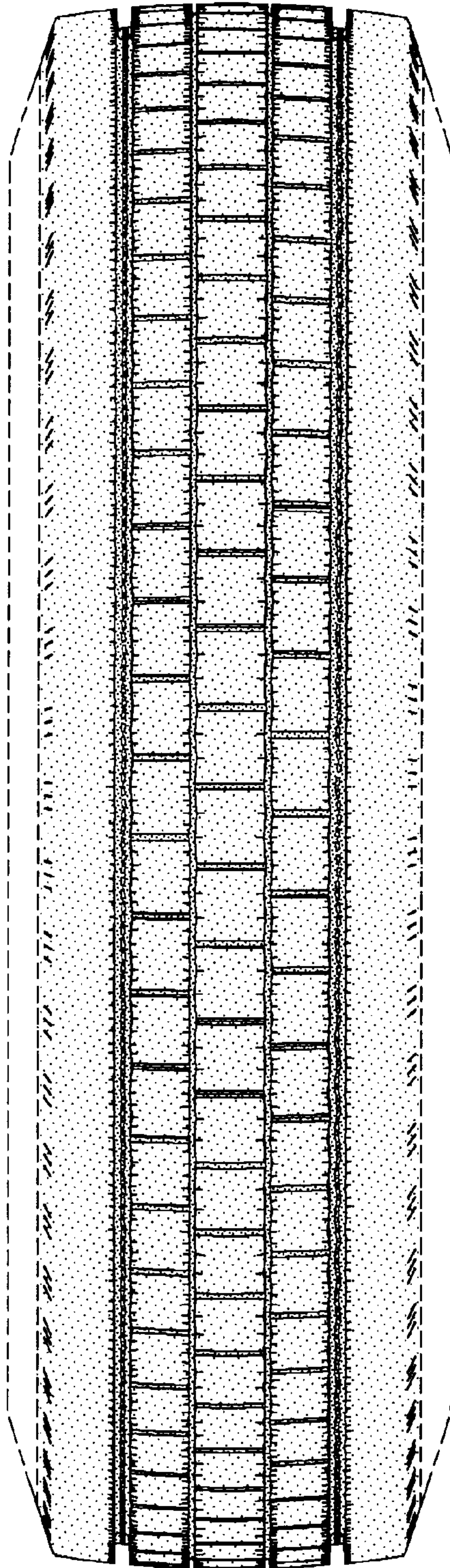


FIG-2

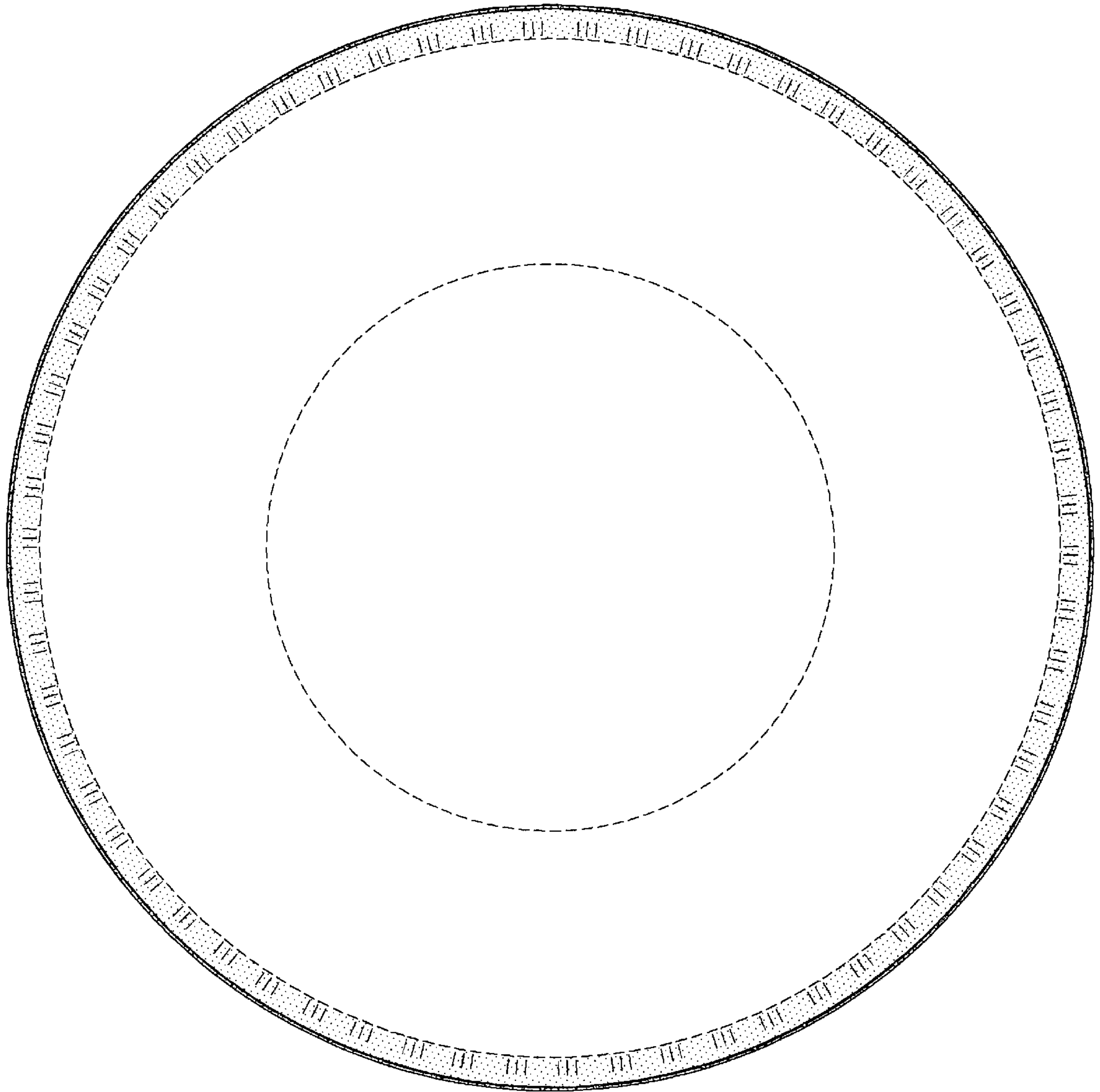


FIG-3

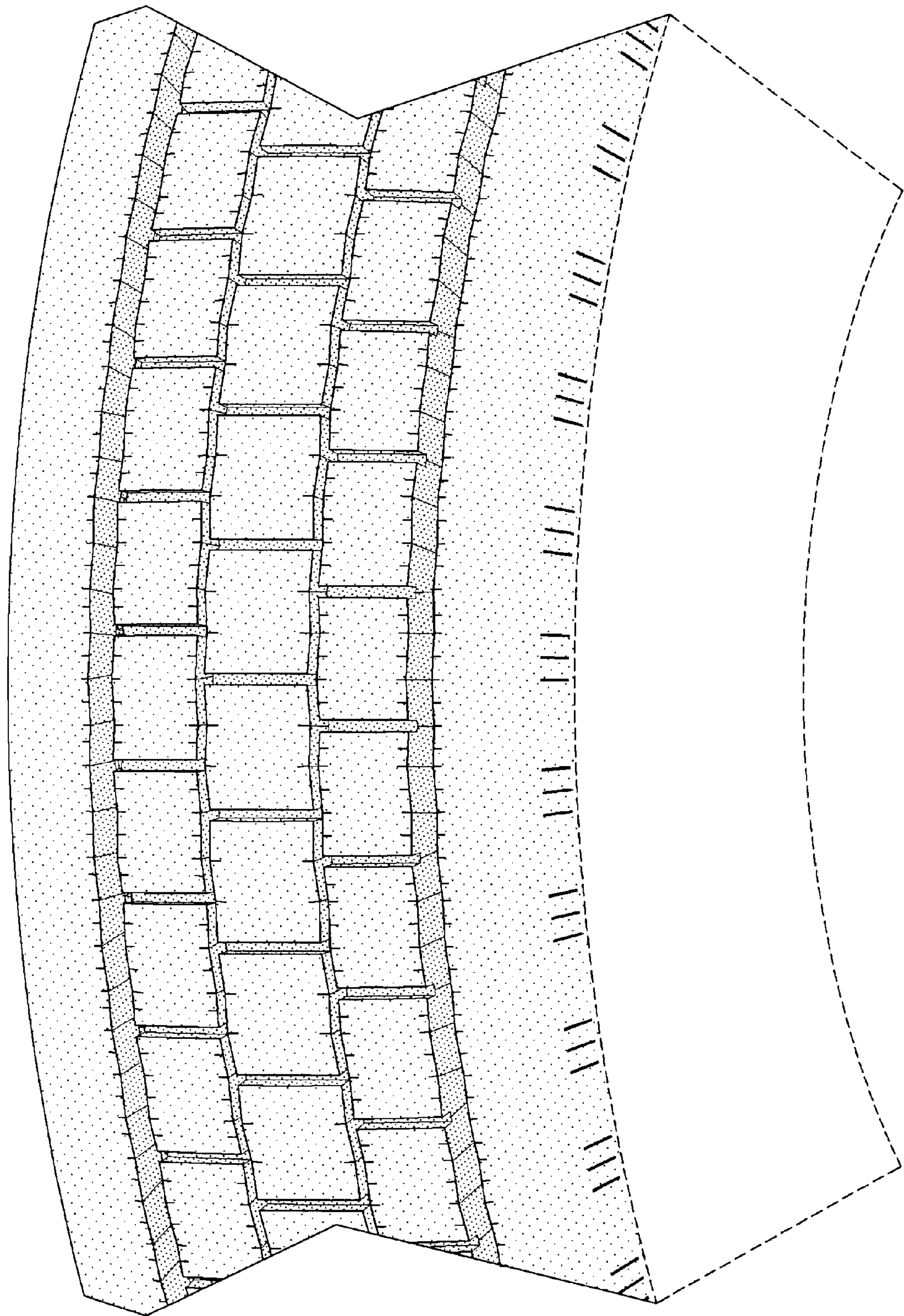


FIG-4