



US00D455114S

(12) **United States Design Patent**  
**Carter**

(10) **Patent No.:** **US D455,114 S**

(45) **Date of Patent:** **\*\* Apr. 2, 2002**

(54) **HELICOPTER DOLLY**

(76) **Inventor:** **Reagan Tye Carter**, 10588 Keith Rd.,  
Beaumont, TX (US) 77713

(\*\*) **Term:** **14 Years**

(21) **Appl. No.:** **29/131,810**

(22) **Filed:** **Oct. 26, 2000**

(51) **LOC (7) Cl.** ..... **12-07**

(52) **U.S. Cl.** ..... **D12/345**

(58) **Field of Search** ..... D12/345; 239/171,  
239/681, 684, 687, 688; 244/136

(56) **References Cited**

**U.S. PATENT DOCUMENTS**

4,223,856 A	9/1980	DiVencenzo	
4,488,612 A	12/1984	Patterson	
4,516,744 A	5/1985	Burnside	
4,892,255 A	* 1/1990	Waldrum	..... D12/345
5,056,981 A	10/1991	Knowles	
5,135,346 A	8/1992	Roach	

5,248,115 A 9/1993 Aurelio

5,655,733 A 8/1997 Roach

5,664,743 A 9/1997 Ortelli

5,806,795 A 9/1998 Ortelli

\* cited by examiner

*Primary Examiner*—Marcus A. Jackson

(74) *Attorney, Agent, or Firm*—Browning Bushman

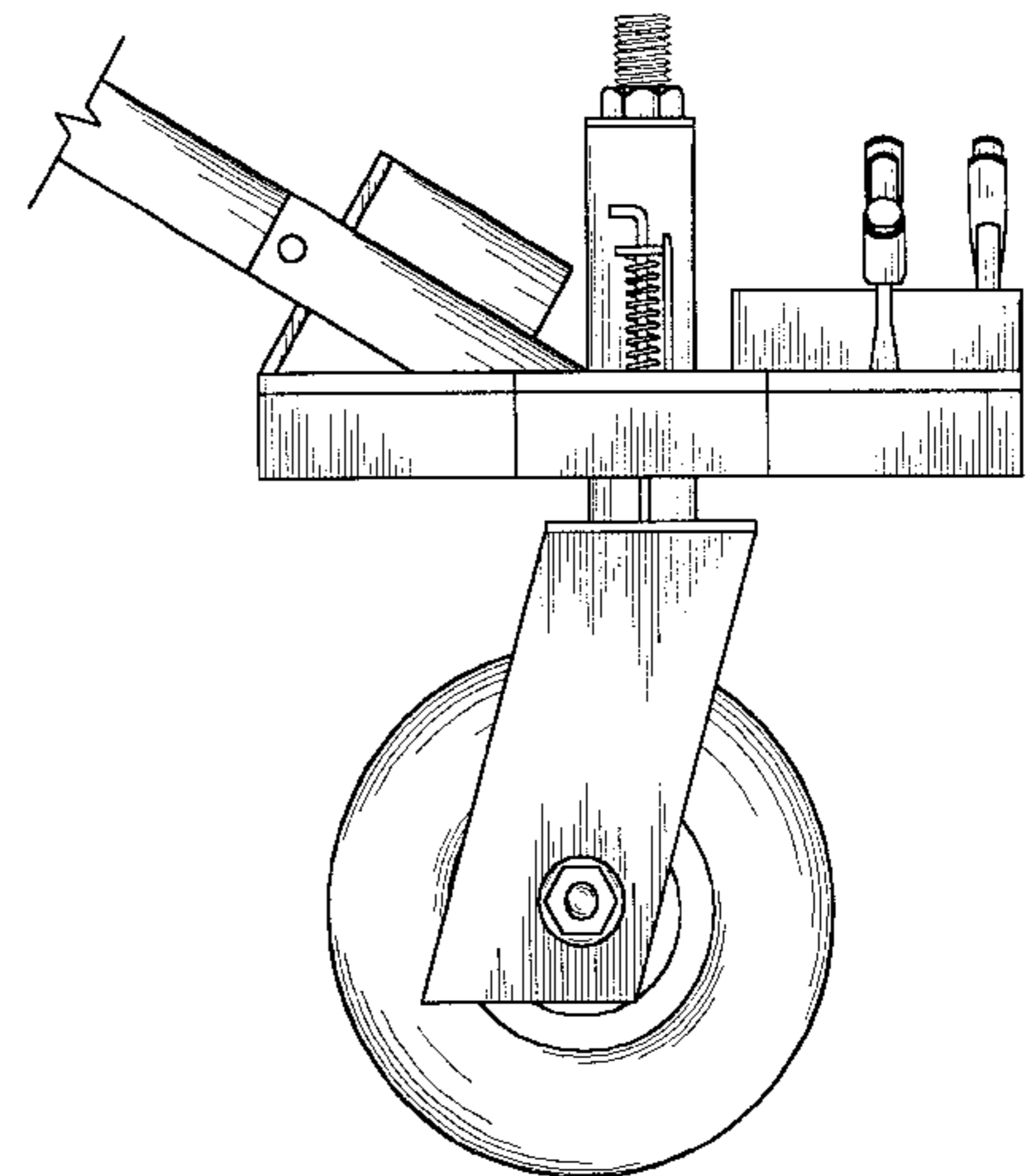
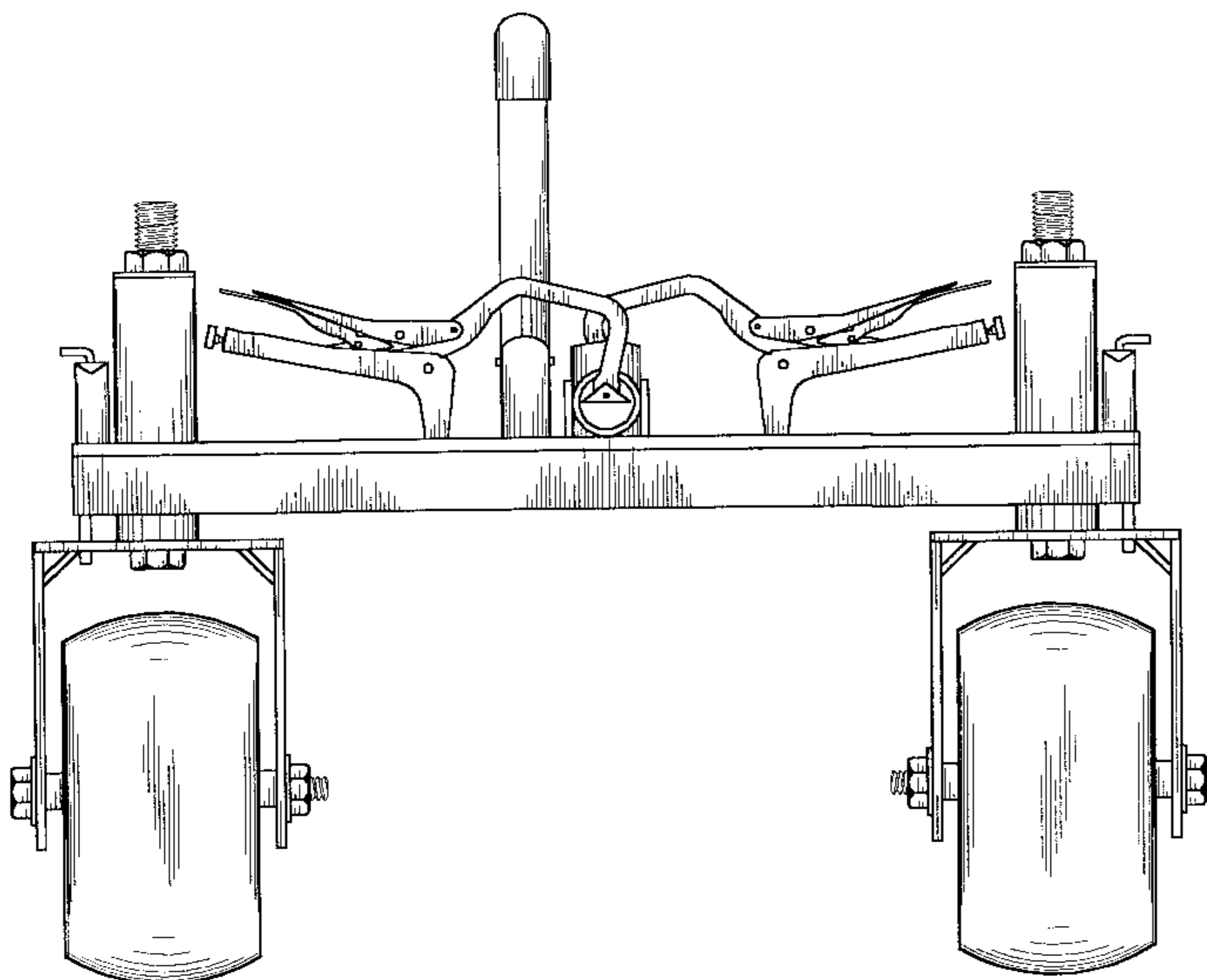
(57) **CLAIM**

The ornamental design for a helicopter dolly, as shown and described.

**DESCRIPTION**

FIG. 1 is a front pictorial view of the dolly thereof;  
FIG. 2 is a back view of the dolly thereof;  
FIG. 3 is a left side view of the dolly thereof;  
FIG. 4 is a right side view of the dolly thereof;  
FIG. 5 is a top view of the dolly thereof; and,  
FIG. 6 is a bottom view of the dolly according to the present invention.

**1 Claim, 6 Drawing Sheets**



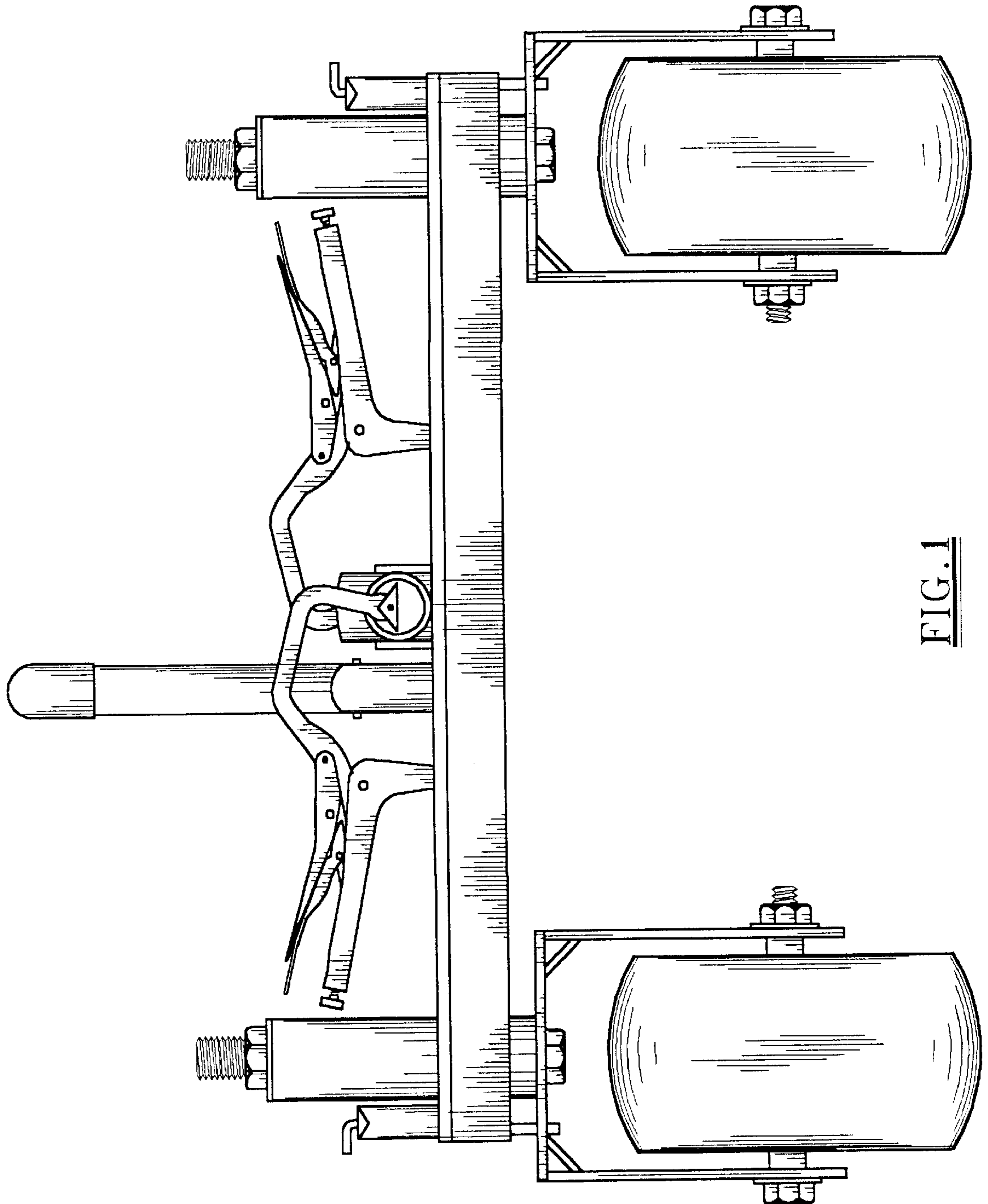


FIG. 1

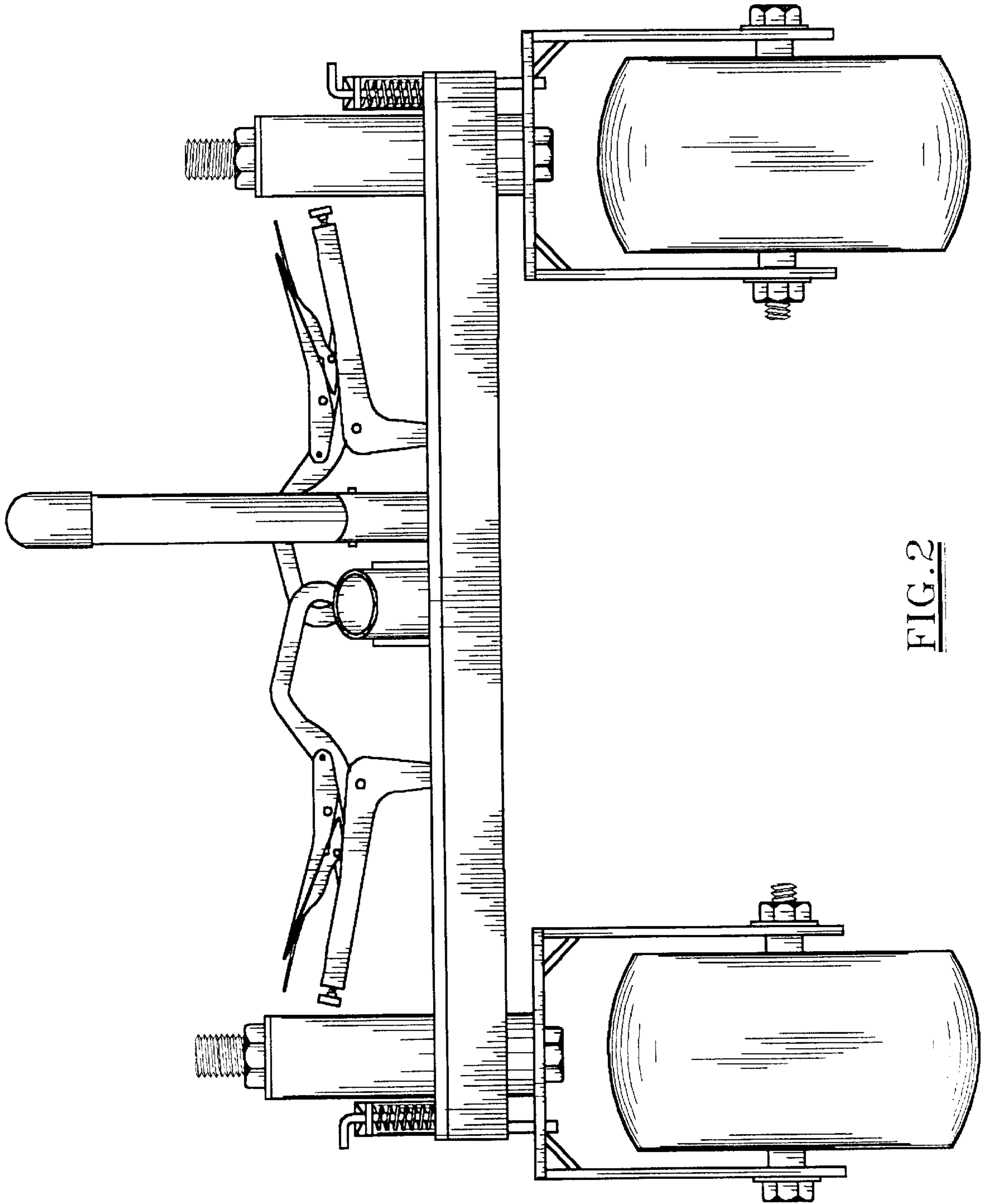


FIG. 2

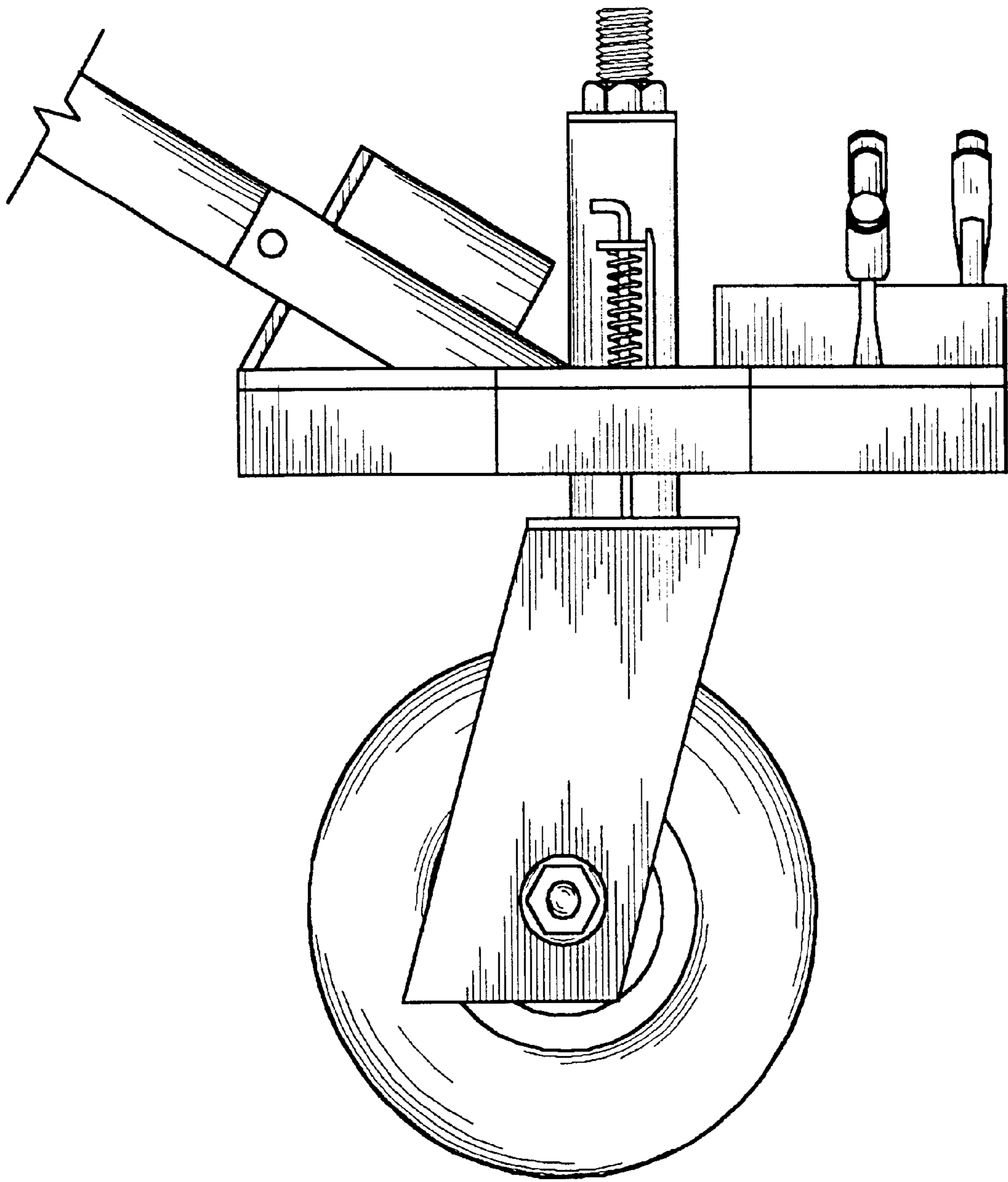


FIG. 3

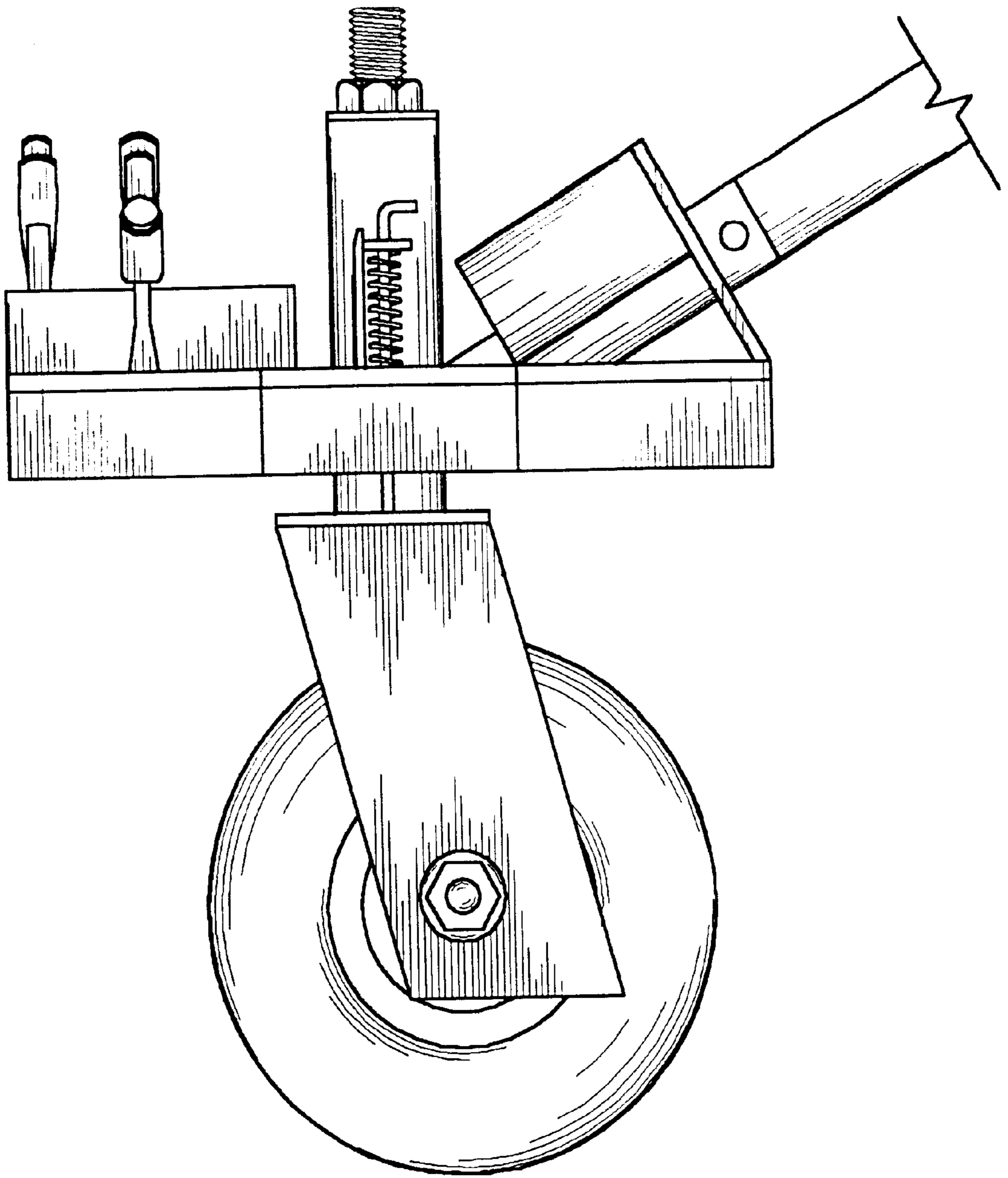


FIG. 4

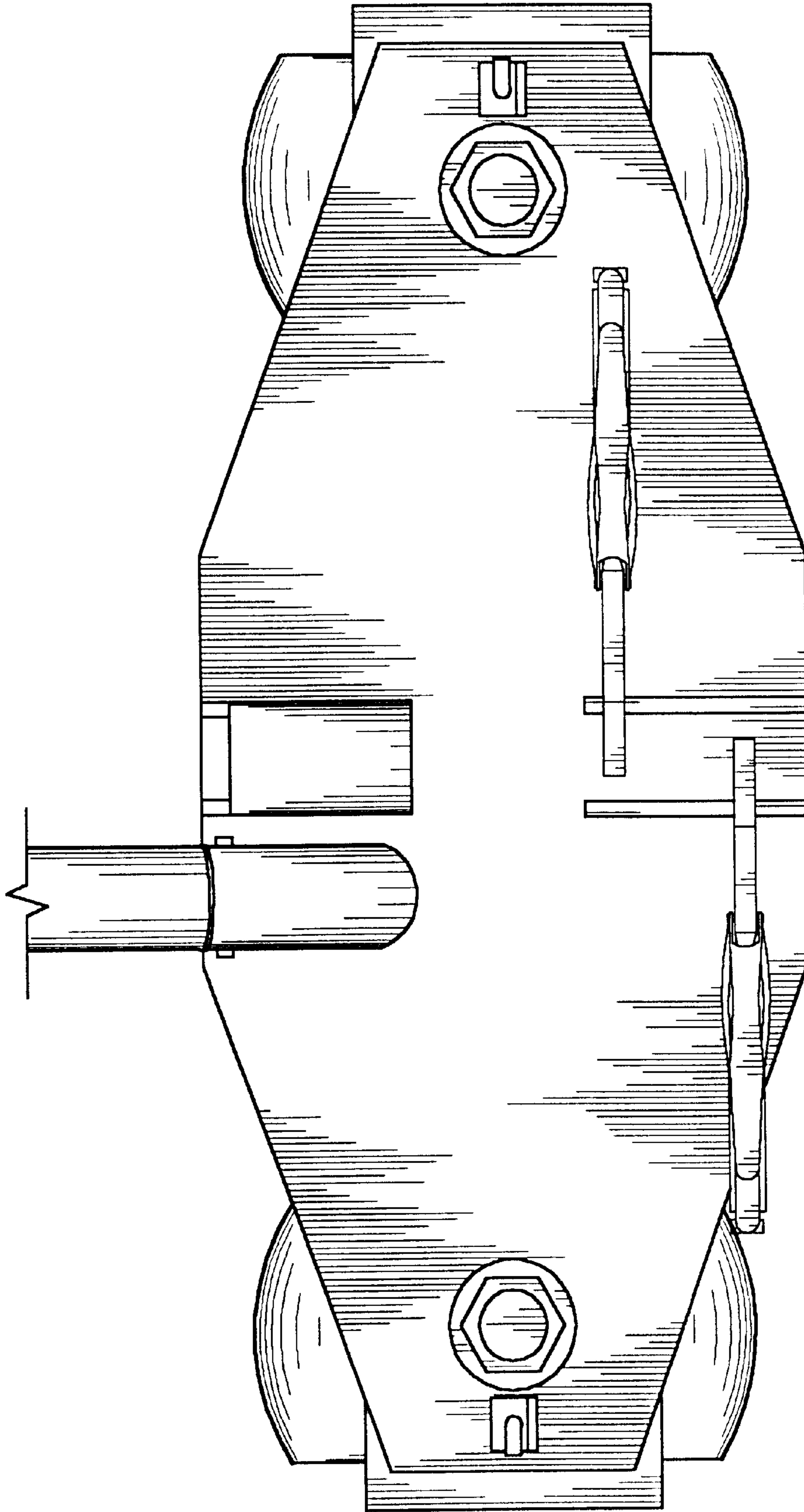


FIG. 5

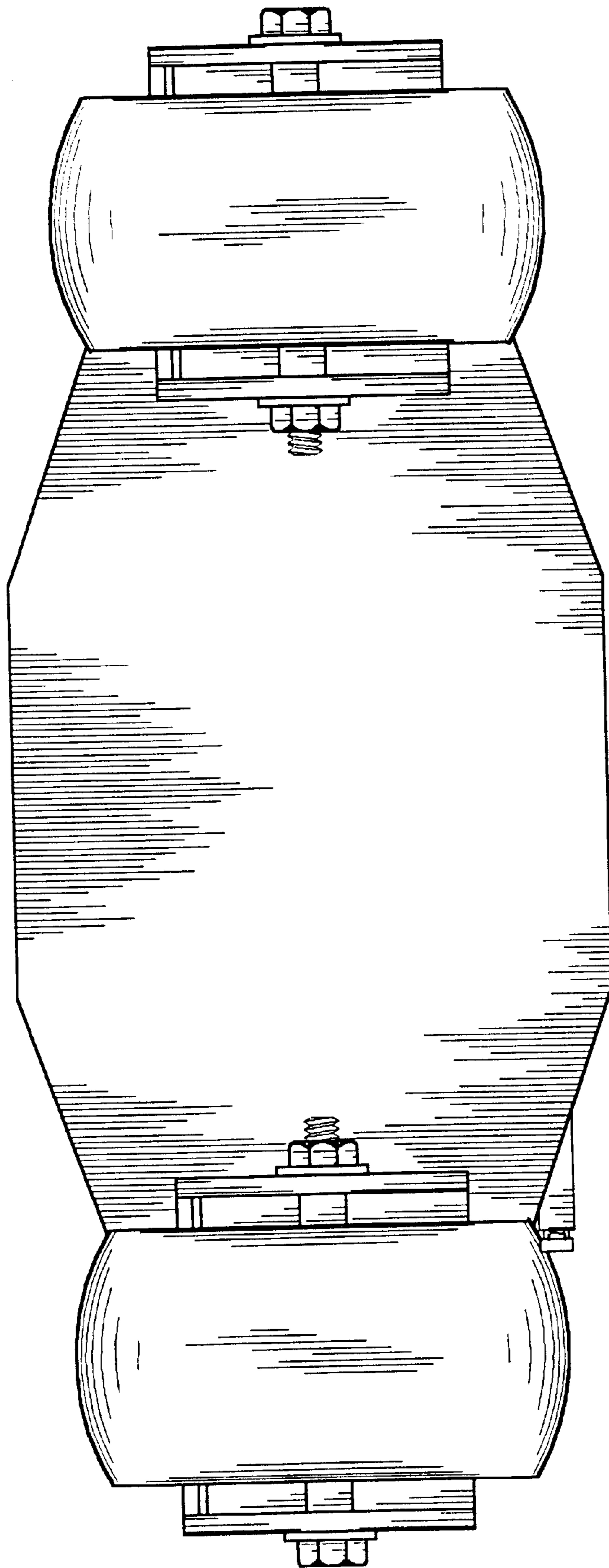


FIG. 6