



US00D455113S

(12) **United States Design Patent**  
**Sehgal et al.**

(10) **Patent No.:** **US D455,113 S**

(45) **Date of Patent:** **\*\* Apr. 2, 2002**

- (54) **TAIL ROTOR YOKE ASSEMBLY**
- (75) Inventors: **Ajay Sehgal**, Bedford; **Eric C. Boyle**, Haslet; **Glen A. Shimek**, Kennedale, all of TX (US)
- (73) Assignee: **Bell Helicopter Textron Inc.**, Hurst, TX (US)
- (\*\*) Term: **14 Years**

4,543,040 A	9/1985	McArdle et al. ....	416/134
4,795,310 A	1/1989	McArdle et al. ....	416/134
D303,106 S	* 8/1989	Macaluso .....	D12/345
4,868,962 A	9/1989	McArdle et al. ....	29/156.8
5,059,094 A	10/1991	Robinson et al. ....	416/134
5,154,371 A	10/1992	Grant et al. ....	244/17.27
5,214,973 A	6/1993	Hambrie .....	476/69
D361,055 S	* 8/1995	Godina .....	D12/345
5,499,903 A	3/1996	Schmaling et al. ....	416/134

\* cited by examiner

- (21) Appl. No.: **29/124,362**
- (22) Filed: **Jun. 5, 2000**

*Primary Examiner*—Marcus A. Jackson  
(74) *Attorney, Agent, or Firm*—Gardere Wynne Sewell; Sanford E. Warren, Jr.; Theodore F. Shiells

- (51) **LOC (7) Cl.** ..... **12-07**
- (52) **U.S. Cl.** ..... **D12/345**
- (58) **Field of Search** ..... D12/319, 345; 244/114, 115, 116, 103 S

(57) **CLAIM**

The ornamental design for the tail rotor yoke assembly, as shown and described.

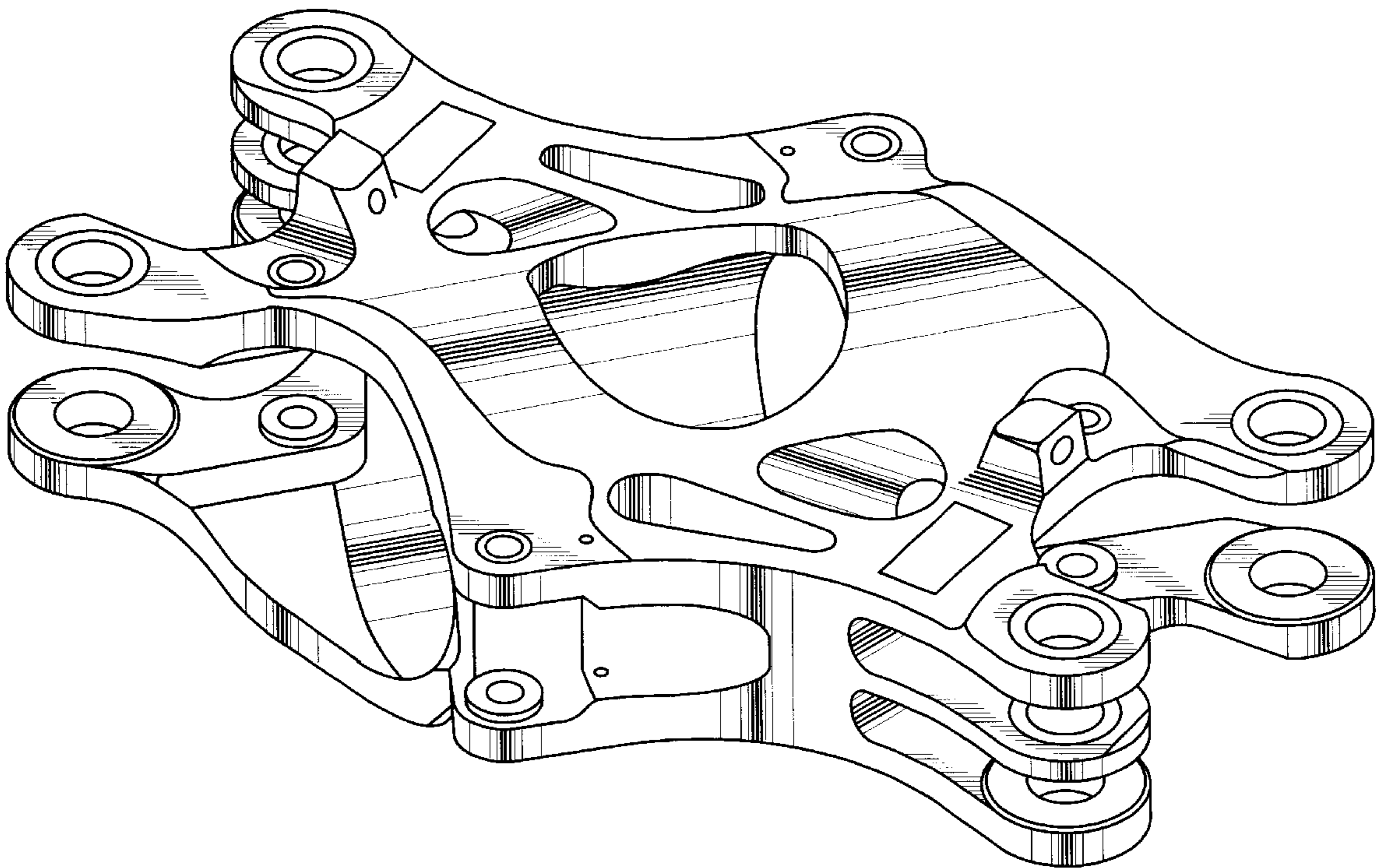
(56) **References Cited**  
**U.S. PATENT DOCUMENTS**

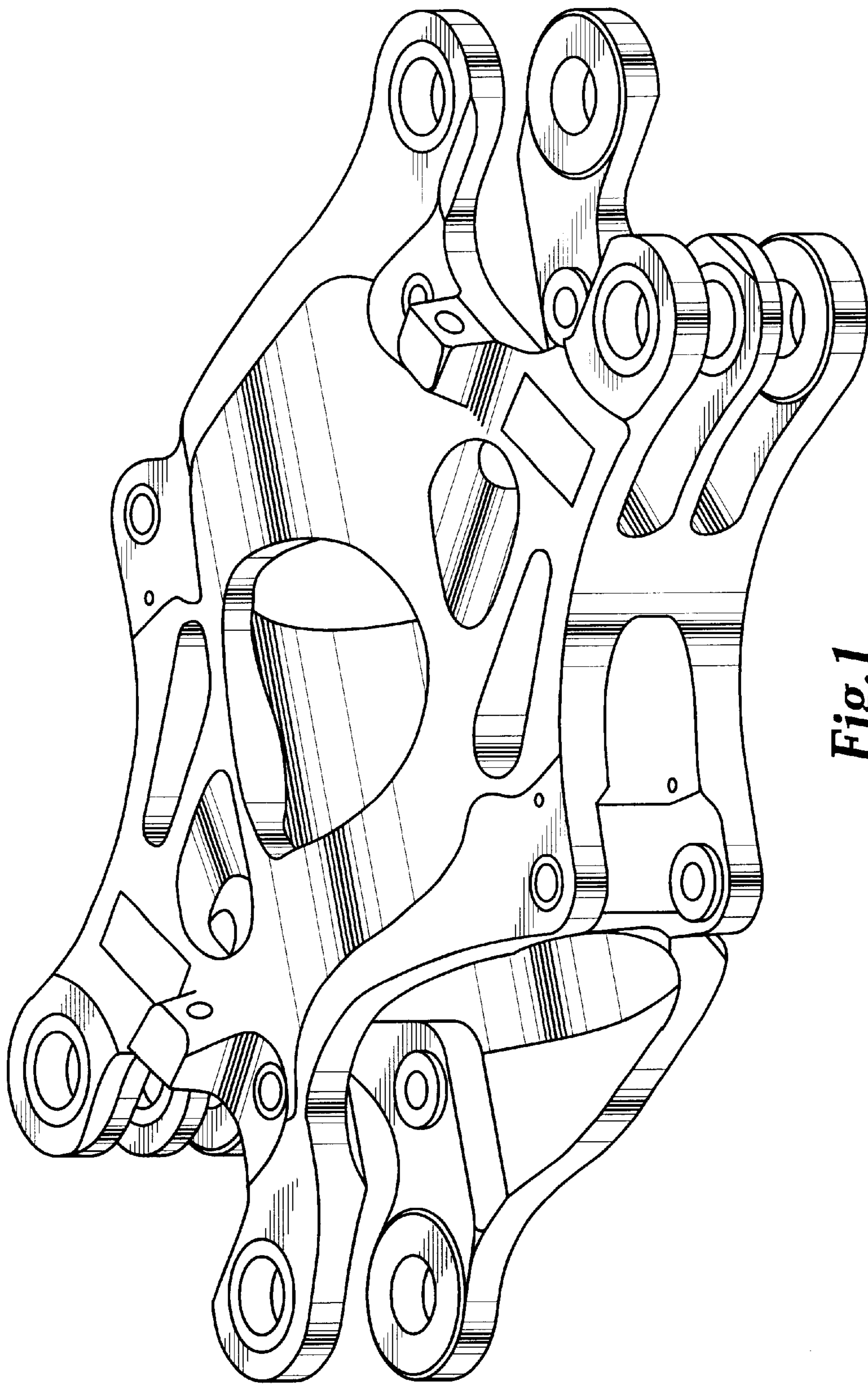
**DESCRIPTION**

3,007,654 A	* 11/1961	Doman .....	D12/345
3,942,910 A	3/1976	Snyder et al. ....	416/141
4,111,068 A	9/1978	Bonisch .....	74/586
4,381,902 A	5/1983	Head et al. ....	416/134
4,529,155 A	7/1985	Bramwell et al. ....	244/232
4,540,141 A	9/1985	Durno et al. ....	244/17.19
4,542,567 A	9/1985	McArdle et al. ....	29/156.8

FIG. 1 is a perspective view of a tail rotor yoke assembly of our new design;  
FIG. 2 is a plan view thereof;  
FIG. 3 is a back elevation thereof;  
FIG. 4 is a view thereof along line 4—4; and,  
FIG. 5 is a side elevation view thereof with the opposite side being a mirror image.

**1 Claim, 2 Drawing Sheets**





**Fig. 1**

