



US00D455110S

(12) **United States Design Patent**
Vismara

(10) **Patent No.:** **US D455,110 S**

(45) **Date of Patent:** **** Apr. 2, 2002**

(54) **BOAT**

D349,878 S * 8/1994 Wenstadt et al. D12/313
D395,273 S * 6/1998 Maki et al. D12/314

(75) Inventor: **Alessandro Vismara, Milan (IT)**

* cited by examiner

(73) Assignee: **M.A.S. Marine Advanced Services
S.a.s. di Vismara Alessandro, Milan
(IT)**

Primary Examiner—Lisa Lichtenstein
(74) *Attorney, Agent, or Firm*—Sofer & Haroun, LLP

(**) Term: **14 Years**

(57) **CLAIM**

The ornamental design for a boat, as shown and described.

(21) Appl. No.: **29/137,404**

DESCRIPTION

(22) Filed: **Feb. 20, 2001**

(51) **LOC (7) Cl.** **12-06**

(52) **U.S. Cl.** **D12/300**

(58) **Field of Search** D12/300-318;
114/363

FIG. 1 is a front perspective view of a boat showing my new design;

FIG. 2 is a rear perspective view of the boat as shown in FIG. 1;

FIG. 3 is a lower perspective view of the boat as shown in FIG. 1;

FIG. 4 is a side view of the boat as shown in FIG. 1, the opposite sides being a mirror image of that shown;

FIG. 5 is a top view of the boat as shown in FIG. 1;

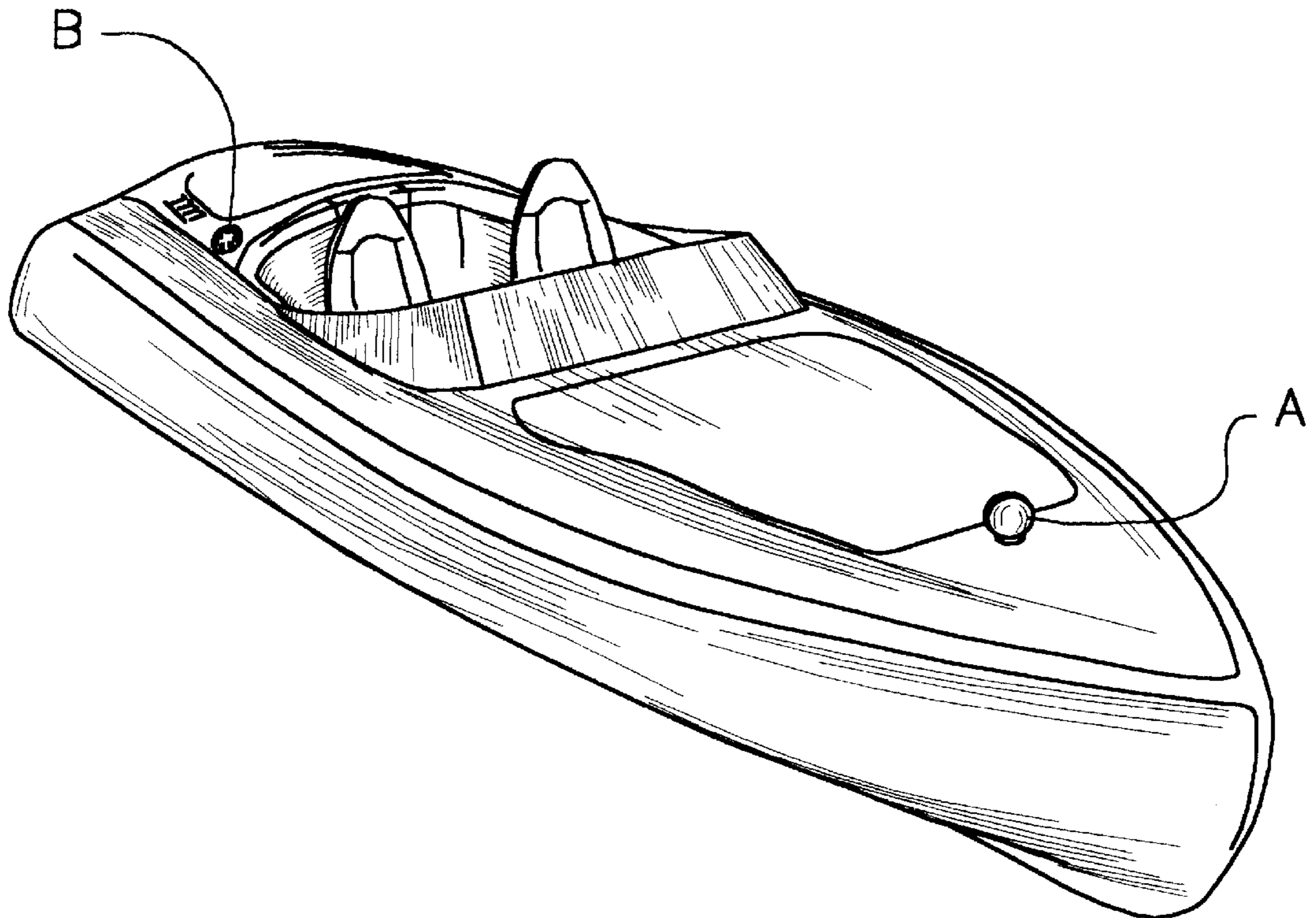
FIG. 6 is a rear view of the boat as shown in FIG. 1; and, FIG. 7 is a front view of the boat as shown in FIG. 1.

(56) **References Cited**

U.S. PATENT DOCUMENTS

D246,297 S * 11/1977 Whitley et al. D12/300
D343,610 S * 1/1994 Leach D12/314
D347,616 S * 6/1994 Wenstadt et al. D12/314

1 Claim, 7 Drawing Sheets



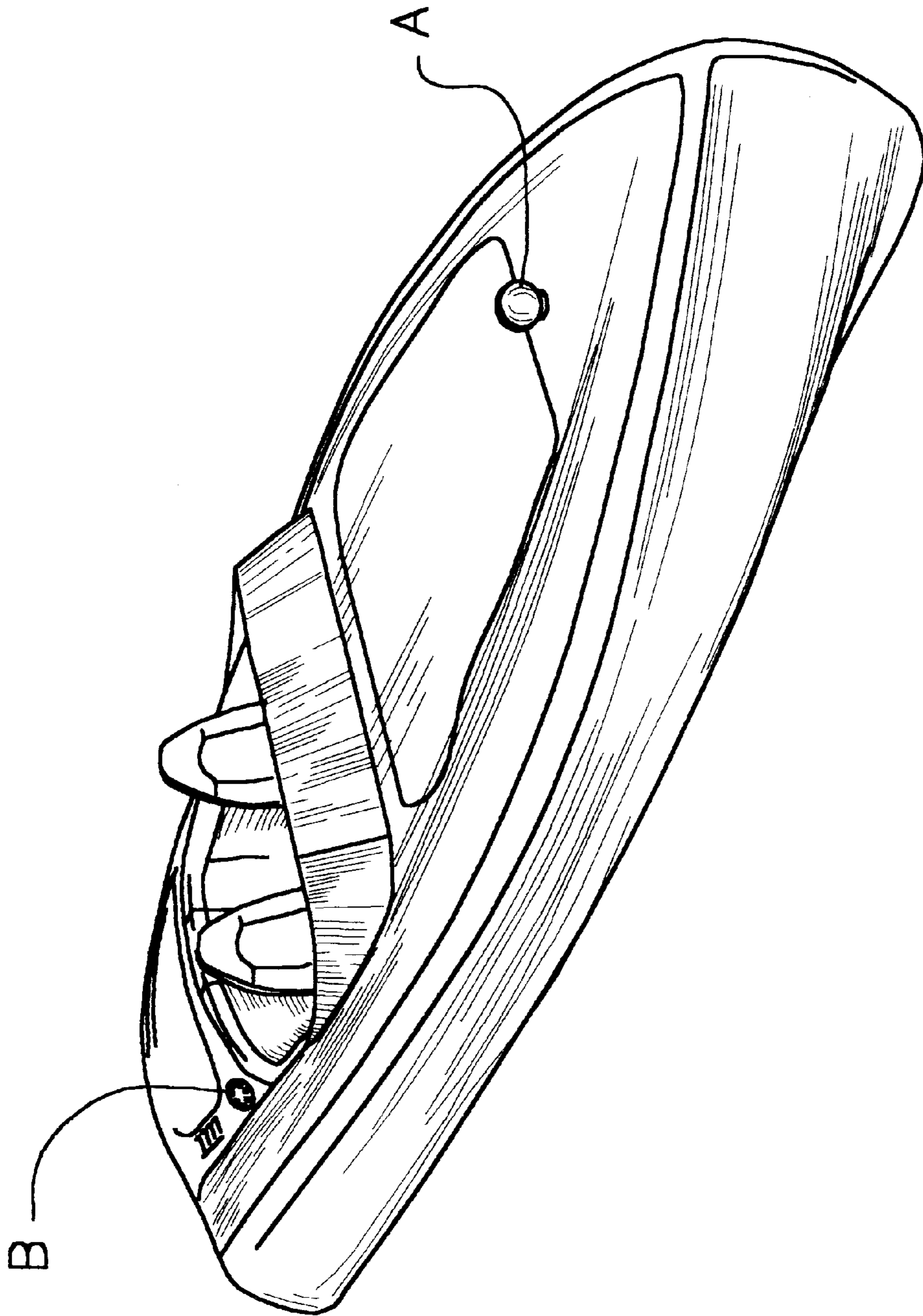


FIG. 1

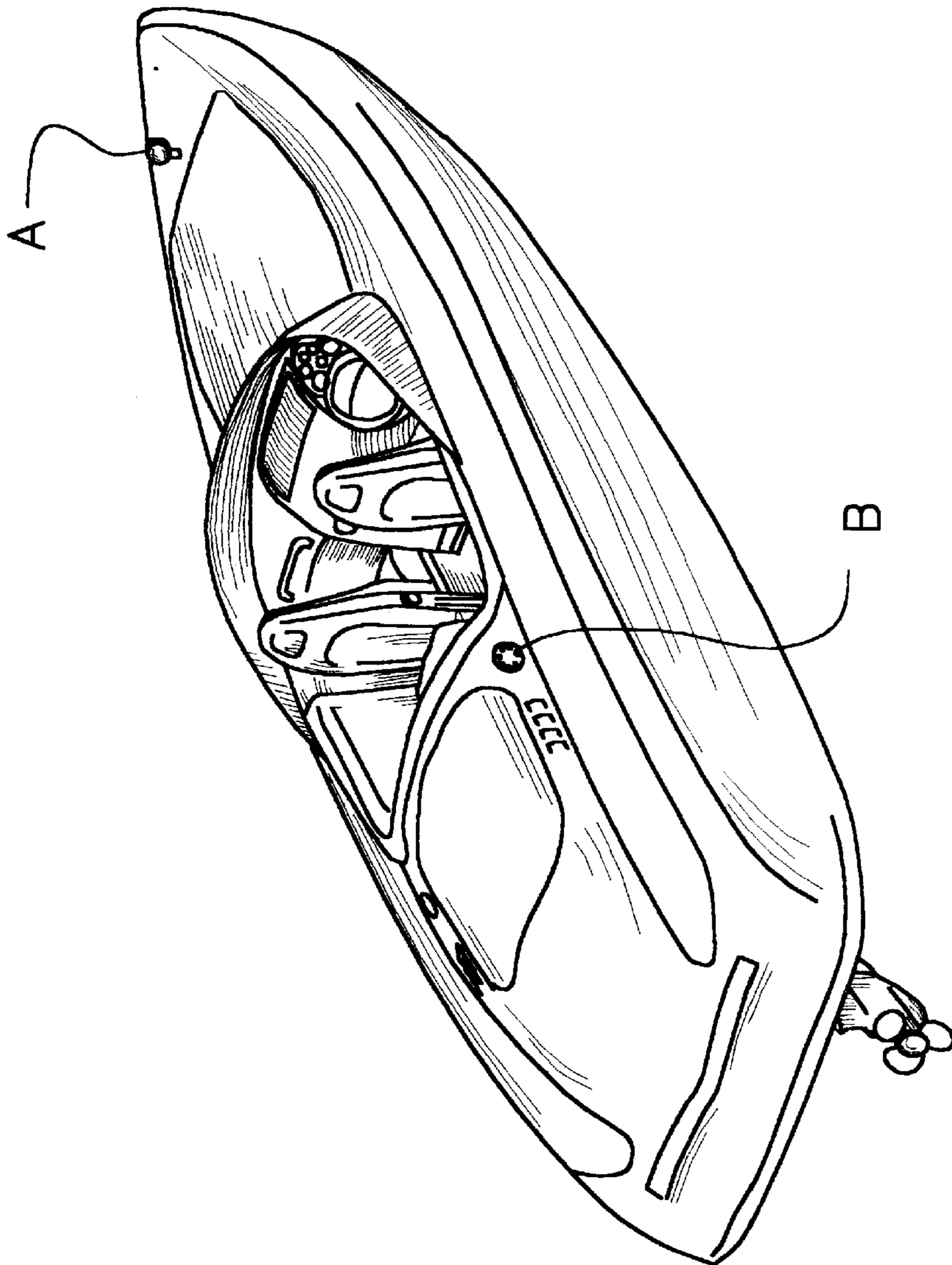


FIG. 2

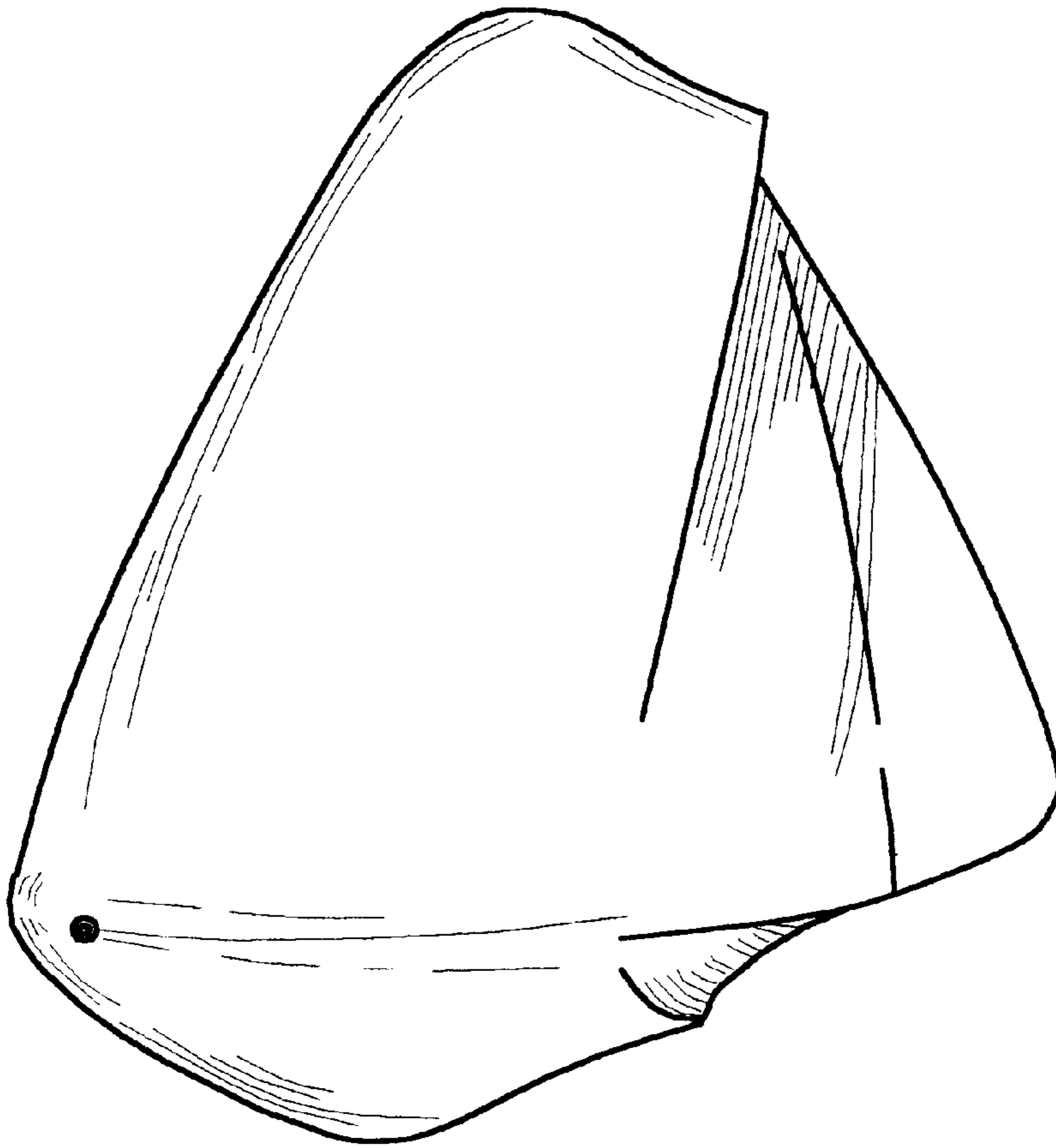


FIG. 3

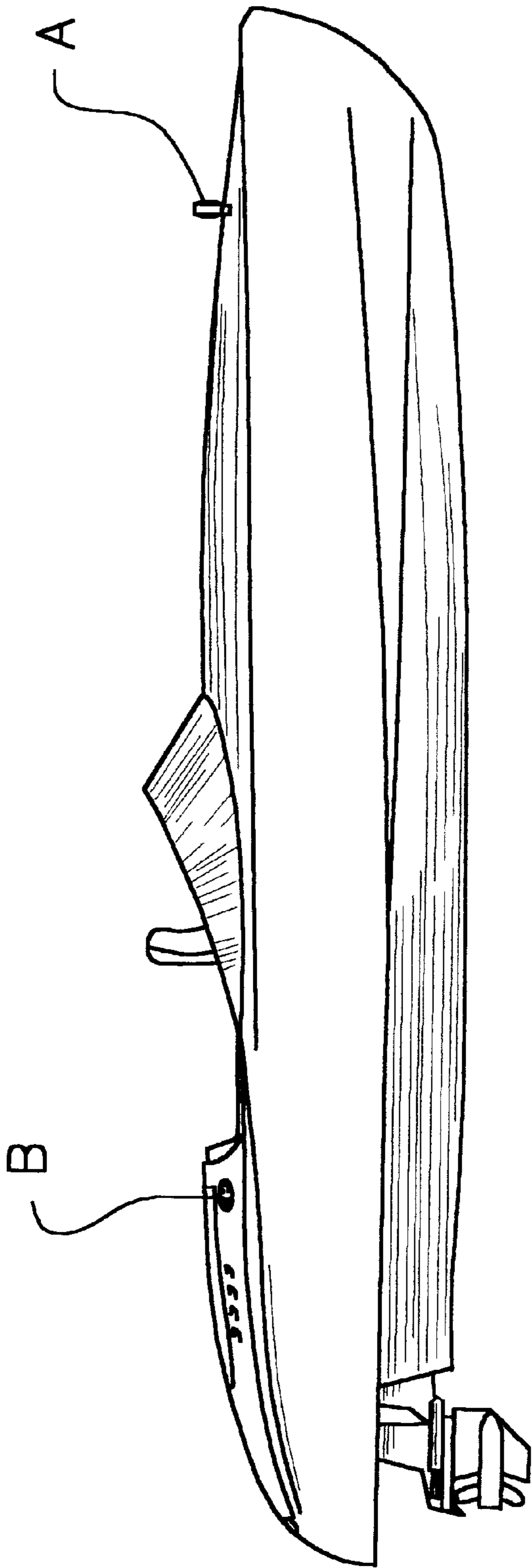


FIG. 4

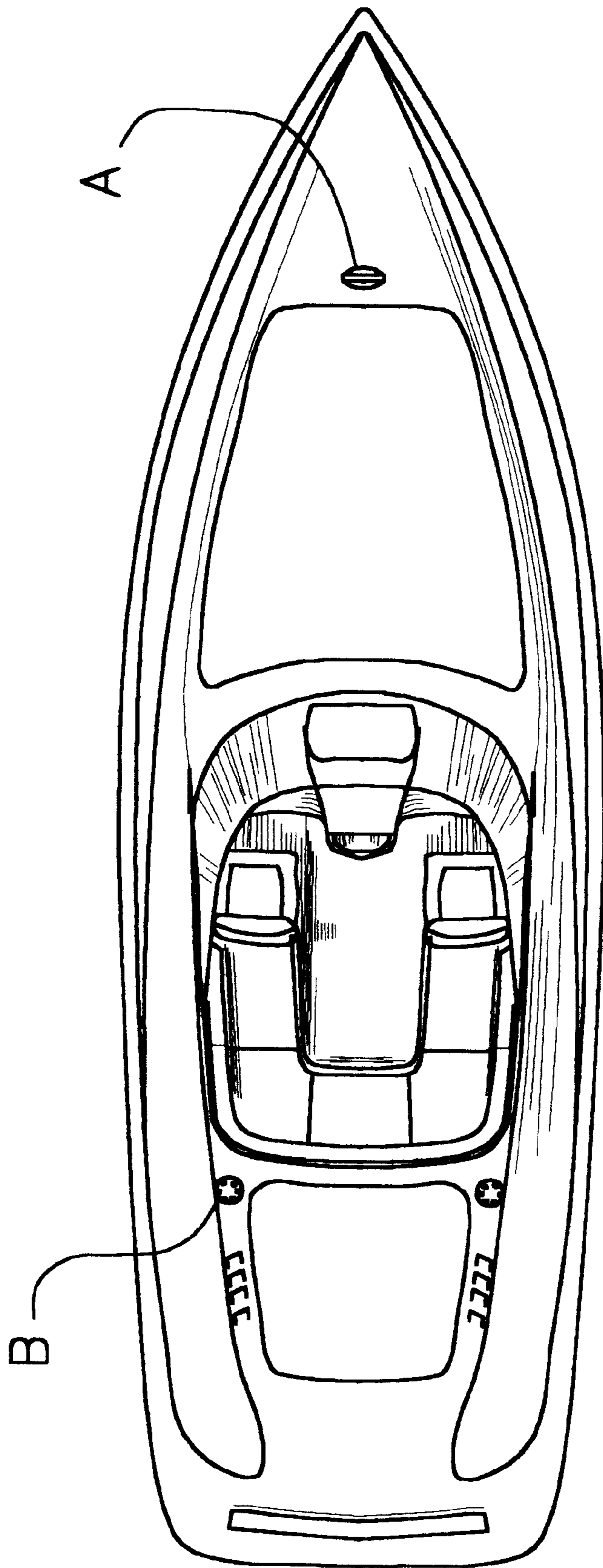


FIG. 5

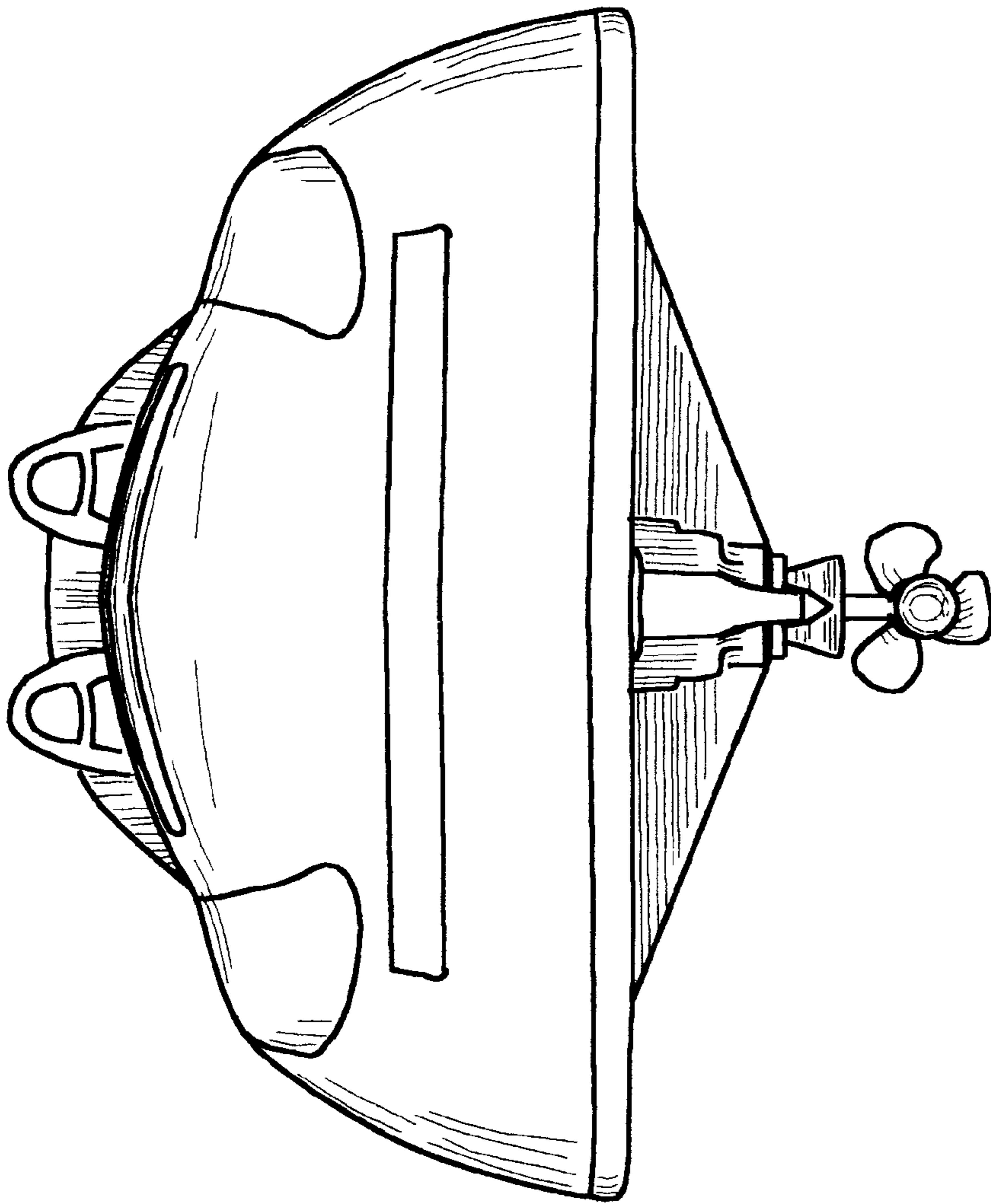


FIG. 6

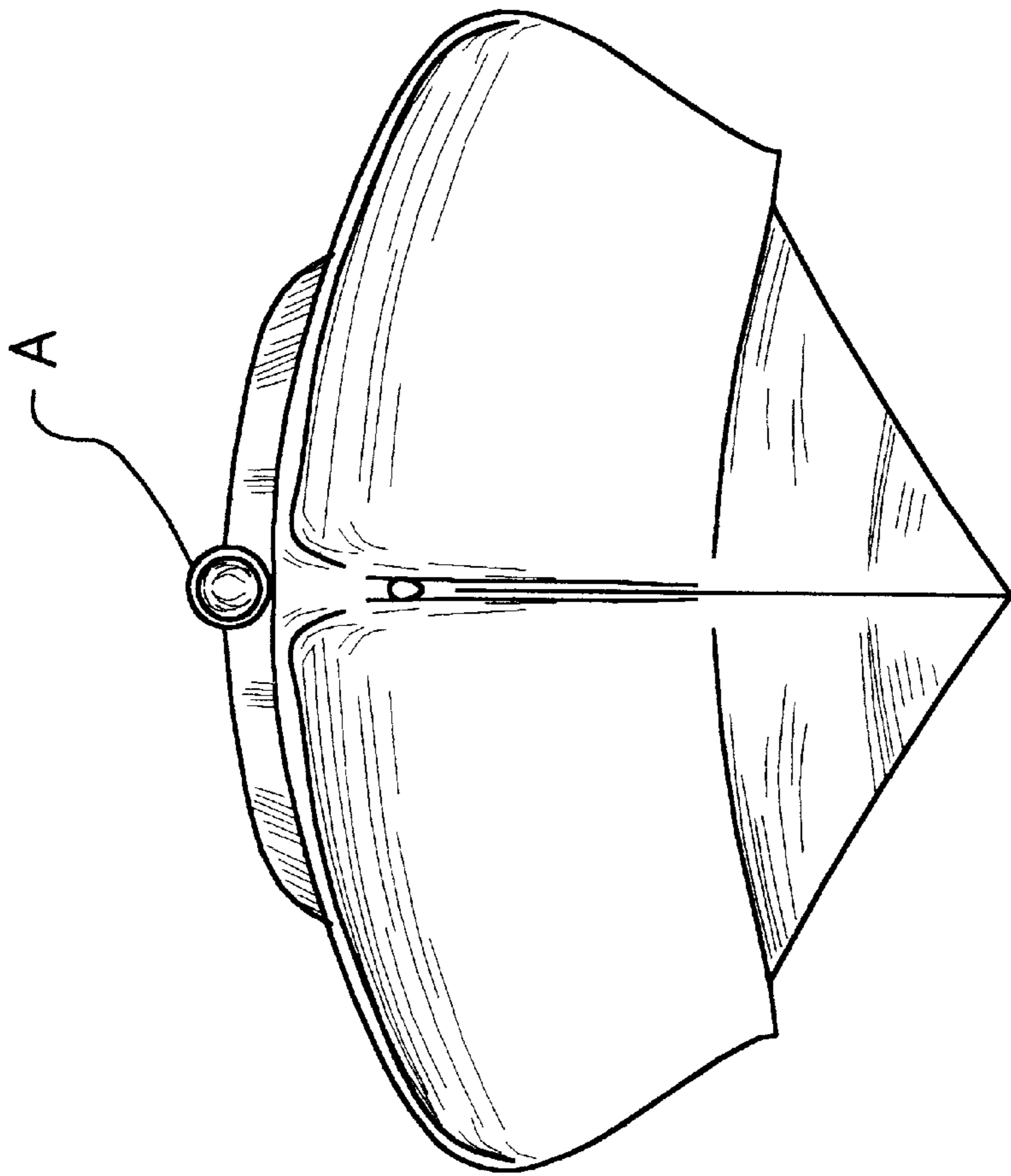


FIG. 7