



US00D455107S

(12) **United States Design Patent**  
**Zimmerman**

(10) **Patent No.:** **US D455,107 S**

(45) **Date of Patent:** **\*\* Apr. 2, 2002**

(54) **FUEL TANK CAP**

(76) **Inventor:** **Wade N. Zimmerman**, 3009 E. Black Hills Ct., Westlake Village, CA (US) 91361

(\*\*) **Term:** **14 Years**

(21) **Appl. No.:** **29/147,920**

(22) **Filed:** **Sep. 7, 2001**

(51) **LOC (7) Cl.** ..... **12-16**

(52) **U.S. Cl.** ..... **D12/197**

(58) **Field of Search** ..... D12/197, 201; D7/398, 598, 619, 391; D8/300, 307, 310, 311, 338, 341; D9/314, 433, 434, 443, 454, 451; 220/86.1-86.3, DIG. 5, DIG. 12, DIG. 33, 203.04-203.19, 210, 288

(56) **References Cited**

**U.S. PATENT DOCUMENTS**

D69,306 S	*	1/1926	Welker	.....	D12/197
D121,970 S	*	8/1940	Wise	.....	D12/197
D123,083 S	*	10/1940	Guild	.....	D12/197
D188,632 S	*	8/1960	Kawecki	.....	D12/197
D191,039 S	*	8/1961	Johnson	.....	D12/197
D275,512 S	*	9/1984	Shaw	.....	D12/197
D289,544 S	*	4/1987	Doman	.....	D8/311
D341,924 S	*	1/1994	Hogg	.....	D12/197
D369,335 S	*	4/1996	Benningfield	.....	D12/197
D370,451 S	*	6/1996	Chatten	.....	D12/197
D374,623 S	*	10/1996	Rafferty	.....	D9/443

D376,565 S	*	12/1996	Davidson et al.	.....	D12/197
D394,184 S	*	5/1998	Demore	.....	D7/391
D397,076 S	*	8/1998	Seibert et al.	.....	D12/197
D431,512 S	*	10/2000	Pink	.....	D12/197
D443,496 S	*	6/2001	Decosse	.....	D8/300

**OTHER PUBLICATIONS**

Wisco Products Inc., Heavy Duty Filler Caps and Necks (no date).

\* cited by examiner

*Primary Examiner*—Stacia Cadmus

(74) *Attorney, Agent, or Firm*—Koppel & Jacobs

(57) **CLAIM**

The ornamental design for a fuel tank cap, as shown and described.

**DESCRIPTION**

FIG. 1 is a perspective view of a fuel tank cap showing my new design;

FIG. 2 is a left elevation view thereof;

FIG. 3 is a front elevation view thereof;

FIG. 4 is a top plan view thereof;

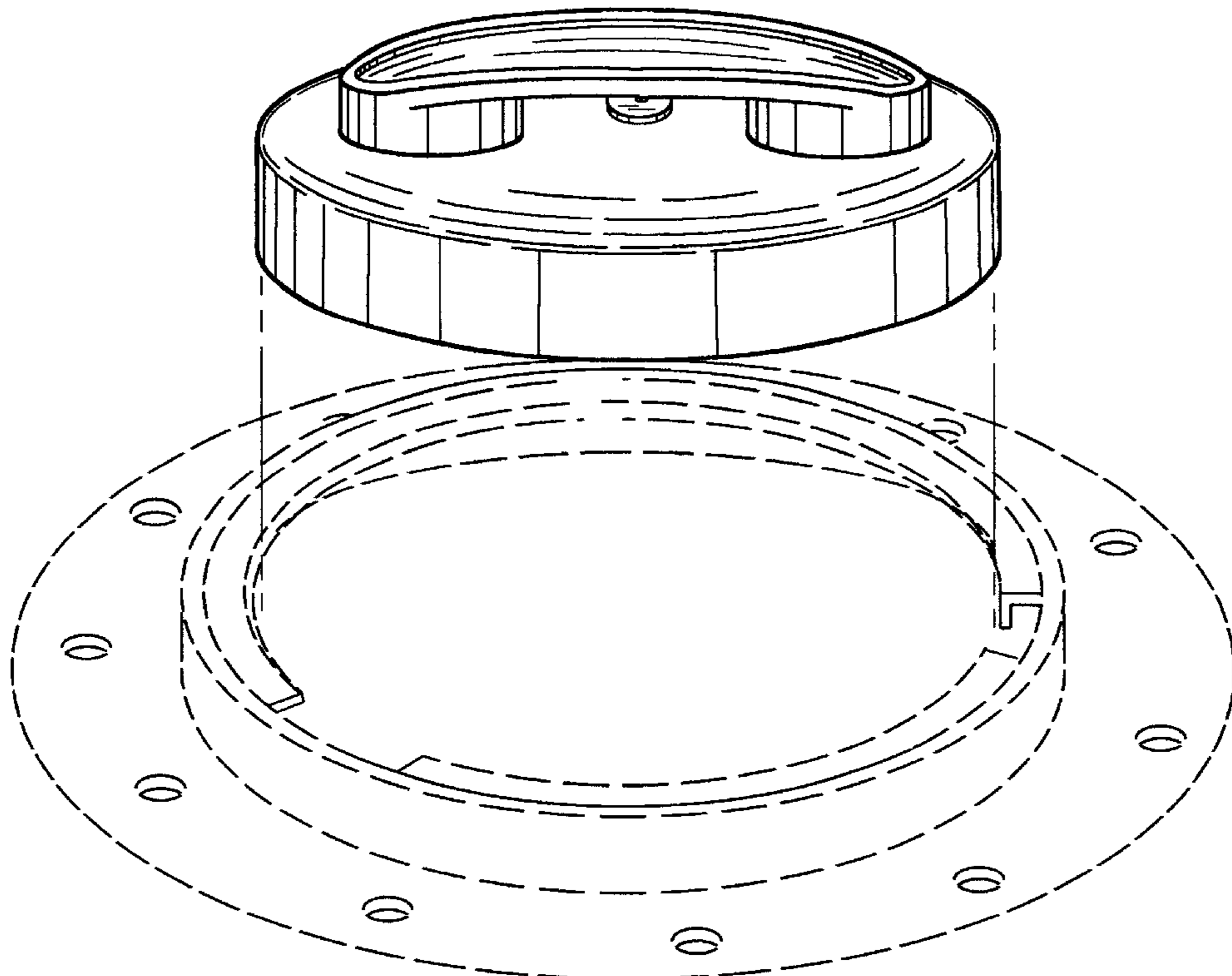
FIG. 5 is a rear elevation view thereof;

FIG. 6 is a bottom plan view thereof; and,

FIG. 7 is a right elevation view thereof.

The broken line showing of environment is for illustrative purposes only and forms no part of the claimed design.

**1 Claim, 2 Drawing Sheets**



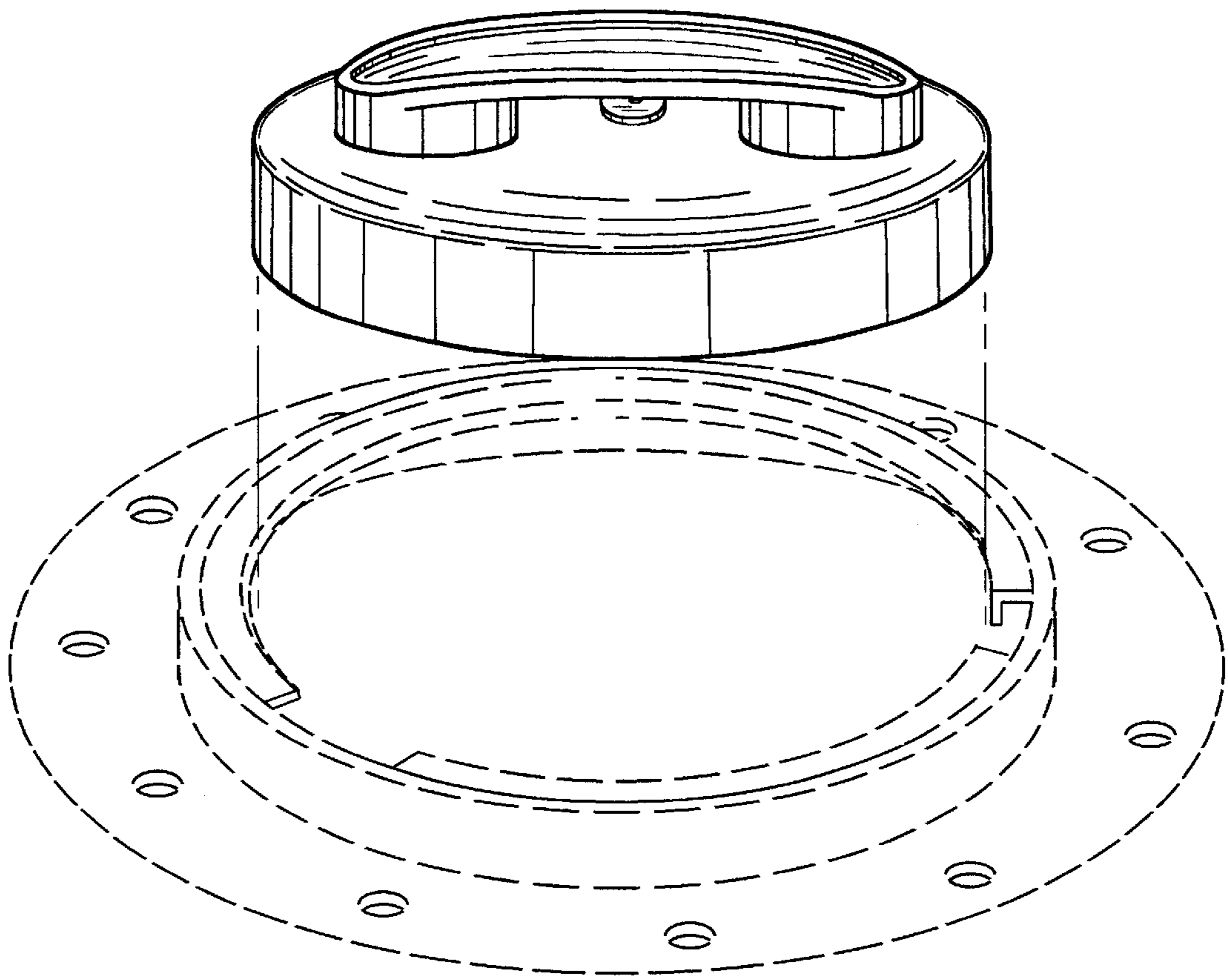


Fig. 1

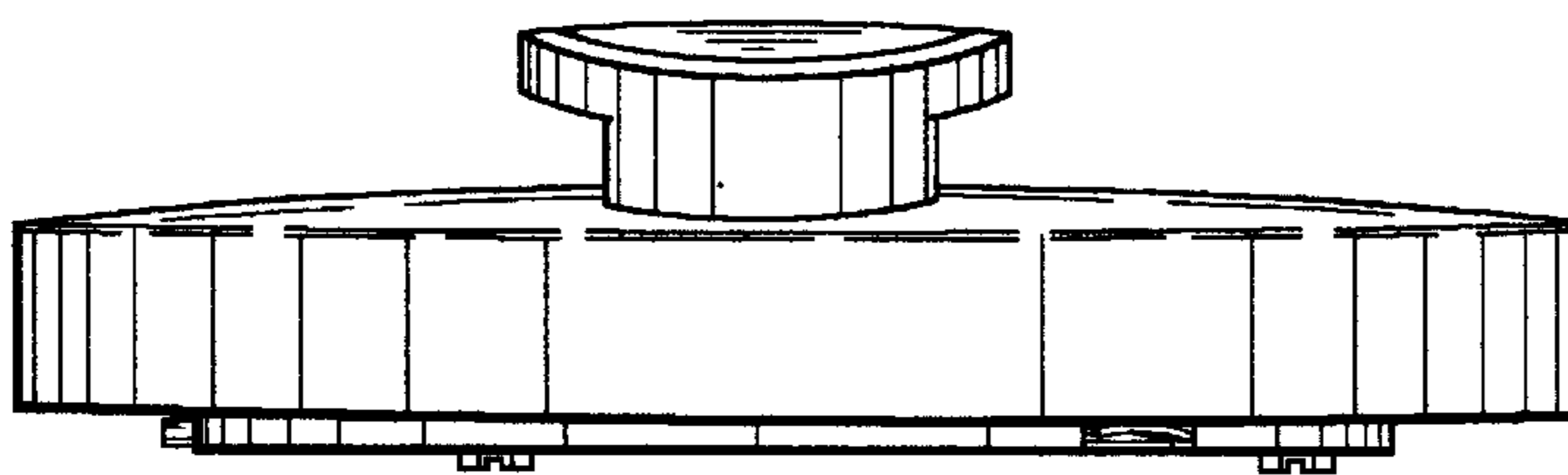
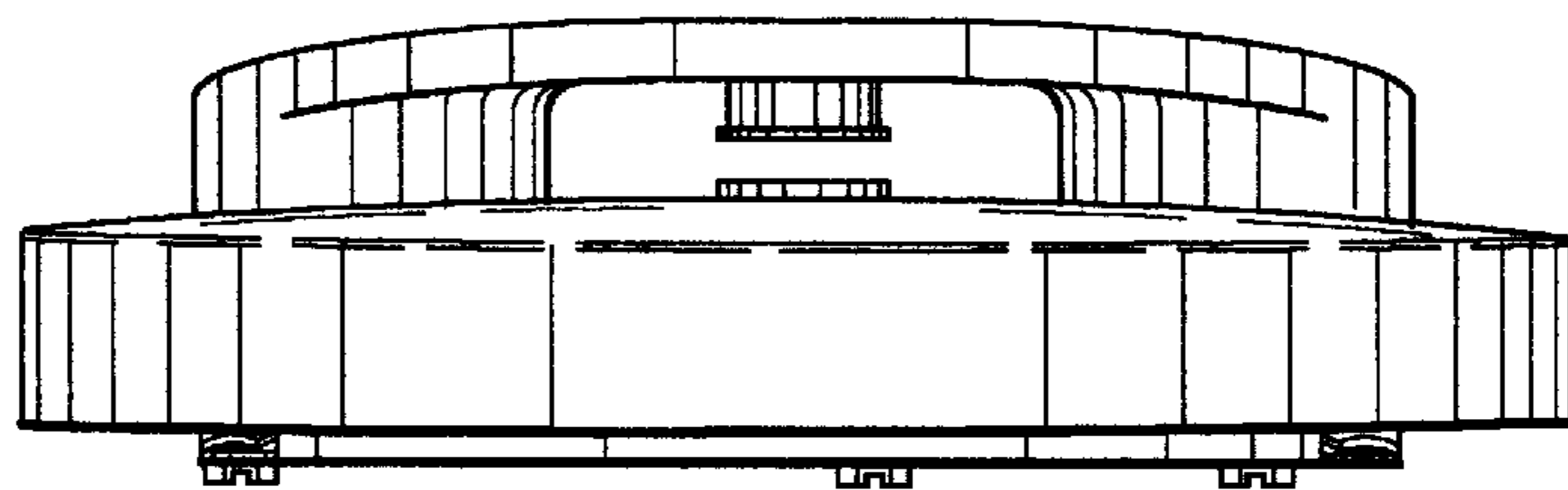


Fig. 2

Fig. 3



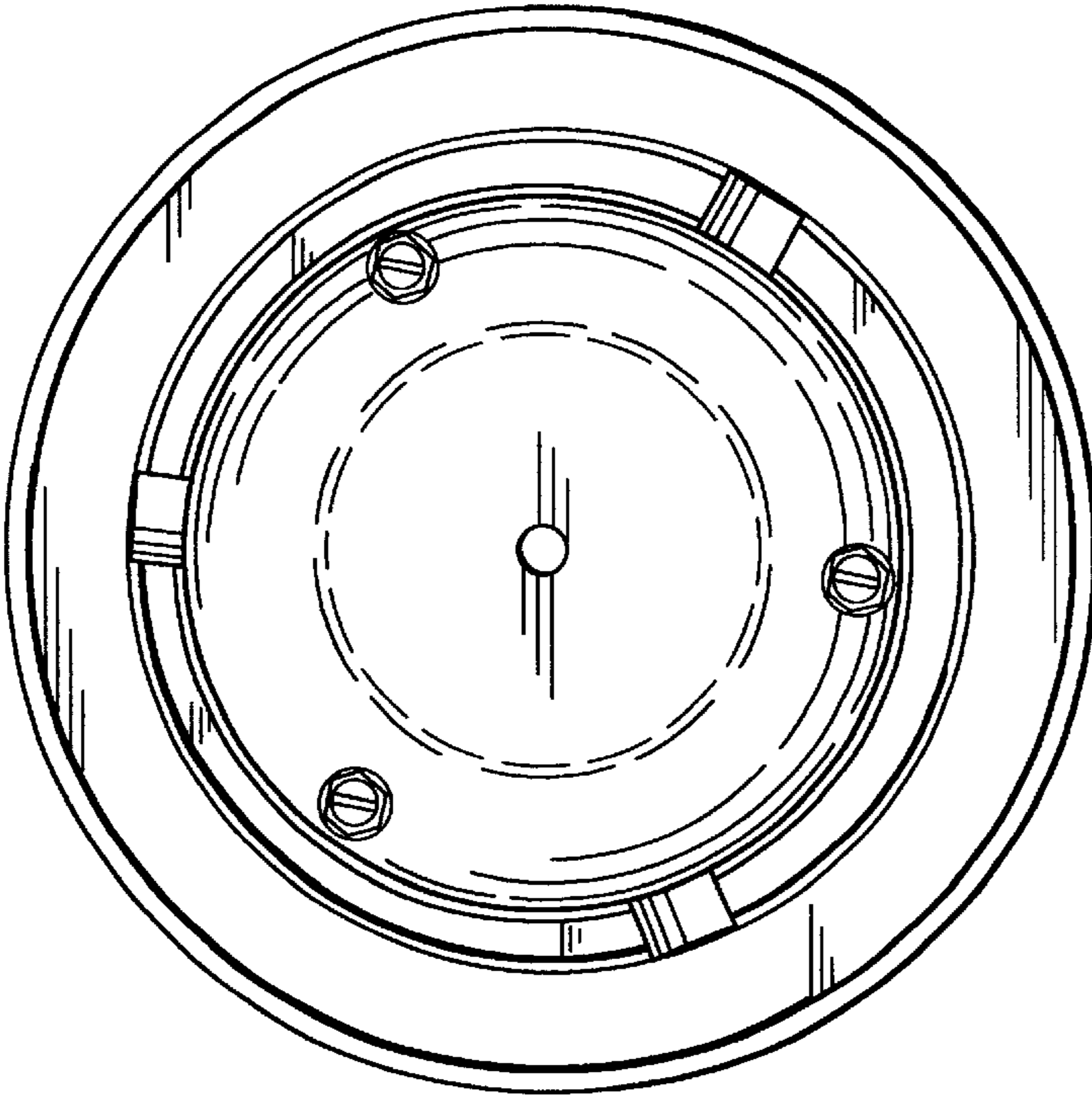


Fig. 6

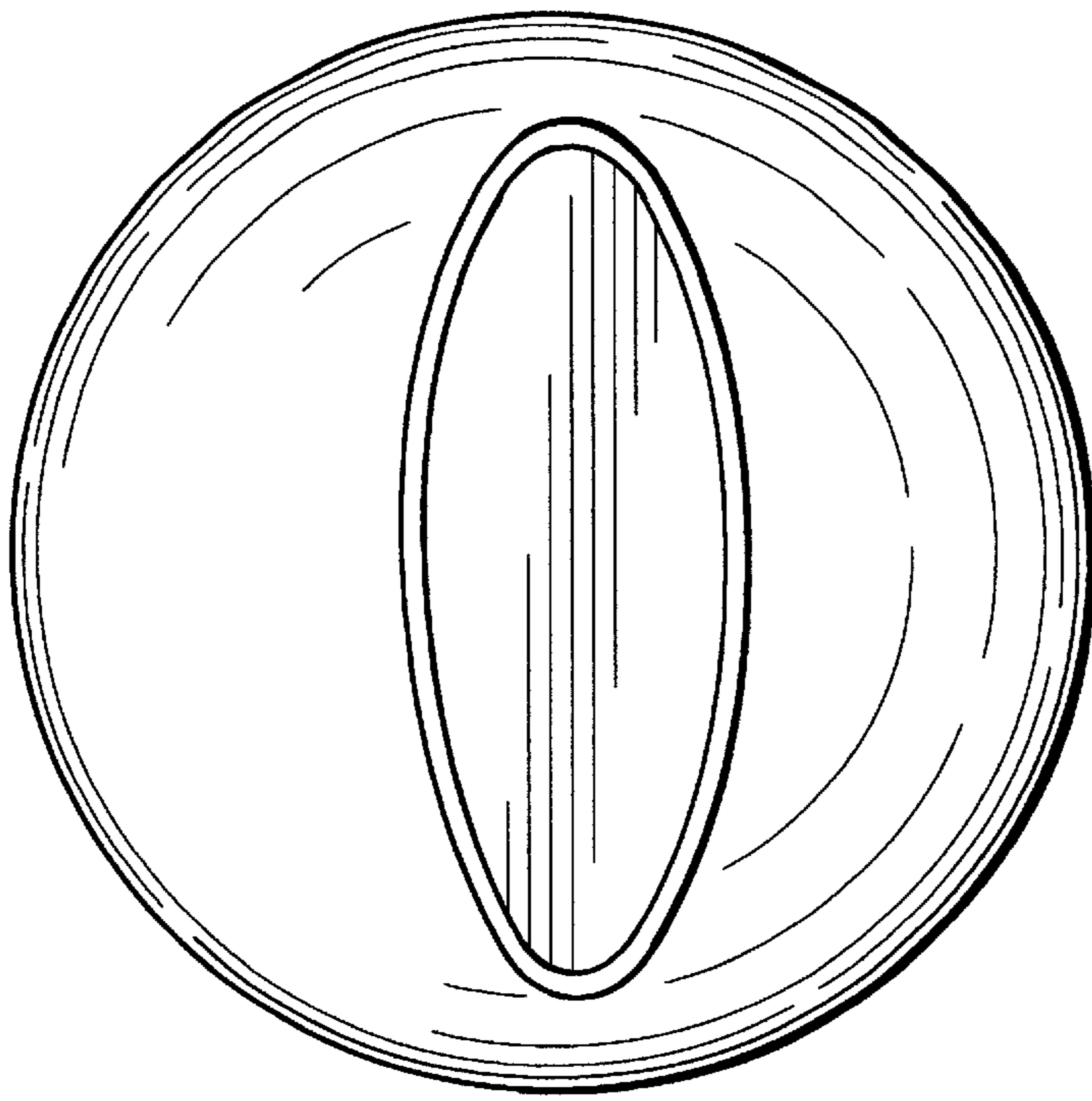


Fig. 4

Fig. 7

