



US00D455106S

(12) **United States Design Patent**
Yang

(10) **Patent No.:** **US D455,106 S**

(45) **Date of Patent:** **** Apr. 2, 2002**

(54) **ILLUMINATED LICENSE PLATE FRAME**

(76) **Inventor:** **A Sheng Yang**, P.O. Box 10-69, Chong Ho, Taipei (TW), 235

(**) **Term:** **14 Years**

(21) **Appl. No.:** **29/149,895**

(22) **Filed:** **Oct. 22, 2001**

(51) **LOC (7) Cl.** **12-16**

(52) **U.S. Cl.** **D12/193**

(58) **Field of Search** D12/193; D6/300-303, D6/310-314; 40/200-203, 207-216

(56) **References Cited**

U.S. PATENT DOCUMENTS

D177,281 S	*	3/1956	Schwartz	D12/193
D182,783 S	*	5/1958	Audette	D12/193
D327,915 S	*	7/1992	Anderson et al.	D12/193
D359,262 S	*	6/1995	Shusterman	D12/193
D360,479 S	*	7/1995	Howard	D12/193
D367,459 S	*	2/1996	Spencer	D12/193

D408,341 S	*	4/1999	Spencer	D12/193
D411,155 S	*	6/1999	Hartmann et al.	D12/193
D412,307 S	*	7/1999	Hartmann et al.	D12/193
D416,527 S	*	11/1999	Steinhagen	D12/193
D437,816 S	*	2/2001	Hussaini et al.	D12/193

* cited by examiner

Primary Examiner—Stacia Cadmus

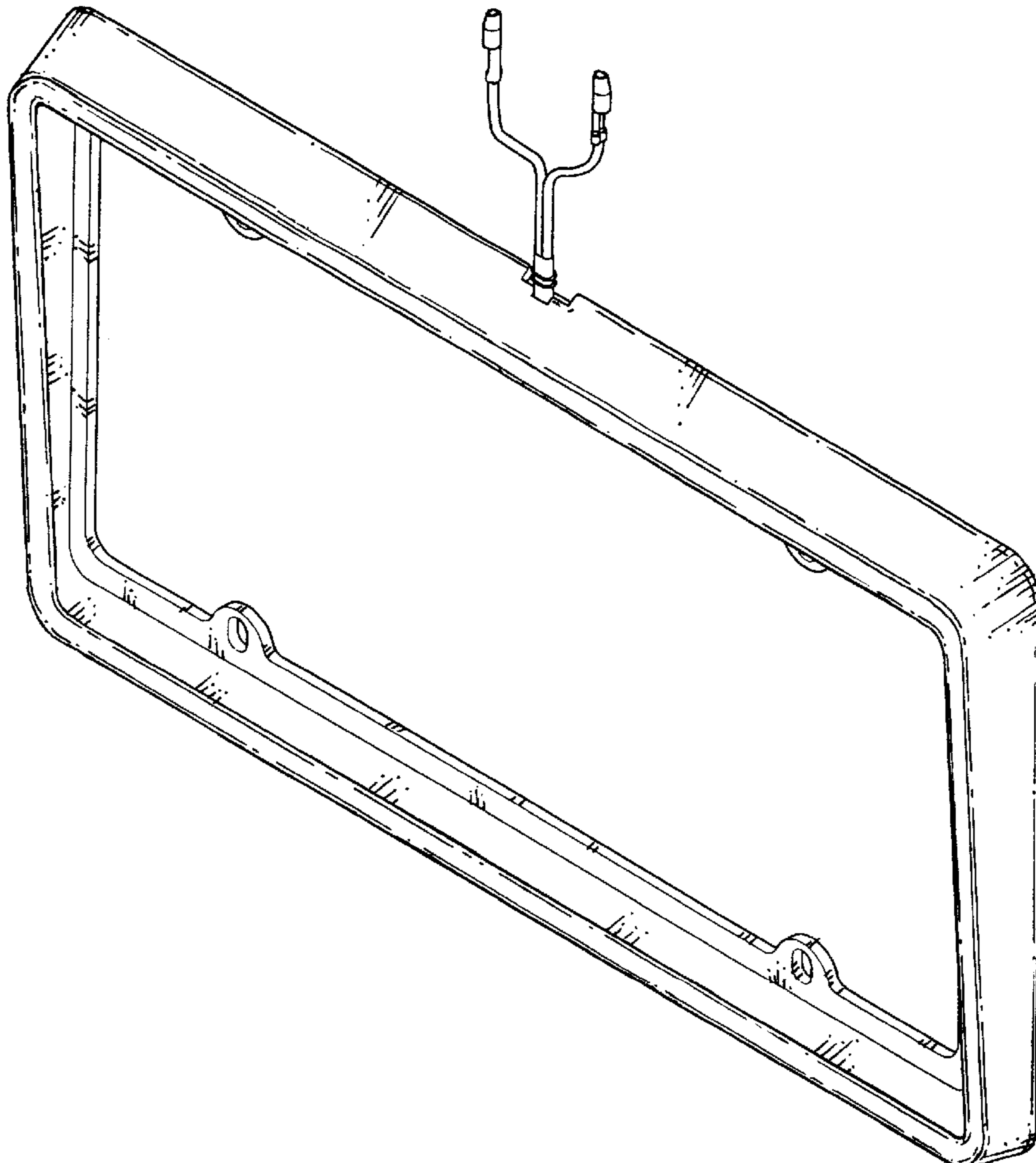
(57) **CLAIM**

The ornamental design for an illuminated license plate frame, as shown and described.

DESCRIPTION

FIG. 1 is a perspective view of an illuminated license plate frame showing my new design;
FIG. 2 is a front elevational view thereof;
FIG. 3 is a rear elevational view thereof;
FIG. 4 is a top plan view thereof;
FIG. 5 is a bottom plan view thereof;
FIG. 6 is a left side elevational view thereof; and,
FIG. 7 is a right side elevational view thereof.

1 Claim, 5 Drawing Sheets



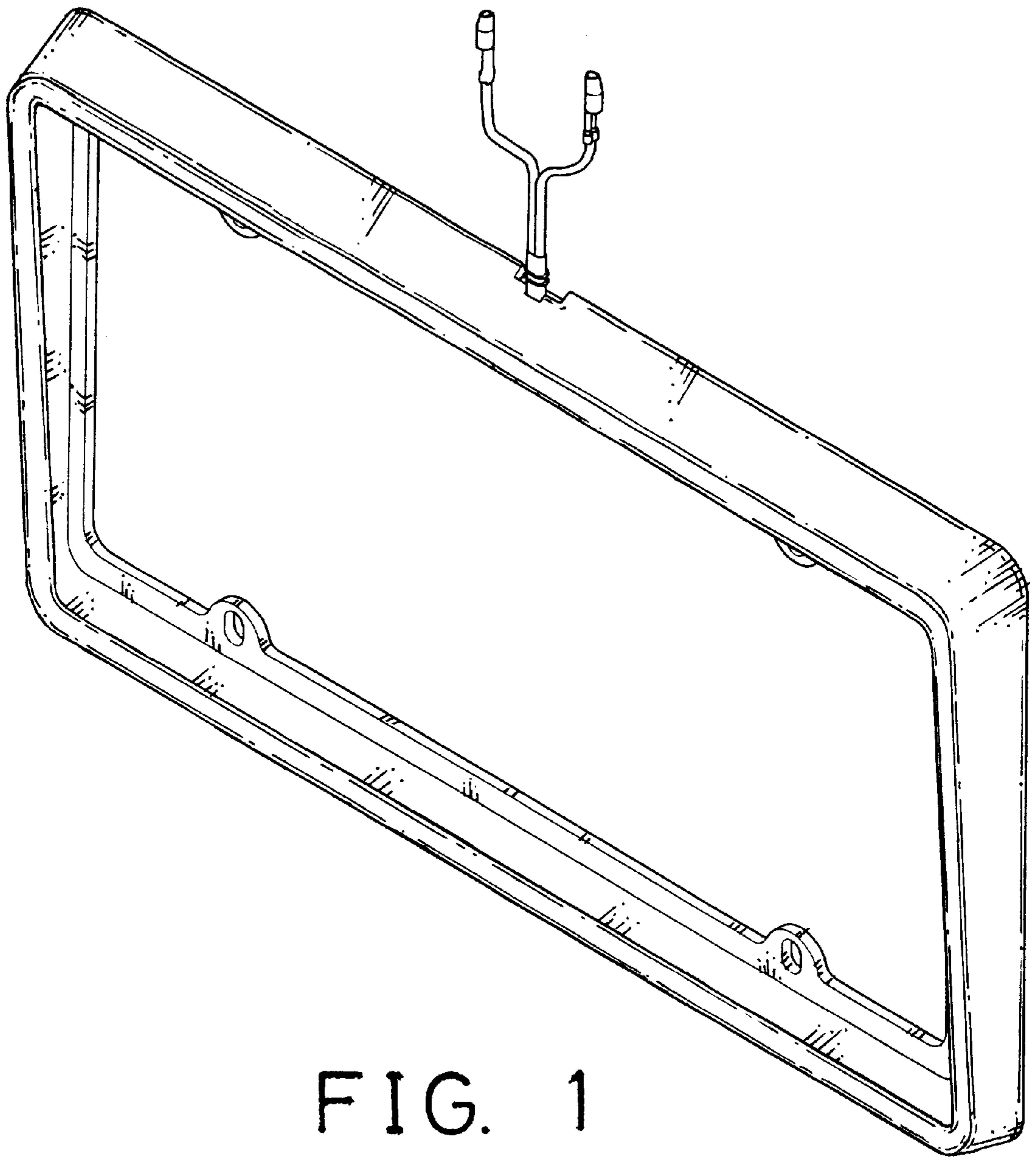


FIG. 1

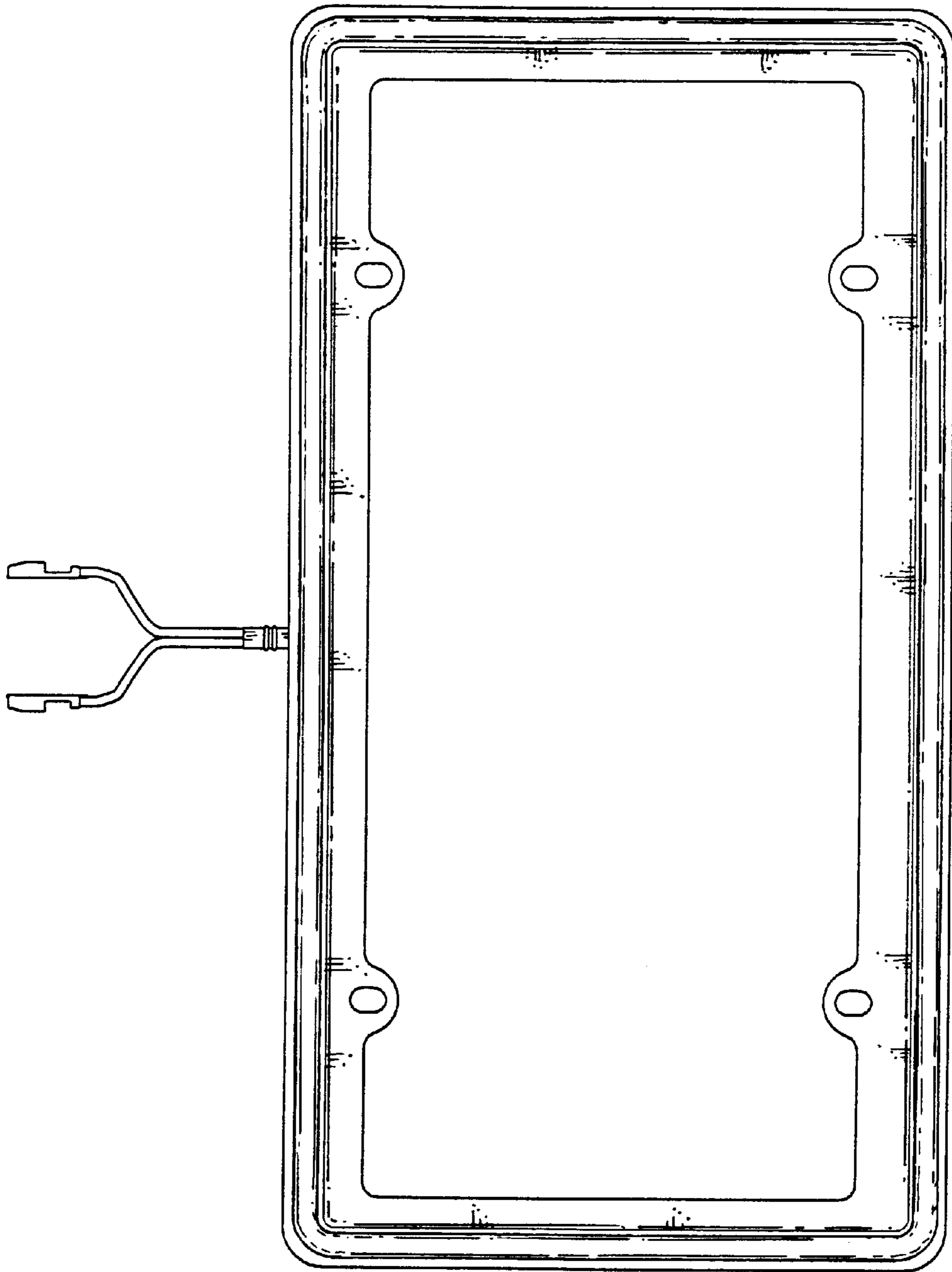


FIG. 2

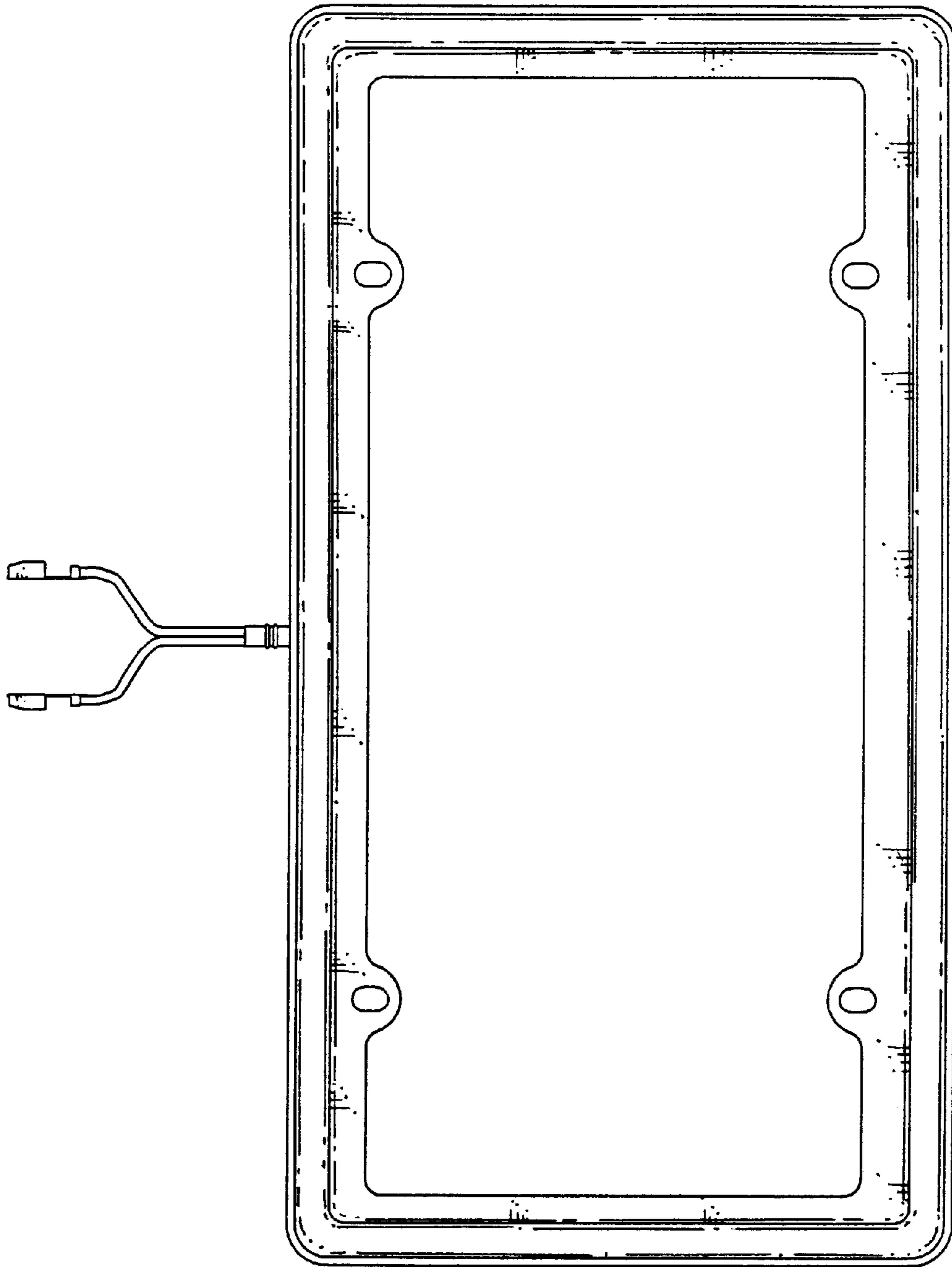


FIG. 3

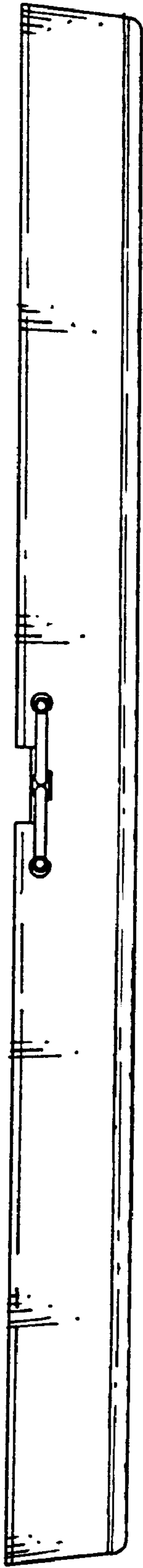


FIG. 4

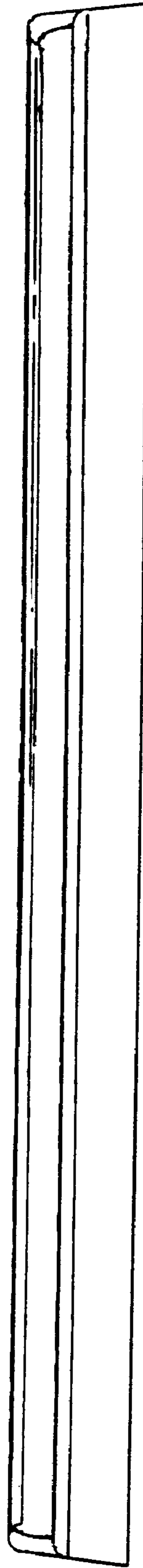


FIG. 5

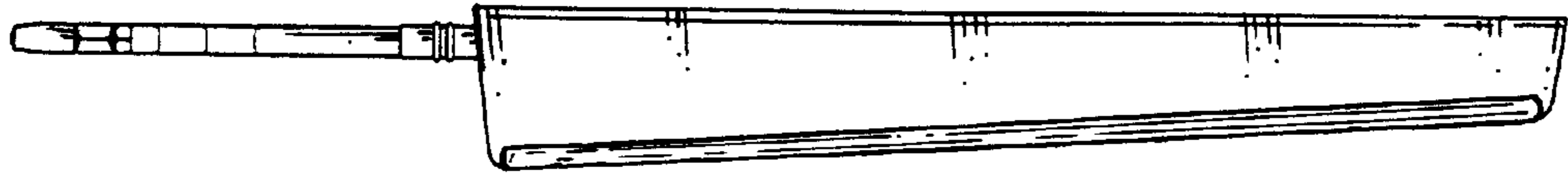


FIG. 6

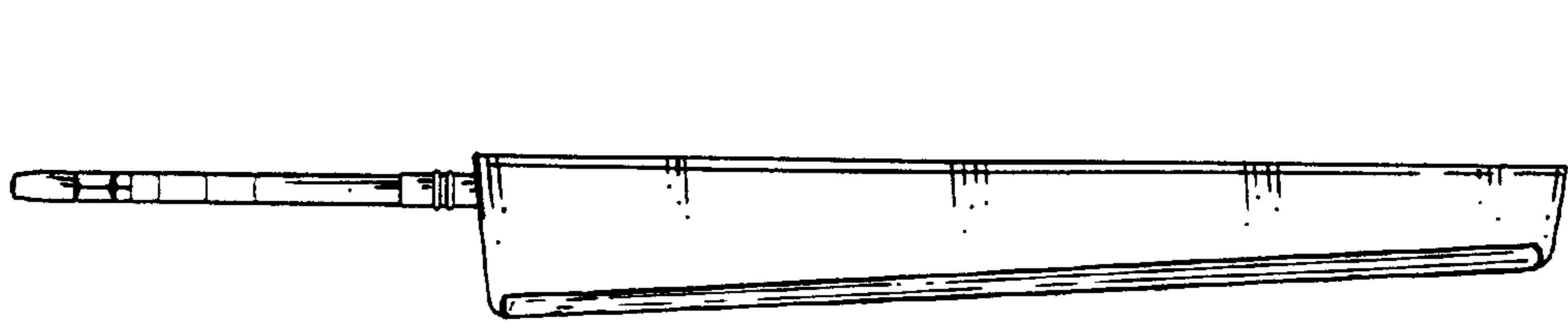


FIG. 7