



US00D455100S

(12) **United States Design Patent**
Burnette

(10) **Patent No.:** **US D455,100 S**

(45) **Date of Patent:** **** Apr. 2, 2002**

(54) **SPHERE CAGE FOR DECORATIVE ARRANGEMENTS**

(75) Inventor: **Troy L. Burnette**, Greentown, IN (US)

(73) Assignee: **Syndicate Sales, Inc.**, Kokomo, IN (US)

(**) Term: **14 Years**

(21) Appl. No.: **29/139,716**

(22) Filed: **Apr. 3, 2001**

(51) **LOC (7) Cl.** **11-02**

(52) **U.S. Cl.** **D11/152; D11/145**

(58) **Field of Search** D11/143, 144, D11/145, 148, 149, 152, 154, 164; D7/704; 47/41.01, 45, 66.6, 67, 69; 220/4.25; 248/27.8, 153; 206/423; D6/403-404, 557; 428/27

(56) **References Cited**

U.S. PATENT DOCUMENTS

389,316 A *	9/1888	Moore	220/4.25
471,116 A *	3/1892	Hays et al.	220/4.25
D76,321 S	9/1928	Paull	
D103,769 S	3/1937	Spencer	
D192,889 S	5/1962	Covington	
3,148,480 A	9/1964	Gallo	
3,198,540 A *	8/1965	Averett	220/4.25
3,292,840 A *	12/1966	Schmidt	220/4.25
3,336,697 A	8/1967	Davis	
3,587,122 A *	6/1971	Humphrey	220/4.25
3,650,384 A *	3/1972	Pegg	248/153
D226,213 S	1/1973	Meyer	
D228,007 S	7/1973	Fletcher	
3,796,626 A *	3/1974	Tucker	428/27
3,826,041 A	7/1974	King	
D243,648 S *	3/1977	Conroy	D11/145
4,204,365 A	5/1980	Hirvi	
D268,444 S *	3/1983	Young	D11/145

4,566,221 A	1/1986	Kossin	
D302,323 S *	7/1989	Daniels	D11/145
D304,913 S *	12/1989	Cassells et al.	D11/145
4,887,385 A	12/1989	James et al.	
D308,029 S	5/1990	Kladt	
5,305,687 A *	4/1994	Cantrell et al.	220/4.25
D349,663 S	8/1994	Spicer	
5,629,057 A *	5/1997	Wang et al.	428/27

* cited by examiner

Primary Examiner—Doris V. Coles

Assistant Examiner—Mimosa De

(74) *Attorney, Agent, or Firm*—Woodard, Emhardt, Naughton, Moriarty & McNett

(57) **CLAIM**

The ornamental design for a sphere cage for decorative arrangements, as shown and described.

DESCRIPTION

FIG. 1 is a perspective view of the first embodiment of a sphere cage for decorative arrangements showing my new design.

FIG. 2 is a front view thereof.

FIG. 3 is a right view thereof.

FIG. 4 is a left view thereof.

FIG. 5 is a top view thereof.

FIG. 6 is a rear view thereof.

FIG. 7 is a bottom view thereof.

FIG. 8 is a perspective view of the second embodiment of a sphere cage for decorative arrangements showing my new design.

FIG. 9 is a front view of the cage of FIG. 8.

FIG. 10 is a right view of the cage of FIG. 8.

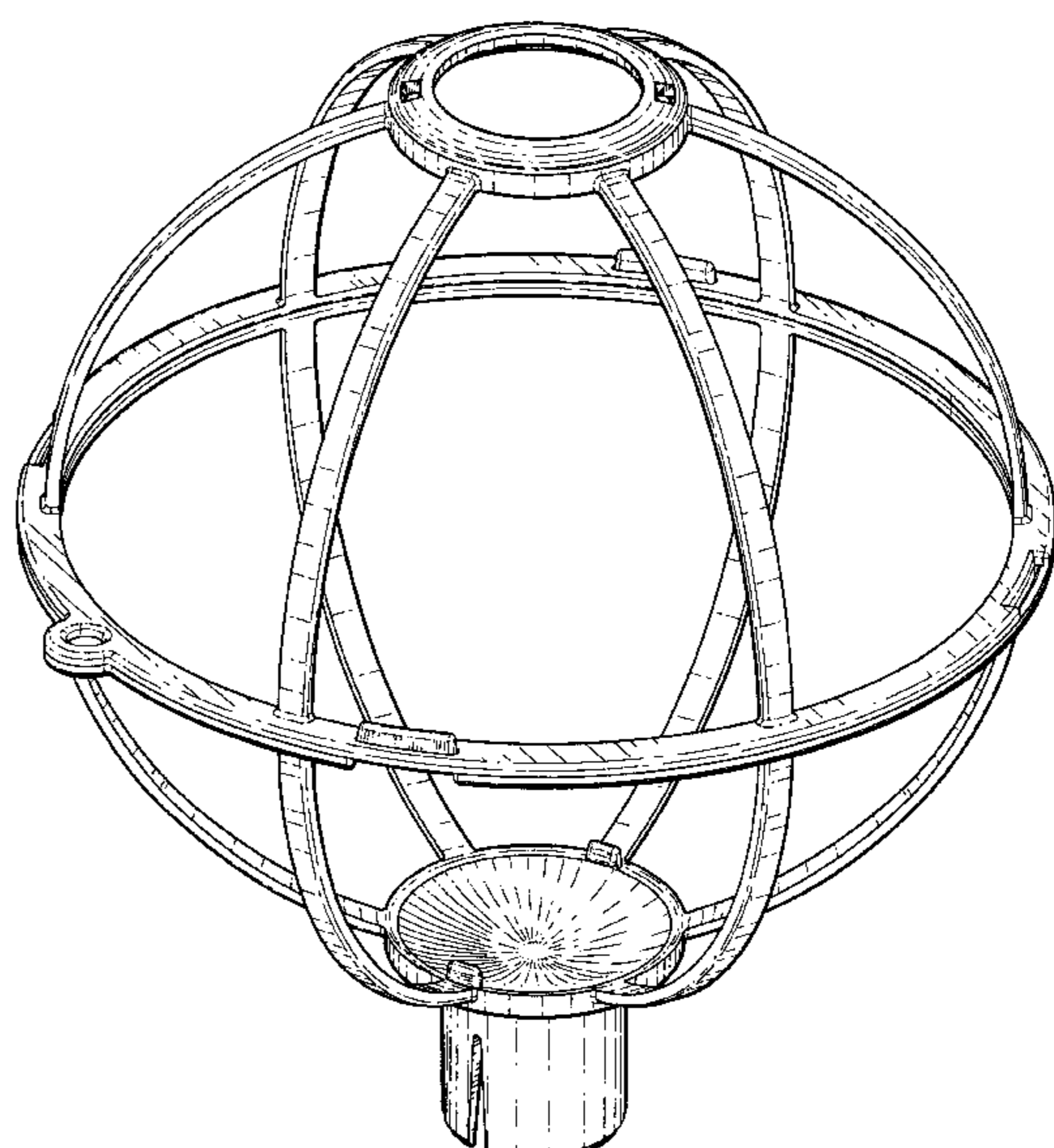
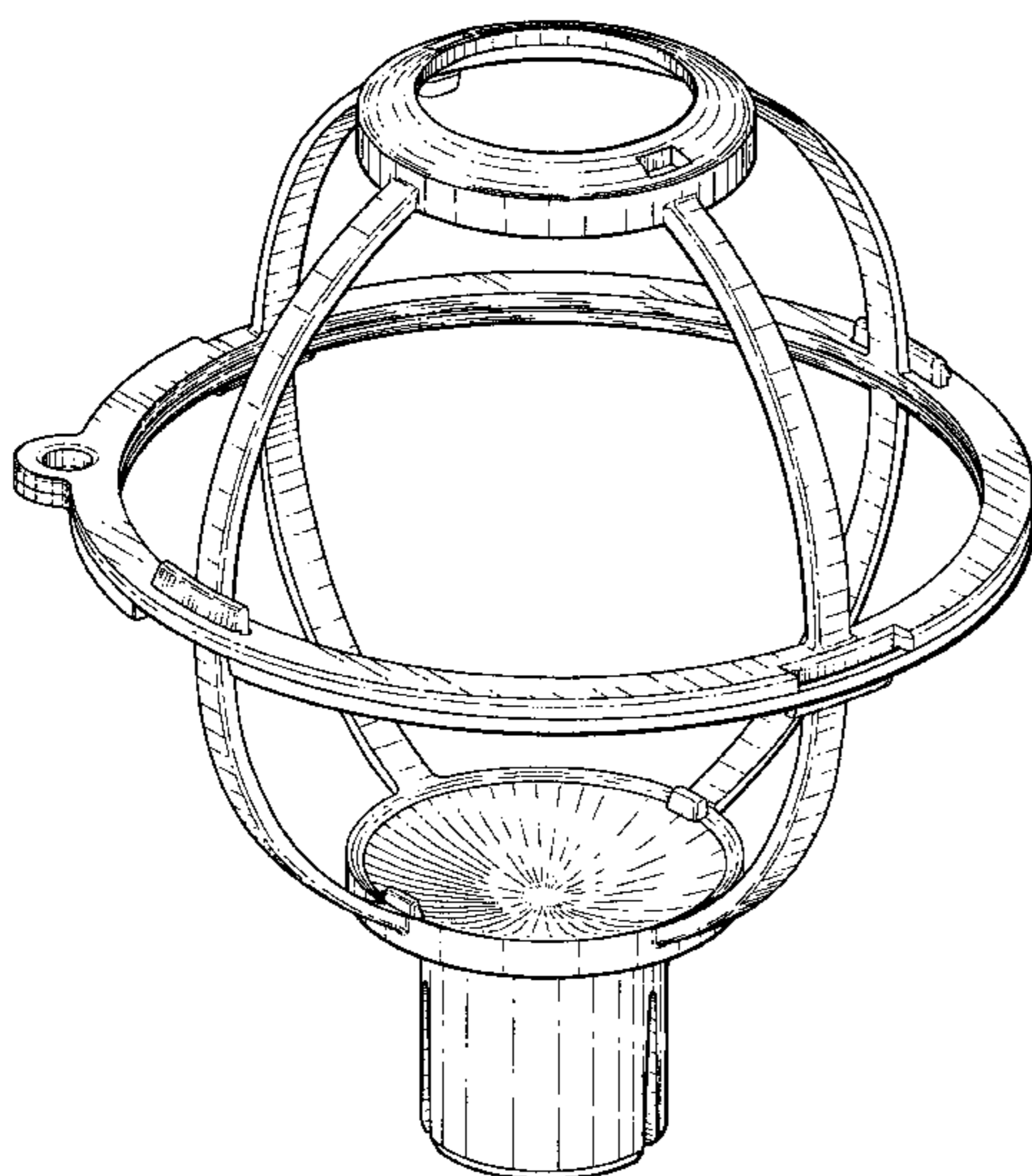
FIG. 11 is a left view of the cage of FIG. 8.

FIG. 12 is a top view of the cage of FIG. 8.

FIG. 13 is a rear view of the cage of FIG. 8; and,

FIG. 14 is a bottom view of the cage of FIG. 8.

1 Claim, 14 Drawing Sheets



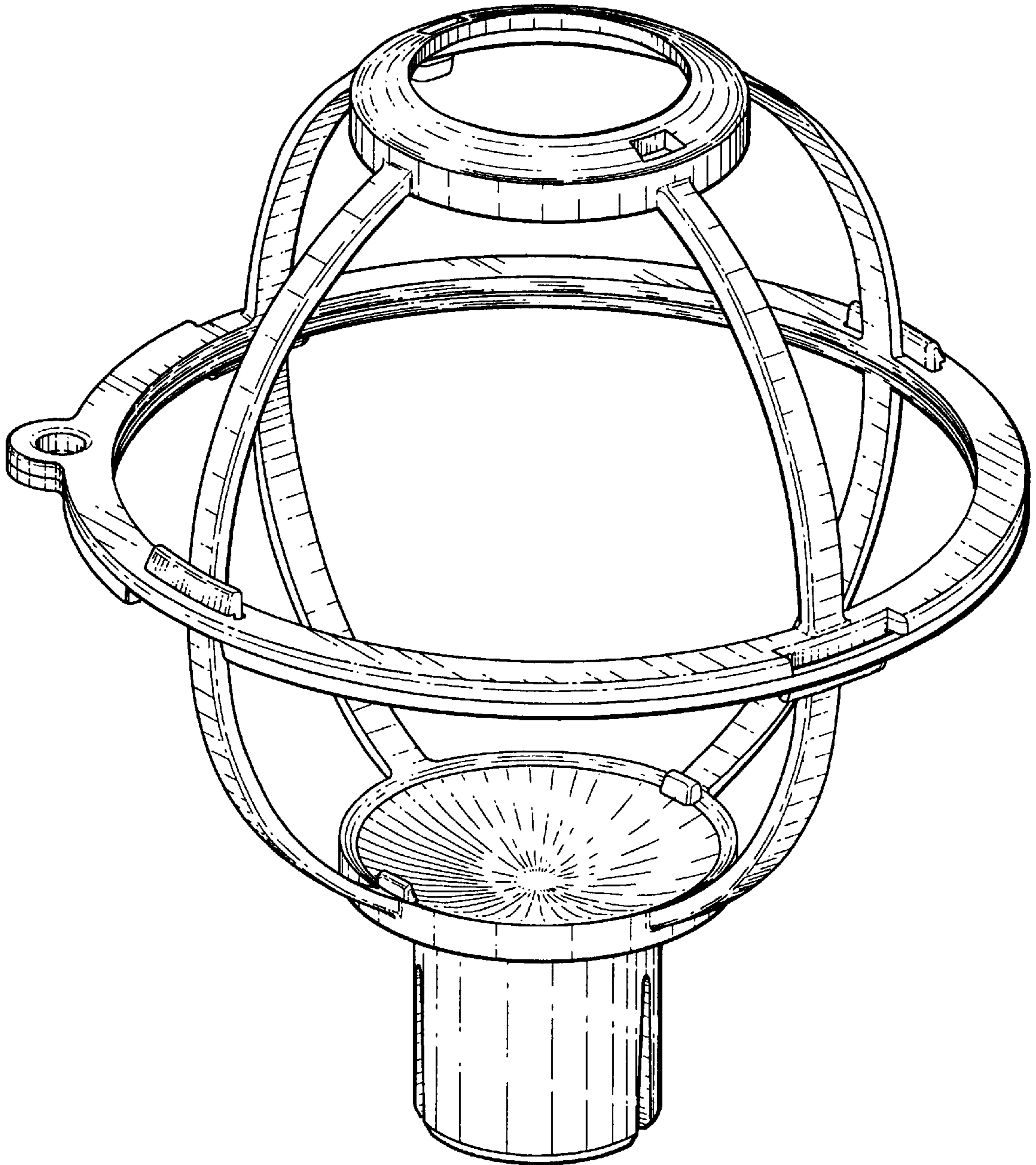


Fig. 1

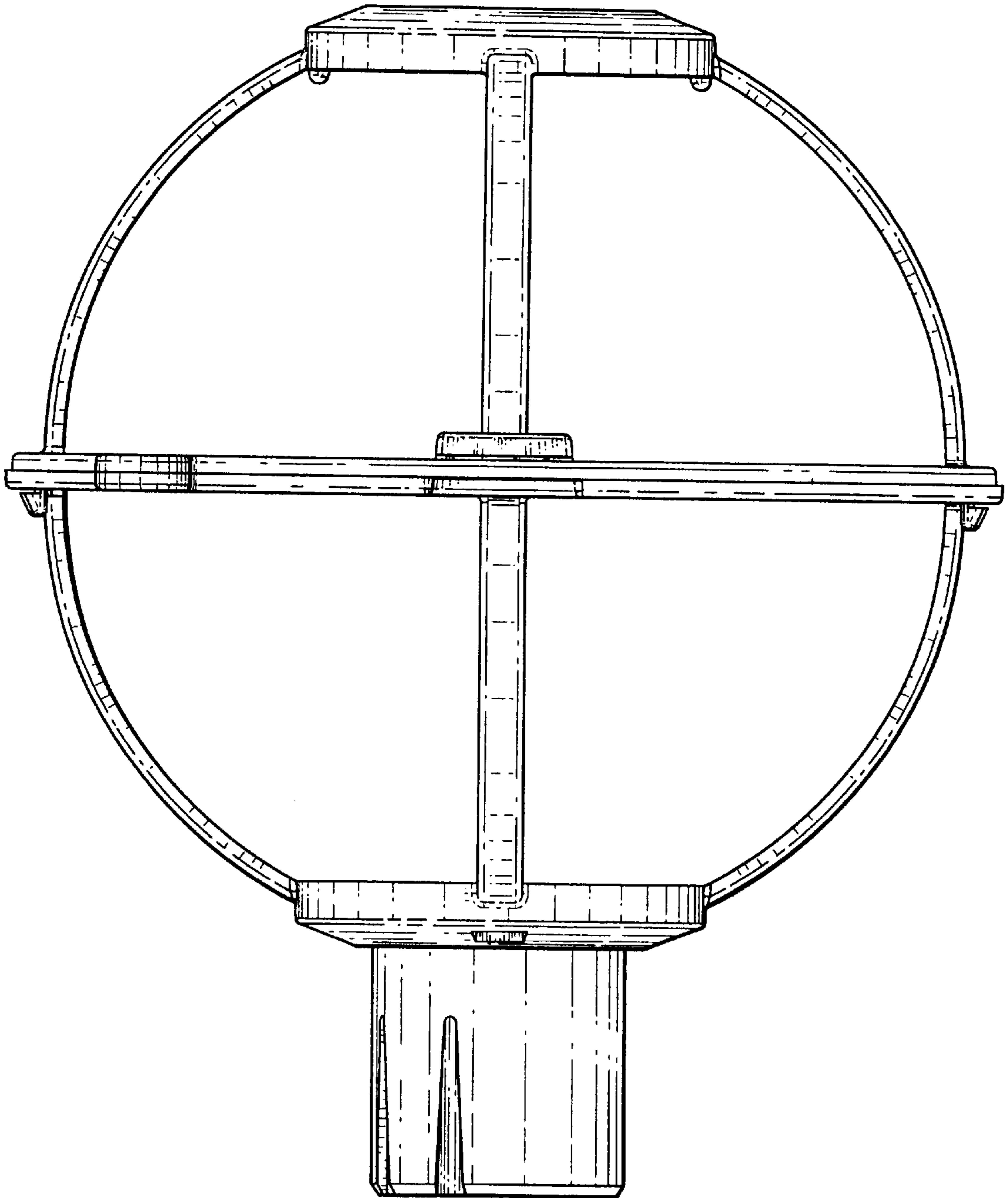


Fig. 2

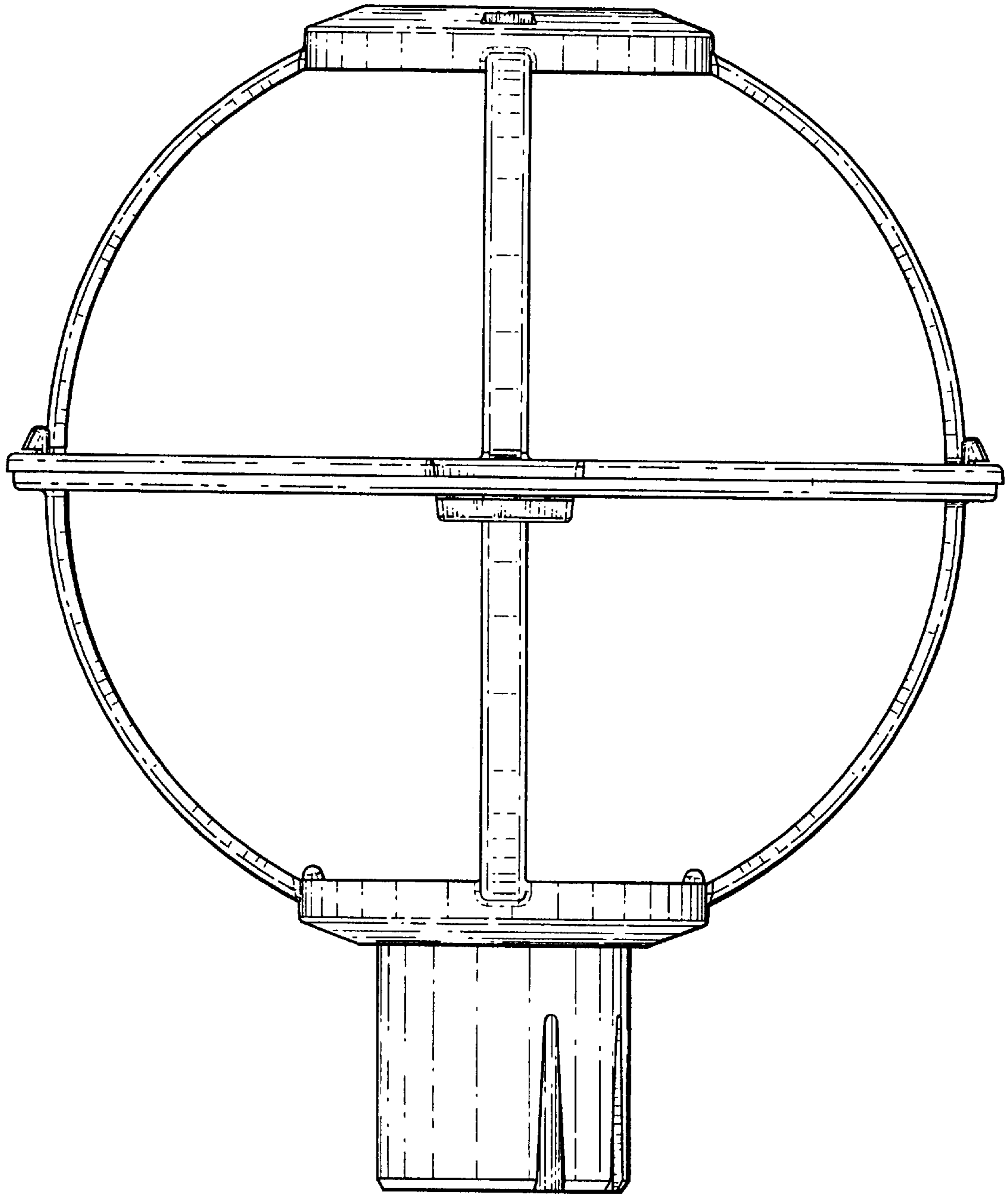


Fig. 3

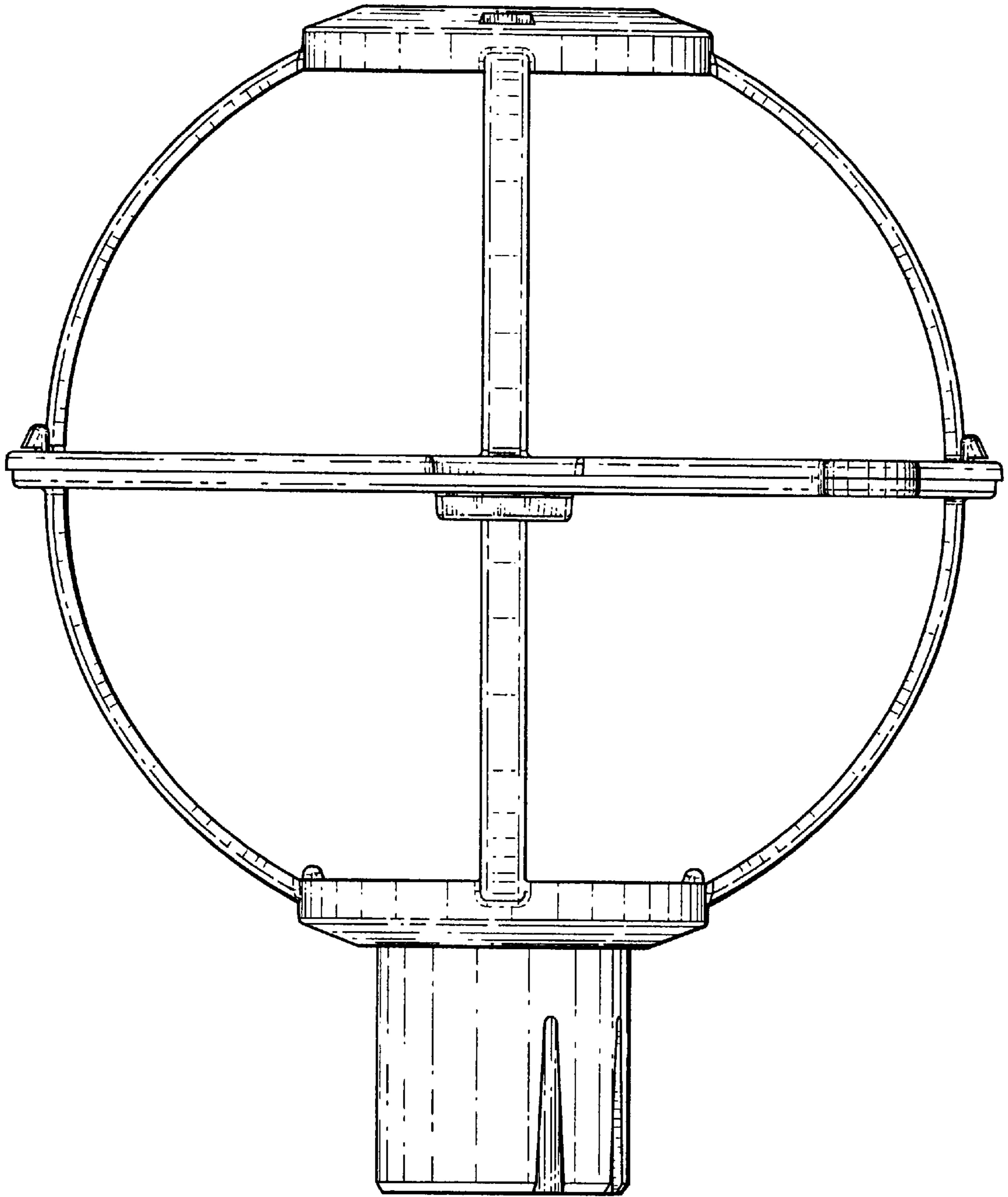


Fig. 4

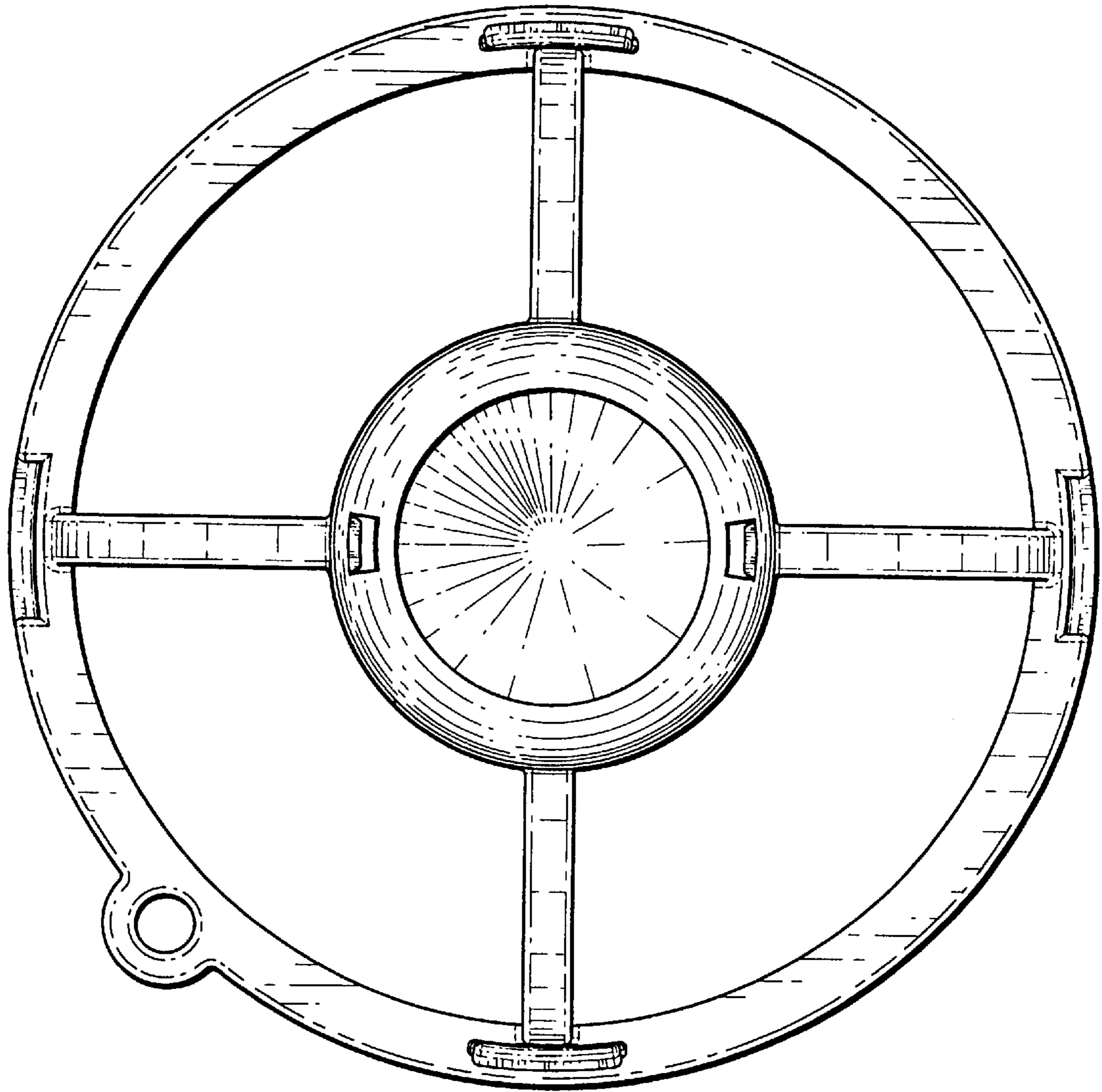


Fig. 5

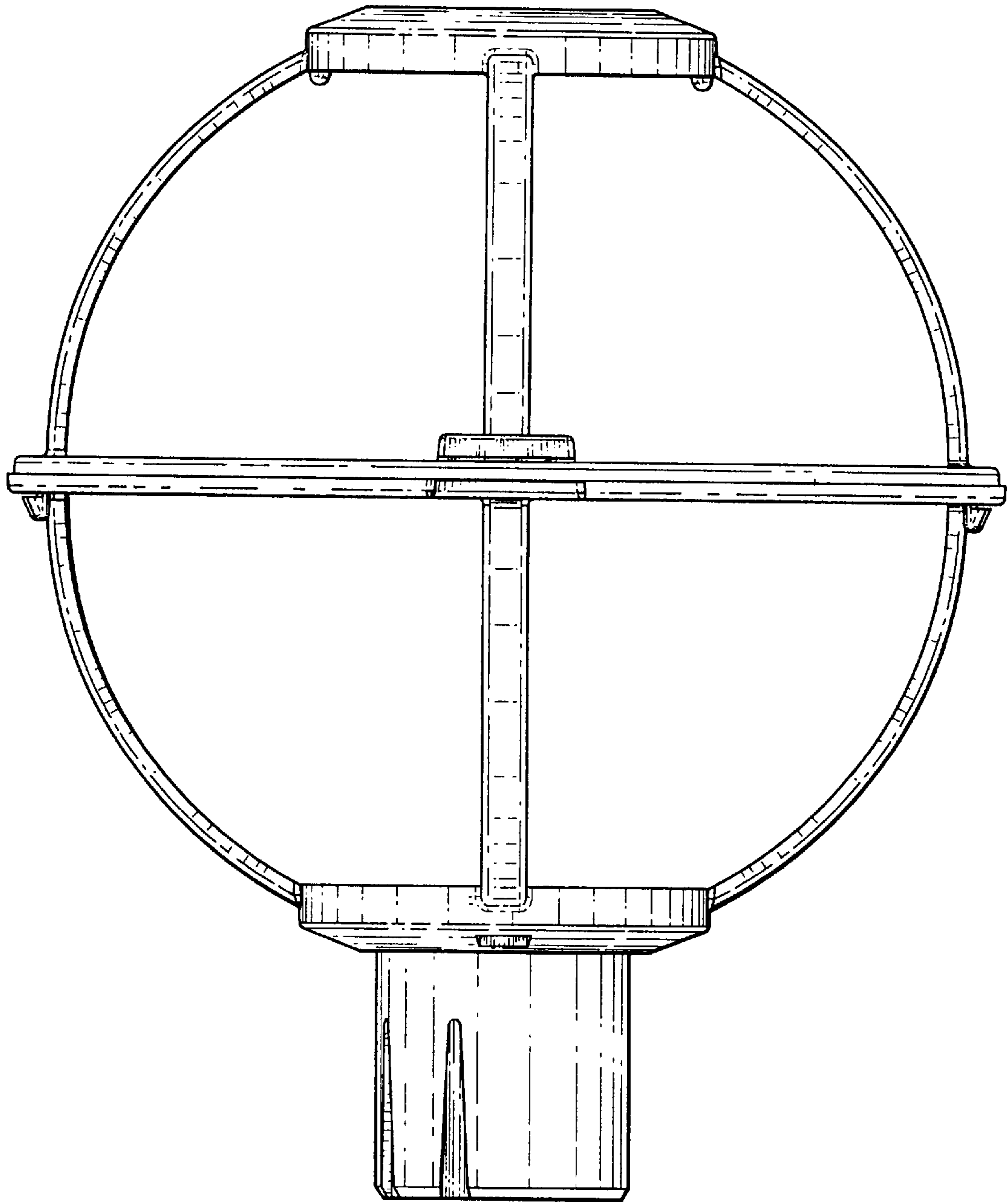


Fig. 6

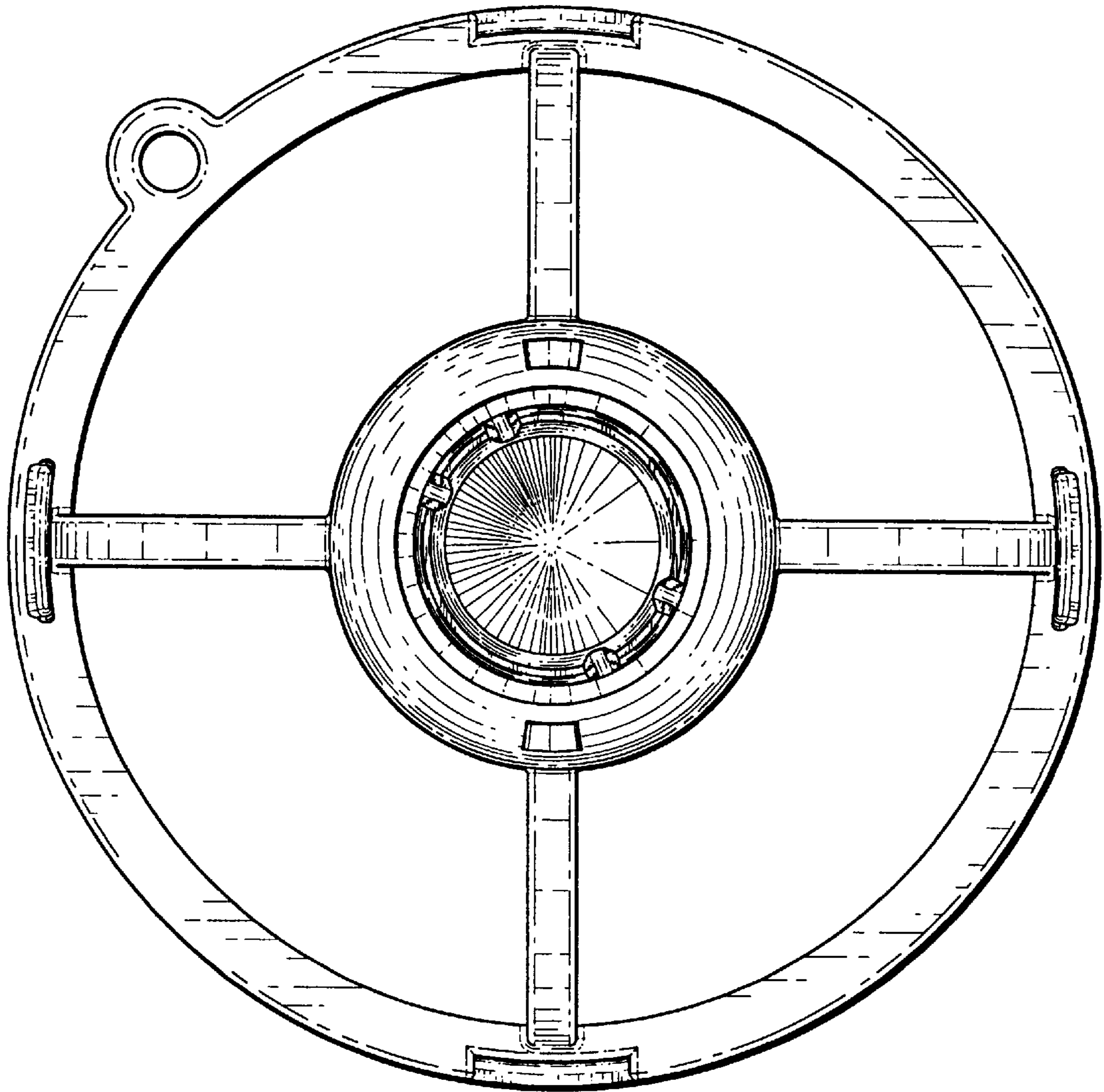


Fig. 7

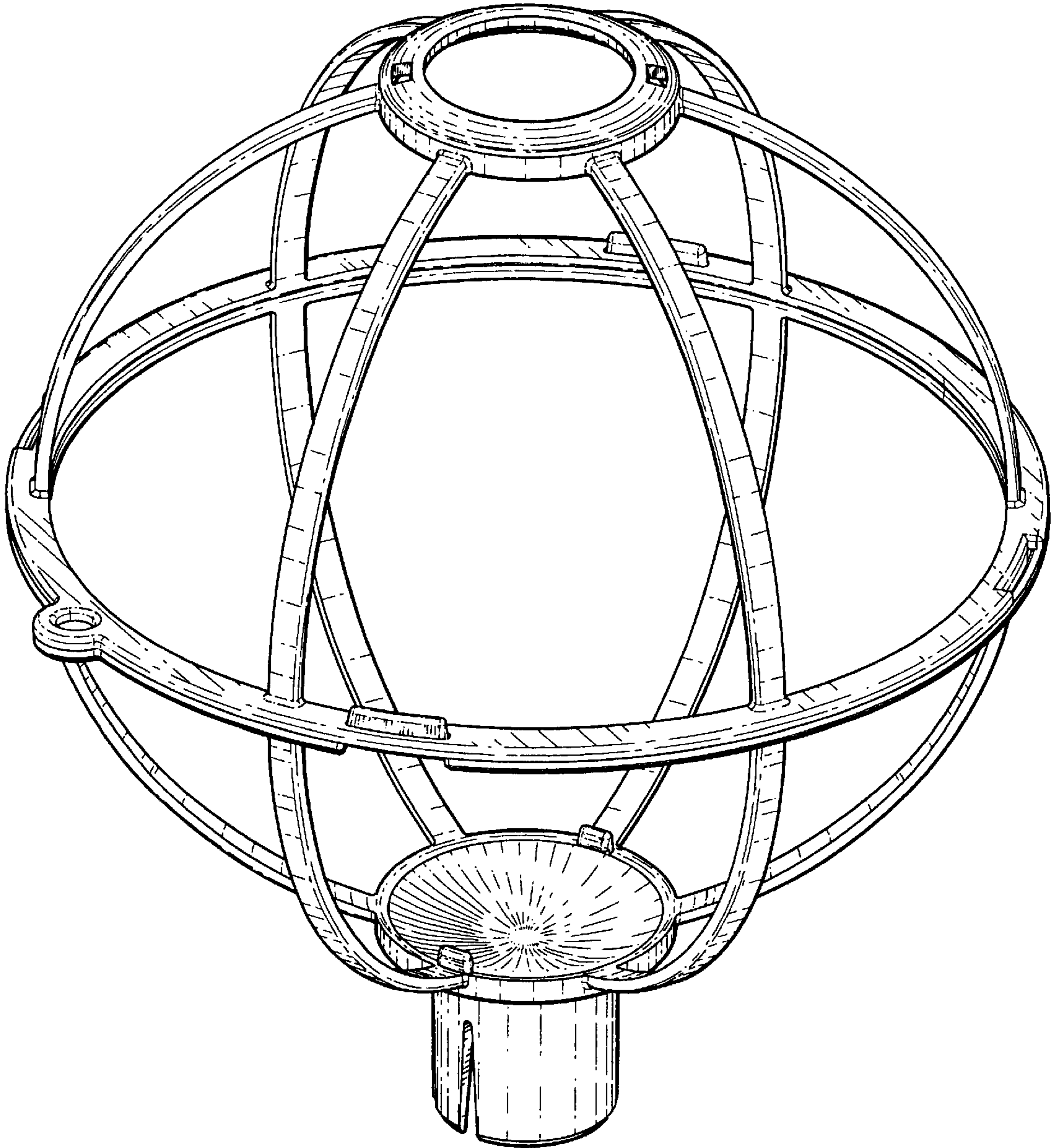


Fig. 8

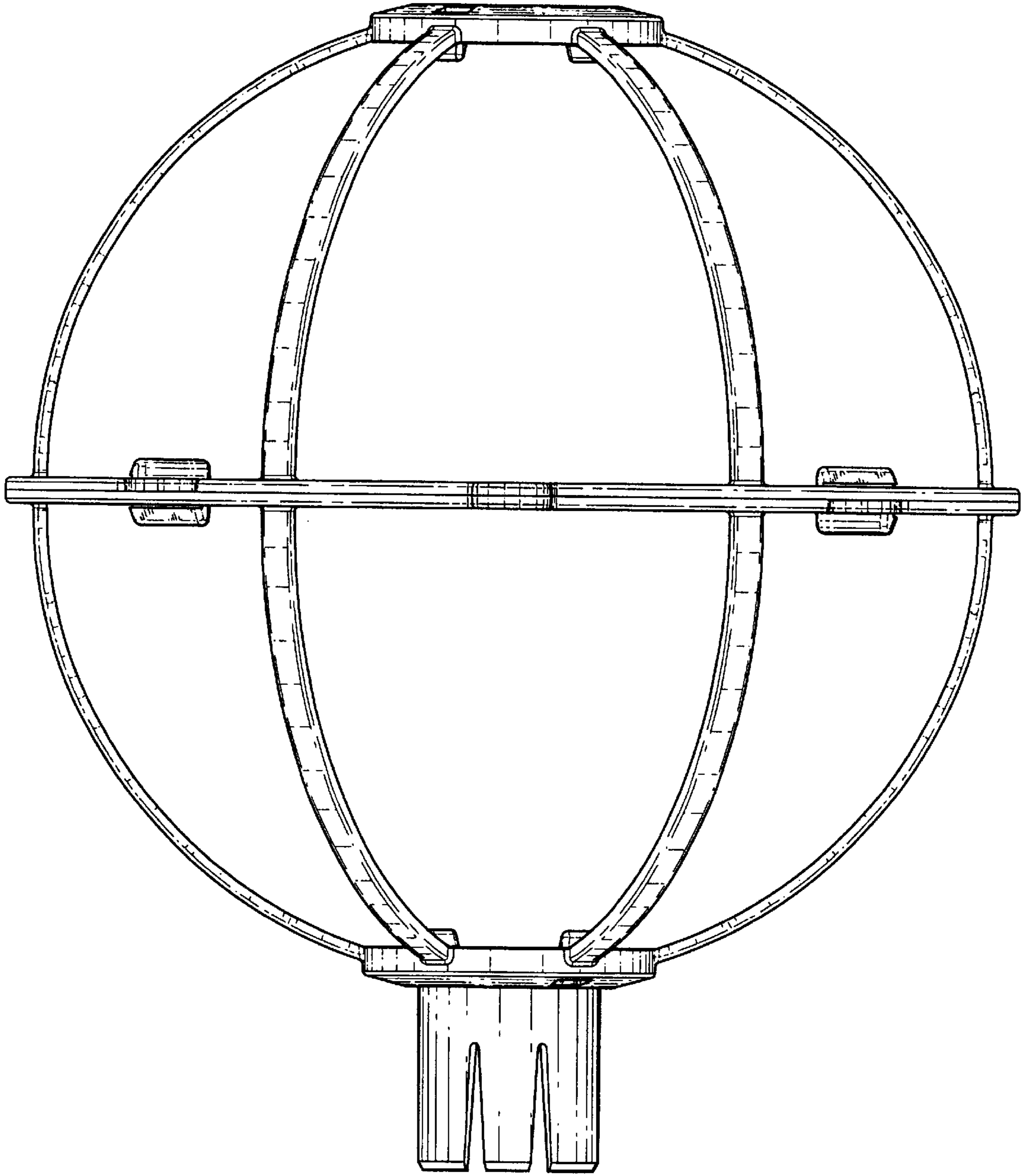


Fig. 9

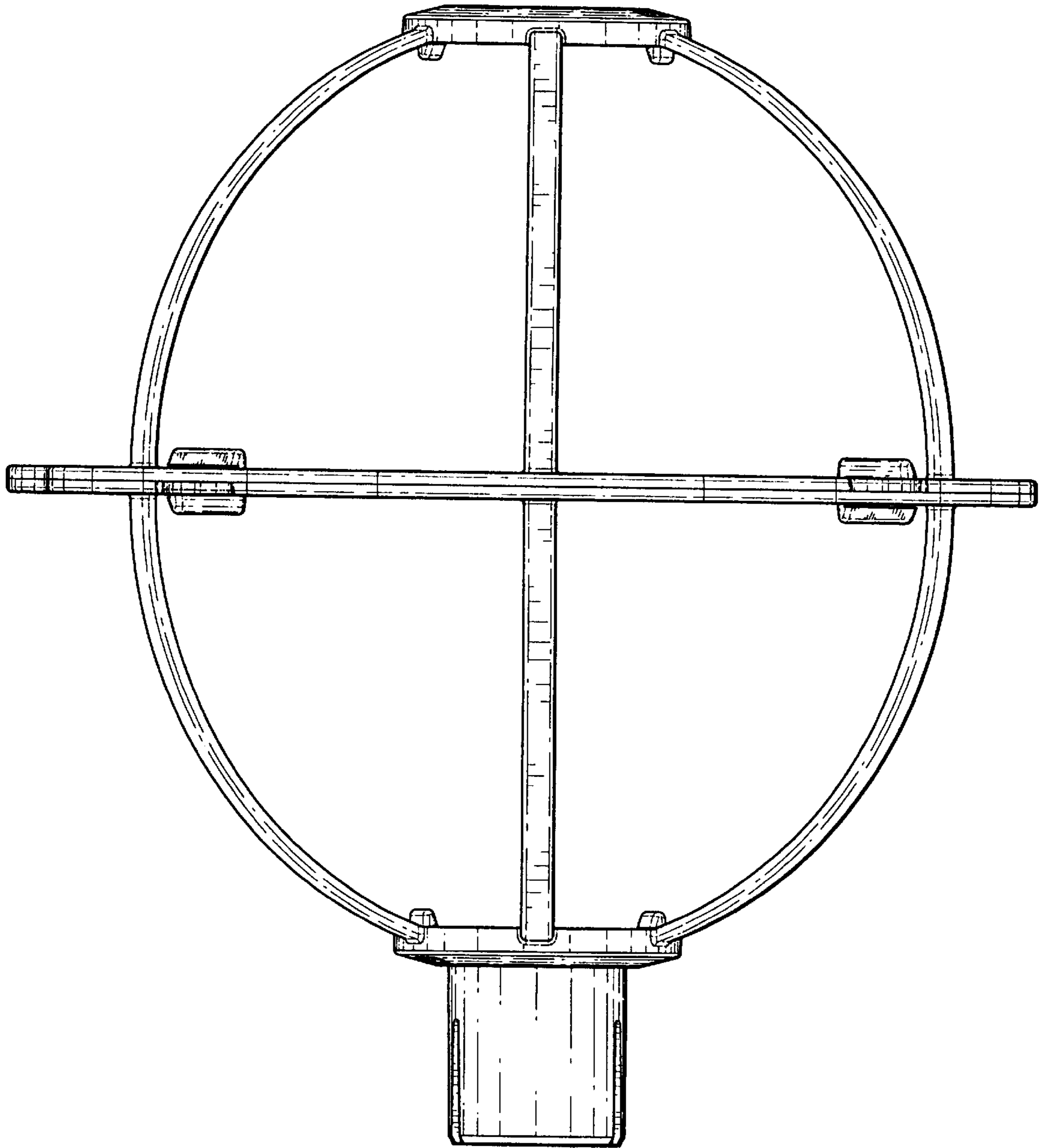


Fig. 10

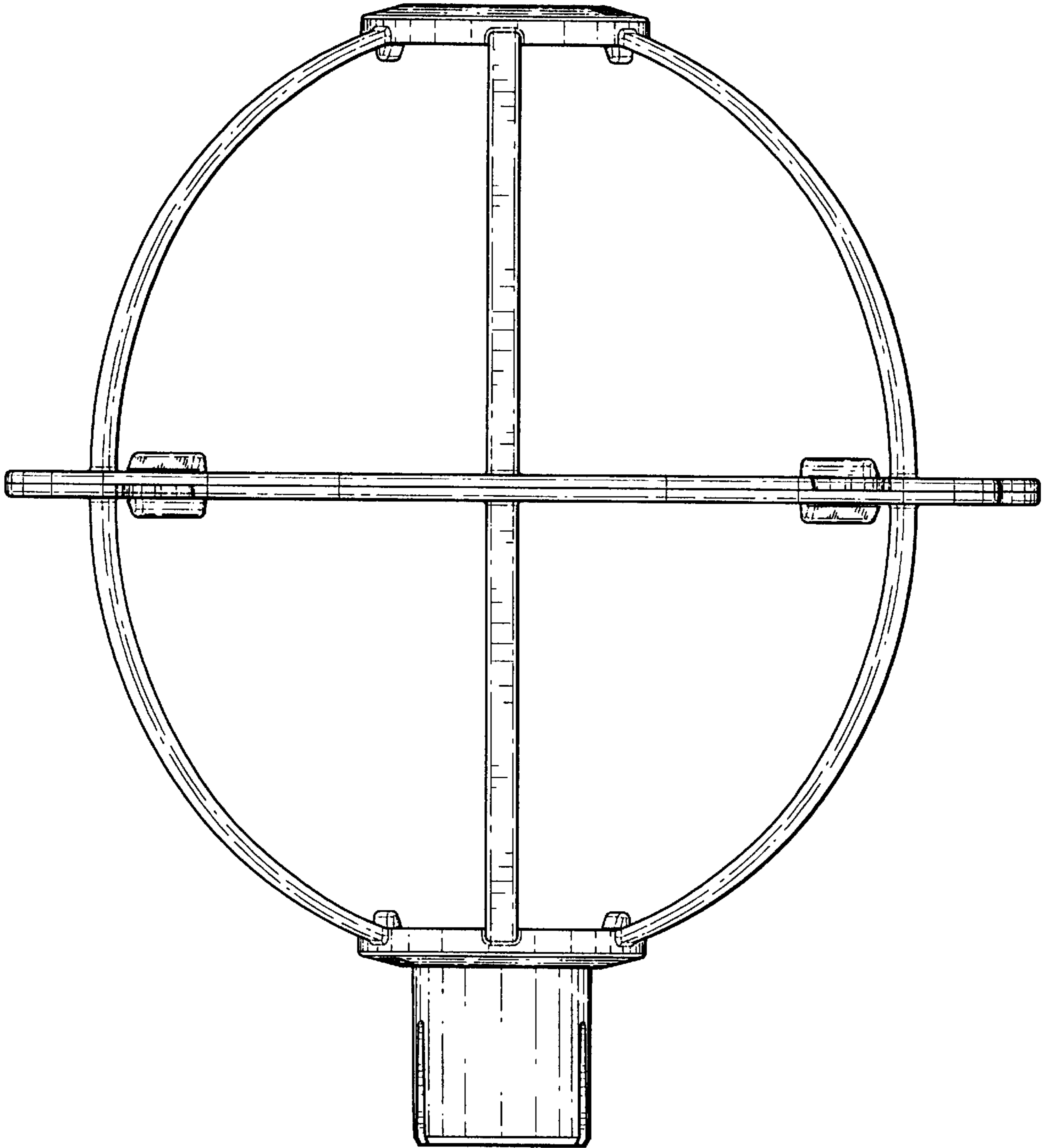


Fig. 11

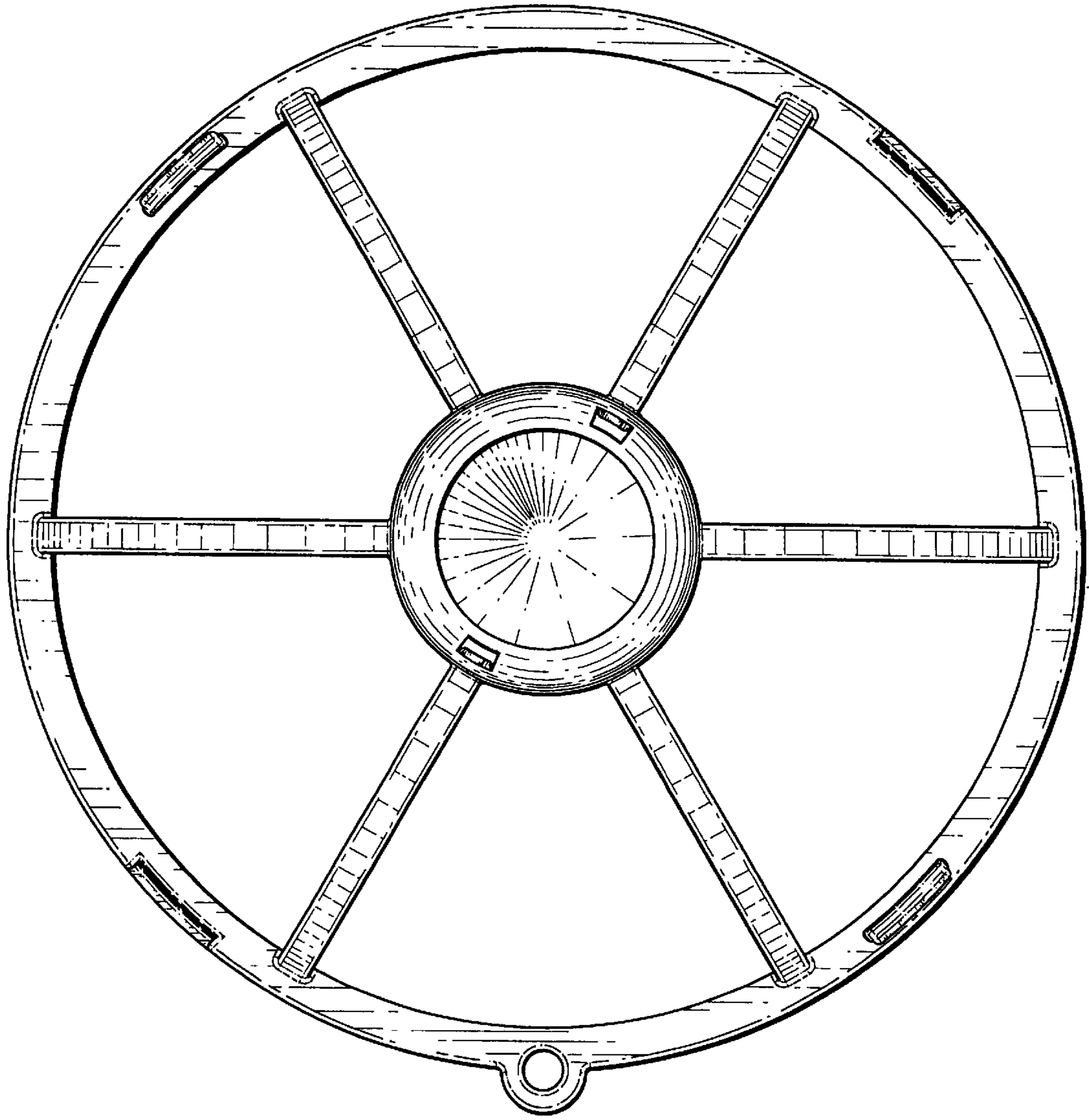


Fig. 12

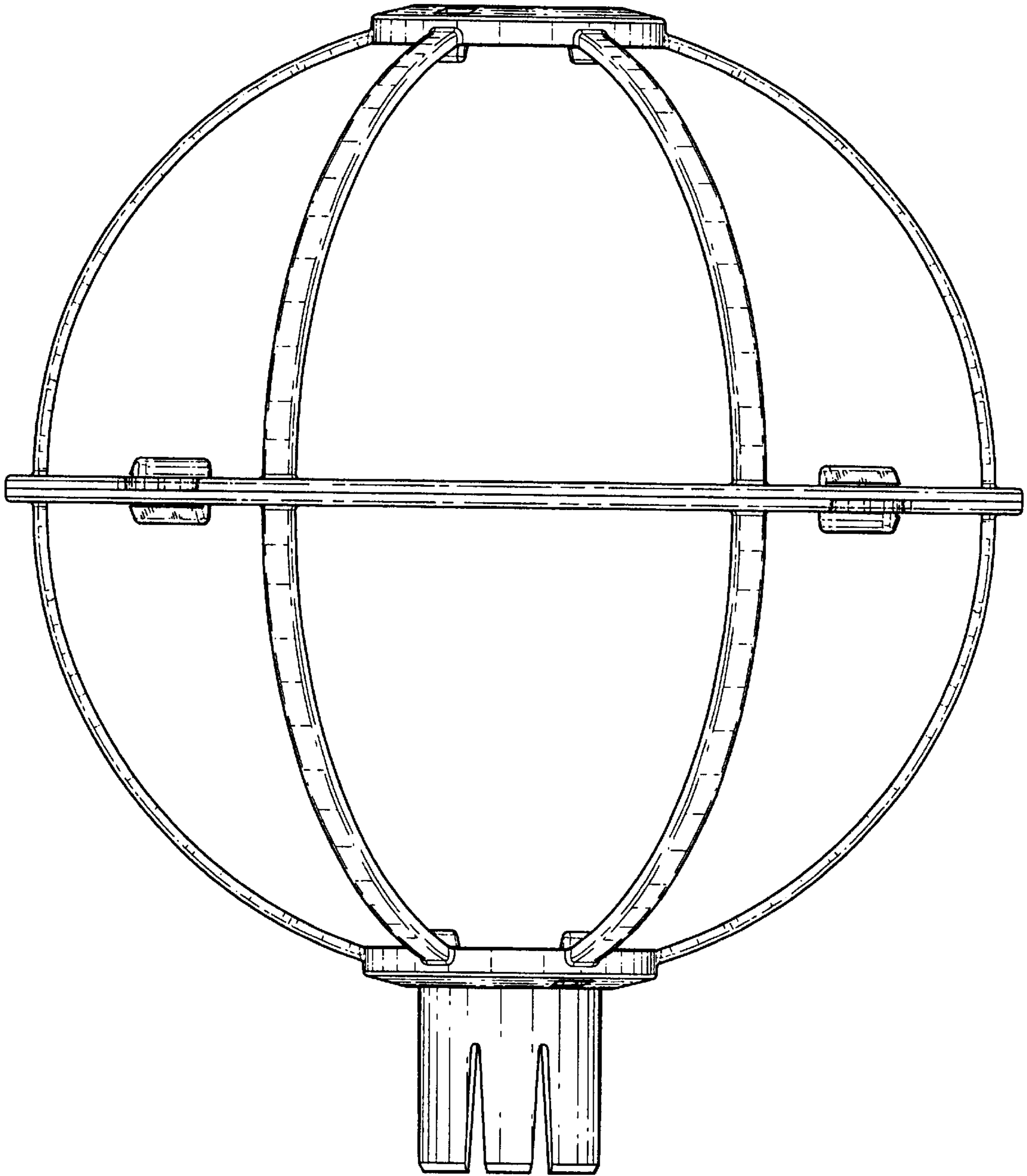


Fig. 13

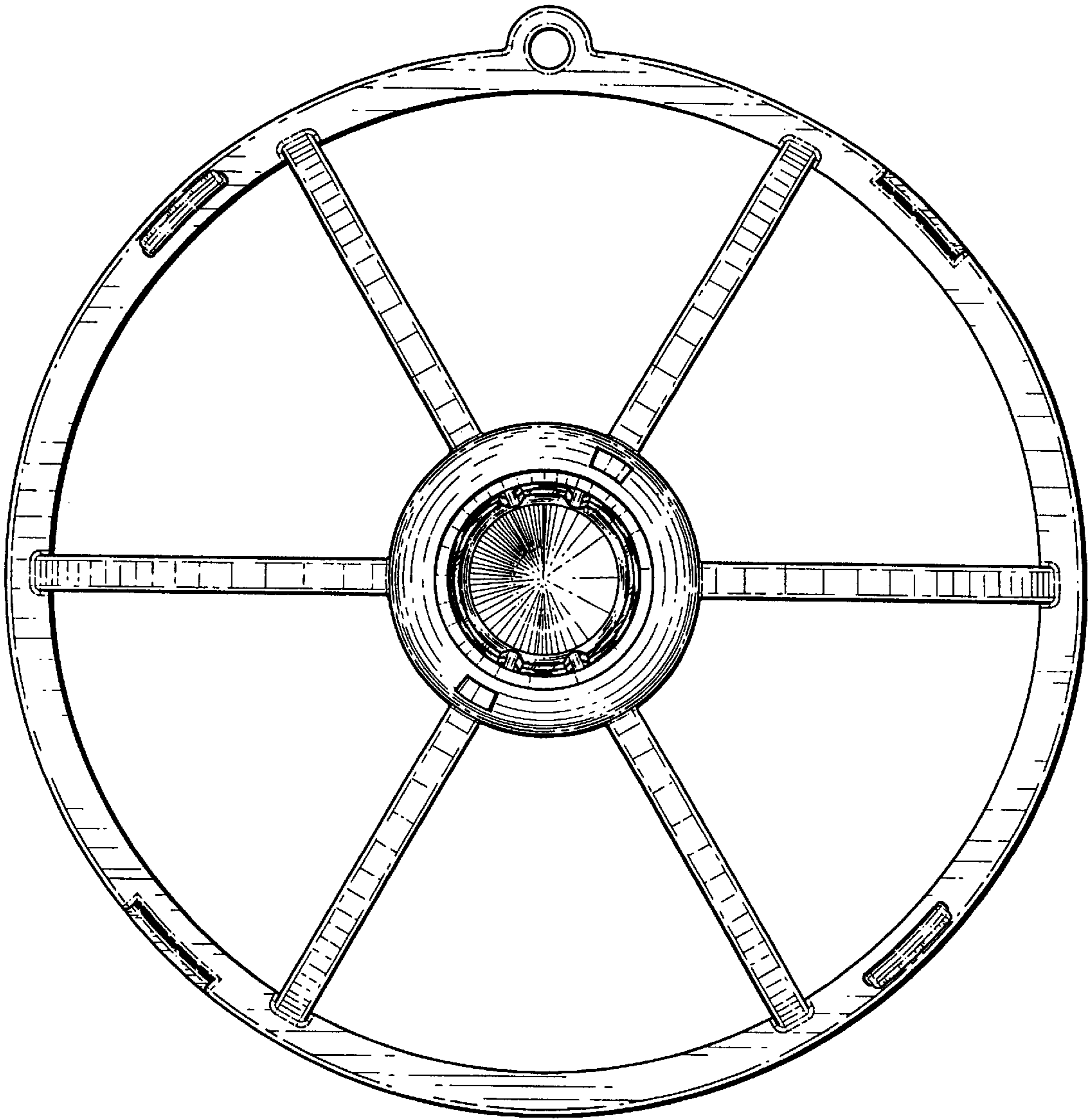


Fig. 14