



US00D455098S

(12) **United States Design Patent**  
**Stefanelli**

(10) **Patent No.:** **US D455,098 S**

(45) **Date of Patent:** **\*\* Apr. 2, 2002**

(54) **FINGER RING PROTECTING SLEEVE**

(76) **Inventor:** **Cesare Stefanelli**, 8 Ivy Ct., East Hanover, NJ (US) 07936

(\*\*) **Term:** **14 Years**

(21) **Appl. No.:** **29/131,413**

(22) **Filed:** **Oct. 20, 2000**

(51) **LOC (7) Cl.** ..... **11-01**

(52) **U.S. Cl.** ..... **D11/86; D11/26**

(58) **Field of Search** ..... D11/26-39, 1-5, D11/86; 63/15, 15.1, 15.2, 15.3, 15.4, 15.45, 15.5, 15.6, 15.65, 15.7, 15.8, 15.9, 26-28, 3, 3.1, 3.2, 33

(56) **References Cited**

**U.S. PATENT DOCUMENTS**

135,712 A	*	2/1873	Jenks	.....	D11/26
1,087,015 A	*	2/1914	Heylmun	.....	63/15
1,970,041 A	*	8/1934	Johnson	.....	63/3
2,182,876 A	*	12/1939	Moldenhauer	.....	63/15
D187,813 S	*	5/1960	Livingston	.....	D11/86
3,465,543 A	*	9/1969	Baker	.....	63/15.5
3,566,616 A	*	3/1971	Benedict, Jr.	.....	63/15.7
3,933,010 A	*	1/1976	Ulbrich	.....	63/15.6

4,845,777 A	*	7/1989	Mersinas	.....	63/15.7
5,027,617 A	*	7/1991	Bonchek	.....	63/15.3
D331,724 S	*	12/1992	Klein	.....	D11/26
D337,543 S	*	7/1993	Caldow	.....	D11/26
5,727,399 A	*	3/1998	Bergagnini	.....	63/15.4
6,003,334 A	*	12/1999	Miller	.....	63/15.5
6,062,045 A	*	5/2000	West	.....	63/15
6,094,747 A	*	8/2000	Malick	.....	63/15.8

\* cited by examiner

*Primary Examiner*—Cathy Anne MacCormac

(74) *Attorney, Agent, or Firm*—Goldstein Law Offices, P.C.

(57) **CLAIM**

The ornamental design for a finger ring protecting sleeve, as shown and described.

**DESCRIPTION**

FIG. 1 is a perspective view of a finger ring protecting sleeve;  
FIG. 2 is a front elevational view thereof, the rear elevational view being a mirror image of the front view;  
FIG. 3 is a bottom plan view thereof;  
FIG. 4 is a top plan view thereof;  
FIG. 5 is a left side elevational view thereof; and,  
FIG. 6 is a right side elevational view thereof.

**1 Claim, 2 Drawing Sheets**

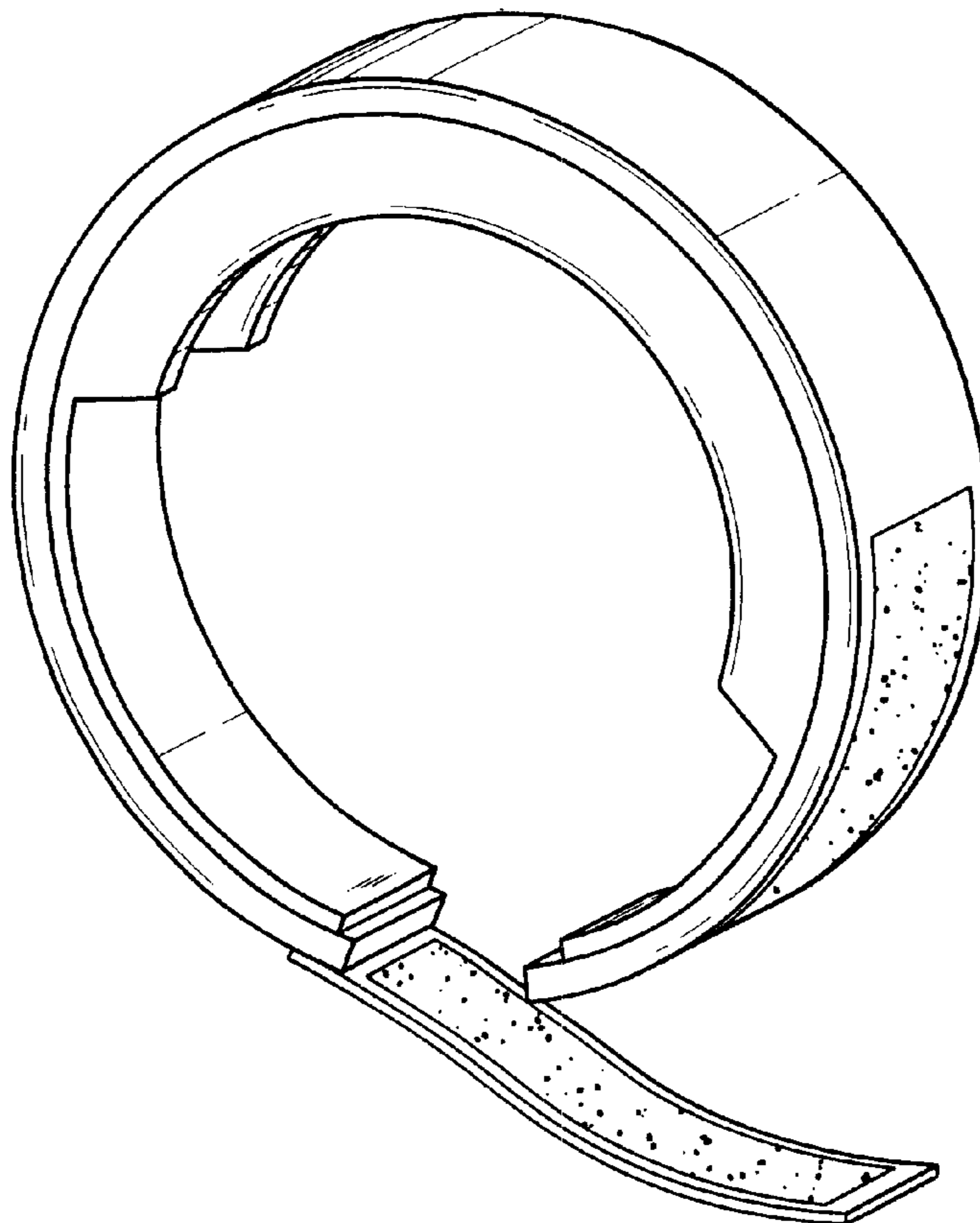


Fig. 1

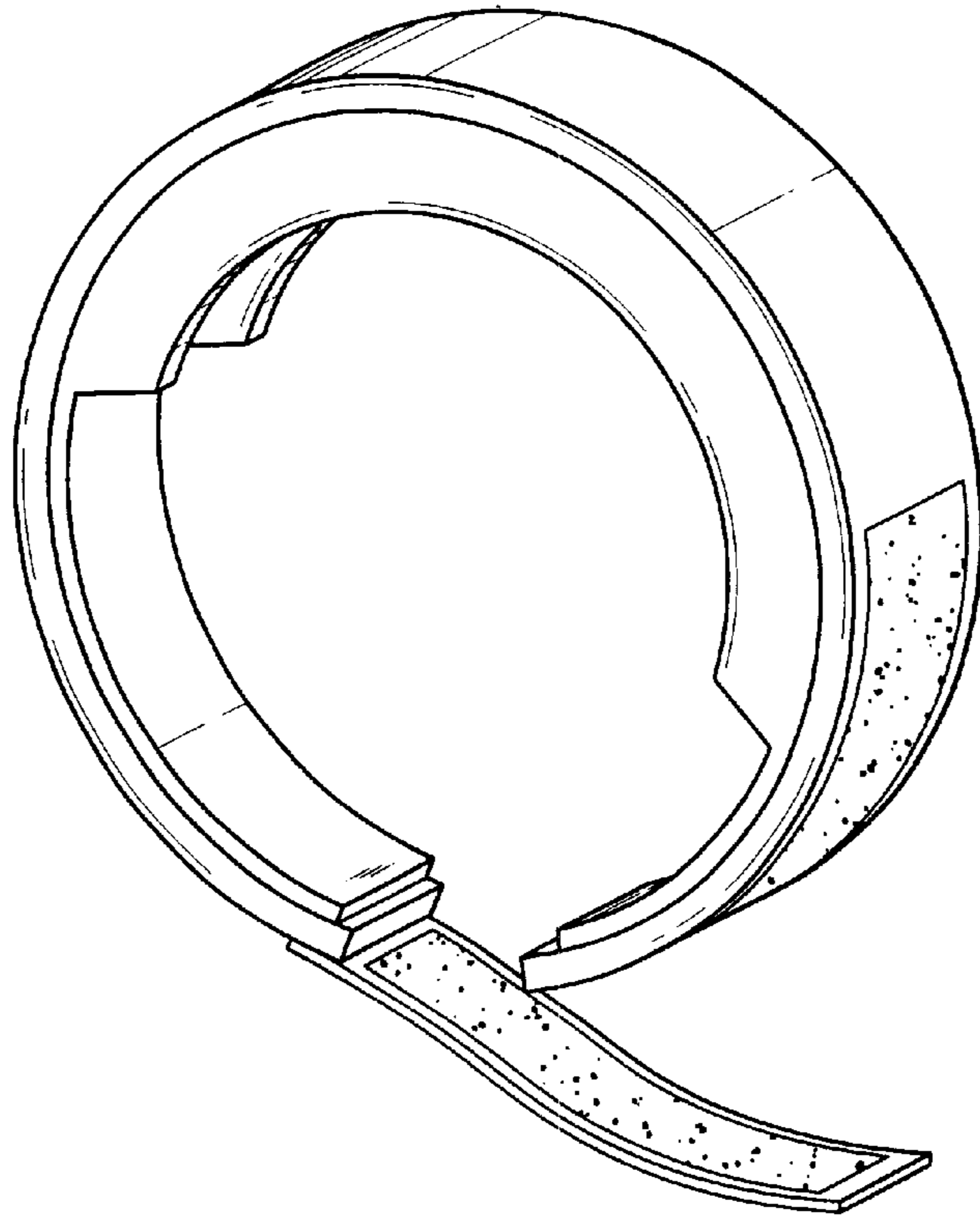
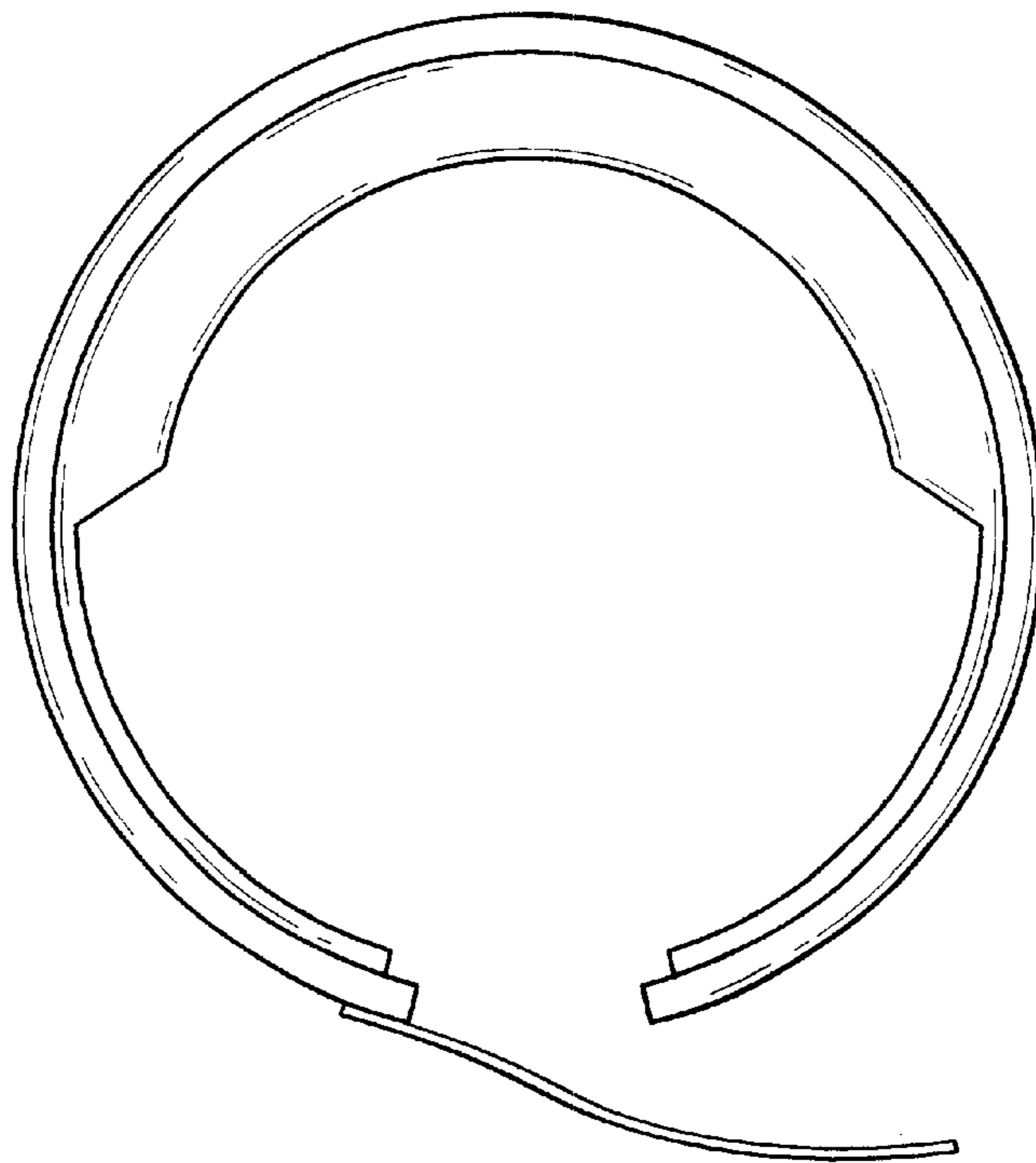


Fig. 2



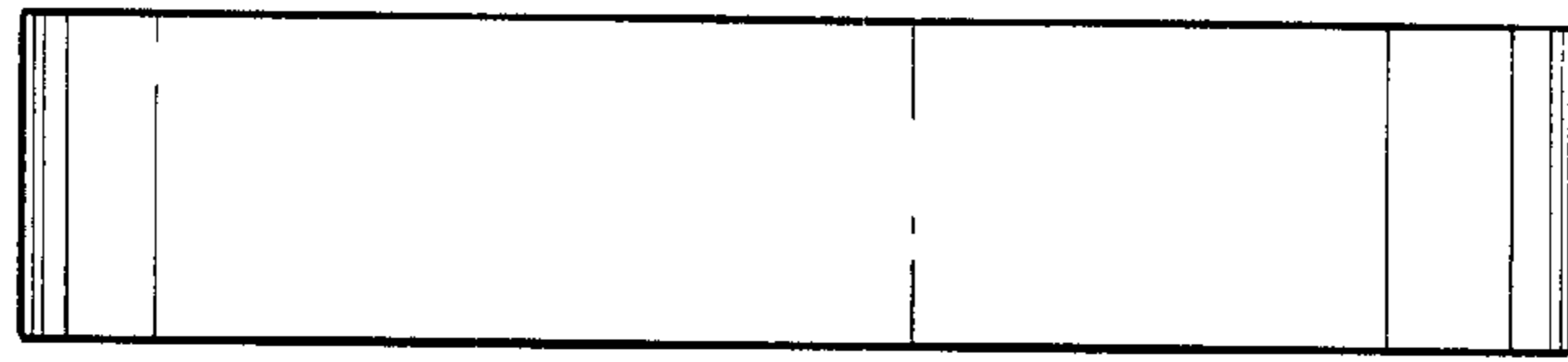


FIG. 3

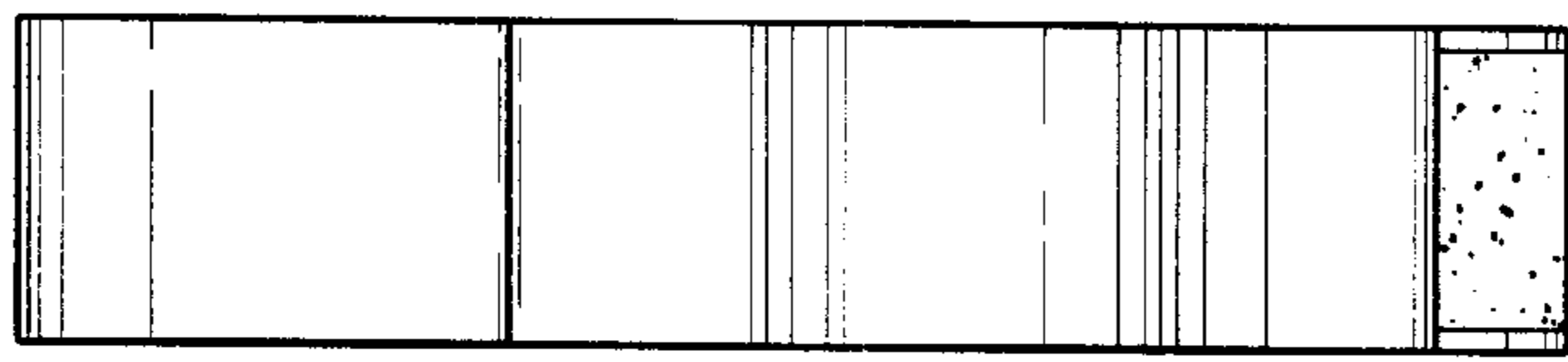


FIG. 4

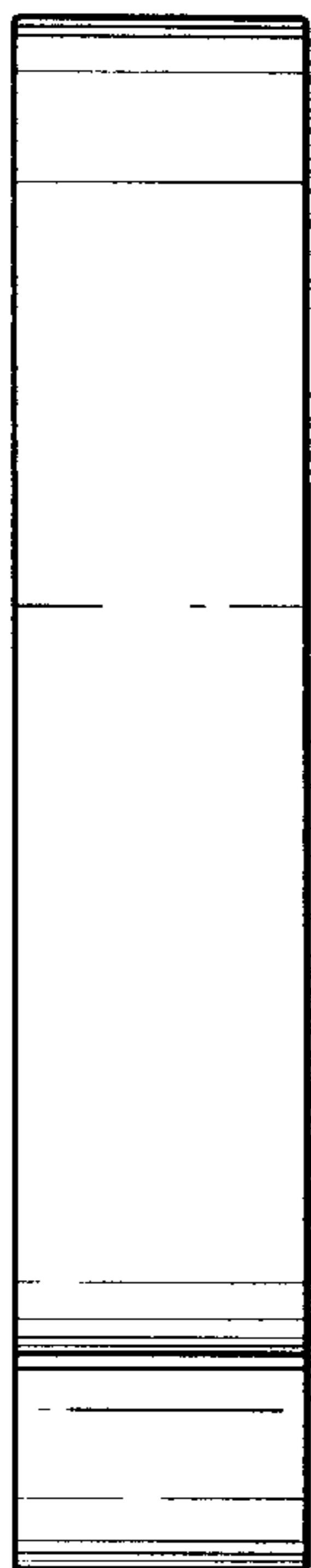


FIG. 5

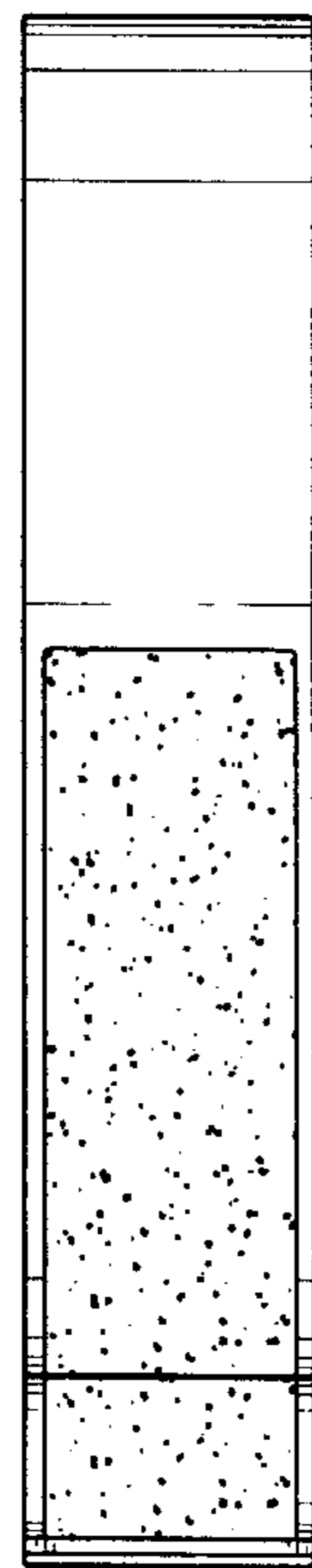


FIG. 6